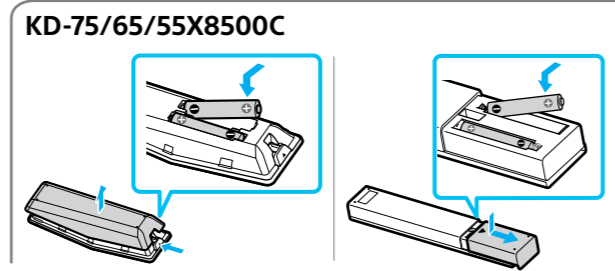
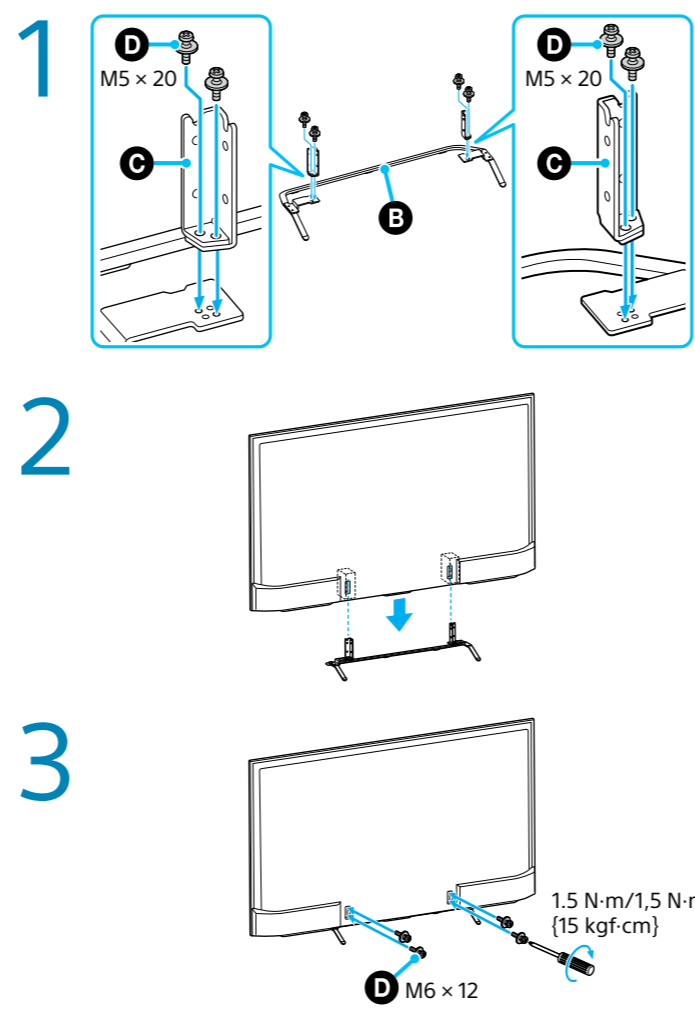


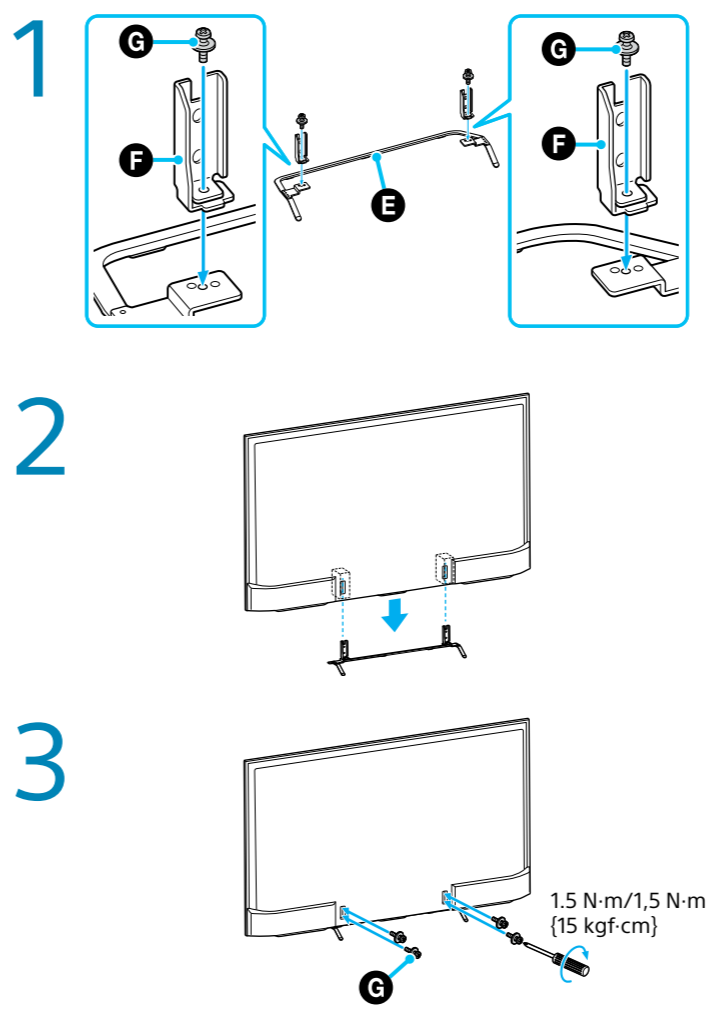
\* Only on limited region/country/TV model.



**KD-75/65X8500C**

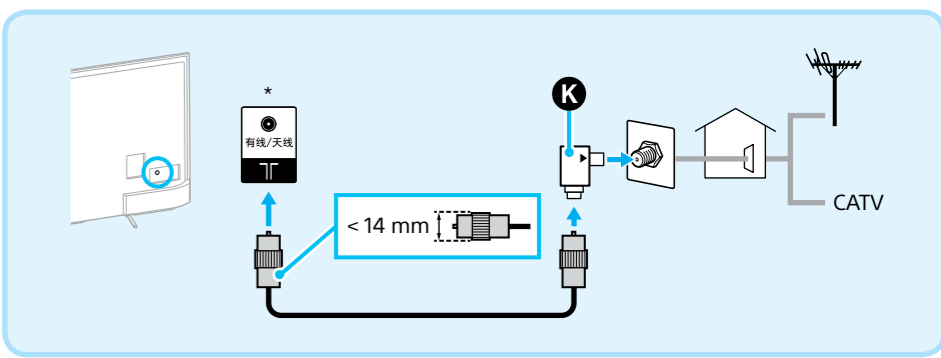


**KD-55X8500C, KD-49/43X8300C**

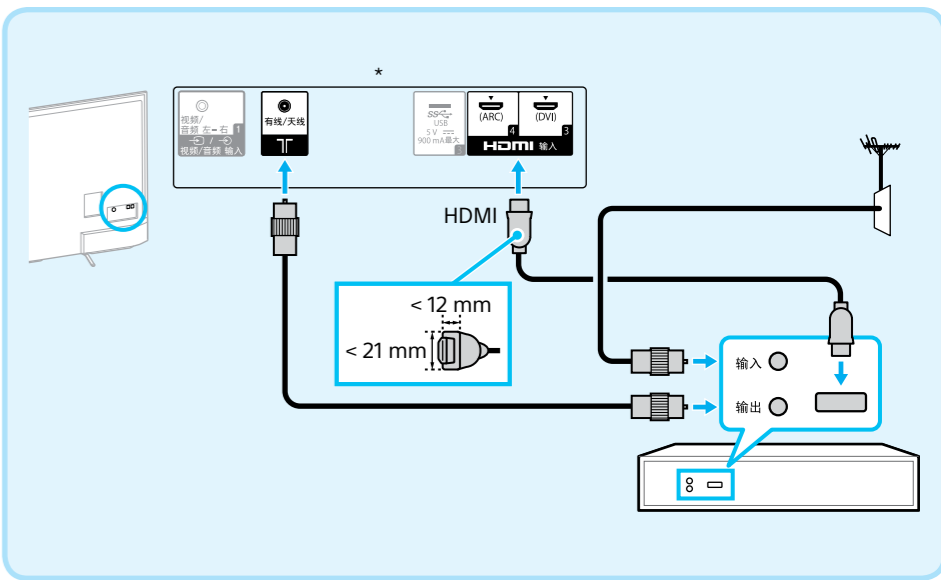


Refer to "Safety Information" in the Reference Guide before transporting the TV.

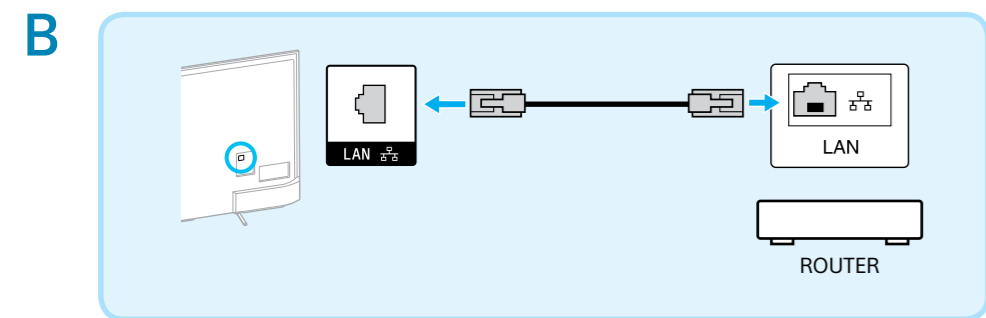
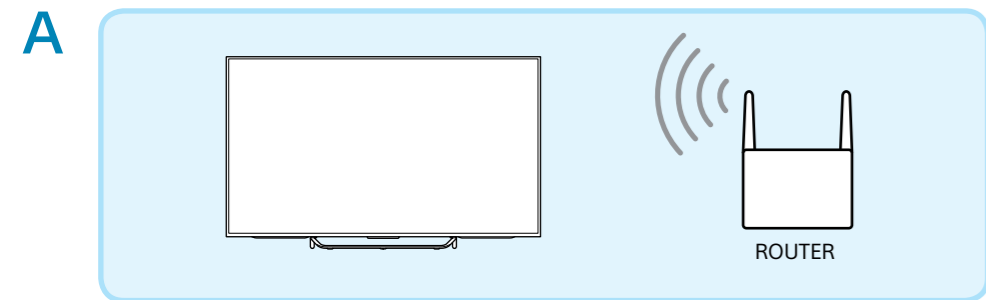
**A**



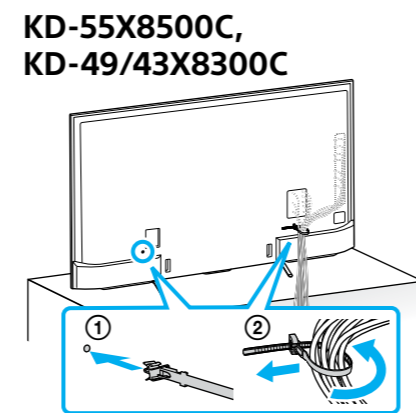
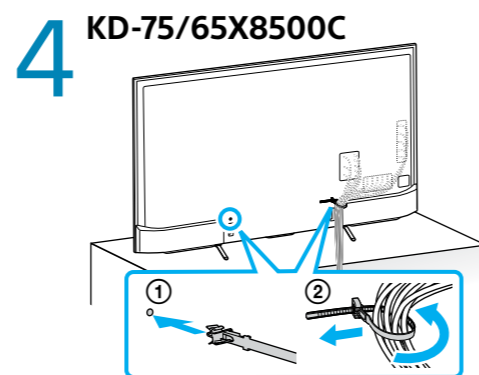
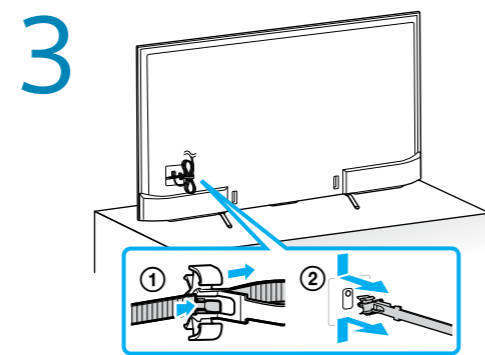
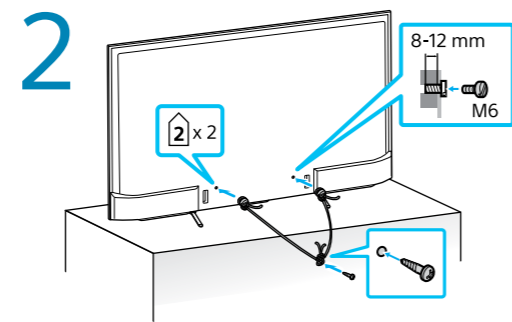
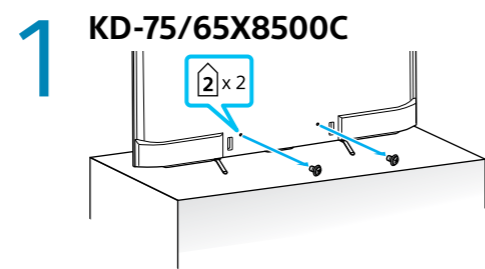
**B**



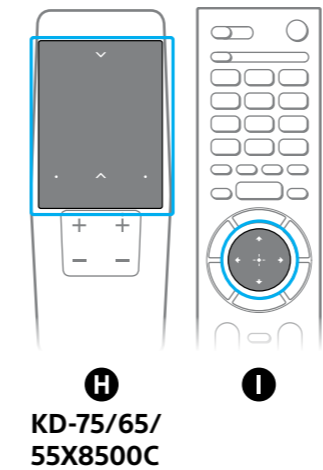
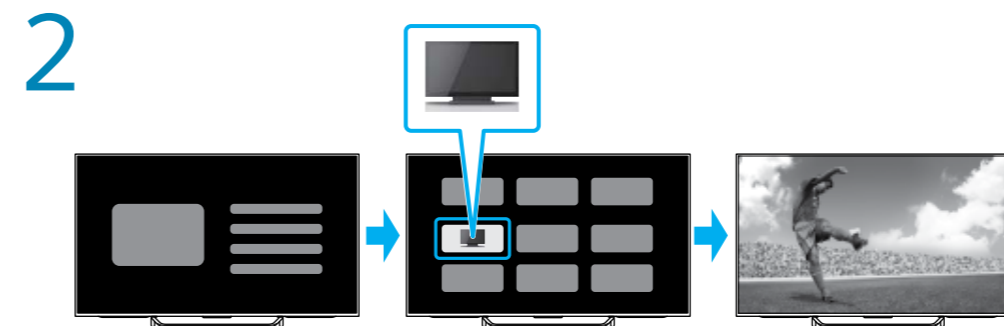
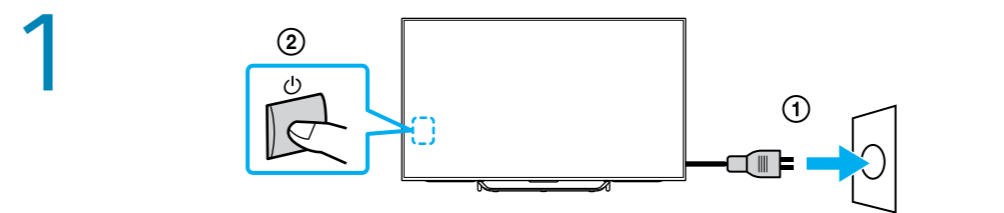
Connections for antenna (aerial) or cable (A), with set top box (B). Select HDMI for connection.  
\* Terminals and labels may vary depending on TV model.



Internet connection wireless (A), wired (use category 7 LAN cable) (B). Refer to the manual supplied with the router for the router's settings.

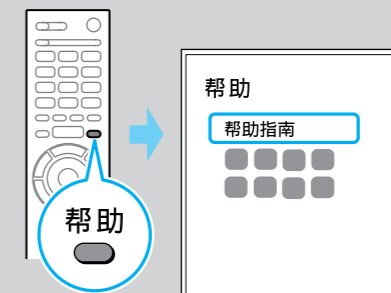


Installation Do not bundle the AC power cord (mains lead) together with other cables.



**KD-75/65/  
55X8500C**

Turn on the TV and perform the initial setup.



[http://rd1.sony.net/help/tv/cch1/h\\_ch/](http://rd1.sony.net/help/tv/cch1/h_ch/)

**Help Guide** : Information on how to use the TV's features. Available on both the TV and the Web.

<http://service.sony.com.cn/TV/index.htm>