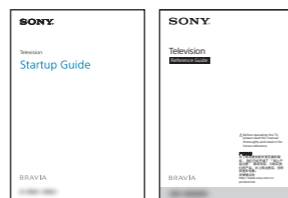
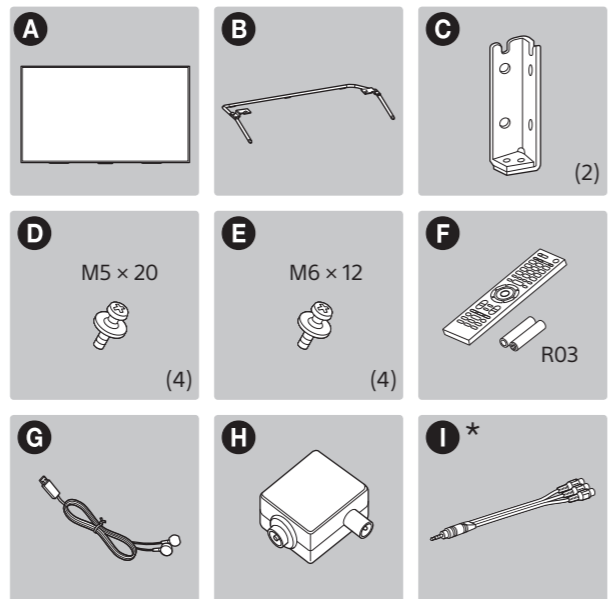


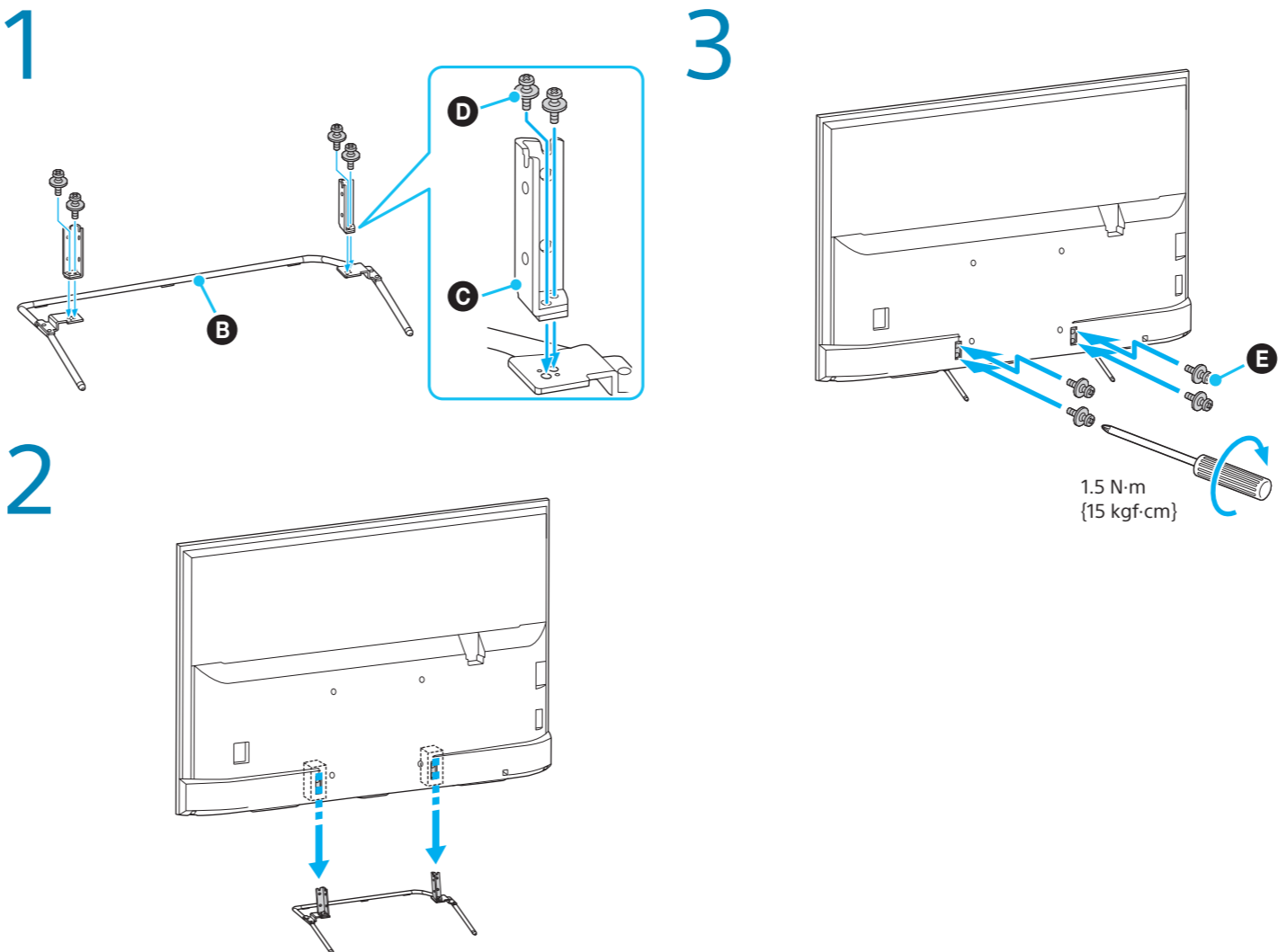
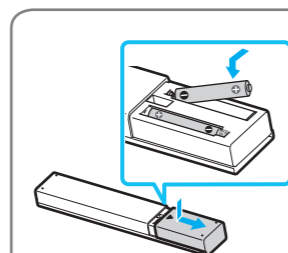
SONY®

Television

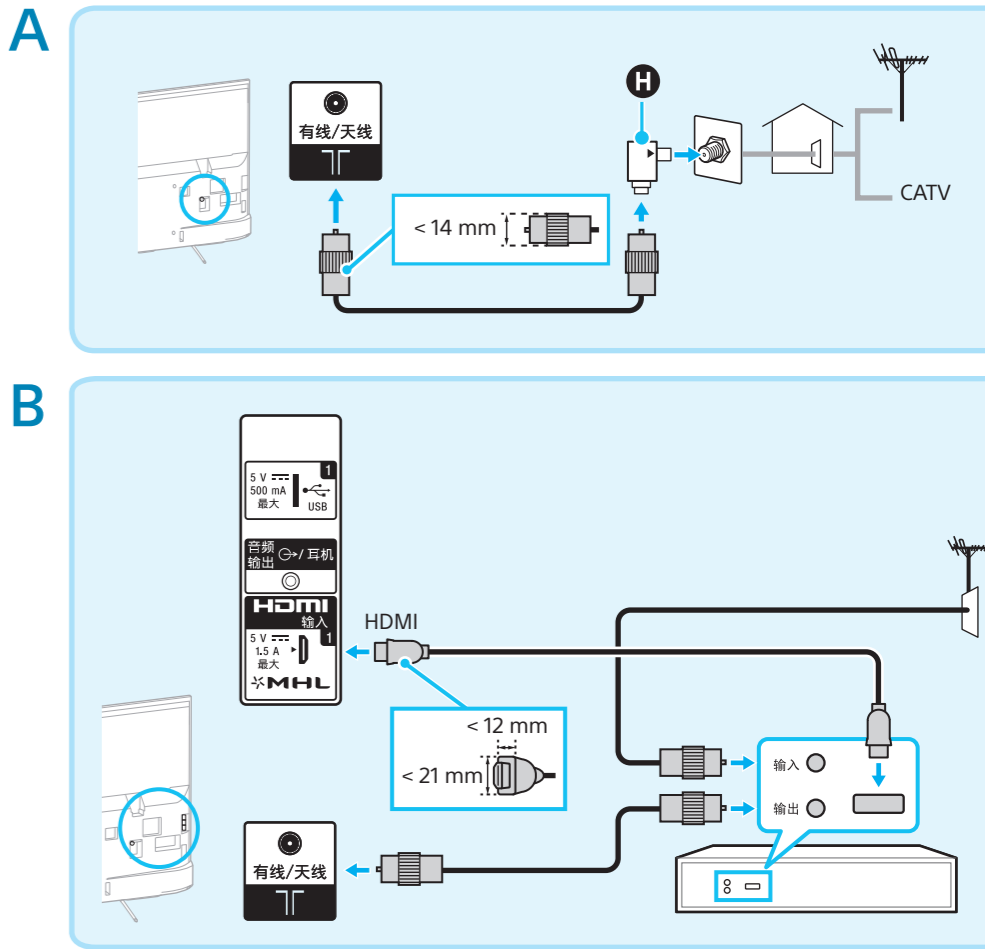
Startup Guide



* Only on limited region/country/TV model.



Refer to "Safety Information" in the Reference Guide before transporting the TV.

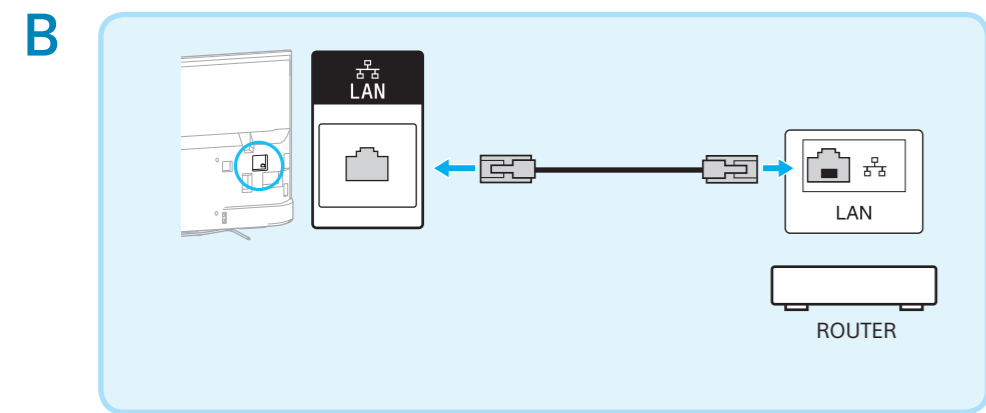
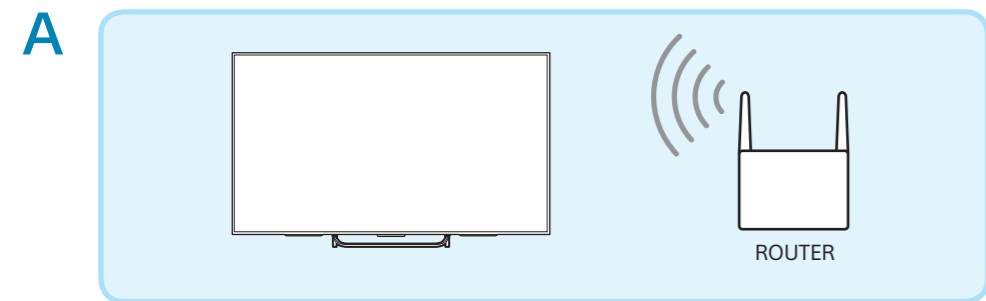


Connections for antenna (aerial) or cable (A), with set top box (B). Select HDMI for connection

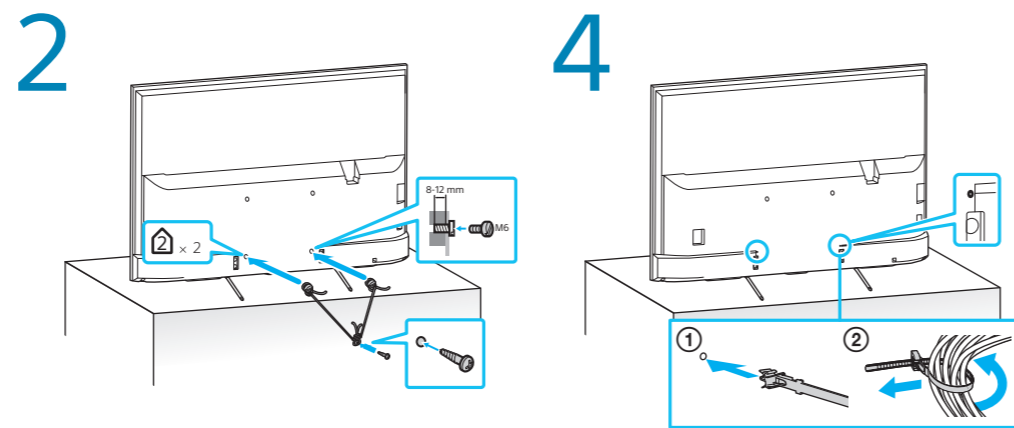
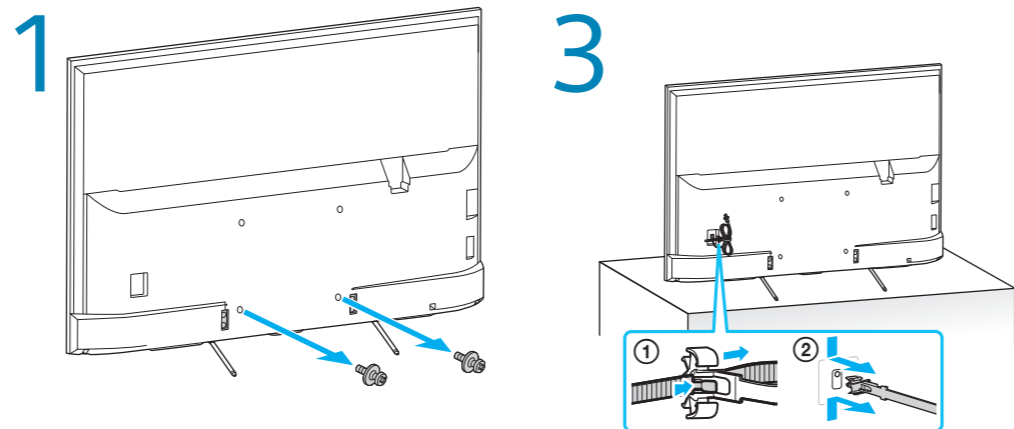
在将电视机与有线网络连接时，请务必在天线电缆与有线网络端子之间接入随机提供的天线隔离器。否则可能会引起着火等危险。
如果有线网络端子的形状特殊、无法与天线隔离器连接，请另行购买可将二者匹配的转接头连接使用。

BRAVIA

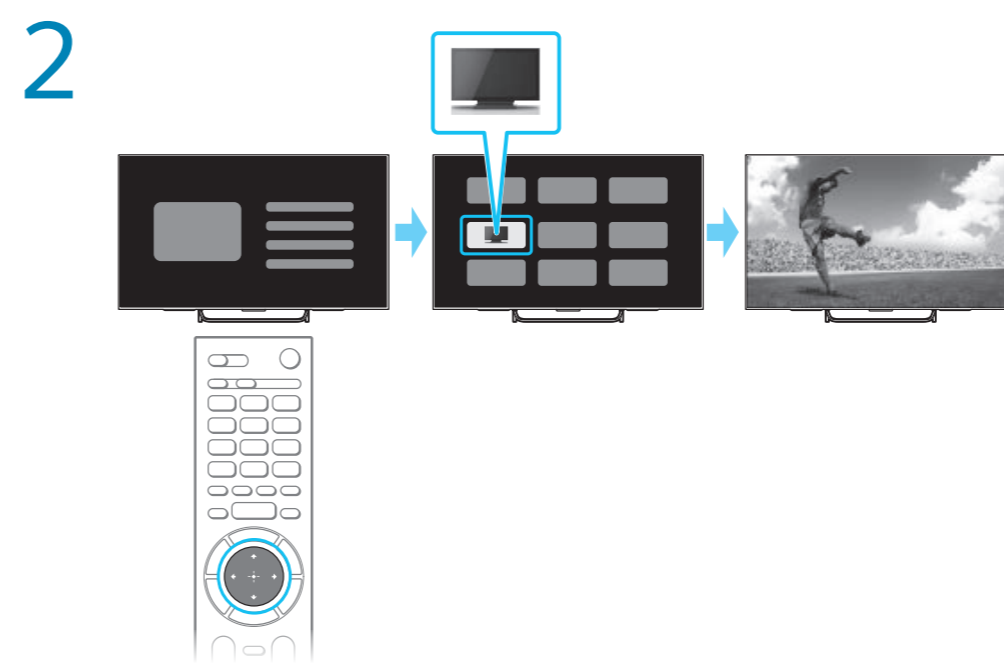
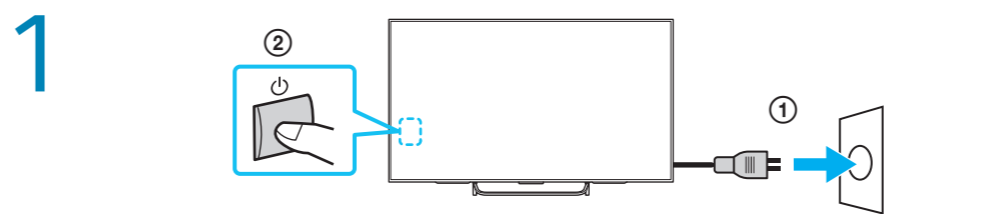
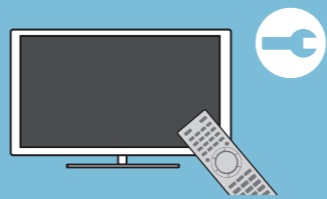
KDL-75W850C / 65W850C



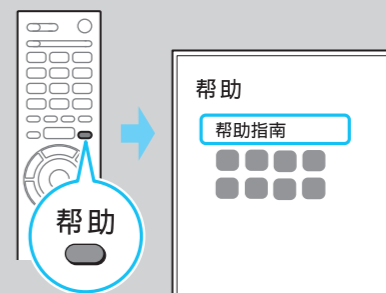
Internet connection wireless (A), wired (use category 7 LAN cable) (B). Refer to the manual supplied with the router for the router's settings.



Installation Do not bundle the AC power cord (mains lead) together with other cables.



Turn on the TV and perform the initial setup.



http://rd1.sony.net/help/tv/cch1/h_ch/

Help Guide : Information on how to use the TV's features. Available on both the TV and the Web.

<http://service.sony.com.cn/TV/index.htm>