

Personal Audio System

Operating Instructions



©2013 Sony Corporation Printed in China

GTK-N1BT



http://www.sony.net/



WARNING

To reduce the risk of fire or electric shock, do not expose this apparatus to rain or moisture.

To reduce the risk of fire, do not cover the ventilation opening of the appliance with newspapers, tablecloths, curtains, etc. Do not expose the appliance to naked flame sources (for example, lighted candles).

To reduce the risk of fire or electric shock, do not expose this appliance to dripping or splashing, and do not place objects filled with liquids, such as vases, on the appliance.

Do not install the appliance in a confined space, such as a bookcase or built-in cabinet.

As the main plug is used to disconnect the unit from the mains, connect the unit to an easily accessible AC outlet. Should you notice an abnormality in the unit, disconnect the main plug from the AC outlet immediately.

The unit is not disconnected from the mains as long as it is connected to the AC outlet, even if the unit itself has been turned off.

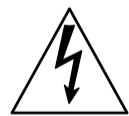
Do not expose batteries or appliances with battery-installed to excessive heat, such as sunshine and fire.

Owner's Record

The model and serial numbers are located on the rear of the unit. Record these numbers in the space provided below. Refer to them whenever you call upon your Sony dealer regarding this product.

Model No. GTK-N1BT

Serial No. _____



This symbol is intended to alert the user to the presence of uninsulated "dangerous voltage" within the product's enclosure that may be of sufficient magnitude to constitute a risk of electric shock to persons.



This symbol is intended to alert the user to the presence of important operating and maintenance (servicing) instructions in the literature accompanying the appliance.

Important Safety Instructions

- Read these instructions.
- Keep these instructions.
- Heed all warnings.
- Follow all instructions.
- Do not use this apparatus near water.
- Clean only with dry cloth.
- Do not block any ventilation openings. Install in accordance with the manufacturer's instructions.
- Do not install near any heat sources such as radiators, heat registers, stoves, or other apparatus (including amplifiers) that produce heat.
- Do not defeat the safety purpose of the polarized or grounding-type plug. A polarized plug has two blades with one wider than the

other. A grounding type plug has two blades and a third grounding prong. The wide blade or the third prong are provided for your safety. If the provided plug does not fit into your outlet, consult an electrician for replacement of the obsolete outlet.

10) Protect the power cord from being walked on or pinched particularly at plugs, convenience receptacles, and the point where they exit from the apparatus.

11) Only use attachments/accessories specified by the manufacturer.

12) Use only with the cart, stand, tripod, bracket, or table specified by the manufacturer, or sold with the apparatus. When a cart is used, use caution when moving the cart/apparatus combination to avoid injury from tip-over.



13) Unplug this apparatus during lightning storms or when unused for long periods of time.

14) Refer all servicing to qualified service personnel. Servicing is required when the apparatus has been damaged in any way, such as power-supply cord or plug is damaged, liquid has been spilled or objects have fallen into the apparatus, the apparatus has been exposed to rain or moisture, does not operate normally, or has been dropped.

The following FCC statement applies only to the version of this model manufactured for sale in the U.S.A. Other versions may not comply with FCC technical regulations.

NOTE:

This equipment has been tested and found to comply with the limits for a Class B digital device, pursuant to Part 15 of the FCC Rules. These limits are designed to provide reasonable protection against harmful interference in a residential installation. This equipment generates, uses and can radiate radio frequency energy and, if not installed and used in accordance with the instructions, may cause harmful interference to radio communications. However, there is no guarantee that interference will not occur in a particular installation. If this equipment does cause harmful interference to radio or television reception, which can be determined by turning the equipment off and on, the user is encouraged to try to correct the interference by one or more of the following measures:

- Reorient or relocate the receiving antenna.
- Increase the separation between the equipment and receiver.
- Connect the equipment into an outlet on a circuit different from that to which the receiver is connected.
- Consult the dealer or an experienced radio/TV technician for help.

CAUTION

You are cautioned that any changes or modifications not expressly approved in this manual could void your authority to operate this equipment.

Properly shielded and grounded cables and connectors must be used for connection to host computers and / or peripherals in order to meet FCC emission limits.

This device complies with Part 15 of the FCC Rules. Operation is subject to the following two conditions: (1) this device may not cause harmful interference, and (2) this device must accept any interference received, including interference that may cause undesired operation.

This equipment must not be co-located or operated in conjunction with any other antenna or transmitter.

This equipment complies with FCC radiation exposure limits set forth for an uncontrolled environment and meets the FCC radio frequency

(RF) Exposure Guidelines in Supplement C to OET65. This equipment has very low levels of RF energy that it deemed to comply without maximum permissive exposure evaluation (MPE). But it is desirable that it should be installed and operated keeping the radiator at least 20cm or more away from person's body (excluding extremities: hands, wrists, feet and ankles).

This device complies with Industry Canada licence-exempt RSS standard(s). Operation is subject to the following two conditions: (1) this device may not cause interference, and (2) this device must accept any interference, including interference that may cause undesired operation of the device.

This equipment complies with IC radiation exposure limits set forth for an uncontrolled environment and meets RSS-102 of the IC radio frequency (RF) Exposure rules. This equipment has very low levels of RF energy that it deemed to comply without maximum permissive exposure evaluation (MPE). But it is desirable that it should be installed and operated keeping the radiator at least 20cm or more away from person's body (excluding extremities: hands, wrists, feet and ankles).

License and Trademark Notice

• iPhone, iPod, iPod classic, iPod nano, and iPod touch are trademarks of Apple Inc., registered in the U.S. and other countries.

• MPEG Layer-3 audio coding technology and patents licensed from Fraunhofer IIS and Thomson.

• Windows Media is either a registered trademark or trademark of Microsoft Corporation in the United States and/or other countries.

• The BLUETOOTH® word mark and logos are registered trademarks owned by BLUETOOTH SIG, Inc. and any use of such marks by Sony Corporation is under license. Other trademarks and trade names are those of their respective owners.

• The N Mark is a trademark or registered trademark of NFC Forum, Inc. in the United States and in other countries.

• © 2012 CSR plc and its group companies. The aptX® mark and the aptX logo are trade marks of CSR plc or one of its group companies and may be registered in one or more jurisdictions.

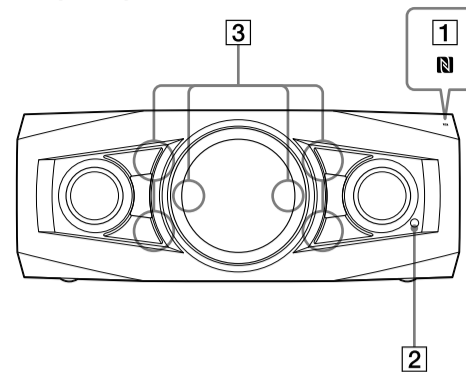
• Android™ and Google Play™ are trademarks of Google Inc.

• This product is protected by certain intellectual property rights of Microsoft Corporation. Use or distribution of such technology outside of this product is prohibited without a license from Microsoft or an authorized Microsoft subsidiary.

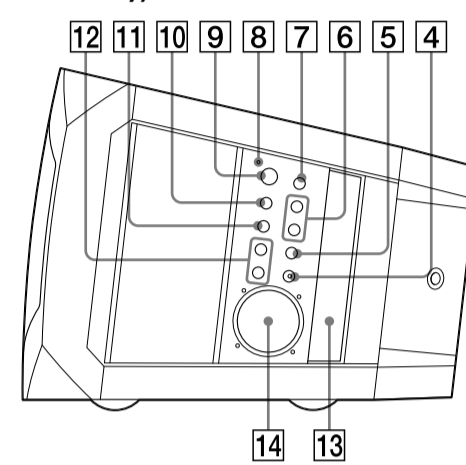
• The system names and product names indicated in this manual are generally the trademarks or registered trademarks of the manufacturer.™ and ® marks are omitted in this manual.

Location of Controls

Unit (Front)



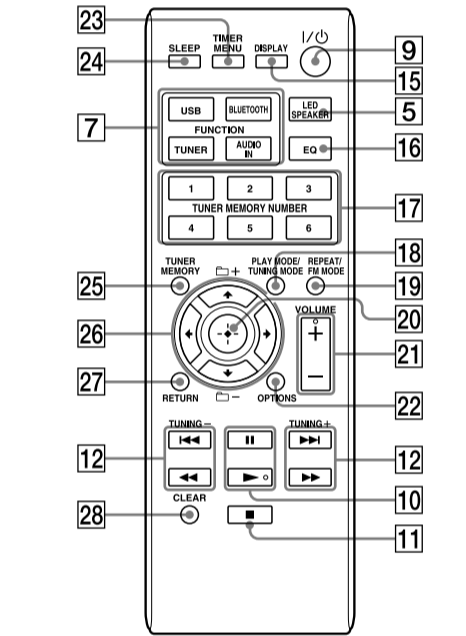
Unit (Right side when installed horizontally)



Note

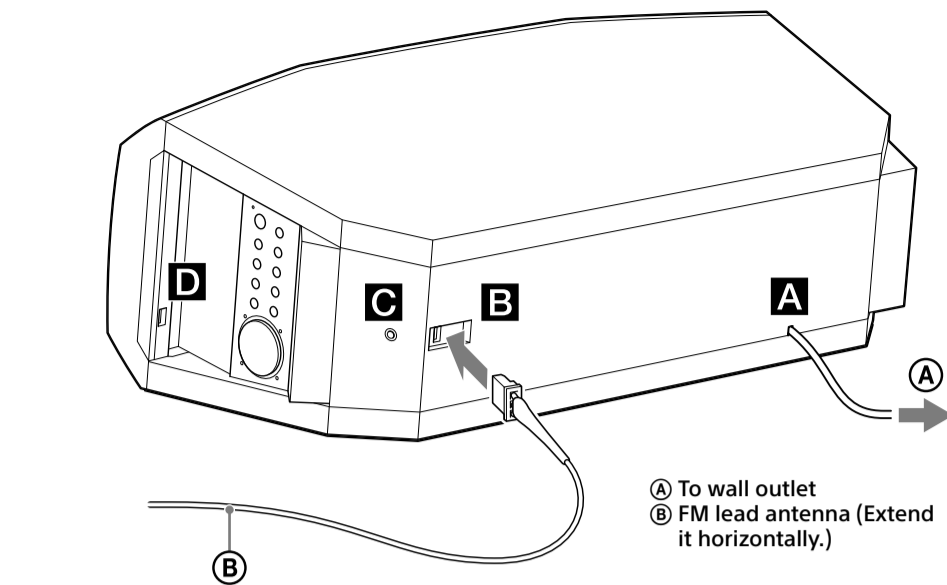
Headphone output is not available as this system does not have a headphone jack.

Remote



This manual mainly explains operations using the remote, but the same operations can also be performed using the buttons on the unit having the same or similar names.

Getting Started



A Power

Connect the power cord ④ to a wall outlet. The demonstration appears in the display 13. When you press I/⏻ 9, the system turns on and the demonstration automatically ends.

If the supplied adaptor on the plug does not fit your wall outlet, detach it from the plug (only for models equipped with an adaptor).

B Antenna

When inserting the connector of FM lead antenna ⑥, make sure to insert it in the correct orientation. Find a location and an orientation that provide good reception when you set up the antenna. Keep the antenna away from the power cord to avoid picking up noise.

C AUDIO IN (external input) jack

Connect optional external equipment using an audio connecting cable (not supplied).

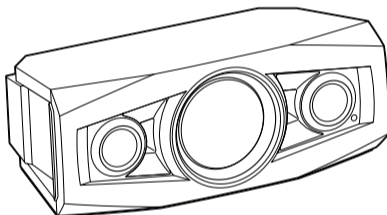
D USB port

Connect an iPod/iPhone or USB device using a USB cable (not supplied).

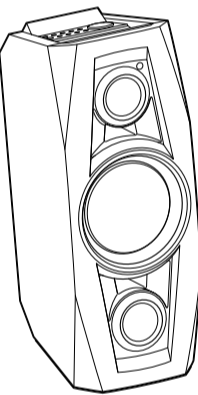
Installing the system

The system can be installed either vertically or horizontally. Select the installation style based on your preferences.

Horizontal installation

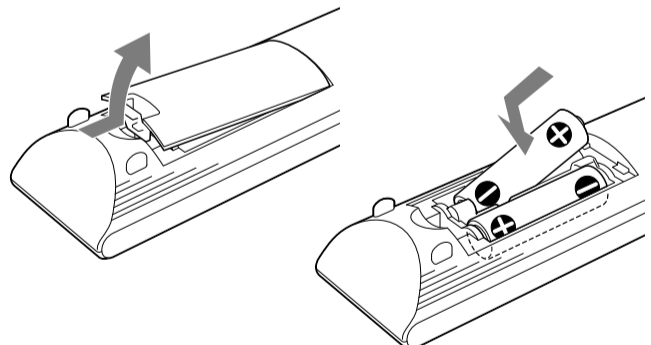


Vertical installation



Using the remote

Insert the two R6 (size AA) batteries (supplied), matching the polarities shown below.



Notes on using the remote

- With normal use, the batteries should last for about 6 months.
- Do not mix an old battery with a new one or mix different types of batteries.
- If you do not use the remote for a long period of time, remove the batteries to avoid damage from battery leakage and corrosion.

Setting the clock

- Press I/⏻ 9 to turn on the system.
- Press TIMER MENU 23 to select the clock set mode. If "PLAY SET" flashes, press ⏻/⏹ 26 repeatedly to select "CLOCK," and then press ⏻ (enter) 20.
- Press ⏻/⏹ 26 repeatedly to set the hour, then press ⏻ 20.
- Use the same procedure to set the minutes.

Note

The clock settings are reset when you disconnect the power cord or if a power failure occurs.

To display the clock when the system is off
Press DISPLAY 15. The clock is displayed for about 8 seconds.

Operations

Using the BLUETOOTH function

You can listen to music from your "WALKMAN" or BLUETOOTH device over a wireless connection. Before using the BLUETOOTH function, perform pairing to register your BLUETOOTH device.

The system supports registration and connection of the BLUETOOTH device and NFC, which enables data communication by just touching a specified location. For details on NFC, see "Connecting by one-touch action (NFC)."

What is pairing?

The BLUETOOTH devices to be connected must be registered with each other beforehand. Pairing is an operation of registering two devices. Once a pairing operation is performed, it does not have to be performed again. In the following cases, however, a pairing operation must be performed again:

- Pairing information was erased when the BLUETOOTH device was repaired.
- You attempt to pair the system with more than 10 BLUETOOTH devices. This system can pair with up to 9 BLUETOOTH devices. If you pair another BLUETOOTH device after pairing with 9 devices was performed, pairing information of the device that was connected with the system first is overwritten with that of the new device.
- Pairing registration information of this system is erased from the connected device.
- If you initialize the system or erase the pairing history with the system, all the pairing information will be erased.

About the BLUETOOTH indicator

The BLUETOOTH indicator in the center of the BLUETOOTH button 4 allows checking the BLUETOOTH status.

System status	Indicator status
The system is in BLUETOOTH Standby (when the system is on).	Flash slowly in blue.
During BLUETOOTH pairing	Flash quickly in blue.
The system is attempting to connect with a BLUETOOTH device.	Flash in blue.
The system has established in connection with a BLUETOOTH device.	Lit in blue.

Enabling reception of AAC codec

You can receive data in AAC codec format from a BLUETOOTH device. To enable reception, set up using the option menu.

- Press BLUETOOTH FUNCTION 7 on the remote or press BLUETOOTH 4 on the unit until "BT AUDIO" appears in the display 13.
- Press OPTIONS 22 to display the setting menu.
- Press ⏻/⏹ 26 repeatedly to select "BT AAC," then press ⏻ 20.
- Press ⏻/⏹ 26 repeatedly to select "ON" or "OFF," then press ⏻ 20.
ON: to enable reception in AAC codec format
OFF: to receive in SBC or aptX codec format

Notes

- If you initiate setup during BLUETOOTH connection, the connection is cut.
- When using an Apple product, update it to the latest software version. For details on updating, refer to the operation manual supplied with your Apple product.
- If sound is interrupted during reception in AAC codec format, set the BT AAC menu to "OFF."

Pairing this system with a BLUETOOTH device



- Place the BLUETOOTH device to be connected within 1 meter from the system.
- Press BLUETOOTH FUNCTION 7 on the remote or press BLUETOOTH 4 on the unit until "BT AUDIO" appears in the display 13.

- The BLUETOOTH indicator 4 flashes slowly in blue.
- If the system has been automatically connected with the BLUETOOTH device in the past, press BLUETOOTH 4 on the unit to cancel the connection so that "BT AUDIO" appears in the display 13.

- Press and hold BLUETOOTH 4 on the unit for 2 seconds or longer.
The BLUETOOTH indicator 4 flashes quickly in blue and "PAIRING" flashes in the display 13. The system is in Pairing mode.

- 2 Set your smartphone to enable NFC function. For details, refer to the user's guide supplied with your smartphone.

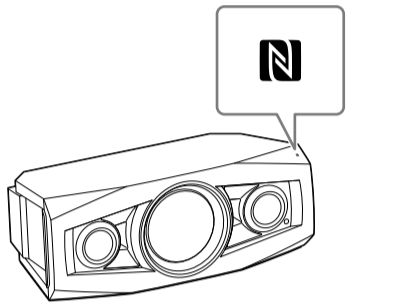
About the "NFC Easy Connect" application
This is a free application especially used for Android. Search the internet for detailed information on "NFC Easy Connect" and download the application.

- In some countries and regions, NFC-compliant application may not be downloaded.

Making a connection with your smartphone by one-touch action
Just touch your smartphone to the system. The system is turned on automatically, and pairing and BLUETOOTH connection are established.

- 1 Start the "NFC Easy Connect" application on your smartphone.
Check that the application display appears.

- 2 Touch your smartphone to the unit.
Touch the smartphone to the N-Mark 1 on the unit and maintain contact until the smartphone vibrates.



Complete the connection with your smartphone, following the instructions on the screen.

Refer to the user's guide of your smartphone for the part of your smartphone used touch contact.

- To disconnect the established connection, touch your smartphone to the N-Mark 1 on the unit.
- When you touch an NFC-compliant smartphone to the unit while another BLUETOOTH device is connected with this system, the BLUETOOTH device is disconnected and the system is connected with the smartphone.
- If you touch the smartphone connected with this system to another NFC-compliant BLUETOOTH headset or speaker, the smartphone is disconnected from the system and connected with the touched BLUETOOTH device.

Listening to music through a BLUETOOTH connection

You can operate a BLUETOOTH device by connecting the system and a BLUETOOTH device using AVRCP.

- Check the following before playing music:
- The BLUETOOTH function of the BLUETOOTH device is enabled.
 - Pairing has been completed.

- 1 Press BLUETOOTH FUNCTION 7 on the remote or press BLUETOOTH 4 on the unit until "BT AUDIO" appears in the display 13.
- 2 Establish BLUETOOTH connection with the BLUETOOTH device.
Once the connection is established, "LINKED" appears in the display 13 then the BLUETOOTH device name set with the BLUETOOTH device appears.

If the BLUETOOTH device has been connected with this system in the past, it may be connected automatically with no user operation required.

- 3 Press ► 10 on the remote or ► 10 on the unit to start playback.
Depending on the BLUETOOTH device, you may have to press ► 10 or ► 10 twice.
Depending on the BLUETOOTH device, you may have to start up the AV software of the BLUETOOTH device beforehand.

- 4 Press VOLUME +/- 21 on the remote or turn the volume dial 14 on the unit to adjust the volume.

Other operations

To	Do the following:
Pause playback	Press II 10 on the remote or ►II 10 on the unit.*
Stop playback	Press ■ 11.
Select a folder	Press ⏻ +/- 26 (⏻ +/- 8) on the unit.
Select a file	Press ◀▶▶▶ 12.
Find a point in a file	Hold down ◀▶▶▶ 12 (or ◀▶▶▶▶ 12 on the unit) during playback and release the button at the desired point.

* Depending on the BLUETOOTH device, you may have to press ►II 10 on the unit twice.

Note

These operations may not be available for certain BLUETOOTH devices. In addition, the actual operations may differ depending on the connected BLUETOOTH device.

To check the address of a connected BLUETOOTH device

Press DISPLAY 15 while the BLUETOOTH device name set on the connected BLUETOOTH device is shown in the display 13. The BLUETOOTH device address appears in two installations on the system display for 8 seconds.

To cancel the connection with a BLUETOOTH device

Press BLUETOOTH 4 on the unit. "UNLINKED" appears in the display 13. Depending on the BLUETOOTH device, the connection may be cancelled automatically when you stop playback.

Setting the BLUETOOTH Standby mode

When BLUETOOTH Standby mode is enabled, the system enters Wait mode for BLUETOOTH connection even when the system is turned off. If the system receives a playback command from the connected BLUETOOTH device, it turns on and music is played back. The BLUETOOTH Standby mode is disabled by default.

- 1 Press BLUETOOTH FUNCTION 7 on the remote or press BLUETOOTH 4 on the unit until "BT AUDIO" appears in the display 13.

- 2 Press OPTIONS 22 to display the setting menu.

- 3 Press ⏻/⏹ 26 repeatedly to select "BT STBY," then press ⏻ 20.

- 4 Press ⏻/⏹ 26 repeatedly to select "ON" or "OFF," then press ⏻ 20.

- 5 Press I/⏻ 9 to turn off the system.
When "BT STBY" is set to "ON," the system turns on and you can listen to music by activating BLUETOOTH on the connected component.

App Remote via BLUETOOTH wireless technology (Android phone)

Downloading the "App Remote" application from Google Play is required for Android phone. If the application is downloaded to an Android phone connected to the unit, the following features are available:

- Operate the unit to launch and control compatible applications on Android phone.
- Operate Android phone with simple finger gestures to control the source of the unit.
- Display detailed source information (song title, artist name, album art, etc.) on Android phone.
- Read out incoming text messages/SMS automatically.

Available operations differ depending on the application. For details on available applications, visit the support site below:
For customers in the United States:
<http://esupport.sony.com/>
For customers in Canada:
<http://esupport.sony.com/CA/>

To install the application if you access using 2D Code
Use the 2D Code Reader application.



If the application is not found at the website above, search for "App Remote" on Google Play and install it.

Notes

- The "App Remote" application via the BLUETOOTH function is only available for Android phones with Android 2.2, 2.3, 4.0 or 4.1 installed.
- Automatic reading of the SMS function is only available for Android phones with TTS Engine installed.

