

SONY®

Sound Bar

Reference Guide GB

Guide de référence FR

Guía de referencia ES

Referenzhandbuch DE

Naslaggids NL

Guida di riferimento IT

Przewodnik PL

參考指南 CT



x.v.Colour



<http://www.sony.net/>

©2013 Sony Corporation Printed in Malaysia



* 4 4 6 7 1 4 7 1 1 * (1)

4-467-147-11(1)

HT-ST3

WARNING

Do not install the appliance in a confined space, such as a bookcase.

To reduce the risk of fire, do not cover the ventilation opening of the appliance with newspapers, tablecloths, curtains, etc.

Do not expose the appliance to naked flame sources (for example, lighted candles).

To reduce the risk of fire or electric shock, do not expose this appliance to dripping or splashing, and do not place objects filled with liquids, such as vases, on the appliance.

The unit is not disconnected from the mains as long as it is connected to the AC outlet, even if the unit itself has been turned off.

As the main plug is used to disconnect the unit from the mains, connect the unit to an easily accessible AC outlet. Should you notice an abnormality in the unit, disconnect the main plug from the AC outlet immediately.

Do not expose batteries or appliances with battery-installed to excessive heat, such as sunshine and fire.

Indoor use only.

Recommended cables

Properly shielded and grounded cables and connectors must be used for connection to host computers and/or peripherals.

This equipment has been tested and found to comply with the limits set out in the EMC Directive using a connection cable shorter than 3 meters.

Notice for customers: the following information is only applicable to equipment sold in countries applying EU directives.

This product has been manufactured by or on behalf of Sony Corporation, 1-7-1 Konan Minato-ku Tokyo, 108-0075 Japan. Inquiries related to product compliance based on European Union legislation shall be addressed to the authorized representative, Sony Deutschland GmbH, Hedelfinger Strasse 61, 70327 Stuttgart, Germany. For any service or guarantee matters, please refer to the addresses provided in the separate service or guarantee documents.



Hereby, Sony Corp., declares that this equipment is in compliance with the essential requirements and other relevant provisions of Directive 1999/5/EC.

For details, please access the following URL:

<http://www.compliance.sony.de/>



Disposal of Old Electrical & Electronic Equipment (Applicable in the European Union and other European countries with separate collection systems)

This symbol on the product or on its packaging indicates that this product shall not be treated as household waste. Instead it shall be handed over to the applicable collection point for the recycling of electrical and electronic equipment. By ensuring this product is disposed of correctly, you will help prevent potential

negative consequences for the environment and human health, which could otherwise be caused by inappropriate waste handling of this product. The recycling of materials will help to conserve natural resources. For more detailed information about recycling of this product, please contact your local Civic Office, your household waste disposal service or the shop where you purchased the product.



Disposal of waste batteries (applicable in the European Union and other European countries with separate collection systems)

This symbol on the battery or on the packaging indicates that the battery provided with this product shall not be treated as household waste.

On certain batteries this symbol might be used in

combination with a chemical symbol. The chemical symbols for mercury (Hg) or lead (Pb) are added if the battery contains more than 0.0005% mercury or 0.004% lead.

By ensuring these batteries are disposed of correctly, you will help prevent potentially negative consequences for the environment and human health which could otherwise be caused by inappropriate waste handling of the battery. The recycling of the materials will help to conserve natural resources.

In case of products that for safety, performance or data integrity reasons require a permanent connection with an incorporated battery, this battery should be replaced by qualified service staff only.

To ensure that the battery will be treated properly, hand over the product at end-of-life to the applicable collection point for the recycling of electrical and electronic equipment.

For all other batteries, please view the section on how to remove the battery from the product safely. Hand the battery over to the applicable collection point for the recycling of waste batteries. For more detailed information about recycling of this product or battery, please contact your local Civic Office, your household waste disposal service or the shop where you purchased the product.

Table of contents

Precautions	5
BLUETOOTH wireless technology	7
Installing the Bar Speaker on a wall	8
Using the Control for HDMI function	10
Using "BRAVIA" Sync features	10
Troubleshooting	11
Specifications	13

Precautions

On safety

- Should any solid object or liquid fall into the system, unplug the system and have it checked by qualified personnel before operating it any further.
- Do not climb on the Bar Speaker or the subwoofer, as you may fall down and injure yourself, or system damage may result.
- Do not place any objects on top of the system.
- Do not insert any objects into the holes (center duct or ventilation holes on the rear) of the system.
- Since the system vibrates during operation, place it so that it does not fall accidentally.

On power sources

- Before operating the system, check that the operating voltage is identical to your local power supply. The operating voltage is indicated on the nameplate at the rear of the Bar Speaker.
- If you are not going to use the system for a long time, be sure to disconnect the system from the wall outlet (mains). To disconnect the AC power cord (mains lead), grasp the plug itself; never pull the cord.
- One blade of the plug is wider than the other for the purpose of safety and will fit into the wall outlet (mains) only one way. If you are unable to insert the plug fully into the outlet, contact your dealer.
- AC power cord (mains lead) must be changed only at the qualified service shop.

On heat buildup

Although the system heats up during operation, this is not a malfunction. If you continuously use this system at a large volume, the system temperature of the back and bottom rises considerably. To avoid burning yourself, do not touch the system.

On placement

- Sufficient space around the system is needed to release heat. When placing the system in a rack, leave more than 5 cm space above the system, and more than 5 cm space along the sides of the system. The rack

behind the system should be open. If you place the system with its back against the wall, leave more than 10 cm space between the system and the wall.

- Leave the front of the system open.
- Do not place the system on top of a device that radiates heat.
- Place the system in a location with adequate ventilation to prevent heat buildup and prolong the life of the system.
- Do not place the system near heat sources, or in a place subject to direct sunlight, excessive dust, or mechanical shock.
- Do not place anything at the rear of the system that might block the ventilation holes and cause malfunctions.
- If the system is being used in combination with a TV, VCR, or tape deck, noise may result, and picture quality may suffer. In this case, place the system away from the TV, VCR, or tape deck.
- Use caution when placing the system on surfaces that have been specially treated (with wax, oil, polish, etc.) as staining or discoloration of the surface may result.
- Take care to avoid any possible injury on the corners of the Bar Speaker or the subwoofer.

On handling the subwoofer

Do not place your hand into the slit of the subwoofer when lifting it. The speaker driver may be damaged. When lifting it, hold the bottom of the subwoofer.

On operation

Before connecting other equipment, be sure to turn off and unplug the system.

If you encounter color irregularity on a nearby TV screen

Color irregularities may be observed on certain types of TV sets.

If color irregularity is observed...

Turn off the TV set, then turn it on again after 15 to 30 minutes.

If color irregularity is observed again...

Place the system further away from the TV set.

continued

On cleaning

Clean the system with a soft dry cloth. Do not use any type of abrasive pad, scouring powder or solvent such as alcohol or benzine.

If you have any question or problem concerning your system, please consult your nearest Sony dealer.

Copyrights

This system incorporates Dolby* Digital and the DTS** Digital Surround System.

- * Manufactured under license from Dolby Laboratories.
Dolby, and the double-D symbol are trademarks of Dolby Laboratories.
- ** Manufactured under license under U.S. Patent Nos: 5,956,674; 5,974,380; 6,226,616; 6,487,535; 7,212,872; 7,333,929; 7,392,195; 7,272,567 & other U.S. and worldwide patents issued & pending.
DTS-HD, the Symbol, & DTS-HD and the Symbol together are registered trademarks of DTS, Inc.
Product includes software. © DTS, Inc.
All Rights Reserved.

The BLUETOOTH® word mark and logos are registered trademarks owned by Bluetooth SIG, Inc. and any use of such marks by Sony Corporation is under license.

This system incorporates High-Definition Multimedia Interface (HDMI™) technology.
The terms HDMI and HDMI High-Definition Multimedia Interface, and the HDMI Logo are trademarks or registered trademarks of HDMI Licensing LLC in the United States and other countries.

“BRAVIA” logo is a trademark of Sony Corporation.

“x.v.Colour” and “x.v.Colour” logo are trademarks of Sony Corporation.

The N Mark is a trademark or registered trademark of NFC Forum, Inc. in the United States and in other countries.

Android is a trademark of Google Inc.

© 2012 CSR plc and its group companies.
The aptX® mark and the aptX logo are trade marks of CSR plc or one of its group companies and may be registered in one or more jurisdictions.

Other trademarks and trade names are those of their respective owners.

BLUETOOTH wireless technology

Supported BLUETOOTH version and profiles

Profile refers to a standard set of capabilities for various BLUETOOTH product capabilities. See “Specifications” (page 13) on the BLUETOOTH version and profiles supported by this system.

Notes

- For you to use the BLUETOOTH function, the BLUETOOTH device to be connected must support the same profile as this system. Even if the device supports the same profile, the functions may differ because of the specifications of the BLUETOOTH device.
- The audio playback on this system may be delayed from that on the BLUETOOTH device because of the characteristics of the BLUETOOTH wireless technology.

Effective communication range

BLUETOOTH devices should be used within approximately 10 meters (unobstructed distance) of each other. The effective communication range may become shorter under the following conditions.

- When a person, metal object, wall or other obstruction is between the devices with a BLUETOOTH connection
- Locations where a wireless LAN is installed
- Around microwave ovens that are in use
- Locations where other electromagnetic waves occur

Effects of other devices

BLUETOOTH devices and wireless LAN (IEEE 802.11b/g) use the same frequency band (2.4 GHz). When using your BLUETOOTH device near a device with wireless LAN capability, electromagnetic interference may occur.

This could result in lower data transfer rates, noise, or inability to connect. If this happens, try the following remedies:

- Try connecting this system and BLUETOOTH mobile phone or BLUETOOTH device when you are at least 10 meters away from the wireless LAN equipment.

- Turn off the power to the wireless LAN equipment when using your BLUETOOTH device within 10 meters.

Effects on other devices

The radio waves broadcast by this system may interfere with the operation of some medical devices. Since this interference may result in malfunction, always turn off the power on this system, BLUETOOTH mobile phone and BLUETOOTH device in the following locations:

- In hospitals, on trains, in airplanes, at gas stations, and any place where flammable gasses may be present
- Near automatic doors or fire alarms

Notes

- This system supports security functions that comply with the BLUETOOTH specification as a means of ensuring security during communication using BLUETOOTH technology. However, this security may be insufficient depending on the setting contents and other factors, so always be careful when performing communication using BLUETOOTH technology.
- Sony cannot be held liable in any way for damages or other loss resulting from information leaks during communication using BLUETOOTH technology.
- BLUETOOTH communication is not necessarily guaranteed with all BLUETOOTH devices that have the same profile as this system.
- BLUETOOTH devices connected with this system must comply with the BLUETOOTH specification prescribed by the Bluetooth SIG, Inc., and must be certified to comply. However, even when a device complies with the BLUETOOTH specification, there may be cases where the characteristics or specifications of the BLUETOOTH device make it impossible to connect, or may result in different control methods, display or operation.
- Noise may occur or the audio may cut off depending on the BLUETOOTH device connected with this system, the communications environment, or surrounding conditions.

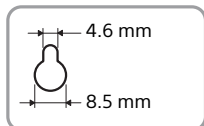
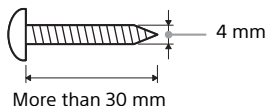
Installing the Bar Speaker on a wall

You can install the Bar Speaker on the wall.

Notes

- Use screws that are suitable for the wall material and strength. As a plaster board wall is especially fragile, attach the screws securely to a wall beam. Install the Bar Speaker on a vertical and flat reinforced area of the wall.
- Be sure to subcontract the installation to Sony dealers or licensed contractors and pay special attention to safety during the installation.
- Sony is not responsible for accidents or damage caused by improper installation, insufficient wall strength, improper screw installation or natural calamity, etc.

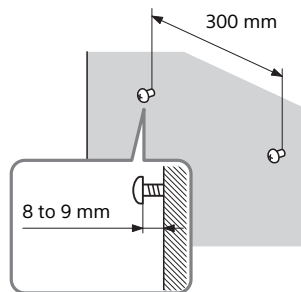
1 Prepare screws (not supplied) that are suitable for the holes on the back of the Bar Speaker.



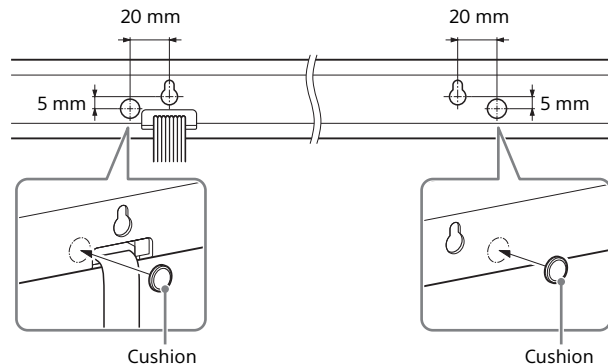
Hole on the back of the Bar Speaker

2 Fasten the screws to the wall.

The screws should protrude 8 to 9 mm.

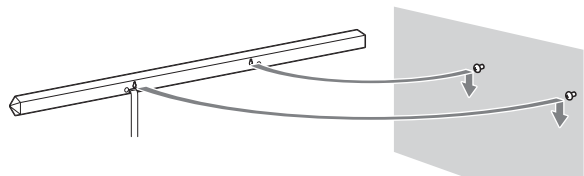


3 Stick the cushions supplied on the back of the Bar Speaker.



4 Hang the Bar Speaker onto the screws.

Align the holes on the back of the Bar Speaker to the screws, then hang the Bar Speaker onto the 2 screws.



Using the Control for HDMI function

By enabling the Control for HDMI function, and connecting equipment that is compatible with the Control for HDMI function via an HDMI cable, operation is simplified with the features below.

System Power Off

When you turn off the TV using the power button on the TV's remote control, the system and the connected equipment turn off automatically.

System Audio Control

If you turn on the system while you are watching the TV, the TV sound is output from the speakers of the system automatically. The volume of the system is adjusted when you adjust the TV volume.

If the TV sound was output from the speakers of the system the last time you turned off the TV, the system is turned on automatically when you turn on the TV again, and the TV sound is output from the speakers of the system automatically.

Audio Return Channel (ARC)

If the TV is compatible with the Audio Return Channel (ARC) technology, an HDMI cable connection also sends a digital audio signal from the TV to the system. You do not need to make a separate audio connection for listening to TV sound from the system.

One-Touch Play

When you play the equipment connected to the system with an HDMI cable, the connected TV is turned on automatically and the input signal of the system is switched to the appropriate HDMI input.

Notes

- The above features may not operate with certain equipment.
- Depending on the settings of the connected equipment, the Control for HDMI function may not work correctly. Refer to the operating instructions of the equipment.

Using "BRAVIA" Sync features

The original Sony functions listed below can also be used with products that are compatible with "BRAVIA" Sync.

Power save

If a "BRAVIA" Sync-compatible TV is connected to the system, the power consumption is reduced in standby mode by stopping HDMI signal transmission when TV is turned off.

Notes on HDMI connections

- Use a High Speed HDMI cable. If you use a Standard HDMI cable, 1080p, Deep Color, or 3D/4K images may not be displayed properly.
- Use an HDMI-authorized cable.
Use a Sony High Speed HDMI cable with Cable Type Logo.
- We do not recommend using an HDMI-DVI conversion cable.
- Check the setup of the connected equipment if an image is poor or the sound does not come out of the equipment connected via the HDMI cable.
- Audio signals (sampling frequency, bit length, etc.) transmitted from an HDMI jack may be suppressed by the connected equipment.
- Sound may be interrupted when the sampling frequency or the number of channels of audio output signals from the playback equipment is switched.
- When the connected equipment is not compatible with copyright protection technology (HDCP), the image and/or the sound from the

HDMI OUT ARC(TV) jack may be distorted or may not be output. In this case, check the specification of the connected equipment.

- When “TV” is selected for the input source of the system, video signals via one of the HDMI IN jacks that was selected last time are output from the HDMI OUT ARC(TV) jack.
- This system supports Deep Color, “x.v.Colour,” 3D, and 4K transmission.
- To enjoy 3D images, connect a 3D-compatible TV and video equipment (Blu-ray Disc player, “PlayStation®3,” etc.) to the system using High Speed HDMI cables, put on 3D glasses, and then play back 3D compatible Blu-ray Disc.
- To enjoy 4K images, the TV and players that are connected to the system must be compatible with the 4K images.

Troubleshooting

If you experience any of the following difficulties while using the system, use this troubleshooting guide to help remedy the problem before requesting repairs. Should any problem persist, consult your nearest Sony dealer.

POWER

The system is not turned on.

- Check that the AC power cord (mains lead) is connected securely.

The system is turned off automatically.

- The “A. STBY” function is working. Set “A. STBY” to “OFF” (refer to “Adjusting the settings” in the Operating Instructions).

SOUND

No TV sound is output from the system.

- Make sure the input source is selected correctly. You should try other input sources by pressing the INPUT button several times (refer to “Listening to the audio” in the Operating Instructions).

- Check the connection of the HDMI cable, digital optical cable, or audio cable that is connected to the system and the TV (refer to “Connection” in the Operating Instructions).
- Check that “TV” is displayed as the input source on the front panel display.
- Check the sound output of the TV.
- Check to make sure the TV sound volume is not too low or muted.
- When a TV compatible with the Audio Return Channel (ARC) technology is connected with an HDMI cable, check to make sure the cable is connected to the HDMI (ARC) jack of the TV.
- If the TV is not compatible with the Audio Return Channel (ARC) technology, connect the digital optical cable in addition to the HDMI cable in order to output sound.

The sound is output from both the system and the TV.

- Turn off the sound of the system or the TV.

Sound lags behind the TV image.

- Set “SYNC” to “OFF” if it is set to any of 1 to 4 (refer to “Adjusting the settings” in the Operating Instructions).

No sound or only a very low-level sound is heard from the Bar Speaker or the subwoofer.

- Press VOL + and check the volume level (refer to “Parts and controls” in the Operating Instructions).
- Press MUTING on the remote control or VOL + to cancel the muting function (refer to “Parts and controls” in the Operating Instructions).
- Check that the speaker cords of the Bar Speaker are inserted to the subwoofer securely.
- Make sure the input source is selected correctly. You should try other input sources by pressing the INPUT button several times (refer to “Listening to the audio” in the Operating Instructions).
- Check that the input source is correctly selected.
- Check that all the cables and cords of the system and the connected equipment are fully inserted.
- Press SW VOL + on the remote control to turn up the volume level of the subwoofer (refer to “Parts and controls” in the Operating Instructions).
- A subwoofer is for reproducing bass sound. In the case of input sources that contain very little bass sound components (i.e., a TV broadcast), the sound from the subwoofer may be difficult to hear.

continued

Dolby Digital or DTS multi-channel sound is not reproduced.

- Check the audio setting of Dolby Digital or DTS format on the Blu-ray Disc player, DVD player, etc., connected to the system.

The surround effect cannot be obtained.

- Depending on the input signal and the SOUND MODE setting, surround sound processing may not work effectively. The surround effect may be subtle depending on the program or disc.
- If you connect a Blu-ray Disc player or a DVD player compatible with the surround effect function, the surround effect of the system may not work. In this case, set the surround effect function of the connected equipment to off. For details, refer to the operating instructions supplied with the connected equipment.

BLUETOOTH

BLUETOOTH connection cannot be completed.

- Make sure that the BLUETOOTH indicator is lit in blue (refer to “Listening to the audio from BLUETOOTH devices” in the Operating Instructions).

System status	Indicator status
During BLUETOOTH pairing	Flashes quickly in blue.
The system is attempting to connect with a BLUETOOTH device	Flashes in blue.
The system has established in connection with a BLUETOOTH device	Lights up in blue.
The system is in BLUETOOTH standby mode (when the system is off)	Flashes slowly in blue.

- Make sure the BLUETOOTH device to be connected is turned on and the BLUETOOTH function is enabled.
- Locate this system and the BLUETOOTH device as near as possible.
- Pair this system and the BLUETOOTH device again.
 - You may need to cancel the pairing with this system using your BLUETOOTH device first.

Pairing cannot be done.

- Bring this system and the BLUETOOTH device closer together (refer to “Listening to the audio from BLUETOOTH devices” in the Operating Instructions).
- Make sure this system is not receiving interference from a Wi-Fi network, other 2.4 GHz wireless devices, or a microwave oven. If a device that generates electromagnetic radiation is nearby, move the device away from this system.

BLUETOOTH connection is disconnected.**No sound from the connected device is output.**


- Bring this system and the BLUETOOTH device closer together.
- If a device that generates electromagnetic radiation, such as a Wi-Fi network, other BLUETOOTH devices, or a microwave oven is nearby, move the device away from this system.
- Remove any obstacle between this system and the BLUETOOTH device, or move this system away from the obstacle.
- Re-position the BLUETOOTH device connected.
- Try changing the Wi-Fi frequency of the Wi-Fi router, computer, etc., to 5 GHz band.

The sound is not in sync with the image.

- When you are watching movies, you may hear the sound with a slight delay from the image.

OTHERS

The remote control does not function.

- Point the remote control at the remote control sensor  on the system (refer to “Parts and controls” in the Operating Instructions).
- Remove any obstacles in the path between the remote control and the system.
- Replace both batteries in the remote control with new ones, if they are weak.
- Make sure you are pressing the correct button on the remote control.

The Control for HDMI function does not work properly.

- Check the HDMI connection.
- Set up the Control for HDMI function on the TV.

- Make sure that any equipment connected is compatible with "BRAVIA" Sync.
- Check the Control for HDMI settings on the connected equipment. Refer to the operating instructions supplied with the connected equipment.
- If you connect/disconnect the AC power cord (mains lead), wait for more than 15 seconds and operate the system.
- If you connect the audio output of the video equipment and the system using a cable other than an HDMI cable, no sound may be output because of "BRAVIA" Sync. In this case, set "CTRL" to "OFF" (refer to "Adjusting the settings" in the Operating Instructions) or connect the audio output jack directly to the TV instead of the system.

"PRTECT (protect)" appears on the front panel display.

- Press the I/⏻ button to turn off the system. After "STBY" disappears, disconnect the AC power cord (mains lead), then check that nothing is blocking the ventilation holes of the system.

RESET

If the system still does not operate properly, reset the system as follows:

- 1 Press the I/⏻ button to turn on the subwoofer.**
- 2 Press the I/⏻ button while pressing INPUT and VOL – on the subwoofer.**
"RESET" appears and the system is reset. The menu, SOUND MODE, etc., return to the default settings.

Specifications

Bar Speaker (SS-ST3)

Front L/Front R speakers

Speaker system

2-way speaker system, Passive radiator type

Speaker

Woofers: 30 mm × 100 mm cone type

Tweeter: 14 mm dome type

Passive radiator: 30 mm × 100 mm cone type

Rated impedance

3 ohms

Center speaker

Speaker system

2-way speaker system, Acoustic suspension type

Speaker

Woofers: 30 mm × 100 mm cone type × 2

Tweeter: 14 mm dome type

Rated impedance

3 ohms

General

Dimensions (approx.) (w/h/d)

900 mm × 40 mm × 32.5 mm (without stands)

900 mm × 42 mm × 30 mm (with stands)

Mass (approx.)

0.9 kg (with stands)

Subwoofer (SA-WST3)

Amplifier section

POWER OUTPUT (rated)

Front L + Front R: 15 W + 15 W (at 3 ohms, 1 kHz, 1 % THD)

POWER OUTPUT (reference)

Front L / Front R speaker: 25 W × 2 (per channel at 3 ohms, 1 kHz)

continued

Center speaker: 25 W × 2 (per channel at 3 ohm, 1 kHz)
Subwoofer: 75 W × 2 (per channel at 4 ohm, 100 Hz)

Inputs

HDMI IN 1/2/3*
DIGITAL IN TV/OPT
ANALOG IN

* These 3 jacks are identical. Using any of them makes no difference.

Output

HDMI OUT ARC(TV)

Speaker section

Speaker system

Subwoofer, Bass Reflex

Speaker

100 mm × 150 mm cone type × 2

Rated impedance

4 ohms

BLUETOOTH section

Communication system

BLUETOOTH Specification version 3.0

Output

BLUETOOTH Specification Power Class 2

Maximum communication range

Line of sight approx. 10 m¹⁾

Maximum number of devices to be registered

9 devices

Frequency band

2.4 GHz band (2.4000 GHz - 2.4835 GHz)

Modulation method

FHSS (Freq Hopping Spread Spectrum)

Compatible BLUETOOTH profiles²⁾

A2DP (Advanced Audio Distribution Profile)
AVRCP 1.3 (Audio Video Remote Control Profile)

Supported Codecs³⁾

SBC⁴⁾, AAC⁵⁾, aptX

- 1) The actual range will vary depending on factors such as obstacles between devices, magnetic fields around a microwave oven, static electricity, cordless phone, reception sensitivity, operating system, software application, etc.

- 2) BLUETOOTH standard profiles indicate the purpose of BLUETOOTH communication between devices.
- 3) Codec: Audio signal compression and conversion format
- 4) Subband Codec
- 5) Advanced Audio Coding

General

Power requirements

220 V - 240 V AC, 50 Hz/60 Hz

Power consumption

On: 40 W

At Standby mode "Control for HDMI" is off and BLUETOOTH Standby mode is off : 0.5 W or less

Dimensions (approx.)

430 mm × 135 mm × 370.5 mm (w/h/d)

Mass (approx.)

8.2 kg

Digital audio input formats supported by the system

Dolby Digital	DTS-HD High Resolution Audio*
Dolby TrueHD*	DTS-HD Low Bit Rate*
DTS	Linear PCM 2ch 48 kHz or less
DTS 96/24	Linear PCM Maximum 7.1ch 192 kHz or less*
DTS-HD Master Audio*	

* It is possible to input these formats only with HDMI connection.

Video formats supported by the system

Input/Output (HDMI Repeater block)

File	2D	3D		
		Frame packing	Side-by-Side (Half)	Over-Under (Top-and-Bottom)
4096 × 2160p @ 23.98/24 Hz	○	-	-	-
3840 × 2160p @ 29.97/30 Hz	○	-	-	-
3840 × 2160p @ 25 Hz	○	-	-	-
3840 × 2160p @ 23.98/24 Hz	○	-	-	-
1920 × 1080p @ 59.94/60 Hz	○	-	○	○
1920 × 1080p @ 50 Hz	○	-	○	○
1920 × 1080p @ 29.97/30 Hz	○	○	○	○
1920 × 1080p @ 25 Hz	○	○	○	○
1920 × 1080p @ 23.98/24 Hz	○	○	○	○
1920 × 1080i @ 59.94/60 Hz	○	○	○	○
1920 × 1080i @ 50 Hz	○	○	○	○
1280 × 720p @ 59.94/60 Hz	○	○	○	○
1280 × 720p @ 50 Hz	○	○	○	○
1280 × 720p @ 29.97/30 Hz	○	○	○	○
1280 × 720p @ 23.98/24 Hz	○	○	○	○
720 × 480p @ 59.94/60 Hz	○	-	-	-
720 × 576p @ 50 Hz	○	-	-	-
640 × 480p @ 59.94/60 Hz	○	-	-	-

Design and specifications are subject to change without notice.

Information regarding environment-friendly products

- Standby power consumption: 0.5 W or less
- Over 85% power efficiency of amplifier block is achieved with the full digital amplifier, S-Master.

AVERTISSEMENT

N'installez pas cet appareil dans un endroit confiné, comme sur une étagère.

Pour réduire le risque d'incendie, n'obstruez pas l'orifice de ventilation de l'appareil avec un journal, une nappe, une tenture, etc. N'exposez pas l'appareil à une source de flamme nue (par exemple, une bougie allumée).

Pour réduire le risque d'incendie ou d'électrocution, n'exposez pas cet appareil à des éclaboussures ou des gouttes d'eau et ne posez pas dessus des objets remplis de liquides, notamment des vases.

L'appareil n'est pas déconnecté du secteur tant qu'il reste branché sur la prise murale, même si l'appareil proprement dit a été mis hors tension.

La fiche principale étant utilisée pour déconnecter l'unité de l'alimentation secteur, connectez l'unité à une prise secteur aisément accessible. Si vous remarquez une anomalie dans l'appareil, débranchez immédiatement la fiche principale de la prise secteur.

N'exposez pas les piles ou un appareil contenant des piles à une chaleur excessive, notamment aux rayons directs du soleil ou à des flammes.

Utilisation en intérieur uniquement.

Câbles recommandés

Des câbles et des connecteurs blindés et mis à la terre correctement doivent être utilisés pour le raccordement aux ordinateurs hôtes et/ou aux périphériques.

Cet appareil a été testé et répond aux normes définies dans les directives EMC pour l'utilisation d'un câble de connexion inférieur à 3 mètres.

Remarque aux clients : les informations suivantes sont uniquement applicables aux équipements vendus dans des pays où les directives UE sont en vigueur.

Ce produit a été fabriqué par ou pour le compte de Sony Corporation, 1-7-1 Konan Minato-ku Tokyo, 108-0075 Japon. Toutes les questions relatives à la conformité des produits basées sur la législation européenne doivent être adressées à son représentant, Sony Deutschland GmbH, Hedelfinger Strasse 61, 70327 Stuttgart, Allemagne. Pour toute question relative au Service Après-Vente ou à la Garantie, merci de bien vouloir vous référer aux coordonnées qui vous sont communiquées dans les documents « Service (SAV) » ou Garantie.



Par la présente Sony Corp. déclare que cet équipement est conforme aux exigences essentielles et aux autres dispositions pertinentes de la directive 1999/5/CE. Pour toute information complémentaire, veuillez consulter l'URL suivante :

<http://www.compliance.sony.de/>



Traitement des appareils électriques et électroniques en fin de vie (Applicable dans les pays de l'Union Européenne et aux autres pays européens disposant de systèmes de collecte sélective)

Ce symbole, apposé sur le produit ou sur son emballage, indique que ce produit ne doit pas être traité avec les déchets ménagers. Il doit être remis à un point de collecte approprié pour le recyclage des

équipements électriques et électroniques. En vous assurant que ce produit sont mis au rebut de façon appropriée, vous participez activement à la prévention des conséquences négatives que leur mauvais traitement pourrait provoquer sur l'environnement et sur la santé humaine. Le recyclage des matériaux contribue par ailleurs à la préservation des ressources naturelles. Pour toute information complémentaire au sujet du recyclage de ce produit, vous pouvez contacter votre municipalité, votre déchetterie locale ou le point de vente où vous avez acheté le produit.



Elimination des piles et accumulateurs usagés (Applicable dans les pays de l'Union Européenne et aux autres pays européens disposant de systèmes de collecte sélective)

Pb

Ce symbole, apposé sur les piles et accumulateurs ou sur les emballages, indique que les piles et accumulateurs fournis avec ce produit ne doivent pas être traités comme de simples

déchets ménagers.

Sur certains types de piles, ce symbole apparaît parfois combiné avec un symbole chimique. Les symboles pour le mercure (Hg) ou le plomb (Pb) sont rajoutés lorsque ces piles contiennent plus de 0,0005% de mercure ou 0,004% de plomb.

En vous assurant que ces piles et accumulateurs sont mis au rebut de façon appropriée, vous participez activement à la prévention des conséquences négatives que leur mauvais traitement pourrait provoquer sur l'environnement et sur la santé humaine. Le recyclage des matériaux contribue par ailleurs à la préservation des ressources naturelles.

Pour les produits qui pour des raisons de sécurité, de performance ou d'intégrité de données nécessitent une connexion permanente à une pile ou à un accumulateur, il conviendra de vous rapprocher d'un service technique qualifié pour effectuer son remplacement.

En rapportant votre appareil électrique en fin de vie à un point de collecte approprié vous vous assurez que la pile ou l'accumulateur incorporée sera traitée correctement.

Pour tous les autres cas de figure et afin d'enlever les piles ou accumulateurs en toute sécurité de votre appareil, reportez-vous au manuel d'utilisation. Rapportez les piles ou accumulateurs usagés au point de collecte approprié pour le recyclage.

Pour toute information complémentaire au sujet du recyclage de ce produit ou des piles et accumulateurs, vous pouvez contacter votre municipalité, votre déchetterie locale ou le point de vente où vous avez acheté ce produit.

Table des matières

Précautions	5
La technologie sans fil BLUETOOTH	7
Installation de l'enceinte-barre sur un mur	8
Utilisation de la fonction Commande pour HDMI	9
Utilisation des fonctions « BRAVIA » Sync	10
Dépannage	10
Caractéristiques	13

Précautions

Concernant la sécurité

- Si un objet ou du liquide venait à pénétrer à l'intérieur du système, débranchez-le et faites-le vérifier par un technicien qualifié avant de le remettre en marche.
- Ne grimpez pas sur l'enceinte-barre ou le caisson de graves, car vous risqueriez de tomber et de vous blesser, ou encore d'endommager le système.
- Ne placez aucun objet sur le système.
- N'insérez aucun objet dans les orifices (conduit central ou orifices de ventilation à l'arrière) du système.
- Le système vibre pendant son fonctionnement ; il convient donc de le placer de sorte qu'il ne tombe pas accidentellement.

Concernant les sources d'alimentation

- Avant de mettre en marche le système, vérifiez que la tension de fonctionnement est identique à celle de votre source d'alimentation locale. La tension de fonctionnement est indiquée sur l'étiquette située à l'arrière de l'enceinte-barre.
- Si vous prévoyez de ne pas utiliser le système pendant une période prolongée, assurez-vous de le débrancher de la prise murale. Pour débrancher le cordon d'alimentation, tirez sur la fiche et non sur le cordon.
- Une broche de la fiche est plus large que l'autre pour des raisons de sécurité et il n'y a qu'une seule façon de la brancher dans la prise murale. Si vous ne parvenez pas à insérer la fiche entièrement dans la prise, contactez votre revendeur.
- Le cordon d'alimentation doit être remplacé uniquement dans un centre de service après-vente qualifié.

Concernant l'accumulation de chaleur

Bien que le système chauffe lors du fonctionnement, il ne s'agit pas d'un dysfonctionnement. Si vous utilisez le système continuellement à un volume élevé, la température augmente considérablement au niveau de ses faces arrière et inférieure. Pour éviter de vous brûler, ne touchez pas le système.

Concernant l'emplacement

- Un espace suffisant autour du système est nécessaire pour évacuer la chaleur. Lorsque vous placez le système sur une étagère, laissez un espace supérieur à 5 cm au-dessus du système et plus de 5 cm sur les côtés du système. L'étagère située derrière le système doit être ouverte. Si vous placez le système de sorte que sa façade arrière se trouve contre le mur, laissez un espace supérieur à 10 cm entre le système et le mur.
- Laissez la façade avant du système ouverte.
- Ne placez pas le système sur un appareil qui émet de la chaleur.
- Installez le système dans un endroit correctement ventilé pour éviter l'accumulation de chaleur et prolonger la durée de vie de votre système.
- N'installez pas le système à proximité de sources de chaleur ou dans un endroit soumis aux rayons du soleil, à une poussière excessive ou à des chocs mécaniques.
- À l'arrière du système, ne placez aucun objet qui pourrait obstruer les orifices de ventilation et provoquer des dysfonctionnements.
- Si le système est utilisé conjointement avec un téléviseur, un magnétoscope ou un magnétophone, cela peut provoquer des parasites et altérer la qualité de l'image. Dans ce cas, éloignez le système du téléviseur, du magnétoscope ou du magnétophone.
- Faites attention lorsque vous installez le système sur des surfaces traitées (avec de la cire, de l'huile, etc.), car vous risquez de les tacher et de les décolorer.
- Évitez de vous blesser sur les angles de l'enceinte-barre ou du caisson de graves.

Concernant la manipulation du caisson de graves

Ne placez pas la main dans la fente du caisson de graves pour le soulever. Cela risquerait d'endommager le moteur de haut-parleur. Soulevez le caisson de graves en le prenant vers le bas.

Concernant le fonctionnement

Avant de raccorder un autre appareil, assurez-vous d'éteindre et de débrancher le système.

Si l'écran du téléviseur situé à proximité présente des irrégularités de couleurs

Des irrégularités de couleurs peuvent être constatées sur certains types de téléviseurs.

En cas d'irrégularités de couleurs...

Mettez immédiatement le téléviseur hors tension, puis remettez-le sous tension après 15 à 30 minutes.

En cas d'irrégularités de couleurs persistantes...

Éloignez davantage le système du téléviseur.

Concernant l'entretien

Nettoyez le système avec un chiffon sec et doux. N'utilisez pas de tampons abrasifs, de poudre à récurer ou de solvant tel que de l'alcool ou de la benzine.

Si vous avez des questions ou si vous rencontrez des problèmes avec votre système, consultez votre revendeur Sony le plus proche.

Copyrights

Ce système intègre les technologies Dolby* Digital et DTS** Digital Surround System.

* Fabriqué sous licence de Dolby Laboratories. Dolby et le symbole double-D sont des marques commerciales de Dolby Laboratories.

** Fabriqué sous licence des brevets américains suivants : 5 956 674 ; 5 974 380 ; 6 226 616 ; 6 487 535 ; 7 212 872 ; 7 333 929 ; 7 392 195 ; 7 272 567 ainsi que d'autres brevets délivrés ou en instance aux États-Unis et dans le monde. DTS-HD, le symbole et DTS-HD et le symbole associés sont des marques déposées de DTS, Inc. Ce produit comprend un logiciel. © DTS, Inc. Tous droits réservés.

La marque et les logos BLUETOOTH® sont des marques déposées appartenant à Bluetooth SIG, Inc. et leur utilisation par Sony Corporation s'effectue sous licence.

Ce système intègre la technologie High-Definition Multimedia Interface (HDMI™).

Les termes HDMI et HDMI High-Definition Multimedia Interface, et le logo HDMI sont des marques commerciales ou des marques déposées de HDMI Licensing LLC aux États-Unis et dans d'autres pays.

Le logo « BRAVIA » est une marque commerciale de Sony Corporation.

« x.v.Colour » et le logo « x.v.Colour » sont des marques commerciales de Sony Corporation.

N Mark est une marque commerciale ou une marque déposée de NFC Forum, Inc. aux États-Unis et dans d'autres pays.

Android est une marque commerciale de Google Inc.

© 2012 CSR plc et les sociétés de son groupe.

La marque aptX® et le logo aptX sont des marques commerciales de CSR plc ou de l'une des sociétés de son groupe et peuvent être déposés dans un ou plusieurs pays.

Les autres marques commerciales et noms commerciaux appartiennent à leurs propriétaires respectifs.

La technologie sans fil BLUETOOTH

Version et profils BLUETOOTH pris en charge

Un profil fait référence à un ensemble standard de capacités pour diverses capacités de produit BLUETOOTH. Voir « Caractéristiques » (page 13) pour les versions et profils BLUETOOTH pris en charge par ce système.

Remarques

- Pour utiliser la fonction BLUETOOTH, le périphérique BLUETOOTH à connecter doit prendre en charge le même profil que ce système. Même si le périphérique prend en charge le même profil, les fonctions varient selon les caractéristiques du périphérique BLUETOOTH.
- Sur ce système, la lecture audio peut être retardée par rapport au périphérique BLUETOOTH en raison des caractéristiques de la technologie sans fil BLUETOOTH.

Rayon de communication effectif

Les périphériques BLUETOOTH doivent être utilisés à moins de 10 mètres environ (distance sans obstruction) les uns des autres. Le rayon de communication effectif peut diminuer dans les conditions suivantes.

- Lorsqu'une personne, un objet métallique, un mur ou une autre obstruction se trouve entre les périphériques avec une connexion BLUETOOTH
- Endroits où un réseau local sans fil est installé
- Autour de fours micro-ondes qui fonctionnent
- Endroits où d'autres ondes électromagnétiques se produisent

Effets des autres périphériques

Les périphériques BLUETOOTH et le réseau local sans fil (IEEE 802.11b/g) utilisent la même bande de fréquence (2,4 GHz). Lors de l'utilisation d'un périphérique BLUETOOTH près d'un périphérique avec capacité de réseau local sans fil, des interférences électromagnétiques peuvent se produire.

Cela pourrait provoquer des taux de transfert de données inférieurs, des parasites ou l'impossibilité de connexion. Si cela se produit, essayez de prendre les mesures suivantes :

- Essayez de connecter ce système et le téléphone portable BLUETOOTH ou le périphérique BLUETOOTH en vous trouvant à au moins 10 mètres de l'équipement de réseau local sans fil.
- Éteignez l'équipement de réseau local sans fil lorsque vous utilisez votre périphérique BLUETOOTH à moins de 10 mètres.

Effets sur d'autres périphériques

Les ondes radio émises par ce système peuvent provoquer une interférence avec le fonctionnement de certains appareils médicaux. Cette interférence pouvant entraîner un dysfonctionnement, éteignez toujours ce système, un téléphone portable BLUETOOTH et un périphérique BLUETOOTH dans les endroits suivants :

- Dans les hôpitaux, les trains, les avions, les stations d'essence et tout endroit où des gaz inflammables peuvent être présents
- Près de portes automatiques ou d'alarmes incendie

Remarques

- Ce système prend en charge des fonctions de sécurité qui sont conformes aux spécifications BLUETOOTH comme moyen d'assurer la sécurité pendant des communications utilisant la technologie BLUETOOTH. Cette sécurité peut toutefois être insuffisante suivant les réglages et d'autres facteurs ; prenez toujours des précautions lorsque vous effectuez une communication au moyen de la technologie BLUETOOTH.
- Sony ne pourra en aucun cas être tenu responsable de dommages ou autre perte résultant de fuites d'informations pendant une communication au moyen de la technologie BLUETOOTH.
- La communication BLUETOOTH n'est pas nécessairement garantie avec tous les périphériques BLUETOOTH qui ont le même profil que ce système.
- Les périphériques BLUETOOTH connectés avec ce système doivent être conformes aux spécifications BLUETOOTH prescrites par Bluetooth SIG, Inc., et doivent être certifiés comme étant conformes. Toutefois, même lorsqu'un périphérique est conforme aux spécifications BLUETOOTH, certains cas peuvent se produire où les caractéristiques ou spécifications du périphérique BLUETOOTH rendent la connexion impossible ou peuvent entraîner des méthodes de commande, des affichages ou des opérations différentes.
- Des parasites peuvent se produire ou le son peut être coupé suivant le périphérique BLUETOOTH connecté avec ce système, le contexte des communications ou les conditions ambiantes.

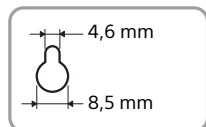
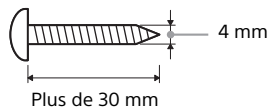
Installation de l'enceinte-barre sur un mur

Vous pouvez installer l'enceinte-barre sur un mur.

Remarques

- Utilisez des vis adaptées au matériau et à la résistance du mur. Comme les plaques de plâtre sont particulièrement fragiles, fixez fermement les vis à une poutre du mur. Installez l'enceinte-barre sur une partie verticale et plate du mur qui est renforcée.
- Veillez à confier l'installation à des revendeurs ou à des installateurs agréés Sony et portez une attention particulière aux consignes de sécurité pendant l'installation.
- Sony ne peut être tenu responsable des accidents ou dégâts occasionnés par une mauvaise installation, une résistance insuffisante du mur, une mauvaise fixation des vis, une catastrophe naturelle, etc.

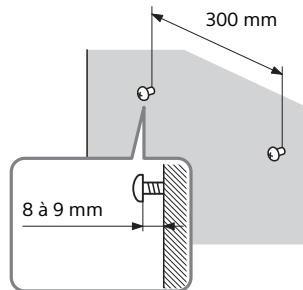
1 Préparez des vis (non fournies) adaptées aux orifices situés au dos de l'enceinte-barre.



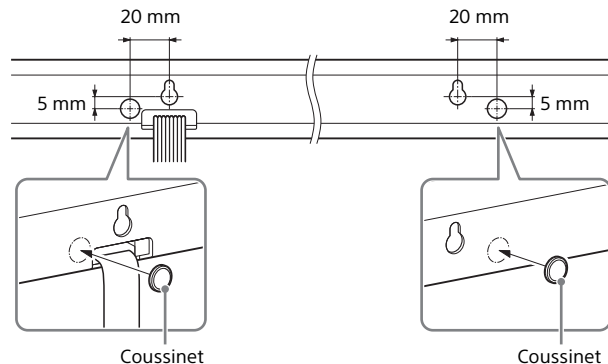
Orifice situé au dos de l'enceinte-barre

2 Fixez les vis au mur.

Les vis doivent dépasser de 8 à 9 mm.

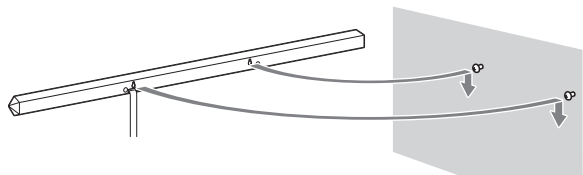


3 Collez les coussinets fournis à l'arrière de l'enceinte-barre.



4 Accrochez l'enceinte-barre aux vis.

Alignez les orifices situés au dos de l'enceinte-barre avec les vis, puis suspendez l'enceinte-barre aux 2 vis.



Utilisation de la fonction Commande pour HDMI

En activant la fonction Commande pour HDMI et en connectant un appareil compatible avec la fonction Commande pour HDMI à l'aide d'un câble HDMI, le fonctionnement est simplifié avec les fonctions ci-dessous.

Mise hors tension du système

Lorsque vous mettez le téléviseur hors tension à l'aide du bouton d'alimentation de sa télécommande, le système et l'appareil raccordé sont mis hors tension automatiquement.

Commande du son du système

Si vous mettez le système sous tension pendant que vous regardez le téléviseur, le son du téléviseur est émis automatiquement par les enceintes du système. Le volume du système est réglé lorsque vous réglez le volume du téléviseur.

Si le son du téléviseur était émis par les enceintes du système la dernière fois que vous avez éteint le téléviseur, le système est mis sous tension automatiquement lorsque vous remettez le téléviseur sous tension, et le son du téléviseur est émis automatiquement par les enceintes du système.

Audio Return Channel (ARC)

Si le téléviseur est compatible avec la technologie Audio Return Channel (ARC), un raccordement à l'aide d'un câble HDMI envoie également un signal audio numérique du téléviseur au système. Pour écouter le son du téléviseur à partir du système, il n'est pas nécessaire de procéder à un raccordement audio distinct.

Lecture une seule touche

Lorsque vous effectuez la lecture avec l'équipement raccordé au système en utilisant un câble HDMI, le téléviseur raccordé est mis sous tension automatiquement et le signal d'entrée du système est basculé sur l'entrée HDMI appropriée.

Remarques

- Il se peut que les fonctions ci-dessus ne fonctionnent pas avec certains équipements.
- En fonction des réglages de l'appareil raccordé, la fonction Commande pour HDMI peut ne pas fonctionner correctement. Reportez-vous au mode d'emploi de l'appareil.

Utilisation des fonctions « BRAVIA » Sync

Les fonctions Sony originales répertoriées ci-dessous peuvent aussi être utilisées avec des produits compatibles avec « BRAVIA » Sync.

Économie d'énergie

Si un téléviseur compatible « BRAVIA » Sync est raccordé au système, vous pouvez réduire la consommation électrique en mode veille en arrêtant la transmission du signal HDMI lorsque le téléviseur est éteint.

Remarques sur les connexions HDMI

- Utilisez un câble HDMI High Speed. Si vous utilisez un câble HDMI standard, 1080p, Deep Color ou 3D/4K, les images risquent de ne pas s'afficher correctement.
- Utilisez un câble agréé HDMI. Utilisez un câble HDMI High Speed Sony portant le logo du type de câble.
- Il est déconseillé d'utiliser un câble de conversion HDMI-DVI.

- Si la qualité d'image est médiocre ou si le son n'est pas émis par l'appareil raccordé à l'aide du câble HDMI, vérifiez la configuration de l'appareil.
- Il est possible que les signaux audio (fréquence d'échantillonnage, longueur binaire, etc.) transmis par une prise HDMI soient supprimés par l'appareil raccordé.
- Le son peut être interrompu en cas de modification de la fréquence d'échantillonnage ou du nombre de canaux des signaux de sortie audio provenant de l'appareil utilisé pour la lecture.
- Si l'appareil raccordé n'est pas compatible avec la technologie de protection des droits d'auteur (HDCP), l'image et/ou le son provenant de la prise HDMI OUT ARC(TV) peuvent être déformés ou absents. Dans ce cas, vérifiez les spécifications de l'appareil raccordé.
- Lorsque « TV » est sélectionné comme source d'entrée du système, les signaux vidéo émis par l'intermédiaire de l'une des prises HDMI IN sélectionnée la dernière fois sont émis depuis la prise HDMI OUT ARC(TV).
- Ce système prend en charge les transmissions Deep Color, « x.v.Colour », 3D et 4K.
- Pour profiter d'images 3D, raccordez un téléviseur compatible 3D et un appareil vidéo (lecteur Blu-ray Disc, « PlayStation®3 », etc.) au système à l'aide de câbles HDMI High Speed, mettez des lunettes 3D, puis activez la lecture d'un Blu-ray Disc compatible 3D.
- Pour profiter d'images 4K, le téléviseur et les lecteurs raccordés au système doivent être compatibles avec les images 4K.

Dépannage

Si vous rencontrez l'une des difficultés suivantes lors de l'utilisation de ce système, consultez ce guide de dépannage pour tenter de remédier au problème. Si le problème persiste, consultez votre revendeur Sony le plus proche.

ALIMENTATION

Le système ne se met pas sous tension.

- Vérifiez que le cordon d'alimentation est correctement raccordé.

Le système se met automatiquement hors tension.

- La fonction « A. STBY » est activée. Réglez « A. STBY » sur « OFF » (reportez-vous à la section « Réglage des sélections » dans le mode d'emploi).

SON

Le système n'émet aucun son provenant du téléviseur.

- Assurez-vous que la source d'entrée est sélectionnée correctement. Vous pouvez essayer d'autres sources d'entrée en appuyant à plusieurs reprises sur le bouton INPUT (reportez-vous à la section « Écoute de sources audio » dans le mode d'emploi).
- Vérifiez le raccordement du câble HDMI, du câble optique numérique ou du câble audio raccordé au système et au téléviseur (reportez-vous à la section « Connexion » dans le mode d'emploi).
- Vérifiez que « TV » s'affiche comme source d'entrée sur l'affichage du panneau frontal.
- Vérifiez la sortie audio du téléviseur.
- Assurez-vous que le volume sonore du téléviseur n'est pas trop faible ou mis en sourdine.
- Lorsqu'un téléviseur compatible avec la technologie Audio Return Channel (ARC) est raccordé avec un câble HDMI, assurez-vous que le câble est raccordé à la prise HDMI (ARC) du téléviseur.
- Si le téléviseur n'est pas compatible avec la technologie Audio Return Channel (ARC), branchez le câble optique numérique en plus du câble HDMI afin de pouvoir émettre le son.

Le système et le téléviseur reproduisent le son.

- Coupez le son du système ou du téléviseur.

Le son est en retard sur l'image du téléviseur.

- Réglez « SYNC » sur « OFF » si cet élément est réglé sur une valeur de 1 à 4 (reportez-vous à la section « Réglage des sélections » dans le mode d'emploi).

L'enceinte-barre ou le caisson de graves ne reproduit aucun son ou ne reproduit que très faiblement le son.

- Appuyez sur VOL + et vérifiez le niveau de volume (reportez-vous à la section « Pièces et commandes » dans le mode d'emploi).
- Appuyez sur MUTING sur la télécommande ou sur VOL + pour annuler la fonction de sourdine (reportez-vous à la section « Pièces et commandes » dans le mode d'emploi).
- Vérifiez que les cordons d'enceinte de l'enceinte-barre sont correctement insérés dans le caisson de graves.
- Assurez-vous que la source d'entrée est sélectionnée correctement. Vous pouvez essayer d'autres sources d'entrée en appuyant à plusieurs reprises sur le bouton INPUT (reportez-vous à la section « Écoute de sources audio » dans le mode d'emploi).
- Vérifiez que la source d'entrée est correctement sélectionnée.
- Vérifiez que tous les câbles et cordons du système de l'appareil raccordé sont complètement insérés.
- Appuyez sur SW VOL + sur la télécommande pour augmenter le niveau du volume du caisson de graves (reportez-vous à la section « Pièces et commandes » dans le mode d'emploi).
- Un caisson de graves permet de reproduire les sons graves. En cas de sources d'entrée contenant très peu de composants sonores graves (par exemple, une émission de télévision), il peut s'avérer difficile d'entendre le son du caisson de graves.

Le son multicanal Dolby Digital ou DTS n'est pas reproduit.

- Vérifiez le réglage audio du format Dolby Digital ou DTS du lecteur Blu-ray Disc, du lecteur DVD, etc., raccordé au système.

Vous n'arrivez pas à obtenir l'effet surround.

- Selon le signal d'entrée et le réglage SOUND MODE, le traitement du son surround peut ne pas fonctionner correctement. L'effet surround peut être subtil selon le programme ou le disque en cours de lecture.
- Si vous raccordez un lecteur Blu-ray Disc ou un lecteur DVD compatible avec la fonction d'effet surround, il est possible que l'effet surround du système ne fonctionne pas. Dans ce cas, désactivez la fonction d'effet surround de l'appareil raccordé. Pour plus d'informations, reportez-vous au mode d'emploi qui accompagne l'appareil raccordé.

BLUETOOTH

Impossible d'établir la connexion BLUETOOTH.

- Assurez-vous que le témoin BLUETOOTH bleu est allumé (reportez-vous à la section « Écoute de sources audio provenant de périphériques BLUETOOTH » dans le mode d'emploi).

État du système	État du témoin
Au cours de l'appariement BLUETOOTH	Clignote rapidement en bleu.
Le système tente de se connecter à l'aide d'un périphérique BLUETOOTH	Clignote en bleu.
Le système a établi une connexion avec un périphérique BLUETOOTH	S'allume en bleu.
Le système est en mode veille BLUETOOTH (lorsque le système est hors tension)	Clignote lentement en bleu.

- Assurez-vous que le périphérique BLUETOOTH à connecter est allumé et que la fonction BLUETOOTH est activée.
- Disposez ce système et le périphérique BLUETOOTH aussi près que possible.
- Appariez de nouveau ce système avec le périphérique BLUETOOTH.
 - Vous devez peut-être d'abord annuler l'appariement avec ce système à l'aide de votre périphérique BLUETOOTH.

Appariement impossible.

- Rapprochez ce système et le périphérique BLUETOOTH (reportez-vous à la section « Écoute de sources audio provenant de périphériques BLUETOOTH » dans le mode d'emploi).
- Assurez-vous que ce système n'est pas exposé à des interférences provenant d'un réseau Wi-Fi, d'autres périphériques sans fil utilisant la fréquence 2,4 GHz ou d'un four micro-ondes. Si un périphérique qui génère un rayonnement électromagnétique se trouve à proximité, éloignez-le de ce système.

La connexion BLUETOOTH est interrompue.

Aucun son n'est émis par le périphérique connecté.

- Rapprochez ce système du périphérique BLUETOOTH.


- Si un périphérique qui génère un rayonnement électromagnétique, par exemple un réseau Wi-Fi, d'autres périphériques BLUETOOTH ou un four micro-ondes se trouve à proximité, éloignez le périphérique de ce système.
- Retirez tous les obstacles entre ce système et le périphérique BLUETOOTH, ou éloignez ce système de l'obstacle.
- Repositionnez le périphérique BLUETOOTH connecté.
- Essayez de modifier la fréquence Wi-Fi du routeur Wi-Fi, de l'ordinateur, etc., vers la bande 5 GHz.

Le son n'est pas synchronisé avec l'image.

- Lorsque vous regardez des films, il peut arriver que le son soit perçu avec un léger retard par rapport à l'image.

AUTRES

La télécommande ne fonctionne pas.

- Pointez la télécommande vers le capteur de la télécommande  sur le système (reportez-vous à la section « Pièces et commandes » dans le mode d'emploi).
- Retirez tous les obstacles se trouvant entre la télécommande et le système.
- Si les piles de la télécommande sont usées, remplacez-les.
- Assurez-vous de presser le bouton correct sur la télécommande.

La fonction Commande pour HDMI ne fonctionne pas correctement.

- Vérifiez la connexion HDMI.
- Configurez la fonction Commande pour HDMI sur le téléviseur.
- Assurez-vous que les appareils raccordés sont compatibles avec « BRAVIA » Sync.
- Vérifiez les réglages de la Commande pour HDMI de l'appareil raccordé. Consultez le mode d'emploi fourni avec l'appareil raccordé.
- Si vous branchez/débranchez le cordon d'alimentation, attendez plus de 15 secondes puis faites fonctionner le système.
- Si vous raccordez la sortie audio de l'appareil vidéo et le système à l'aide d'un câble autre que HDMI, aucun son ne peut être émis en raison de « BRAVIA » Sync. Dans ce cas, réglez « CTRL » sur « OFF » (reportez-vous à la section « Réglage des sélections » dans le mode d'emploi) ou raccordez la prise de sortie audio directement au téléviseur plutôt qu'en passant par le système.

« PRTECT (protéger) » apparaît sur l'affichage du panneau frontal.

→ Appuyez sur le bouton I/⏻ pour éteindre le système. Lorsque « STBY » disparaît, débranchez le cordon d'alimentation, puis vérifiez qu'aucun élément ne bloque les orifices du caisson de graves.

RÉINITIALISER

Si le système ne fonctionne toujours pas correctement, réinitialisez-le comme suit :

1 Appuyez sur le bouton I/⏻ pour allumer le caisson de graves.

2 Appuyez sur le bouton I/⏻ tout en appuyant sur INPUT et VOL – sur le caisson de graves.

« RESET » s'affiche et le système est réinitialisé. Le menu, SOUND MODE, etc., reviennent aux paramètres par défaut.

Caractéristiques

Enceinte-barre (SS-ST3)

Enceintes avant G/avant D

Enceinte

Système d'enceinte 2 voies, type de radiateur passif

Enceinte

Caisson de graves : 30 mm × 100 mm, type cône

Haut-parleur d'aigus : 14 mm type dôme

Radiateur passif : 30 mm × 100 mm, type cône

Impédance nominale

3 ohms

Enceinte centrale

Enceinte

Enceinte 2 voies, type de suspension acoustique

Enceinte

Caisson de graves : 30 mm × 100 mm, type cône × 2

Haut-parleur d'aigus : 14 mm type dôme

Impédance nominale

3 ohms

Caractéristiques générales

Dimensions (environ) (l/h/p)

900 mm × 40 mm × 32,5 mm (sans supports)

900 mm × 42 mm × 30 mm (avec supports)

Poids (environ)

0,9 kg (avec supports)

Caisson de graves (SA-WST3)

Section amplificateur

PUISSANCE DE SORTIE (nominale)

Avant G + Avant D : 15 W + 15 W (à 3 ohms, 1 kHz, 1 % THD)

PUISSANCE DE SORTIE (référence)

Enceinte avant G/avant D : 25 W × 2 (par canal à 3 ohms, 1 kHz)

Enceinte centrale : 25 W × 2 (par canal à 3 ohms, 1 kHz)

Caisson de graves : 75 W × 2 (par canal à 4 ohms, 100 Hz)

suite

Entrées

HDMI IN 1/2/3*
DIGITAL IN TV/OPT
ANALOG IN

* Ces 3 prises sont identiques. L'utilisation de l'une ou de l'autre n'entraîne aucune différence.

Sortie

HDMI OUT ARC(TV)

Section de l'enceinte

Enceinte

Caisson de graves, Bass Reflex

Enceinte

100 mm × 150 mm, type cône × 2

Impédance nominale

4 ohms

Section BLUETOOTH

Système de communication

Spécification BLUETOOTH version 3.0

Sortie

Spécification BLUETOOTH puissance classe 2

Rayon de communication maximum

Ligne de vue d'environ 10 m¹⁾

Nombre maximal de périphériques à enregistrer

9 périphériques

Bande de fréquence

Bande 2,4 GHz (2,4000 GHz - 2,4835 GHz)

Méthode de modulation

FHSS (Freq Hopping Spread Spectrum)

Profils BLUETOOTH compatibles²⁾

A2DP (Advanced Audio Distribution Profile)

AVRCP 1.3 (Audio Video Remote Control Profile)

Codecs pris en charge³⁾

SBC⁴⁾, AAC⁵⁾, aptX

- 1) Le rayon réel varie en fonction de facteurs comme des obstacles entre périphériques, des champs magnétiques autour d'un four micro-ondes, l'électricité statique, les téléphones sans fil, la sensibilité de réception, le système d'exploitation, l'application logicielle, etc.
- 2) Les profils standard BLUETOOTH indiquent l'objectif de la communication BLUETOOTH entre les périphériques.

3) Codec : Format de conversion et de compression du signal audio

4) Subband Codec

5) Advanced Audio Coding

Caractéristiques générales

Puissance de raccordement

220 V - 240 V CA, 50 Hz/60 Hz

Consommation électrique

Marche : 40 W

En mode Veille, « Commande pour HDMI » est désactivé et le mode

Veille de BLUETOOTH est désactivé : 0,5 W ou moins

Dimensions (environ)

430 mm × 135 mm × 370,5 mm (l/h/p)

Poids (environ)

8,2 kg

Formats d'entrée audio numérique pris en charge par le système

Dolby Digital

DTS-HD High Resolution Audio*

Dolby TrueHD*

DTS-HD Low Bit Rate*

DTS

Linear PCM 2ch 48 kHz ou moins

DTS 96/24

Linear PCM Maximum 7.1ch 192 kHz ou moins*

DTS-HD Master Audio*

* Il est possible de saisir ces formats uniquement avec une connexion HDMI.

Formats vidéo pris en charge par ce système

Entrée/Sortie (Bloc répéteur HDMI)

Fichier	2D	3D		
		Paquet d'images	Côte à côte (Demi)	Dessus-Dessous (Haut et bas)
4096 × 2160p à 23,98/24 Hz	○	-	-	-
3840 × 2160p à 29,97/30 Hz	○	-	-	-
3840 × 2160p à 25 Hz	○	-	-	-
3840 × 2160p à 23,98/24 Hz	○	-	-	-
1920 × 1080p à 59,94/60 Hz	○	-	○	○
1920 × 1080p à 50 Hz	○	-	○	○
1920 × 1080p à 29,97/30 Hz	○	○	○	○
1920 × 1080p à 25 Hz	○	○	○	○
1920 × 1080p à 23,98/24 Hz	○	○	○	○
1920 × 1080i à 59,94/60 Hz	○	○	○	○
1920 × 1080i à 50 Hz	○	○	○	○
1280 × 720p à 59,94/60 Hz	○	○	○	○
1280 × 720p à 50 Hz	○	○	○	○
1280 × 720p à 29,97/30 Hz	○	○	○	○
1280 × 720p à 23,98/24 Hz	○	○	○	○
720 × 480p à 59,94/60 Hz	○	-	-	-
720 × 576p à 50 Hz	○	-	-	-
640 × 480p à 59,94/60 Hz	○	-	-	-

La conception et les caractéristiques sont sujettes à modification sans préavis.

Informations relatives aux produits sains pour l'environnement

- Consommation électrique en veille : 0,5 W ou moins
- Plus de 85% du rendement énergétique du bloc amplificateur est obtenu avec l'amplificateur entièrement numérique, S-Master.

ADVERTENCIA

No instale el aparato en un espacio cerrado, como una estantería.

Para reducir el riesgo de incendio, no cubra la abertura de ventilación del dispositivo con periódicos, paños, cortinas, etc. No exponga el dispositivo a fuentes de llamas vivas (velas encendidas, por ejemplo).

Para reducir el riesgo de incendio o descarga eléctrica, no exponga el dispositivo a goteos ni salpicaduras de líquidos. No coloque objetos llenos de líquido, como vasos, sobre el dispositivo.

Aunque apague la unidad, no se desconectará de la red mientras permanezca conectada a la toma de CA.

Conecte la unidad a una toma de pared fácilmente accesible, puesto que el enchufe principal se utiliza para desenchufar la unidad de la fuente de alimentación. Si detecta cualquier anomalía, extraiga inmediatamente el enchufe de la toma de alimentación de CA.

No exponga las baterías ni los dispositivos con batería a un calor excesivo, como la luz directa del sol o fuego.

Solo para usos interiores.

Cables recomendados

Para conectar los ordenadores host y/o los periféricos deben utilizarse conectores y cables con una puesta a tierra y un blindaje correctos.

Este equipo ha sido probado y conformado a los límites establecidos en la Directiva de EMC con un cable de conexión de menos de 3 metros de longitud.

Aviso para los clientes: la siguiente información es aplicable únicamente a productos vendidos en países en los cuales rigen las directivas de la UE.

Este producto ha sido fabricado por, o en nombre de Sony Corporation, 1-7-1 Konan Minato-ku Tokyo, 108-0075 Japón. Las consultas relacionadas con la conformidad del producto basadas en la legislación de la Unión Europea deben dirigirse al representante autorizado, Sony Deutschland GmbH, Hedelfinger Strasse 61, 70327 Stuttgart, Alemania. Para cualquier asunto relacionado con el servicio o la garantía, por favor diríjase a la dirección indicada en los documentos de servicio o garantía adjuntados con el producto.



Por medio de la presente Sony Corp. declara que este equipo cumple con los requisitos esenciales y cualesquiera otras disposiciones aplicables o exigibles de la Directiva 1999/5/CE.

Para mayor información, por favor consulte el siguiente URL:
<http://www.compliance.sony.de/>



Tratamiento de los equipos eléctricos y electrónicos al final de su vida útil (aplicable en la Unión Europea y en países europeos con sistemas de tratamiento selectivo de residuos)

Este símbolo en el equipo o en su embalaje indica que el presente producto no puede ser tratado como residuos doméstico normal. Debe entregarse en el correspondiente punto de recogida de

equipos eléctricos y electrónicos. Al asegurarse de que este producto se desecha correctamente, usted Ayuda a prevenir las consecuencias potencialmente negativas para el medio ambiente y la salud humana que podrían derivarse de la incorrecta manipulación en el momento de deshacerse de este producto. El reciclaje de materiales ayuda a conservar los recursos naturales.

Para recibir información detallada sobre el reciclaje de este producto, póngase en contacto con el ayuntamiento, el punto de recogida más cercano o el establecimiento donde ha adquirido el producto.



Tratamiento de las baterías al final de su vida útil (aplicable en la Unión Europea y en países europeos con sistemas de recogida selectiva de residuos)

Este símbolo en la batería o en el embalaje indica que la batería proporcionada con este producto no puede ser tratada como un residuo doméstico normal.

En algunas baterías este símbolo puede utilizarse en combinación con el símbolo químico. El símbolo químico del mercurio (Hg) o del plomo (Pb) se añadirá si la batería contiene más del 0,0005% de mercurio o del 0,004% de plomo.

Al asegurarse de que estas baterías se desechan correctamente, Ud. ayuda a prevenir las consecuencias negativas para el medio ambiente y la salud humana que podrían derivarse de la incorrecta manipulación en el momento de deshacerse de la batería. El reciclaje de materiales ayuda a conservar los recursos naturales.

En el caso de productos que por razones de seguridad, rendimiento o mantenimiento de datos, sea necesaria una conexión permanente con la batería incorporada, esta batería solo deberá ser reemplazada por personal técnico cualificado para ello.

Para asegurarse de que la batería será tratada correctamente, entregue el producto al final de su vida útil en un punto de recogida para el reciclado de aparatos eléctricos y electrónicos.

Para las demás baterías, vea la sección donde se indica cómo quitar la batería del producto de forma segura.

Deposite la batería en el correspondiente punto de recogida para el reciclado.

Para recibir información detallada sobre el reciclaje de este producto o de la batería, póngase en contacto con el ayuntamiento, el punto de recogida más cercano o el establecimiento donde ha adquirido el producto.

Índice

Precauciones	5
Tecnología inalámbrica BLUETOOTH	7
Instalación del altavoz de barra en la pared	8
Uso de la función Control por HDMI	9
Utilización de las funciones de "BRAVIA" Sync	10
Solución de problemas	10
Especificaciones	13

Precauciones

Seguridad

- Si se introduce algún objeto o cae líquido en el sistema, desenchúfelo y haga que lo revise un técnico especializado antes de volver a utilizarlo.
- No se suba sobre el altavoz de barra ni sobre el altavoz potenciador de graves, ya que podría caerse y lesionarse, o bien provocar daños en el sistema.
- No coloque ningún objeto encima del sistema.
- No inserte ningún objeto en los orificios del sistema (conducto central u orificios de ventilación de la parte posterior).
- Dado que el sistema vibra durante el funcionamiento, colóquelo de modo que no se caiga por accidente.

Fuente de alimentación

- Antes de utilizar el sistema, compruebe que la tensión de funcionamiento coincide con su nivel de suministro. La tensión de funcionamiento figura en la placa identificativa de la parte posterior del altavoz de barra.
- Si no va a utilizar el sistema durante un período prolongado de tiempo, no olvide desconectarlo de la toma de pared. Para desconectar el cable de alimentación de CA, tire del enchufe, nunca del cable.
- Una de las clavijas del enchufe es más ancha que la otra por motivos de seguridad y puede introducirse en la toma de pared en un solo sentido. Si tiene dificultades para introducir completamente el enchufe en la toma de pared, hable con su distribuidor.
- El cable de alimentación de CA solo deberá ser sustituido en un establecimiento cualificado.

Acumulación de calor

El sistema se calienta durante su funcionamiento, pero no se trata de un problema. Si utiliza el sistema de forma continuada a un volumen elevado, la temperatura en sus zonas posterior e inferior puede aumentar considerablemente. No toque el sistema, ya que podría quemarse.

Colocación

- Es necesario dejar espacio suficiente alrededor del sistema para permitir la salida de calor. Si coloca el sistema en un estante, deje más de 5 cm de

espacio por encima del sistema y más de 5 cm de espacio en los laterales del sistema. El estante posterior del sistema debe estar abierto. Si coloca el sistema con la parte posterior contra la pared, deje más de 10 cm de espacio entre el sistema y la pared.

- Deje la parte frontal del sistema abierta.
- No coloque el sistema encima de un dispositivo que emita calor.
- Coloque el sistema en un lugar con ventilación adecuada para evitar la acumulación de calor y prolongar la vida del sistema.
- No instale el sistema cerca de fuentes de calor ni en lugares expuestos a la luz solar directa, a polvo excesivo o a impactos mecánicos.
- No coloque en la parte posterior del sistema objetos que puedan bloquear sus orificios de ventilación y provocar averías.
- Si el sistema se utiliza junto con un televisor, un vídeo o un radiocasete, es posible que se produzcan ruidos y que se vea afectada la calidad de imagen. En este caso, mantenga el sistema alejado del televisor, vídeo o radiocasete.
- Tenga cuidado cuando coloque el sistema en superficies con tratamientos especiales (de cera, aceite, abrillantador, etc.), ya que podría desteñir o decolorar la superficie.
- Tenga cuidado para evitar posibles lesiones con las esquinas del altavoz de barra o del altavoz potenciador de graves.

Manipulación del altavoz potenciador de graves

No introduzca la mano en la hendidura del altavoz potenciador de graves cuando lo levante. El controlador del altavoz podría resultar dañado. Cuando levante el altavoz potenciador de graves, sujételo por su parte inferior.

Funcionamiento

Antes de conectar algún otro equipo, verifique que ha apagado y desenchufado el sistema.

Si se producen irregularidades en el color de un televisor próximo

En determinados televisores es posible que se produzcan irregularidades con el color.

Si el color presenta irregularidades

Apague el televisor y vuelva a encenderlo después de un período de entre 15 y 30 minutos.

Si el color continúa presentando irregularidades

Instale el sistema en un lugar más alejado del televisor.

Limpieza

Limpie el sistema con un paño suave y seco. No utilice estropajos, polvos limpiadores ni disolventes, como alcohol o bencina.

Si desea realizar alguna consulta o solucionar algún problema relacionado con el sistema, póngase en contacto con el distribuidor Sony más próximo.

Derechos de autor

Este sistema incorpora Dolby* Digital y DTS** Digital Surround System.

* Fabricado bajo licencia de Dolby Laboratories.

Dolby y el símbolo de la doble D son marcas comerciales de Dolby Laboratories.

** Fabricado bajo licencia amparado por las patentes de los Estados Unidos: 5.956.674; 5.974.380; 6.226.616; 6.487.535; 7.212.872; 7.333.929; 7.392.195; 7.272.567 y otras patentes estadounidenses e internacionales emitidas y pendientes. DTS-HD, el símbolo, DTS-HD y el símbolo son marcas comerciales registradas de DTS, Inc.

El producto incluye el software. © DTS, Inc.

Todos los derechos reservados.

La marca de la palabra BLUETOOTH® y sus logotipos son marcas comerciales registradas de Bluetooth SIG, Inc. y cualquier uso de los mismos por parte de Sony Corporation se realiza bajo licencia.

Este sistema incorpora tecnología High-Definition Multimedia Interface (HDMI™).

Los términos HDMI y HDMI High-Definition Multimedia Interface y el logotipo de HDMI son marcas comerciales o marcas comerciales registradas de HDMI Licensing LLC en los Estados Unidos y otros países.

El logotipo de "BRAVIA" es una marca comercial de Sony Corporation.

"x.v.Colour" y el logotipo de "x.v.Colour" son marcas comerciales de Sony Corporation.

N Mark es una marca comercial o una marca comercial registrada de NFC Forum, Inc. en los Estados Unidos y en otros países.

Android es una marca comercial de Google Inc.

© 2012 CSR plc y empresas de su Grupo.

La marca aptX® y el logotipo aptX son marcas comerciales de CSR plc o de una de las empresas de su Grupo, y pueden estar registrados en una o más jurisdicciones.

Las demás marcas y nombres comerciales pertenecen a sus respectivos propietarios.

Tecnología inalámbrica BLUETOOTH

Versiones y perfiles de BLUETOOTH compatibles

Se denomina perfil a un conjunto estándar de funcionalidades que engloba distintas funcionalidades de productos BLUETOOTH. Consulte "Especificaciones" (página 13) para obtener información sobre la versión de BLUETOOTH y los perfiles compatibles con este sistema.

Notas

- Para poder utilizar la función de BLUETOOTH, es necesario que el dispositivo BLUETOOTH que desea conectar tenga el mismo perfil que este sistema. Incluso si el dispositivo es compatible con el mismo perfil, puede que las funciones sean diferentes debido a las especificaciones del dispositivo BLUETOOTH.
- Puede que la reproducción de audio en el sistema se retrase con respecto a la del dispositivo BLUETOOTH debido a las características de la tecnología inalámbrica BLUETOOTH.

Rango de comunicación efectivo

Los dispositivos BLUETOOTH deben estar a una distancia máxima de aproximadamente 10 metros (sin obstáculos) entre ellos. El rango de comunicación efectiva puede que sea menor en función de las siguientes condiciones.

- Cuando haya una persona, un objeto metálico, una pared u otro obstáculo entre los dispositivos enlazados con una conexión BLUETOOTH
- Entornos en los que haya una LAN inalámbrica instalada
- Cerca de hornos microondas que se estén utilizando
- Entornos en los que se produzcan ondas electromagnéticas

Efectos de otros dispositivos

Los dispositivos BLUETOOTH y equipos de LAN inalámbrica (IEEE 802.11b/g) utilizan la misma banda de frecuencia (2,4 GHz). Cuando utilice un dispositivo BLUETOOTH cerca de un dispositivo con capacidad de LAN inalámbrica, puede que se produzcan interferencias electromagnéticas.

Esta situación podría producir una velocidad de transferencia de datos menor, ruido o imposibilidad de conectarse. Si así sucede, pruebe los siguientes consejos:

- Pruebe a conectar el sistema y el teléfono móvil con BLUETOOTH o el dispositivo BLUETOOTH cuando se encuentre al menos a 10 metros de distancia del equipo de LAN inalámbrica.
- Apague el equipo de LAN inalámbrica cuando esté utilizando el dispositivo BLUETOOTH en un radio de 10 metros.

Efectos en otros dispositivos

Las ondas de radio emitidas por el sistema puede que interfieran en el funcionamiento de algunos dispositivos médicos. Debido a que estas interferencias pueden provocar averías, apague en todo momento el sistema, los teléfonos móviles con BLUETOOTH y los dispositivos BLUETOOTH en los siguientes lugares:

- En hospitales, trenes, aviones, gasolineras y en cualquier otro lugar en donde haya gases inflamables
- Cerca de puertas automáticas o alarmas de fuego

Notas

- Este sistema es compatible con las funciones de seguridad que cumplen con la especificación BLUETOOTH, que es el medio por el cual se garantiza la seguridad al comunicarse mediante la tecnología BLUETOOTH. No obstante, puede que la seguridad proporcionada no sea suficiente en función de los contenidos de configuración y otros factores, por lo que tenga cuidado en todo momento a la hora de establecer comunicación mediante la tecnología BLUETOOTH.
- Sony no podrá considerarse responsable de ningún modo por cualquier daño o pérdida que se produzca debido a filtraciones de información durante la comunicación establecida con la tecnología BLUETOOTH.
- La comunicación BLUETOOTH no está garantizada necesariamente en todos los dispositivos BLUETOOTH que tengan el mismo perfil que este sistema.
- Los dispositivos BLUETOOTH conectados con este sistema tienen que cumplir con la especificación BLUETOOTH prescrita por Bluetooth SIG, Inc., y tienen que estar certificados para poder cumplir con ella. No obstante, incluso cuando un dispositivo cumpla con la especificación BLUETOOTH, puede que haya casos en los que las características o especificaciones del dispositivo BLUETOOTH no permitan conectarse,

o bien puede que produzca diferentes métodos de control, visualización o funcionamiento.

- Puede que se produzca ruido o puede que el audio se vea interrumpido dependiendo del dispositivo BLUETOOTH que haya conectado al sistema, del entorno de comunicaciones o de las condiciones ambientales.

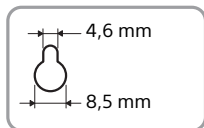
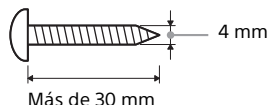
Instalación del altavoz de barra en la pared

Es posible instalar el altavoz de barra en una pared.

Notas

- Utilice tornillos adecuados para el material y la resistencia de la pared. Las paredes de paneles de yeso son especialmente frágiles, por lo que recomendamos clavar los tornillos en una viga. Instale el altavoz de barra en una superficie vertical, lisa y reforzada de la pared.
- Confíe siempre la instalación a distribuidores de Sony o a empresas con licencia y tenga siempre muy en cuenta la seguridad durante la instalación.
- Sony declina toda responsabilidad en caso de accidentes o daños provocados por una mala instalación, una pared poco resistente, una mala colocación de los tornillos o un desastre natural, etc.

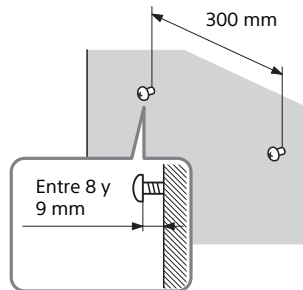
1 Utilice siempre tornillos (no suministrados) adecuados para los orificios de la parte posterior del altavoz de barra.



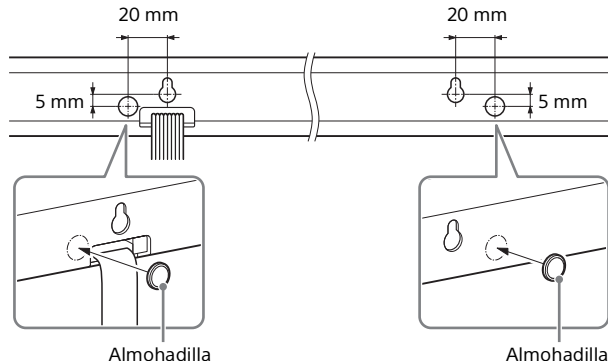
Orificio de la parte posterior del altavoz de barra

2 Fije los tornillos a la pared.

Los tornillos deben sobresalir entre 8 y 9 mm.

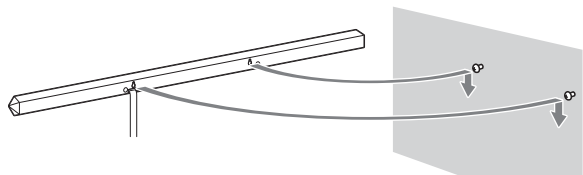


3 Pegue las almohadillas suministradas en la parte trasera del altavoz de barra.



4 Cuelgue el altavoz de barra en los tornillos.

Alinee los orificios de la parte posterior del altavoz de barra con los tornillos y, a continuación, cuelgue el altavoz de barra en los 2 tornillos.



Uso de la función Control por HDMI

Cuando se activa la función Control por HDMI y se conecta un equipo compatible con ella a través de un cable HDMI, el funcionamiento se simplifica con las funciones siguientes.

Apagado del sistema

Al apagar el televisor con el botón de encendido del mando a distancia del televisor, el sistema y los equipos conectados se apagan automáticamente.

Control de audio del sistema

Si el sistema se enciende mientras se está viendo la televisión, el sonido del televisor se emite automáticamente desde los altavoces del sistema. El volumen del sistema se ajusta al ajustar el volumen del televisor. Si el sonido del televisor se emitía desde los altavoces del sistema la última vez que se apagó el televisor, el sistema se enciende automáticamente al encender de nuevo el televisor, y el sonido del televisor se emite automáticamente desde los altavoces del sistema.

Audio Return Channel (ARC)

Si el televisor es compatible con la tecnología Audio Return Channel (ARC), la conexión del cable HDMI también envía una señal de audio digital desde el televisor al sistema. No es necesario realizar una conexión de audio por separado para escuchar el sonido del televisor por el sistema.

Reproducción mediante una pulsación

Cuando se reproducen contenidos en equipos conectados al sistema con un cable HDMI, el televisor conectado se enciende automáticamente y la señal de entrada del sistema cambia a la entrada HDMI adecuada.

continúa

Notas

- Es posible que las funciones anteriores no estén operativas con determinados equipos.
- Es posible que la función Control por HDMI no funcione correctamente, dependiendo de los ajustes de los equipos conectados. Consulte el manual de instrucciones del equipo en cuestión.

Utilización de las funciones de "BRAVIA" Sync

Las funciones originales de Sony enumeradas a continuación también pueden usarse con productos que sean compatibles con "BRAVIA" Sync.

Ahorro de energía

Si se conecta un televisor compatible con "BRAVIA" Sync al sistema, el consumo de energía se reduce en el modo de espera gracias a que la transmisión de la señal HDMI se detiene cuando se apaga el televisor.

Notas acerca de las conexiones HDMI

- Utilice un cable High Speed HDMI. Si utiliza un cable HDMI estándar, es posible que las imágenes 1080p, Deep Color o 3D/4K no se visualicen correctamente.
- Utilice un cable HDMI autorizado. Utilice un cable Sony High Speed HDMI con el logotipo de tipo de cable.
- No es recomendable utilizar un cable de conversión HDMI-DVI.
- Compruebe la configuración del equipo conectado si la imagen es de baja calidad o si el sonido no se emite por el equipo conectado mediante el cable HDMI.

- Es posible que el equipo conectado cancele las señales de audio (frecuencia de muestreo, longitud de bits, etc.) que se transmiten desde una toma HDMI.
- Es posible que se interrumpa el sonido si se modifican la frecuencia de muestreo o el número de canales de las señales de salida de audio del equipo en reproducción.
- Si el equipo conectado no es compatible con la tecnología de protección de derechos de autor (HDCP), es posible que la imagen o el sonido de la toma HDMI OUT ARC(TV) sufra algún tipo de distorsión o que no se emita. En este caso, compruebe las especificaciones del equipo conectado.
- Si se selecciona "TV" como la fuente de entrada del sistema, las señales de vídeo emitidas a través de la toma HDMI IN seleccionada la última vez se emitirán por la toma HDMI OUT ARC(TV).
- Este sistema es compatible con la transmisión Deep Color, "x.v.Colour", 3D y 4K.
- Para visualizar imágenes en 3D, conecte equipos de televisión y vídeo compatibles con 3D (reproductor de Blu-ray Disc, "PlayStation®3", etc.) al sistema utilizando cables High Speed HDMI, póngase unas gafas 3D y reproduzca discos Blu-ray Disc compatibles con 3D.
- Para visualizar imágenes 4K, el televisor y los reproductores conectados al sistema deben ser compatibles con las imágenes 4K.

Solución de problemas

Si le surge cualquiera de las siguientes dificultades mientras emplea el sistema, utilice esta guía de solución de problemas para resolver el problema antes de solicitar asistencia técnica. Si el problema persiste, consulte con el distribuidor Sony más próximo.

ALIMENTACIÓN

El sistema no se enciende.

- ➔ Compruebe que el cable de alimentación de CA está correctamente conectado.

El sistema se apaga automáticamente.

- La función "A. STBY" está activada. Ajuste "A. STBY" en "OFF" (consulte "Ajuste de la configuración" en el manual de instrucciones).

SONIDO

No se reproduce ningún sonido de televisión en el sistema.

- Verifique que la fuente de entrada esté correctamente seleccionada. Pruebe a seleccionar otras fuentes de entrada pulsando el botón INPUT varias veces (consulte "Escuchar el audio" en el manual de instrucciones).
- Compruebe la conexión del cable HDMI, del cable digital óptico o del cable de audio que está conectado al sistema y al televisor (consulte "Conexión" en el manual de instrucciones).
- Compruebe que "TV" aparece como fuente de entrada en el visor del panel frontal.
- Compruebe la salida de audio del televisor.
- Compruebe que el volumen de sonido del televisor no sea demasiado bajo ni esté desactivado.
- Si se utiliza un cable HDMI para conectar un televisor compatible con la tecnología Audio Return Channel (ARC), compruebe que el cable esté conectado en la toma HDMI (ARC) del televisor.
- Si el televisor no es compatible con la tecnología Audio Return Channel (ARC), conecte el cable digital óptico además del cable HDMI para emitir el sonido.

El sonido se reproduce tanto en el sistema como en el altavoz del televisor.

- Apague el sonido del sistema o del televisor.

El sonido va con retraso respecto a la imagen del televisor.

- Ajuste "SYNC" en "OFF" si está ajustado en cualquiera de las opciones 1 a 4 (consulte "Ajuste de la configuración" en el manual de instrucciones).

No se oye ningún sonido o se oye un sonido de muy bajo nivel en el altavoz de barra o en el altavoz potenciador de graves.

- Pulse VOL + y compruebe el nivel del volumen (consulte "Componentes y controles" en el manual de instrucciones).

- Pulse MUTING en el mando a distancia o VOL + para cancelar la función de silencio (consulte "Componentes y controles" en el manual de instrucciones).
- Compruebe que los cables del altavoz de barra estén insertados en el altavoz potenciador de graves de forma segura.
- Verifique que la fuente de entrada esté correctamente seleccionada. Pruebe a seleccionar otras fuentes de entrada pulsando el botón INPUT varias veces (consulte "Escuchar el audio" en el manual de instrucciones).
- Compruebe que la fuente de entrada esté correctamente seleccionada.
- Compruebe que todos los cables del sistema y de los equipos conectados estén totalmente insertados en las tomas.
- Pulse SW VOL + en el mando a distancia para subir el nivel de volumen del altavoz potenciador de graves (consulte "Componentes y controles" en el manual de instrucciones).
- Un altavoz potenciador de graves sirve para reproducir sonidos graves. En el caso de fuentes de entrada que contengan muy pocos componentes de sonidos graves (p. ej., una emisión de televisión), es posible que se oiga con dificultad el sonido en el altavoz potenciador de graves.

El sonido Dolby Digital o DTS multicanal no se reproduce.

- Compruebe los ajustes de audio del formato Dolby Digital o DTS en el reproductor de Blu-ray Disc, reproductor de DVD, etc. conectado al sistema.

No es posible obtener el efecto de sonido envolvente.

- En función de la señal de entrada y del ajuste de SOUND MODE, el procesamiento de sonido envolvente podría no funcionar de forma eficiente. El efecto de sonido envolvente podría ser muy sutil dependiendo del programa o del disco.
- Si conecta un reproductor de Blu-ray Disc o un reproductor de DVD compatible con la función de efecto de sonido envolvente, puede que el efecto de sonido envolvente del sistema no funcione. En este caso, desactive la función de efecto de sonido envolvente del equipo conectado. Para obtener más información, consulte el manual de instrucciones suministrado con el equipo conectado.

BLUETOOTH

No se puede completar la conexión BLUETOOTH.

- Asegúrese de que el indicador BLUETOOTH está encendido en azul (consulte "Escuchar el audio de dispositivos BLUETOOTH" en el manual de instrucciones).

Estado del sistema	Estado del indicador
Durante el emparejamiento BLUETOOTH	Parpadea rápidamente en azul.
El sistema está intentando conectarse con un dispositivo BLUETOOTH	Parpadea en azul.
El sistema ha establecido la conexión con un dispositivo BLUETOOTH	Se ilumina en azul.
El sistema se encuentra en el modo de espera de BLUETOOTH (cuando el sistema está apagado)	Parpadea lentamente en azul.

- Compruebe que el dispositivo BLUETOOTH que se va a conectar está encendido y que la función BLUETOOTH está activada.
- Sitúe el sistema y el dispositivo BLUETOOTH tan cerca como pueda.
- Vuelva a emparejar el sistema y el dispositivo BLUETOOTH.
 - Puede ser que necesite cancelar el emparejamiento con el sistema en su dispositivo BLUETOOTH en primer lugar.

No se puede realizar el emparejamiento.

- Acerque el sistema y el dispositivo BLUETOOTH (consulte "Escuchar el audio de dispositivos BLUETOOTH" en el manual de instrucciones).
- Verifique que el sistema no esté recibiendo interferencias de una red Wi-Fi, de otro dispositivo inalámbrico de 2,4 GHz o de un horno microondas. Si hay cerca un dispositivo que genera radiación electromagnética, aleje dicho dispositivo del sistema.

La conexión BLUETOOTH está desconectada.

No se reproduce ningún sonido del dispositivo conectado.

- Acerque el sistema y el dispositivo BLUETOOTH.
- Si hay cerca un dispositivo que genera radiación electromagnética, como una red Wi-Fi, otro dispositivo BLUETOOTH o un horno microondas, aleje dicho dispositivo del sistema.


- Aparte cualquier obstáculo entre el sistema y el dispositivo BLUETOOTH o bien aparte el sistema del obstáculo.
- Cambie la posición del dispositivo BLUETOOTH conectado.
- Pruebe a cambiar la frecuencia Wi-Fi del router Wi-Fi, ordenador, etc. a una banda de 5 GHz.

El sonido no está sincronizado con la imagen.

- Cuando se ven películas, es posible que el sonido se oiga con un ligero retardo respecto a la imagen.

OTROS

El mando a distancia no funciona.

- Oriente el mando a distancia hacia el sensor del mando a distancia  ubicado en el sistema (consulte "Componentes y controles" en el manual de instrucciones).
- Retire cualquier obstáculo que impida la comunicación entre el mando a distancia y el sistema.
- Sustituya las dos pilas del mando a distancia por otras nuevas si ya no tienen carga.
- Verifique que está pulsando el botón correcto en el mando a distancia.

La función Control por HDMI no funciona correctamente.

- Compruebe la conexión HDMI.
- Ajuste la función Control por HDMI en el televisor.
- Asegúrese de que el equipo conectado sea compatible con "BRAVIA" Sync.
- Compruebe los ajustes de Control por HDMI del equipo conectado. Consulte el manual de instrucciones suministrado con el equipo conectado.
- Si conecta o desconecta el cable de alimentación de CA, espere más de 15 segundos antes de utilizar el sistema.
- Si conecta la salida de audio del equipo de vídeo y el sistema con un cable distinto al cable HDMI, es posible que no se emita ningún sonido a causa de "BRAVIA" Sync. En este caso, ajuste "CTRL" en "OFF" (consulte "Ajuste de la configuración" en el manual de instrucciones) o conecte la toma de salida de audio directamente al televisor en lugar de al sistema.

“PRTECT (proteger)” aparece en el visor del panel frontal.

→ Pulse el botón I/⏻ para apagar el sistema. Una vez haya desaparecido “STBY”, desconecte el cable de alimentación de CA y compruebe que los orificios de ventilación del sistema no estén bloqueados.

RESTABLECER

Si el sistema sigue sin funcionar correctamente, restablezca el sistema del modo siguiente:

- 1 Pulse el botón I/⏻ para encender el altavoz potenciador de graves.**
- 2 Pulse el botón I/⏻ a la vez que pulsa INPUT y VOL – en el altavoz potenciador de graves.**

Aparecerá “RESET” y se restablecerá el sistema. El menú, SOUND MODE, etc. recuperan sus ajustes predeterminados.

Especificaciones

Altavoz de barra (SS-ST3)

Altavoces frontal izquierdo/frontal derecho

Sistema de altavoces

Sistema de altavoces de 2 vías, tipo de radiador pasivo

Altavoz

Altavoz de graves: tipo cónico de 30 mm × 100 mm

Altavoz de agudos: tipo cúpula de 14 mm

Radiador pasivo: tipo cónico de 30 mm × 100 mm

Impedancia nominal

3 ohmios

Altavoz central

Sistema de altavoces

Sistema de altavoces de 2 vías, tipo de suspensión acústica

Altavoz

Altavoz de graves: tipo cónico de 30 mm × 100 mm × 2

Altavoz de agudos: tipo cúpula de 14 mm

Impedancia nominal

3 ohmios

Especificaciones generales

Dimensiones (aprox.) (an/al/prf)

900 mm × 40 mm × 32,5 mm (sin soportes)

900 mm × 42 mm × 30 mm (con soportes)

Peso (aprox.)

0,9 kg (con soportes)

Altavoz potenciador de graves (SA-WST3)

Sección del amplificador

POTENCIA NOMINAL DE SALIDA

Frontal izquierdo + frontal derecho: 15 W + 15 W (a 3 ohmios, 1 kHz, 1 % THD)

POTENCIA DE SALIDA (referencia)

- Altavoz frontal izquierdo/frente derecho: 25 W × 2 (por canal a 3 ohmios, 1 kHz)
- Altavoz central: 25 W × 2 (por canal a 3 ohmios, 1 kHz)
- Altavoz potenciador de graves: 75 W × 2 (por canal a 4 ohmios, 100 Hz)

Entradas

- HDMI IN 1/2/3*
- DIGITAL IN TV/OPT
- ANALOG IN

* Estas 3 tomas son idénticas. Se puede usar cualquiera de ellas indistintamente.

Salida

- HDMI OUT ARC(TV)

Sección de altavoces

Sistema de altavoces

- Altavoz potenciador de graves, reflejo de graves

Altavoz

- Tipo cónico de 100 mm × 150 mm × 2

Impedancia nominal

- 4 ohmios

Sección BLUETOOTH

Sistema de comunicación

- Especificación de BLUETOOTH versión 3.0

Salida

- Especificación de BLUETOOTH Power Class 2

Rango de comunicación máximo

- Campo de visión aprox. 10 m¹⁾

Número máximo de dispositivos registrables

- 9 dispositivos

Banda de frecuencia

- Banda de 2,4 GHz (2,4000 GHz - 2,4835 GHz)

Método de modulación

- FHSS (Freq Hopping Spread Spectrum)

Perfiles BLUETOOTH compatibles²⁾

- A2DP (Advanced Audio Distribution Profile)
- AVRCP 1.3 (Audio Video Remote Control Profile)

Códecs compatibles³⁾

- SBC⁴⁾, AAC⁵⁾, aptX

- 1) El rango real variará en función de diversos factores como los obstáculos que haya entre los dispositivos, los campos magnéticos emitidos por un horno microondas, la electricidad estática, un teléfono inalámbrico, la sensibilidad de la recepción, el sistema operativo, la aplicación de software utilizada, etc.
- 2) Los perfiles de BLUETOOTH estándar indican la finalidad de la comunicación BLUETOOTH entre dispositivos.
- 3) Codec: formato de conversión y compresión de la señal de audio
- 4) Subband Codec
- 5) Advanced Audio Coding

Especificaciones generales

Requisitos de alimentación

- 220 V - 240 V CA, 50 Hz/60 Hz

Consumo de energía

- Encendido: 40 W

En modo de espera con "Control por HDMI" desactivado y el modo de espera de BLUETOOTH desactivado: 0,5 W o menos

Dimensiones (aprox.)

- 430 mm × 135 mm × 370,5 mm (an/al/prf)

Peso (aprox.)

- 8,2 kg

Formatos de entrada de audio digital compatibles con el sistema

Dolby Digital	DTS-HD High Resolution Audio*
Dolby TrueHD*	DTS-HD Low Bit Rate*
DTS	Linear PCM 2ch 48 kHz o menos
DTS 96/24	Linear PCM Maximum 7.1ch 192 kHz o menos*
DTS-HD Master Audio*	

* Estos formatos solo se pueden introducir con la conexión HDMI.

Formatos de vídeo compatibles con el sistema

Entrada/Salida (bloque de repetidor HDMI)

Archivo	2D	3D		
		Compresión de fotogramas	Lado a lado (mitad)	Encima-debajo (arriba y abajo)
4096 × 2160p a 23,98/24 Hz	○	-	-	-
3840 × 2160p a 29,97/30 Hz	○	-	-	-
3840 × 2160p a 25 Hz	○	-	-	-
3840 × 2160p a 23,98/24 Hz	○	-	-	-
1920 × 1080p a 59,94/60 Hz	○	-	○	○
1920 × 1080p a 50 Hz	○	-	○	○
1920 × 1080p a 29,97/30 Hz	○	○	○	○
1920 × 1080p a 25 Hz	○	○	○	○
1920 × 1080p a 23,98/24 Hz	○	○	○	○
1920 × 1080i a 59,94/60 Hz	○	○	○	○
1920 × 1080i a 50 Hz	○	○	○	○
1280 × 720p a 59,94/60 Hz	○	○	○	○
1280 × 720p a 50 Hz	○	○	○	○
1280 × 720p a 29,97/30 Hz	○	○	○	○
1280 × 720p a 23,98/24 Hz	○	○	○	○
720 × 480p a 59,94/60 Hz	○	-	-	-
720 × 576p a 50 Hz	○	-	-	-
640 × 480p a 59,94/60 Hz	○	-	-	-

El diseño y las especificaciones están sujetos a cambios sin previo aviso.

Información relativa a los productos respetuosos con el medio ambiente

- Consumo de energía en modo de espera: 0,5 W o menos
- Más del 85% de la eficiencia energética del bloque del amplificador se consigue gracias al amplificador completamente digital S-Master.

WARNUNG

Stellen Sie die Anlage nicht in einem geschlossenen Bücherregal auf.

Um Feuergefahr zu verringern, decken Sie die Lüftungsöffnungen des Geräts nicht mit Zeitungen, Tischdecken, Vorhängen usw. ab. Schützen Sie das Gerät vor offenen Flammen, wie z. B. brennenden Kerzen.

Um Feuergefahr und die Gefahr eines elektrischen Schlags zu verringern, schützen Sie das Gerät vor Tropf- oder Spritzwasser und stellen Sie keine Gefäße mit Flüssigkeiten darin, wie z. B. Vasen, auf das Gerät.

Das Gerät bleibt auch in ausgeschaltetem Zustand mit dem Stromnetz verbunden, solange das Netzkabel mit der Netzsteckdose verbunden ist.

Schließen Sie das Gerät an eine leicht zugängliche Netzsteckdose an, da das Gerät mit dem Netzstecker vom Netzstrom getrennt wird. Sollten an dem Gerät irgendwelche Störungen auftreten, ziehen Sie sofort den Netzstecker aus der Netzsteckdose.

Schützen Sie Akkus und Batterien bzw. Geräte mit eingelegten Akkus und Batterien vor übermäßiger Hitze, wie z. B. direktem Sonnenlicht und Feuer.

Nur für den Gebrauch in Innenräumen.

Empfohlene Kabel

Für den Anschluss an Hostcomputer und/oder Peripheriegeräte müssen angemessen geschirmte und geerdete Kabel und Anschlüsse verwendet werden.

Dieses Gerät wurde geprüft und entspricht bei Verwendung eines Anschlusskabels von weniger als 3 Metern Länge den Grenzwerten in der EMC-Richtlinie.

Hinweis für Kunden: Die folgenden Informationen gelten nur für Geräte, die in Ländern verkauft werden, in denen EU-Richtlinien gelten.

Dieses Produkt wurde von oder für Sony Corporation, 1-7-1 Konan Minato-ku Tokio, 108-0075 Japan hergestellt. Bei Fragen zur Produktkonformität auf Grundlage der Gesetzgebung der Europäischen Union kontaktieren Sie bitte den Bevollmächtigten Sony Deutschland GmbH, Hedelfinger Strasse 61, 70327 Stuttgart, Deutschland. Für Kundendienst oder Garantieangelegenheiten wenden Sie sich bitte an die in den Kundendienst- oder Garantiedokumenten genannten Adressen.



Hiermit erklärt Sony Corp., dass sich das Gerät in Übereinstimmung mit den grundlegenden Anforderungen und den übrigen einschlägigen Bestimmungen der Richtlinie 1999/5/EG befindet.

Weitere Informationen erhältlich unter:

<http://www.compliance.sony.de/>



Entsorgung von gebrauchten elektrischen und elektronischen Geräten (anzuwenden in den Ländern der Europäischen Union und anderen europäischen Ländern mit einem separaten Sammelsystem für diese Geräte)

Das Symbol auf dem Produkt oder seiner Verpackung weist darauf hin, dass dieses Produkt nicht als normaler Haushaltsabfall zu behandeln ist, sondern an einer Annahmestelle für das Recycling von elektrischen und

elektronischen Geräten abgegeben werden muss. Durch Ihren Beitrag zum korrekten Entsorgen dieses Produkts schützen Sie die Umwelt und die Gesundheit Ihrer Mitmenschen. Umwelt und Gesundheit werden durch falsches Entsorgen gefährdet. Materialrecycling hilft, den Verbrauch von Rohstoffen zu verringern. Weitere Informationen zum Recycling dieses Produkts erhalten Sie bei Ihrer Gemeindeverwaltung, den kommunalen Entsorgungsbetrieben oder dem Geschäft, in dem Sie das Produkt gekauft haben.



Entsorgung von gebrauchten Batterien und Akkus (anzuwenden in den Ländern der Europäischen Union und anderen europäischen Ländern mit einem separaten Sammelsystem für diese Produkte)

Das Symbol auf der Batterie/dem Akku oder der Verpackung weist darauf hin, dass diese nicht als normaler

Haushaltsabfall zu behandeln sind.

Ein zusätzliches chemisches Symbol Pb (Blei) oder Hg (Quecksilber) unter der durchgestrichenen Mülltonne bedeutet, dass die Batterie/der Akku einen Anteil von mehr als 0,0005% Quecksilber oder 0,004% Blei enthält. Durch Ihren Beitrag zum korrekten Entsorgen dieser Batterien/Akkus schützen Sie die Umwelt und die Gesundheit Ihrer Mitmenschen. Umwelt und Gesundheit werden durch falsches Entsorgen gefährdet. Materialrecycling hilft, den Verbrauch von Rohstoffen zu verringern. Bei Produkten, die auf Grund ihrer Sicherheit, der Funktionalität oder als Sicherung vor Datenverlust eine ständige Verbindung zur eingebauten Batterie benötigen, sollte die Batterie nur durch qualifiziertes Servicepersonal ausgetauscht werden.

Um sicherzustellen, dass die Batterie korrekt entsorgt wird, geben Sie das Produkt zwecks Entsorgung an einer Annahmestelle für das Recycling von elektrischen und elektronischen Geräten ab.

Für alle anderen Batterien entnehmen Sie die Batterie bitte entsprechend dem Kapitel über die sichere Entfernung der Batterie. Geben Sie die Batterie an einer Annahmestelle für das Recycling von Batterien/Akkus ab. Weitere Informationen über das Recycling dieses Produkts oder der Batterie erhalten Sie von Ihrer Gemeinde, den kommunalen Entsorgungsbetrieben oder dem Geschäft, in dem Sie das Produkt gekauft haben.

Inhaltsverzeichnis

Sicherheitsmaßnahmen	5
BLUETOOTH-Drahtlostechnologie	7
Installieren der Lautsprechereinheit an einer Wand	8
Verwenden der Funktion „Steuerung für HDMI“	10
Die Verwendung der „BRAVIA“ Sync-Funktionen	10
Störungsbehebung	11
Technische Daten	14

Sicherheitsmaßnahmen

Sicherheit

- Sollten Fremdkörper oder Flüssigkeiten in die Anlage gelangen, lösen Sie das Netzkabel. Lassen Sie die Anlage von qualifiziertem Fachpersonal überprüfen, bevor Sie sie wieder benutzen.
- Klettern Sie nicht auf die Lautsprechereinheit oder den Subwoofer, da Sie herunterfallen und sich verletzen könnten oder es zu Schäden an der Anlage kommen kann.
- Stellen Sie keine Objekte auf die Anlage.
- Führen Sie keine Objekte in die Öffnungen (mittlere Luftkanal- oder Ventilationsöffnungen an der Rückseite) der Anlage ein.
- Da die Anlage während des Betriebs vibriert, muss sie so aufgestellt werden, dass sie nicht aus Versehen herunterfallen kann.

Stromversorgung

- Vergewissern Sie sich vor der Inbetriebnahme der Anlage, dass die Betriebsspannung der lokalen Stromversorgung entspricht. Die Betriebsspannung ist auf dem Typenschild an der Rückseite der Lautsprechereinheit angegeben.
- Wenn Sie die Anlage für längere Zeit nicht verwenden, ziehen Sie das Netzkabel aus der Netzsteckdose. Ziehen Sie dabei immer am Stecker, niemals am Netzkabel.
- Aus Sicherheitsgründen ist ein Stift des Steckers breiter als der andere, sodass der Stecker nur auf eine Art in die Netzsteckdose gesteckt werden kann. Wenn Sie den Stecker nicht vollständig in die Netzsteckdose stecken können, wenden Sie sich an Ihren Händler.
- Das Netzkabel darf nur von einem qualifizierten Kundendienst ausgetauscht werden.

Wärmestau

Die Anlage erwärmt sich während des Betriebs. Dabei handelt es sich aber nicht um eine Fehlfunktion. Wenn die Anlage längere Zeit mit sehr hoher Lautstärke betrieben wird, steigt die Temperatur auf der Rück- und Unterseite beträchtlich an. Berühren Sie die Anlage nicht, um Verbrennungen zu vermeiden.

Aufstellung

- Damit die Wärme abgeführt werden kann, muss um die Anlage ausreichend Freiraum belassen werden. Wenn die Anlage in ein Regal gestellt wird, sollte ein Abstand von mehr als 5 cm nach oben und mehr als 5 cm an den Seiten belassen werden. Das Regal, in dem sich die Anlage befindet, sollte nach hinten offen sein. Wenn die Anlage mit der Rückseite an eine Wand aufgestellt wird, muss zwischen der Wand und der Anlage ein Abstand von mehr als 10 cm belassen werden.
- Lassen Sie die Vorderseite der Anlage offen.
- Stellen Sie die Anlage nicht auf ein Gerät, das Wärme abgibt.
- Stellen Sie die Anlage an einem Ort mit ausreichender Luftzufuhr auf, damit sich kein Wärmestau bildet und die Lebensdauer der Anlage nicht verkürzt wird.
- Stellen Sie die Anlage nicht in der Nähe von Wärmequellen oder an Orten auf, an denen sie direktem Sonnenlicht, außergewöhnlich viel Staub oder Stößen ausgesetzt ist.
- Platzieren Sie keine Gegenstände an der Rückseite der Anlage, die die Lüftungsöffnungen blockieren und so zu Fehlfunktionen führen könnten.
- Wenn die Anlage zusammen mit einem Fernsehgerät, Videorecorder oder Kassettendeck verwendet wird, kann es zu Störgeräuschen kommen und die Bildqualität wird möglicherweise beeinträchtigt. Stellen Sie die Anlage in diesem Fall weiter entfernt vom Fernsehgerät, Videorecorder oder Kassettendeck auf.
- Seien Sie vorsichtig, wenn Sie die Anlage auf besonders behandelte Oberflächen stellen (mit Wachs, Öl, Politur usw.). Es kann zu Flecken bzw. Verfärbungen der Oberfläche kommen.
- Achten Sie darauf, sich nicht an den Ecken der Lautsprechereinheit oder des Subwoofers zu verletzen.

Handhabung des Subwoofers

Legen Sie Ihre Hand nicht in die Spalte des Subwoofers, wenn Sie ihn anheben. Der Lautsprechertreiber könnte beschädigt werden. Halten Sie den Subwoofer beim Anheben an der Unterseite.

Betrieb

Schalten Sie die Anlage unbedingt aus und trennen Sie sie von der Netzsteckdose, bevor Sie andere Geräte anschließen.

Wenn es bei einem Fernsehgerät in der Nähe zu Farbunregelmäßigkeiten kommt

Bei manchen Fernsehgeräten können Farbstörungen auftreten.

Wenn Farbunregelmäßigkeiten auftreten...

Schalten Sie das Fernsehgerät einmal aus und nach 15 bis 30 Minuten wieder ein.

Wenn immer noch Farbunregelmäßigkeiten auftreten...

Stellen Sie die Anlage weiter vom Fernsehgerät entfernt auf.

Reinigung

Reinigen Sie die Anlage mit einem weichen, trockenen Tuch. Verwenden Sie keine Scheuermittel, Scheuerschwämme oder Lösungsmittel wie Alkohol oder Benzin.

Sollten an der Anlage Probleme auftreten oder sollten Sie Fragen haben, wenden Sie sich bitte an Ihren Sony-Händler.

Urheberrechte

Diese Anlage umfasst Dolby* Digital und das DTS** Digital Surround System.

* Hergestellt unter Lizenz von Dolby Laboratories.

Dolby und das Doppel-D-Symbol sind Markenzeichen von Dolby Laboratories.

** Hergestellt unter Lizenz. Die US-Patentnummern lauten: 5.956.674; 5.974.380; 6.226.616; 6.487.535; 7.212.872; 7.333.929; 7.392.195; 7.272.567. Weitere Patente wurden in den USA und weltweit beantragt oder bereits anerkannt. DTS-HD, das Symbol und DTS-HD und das Symbol zusammen sind eingetragene Markenzeichen von DTS, Inc. Das Produkt umfasst Software. © DTS, Inc. Alle Rechte vorbehalten.

Der BLUETOOTH®-Schriftzug und die Bluetooth-Logos sind eingetragene Markenzeichen von Bluetooth SIG, Inc., und ihre Verwendung durch die Sony Corporation erfolgt in Lizenz.

Diese Anlage ist mit HDMI™-Technologie (High-Definition Multimedia Interface) ausgerüstet.

Die Begriffe HDMI und HDMI High-Definition Multimedia Interface sowie das HDMI-Logo sind Warenzeichen oder eingetragene Warenzeichen der HDMI Licensing LLC in den USA und/oder anderen Ländern.

Das „BRAVIA“-Logo ist ein Markenzeichen der Sony Corporation.

„x.v.Colour“ und das „x.v.Colour“-Logo sind Markenzeichen der Sony Corporation.

Das Zeichen N ist ein Markenzeichen oder eingetragenes Markenzeichen von NFC Forum, Inc. in den USA und in anderen Ländern.

Android ist ein Markenzeichen von Google Inc.

© 2012 CSR plc und seine Konzernunternehmen.

Die aptX®-Markierung und das aptX-Logo sind Warenzeichen von CSR plc oder eines seiner Konzernunternehmen und unterliegen eventuell einer oder mehreren Rechtsprechungen.

Andere Markenzeichen und Produktnamen sind Eigentum der jeweiligen Rechteinhaber.

BLUETOOTH-Drahtlostechnologie

Unterstützte BLUETOOTH-Version und -Profile

Der Begriff Profil bezieht sich auf eine Reihe von Fähigkeiten für verschiedene BLUETOOTH-Produktfunktionen. Siehe „Technische Daten“ (Seite 14) zu BLUETOOTH-Versionen und -Profilen, die von diesem System unterstützt werden.

Hinweise

- Zur Verwendung der BLUETOOTH-Funktion muss das BLUETOOTH-Gerät, mit dem eine Verbindung hergestellt werden soll, das gleiche Profil wie diese Anlage unterstützen. Auch wenn das Gerät das gleiche Profil unterstützt, können die Funktionen aufgrund der technischen Daten des BLUETOOTH-Geräts abweichen.
- Die Audiowiedergabe bei dieser Anlage kann aufgrund der Merkmale der BLUETOOTH-Drahtlostechnologie gegenüber dem BLUETOOTH-Gerät verzögert sein.

Effektive Kommunikationsreichweite

BLUETOOTH-Geräte sollten innerhalb von ca. 10 Metern (Abstand ohne Hindernisse) voneinander benutzt werden. Die effektive Kommunikationsreichweite kann unter den folgenden Bedingungen geringer sein:

- Wenn sich eine Person, ein Metallgegenstand, eine Wand oder ein anderes Hindernis zwischen den Geräten mit einer BLUETOOTH-Verbindung befindet
- An Standorten, an denen ein WLAN betrieben wird
- Im Bereich eines Mikrowellengeräts, das in Gebrauch ist
- An Standorten, an denen es zu anderen elektromagnetischen Wellen kommen kann

Auswirkungen anderer Geräte

BLUETOOTH-Geräte und WLAN (IEEE 802.11b/g) verwenden den gleichen Frequenzbereich (2,4 GHz). Wenn Sie Ihr BLUETOOTH-Gerät in der Nähe eines Geräts mit WLAN-Funktion verwenden, kann es zu elektromagnetischen Störungen kommen.

Das kann zu niedrigeren Datenübertragungsraten, Rauschen oder einer nicht herzustellenden Verbindung führen. Versuchen Sie in diesem Fall die folgenden Abhilfemaßnahmen:

- Versuchen Sie, eine Verbindung zwischen dieser Anlage und dem BLUETOOTH-Mobiltelefon oder BLUETOOTH-Gerät herzustellen, während Sie sich mindestens 10 Meter von dem WLAN-Gerät entfernt befinden.
- Schalten Sie die Stromzufuhr für das WLAN-Gerät aus, wenn Sie Ihr BLUETOOTH-Gerät innerhalb eines Abstands von 10 Metern verwenden.

Auswirkungen auf andere Geräte

Die von diesem System übertragenen Funkwellen können den Betrieb einiger medizinischer Geräte stören. Da diese Störungen zu einer Fehlfunktion führen können, sollten Sie die Stromversorgung dieser Anlage, des BLUETOOTH-Mobiltelefons und BLUETOOTH-Geräts an folgenden Orten immer ausschalten:

- In Krankenhäusern, Zügen, Flugzeugen, an Tankstellen und an allen Orten, an denen entflammbare Gase vorhanden sein können
- Im Bereich automatischer Türen oder Feuermelder

Hinweise

- Diese Anlage unterstützt Sicherheitsfunktionen, die der BLUETOOTH-Spezifikation entsprechen, um eine Sicherheit für die Kommunikation mit der BLUETOOTH-Technologie zu gewährleisten. Diese Sicherheit kann aber abhängig von den Einstellungsinhalten und anderen Faktoren unzureichend sein. Seien Sie also immer vorsichtig, wenn Sie per BLUETOOTH-Technologie kommunizieren.
- Sony übernimmt keine Haftung für Schäden oder andere Verluste aufgrund von Informationen, die bei einer Kommunikation mit der BLUETOOTH-Technologie offengelegt wurden.
- Die BLUETOOTH-Kommunikation kann nicht notwendigerweise bei allen BLUETOOTH-Geräten garantiert werden, die das gleiche Profil wie diese Anlage haben.

- BLUETOOTH-Geräte, die mit dieser Anlage verbunden sind, müssen der von Bluetooth SIG, Inc. vorgeschriebenen BLUETOOTH-Spezifikation entsprechen und dementsprechend zertifiziert sein. Aber auch wenn ein Gerät der BLUETOOTH-Spezifikation entspricht, kann es vorkommen, dass Merkmale oder Spezifikationen des BLUETOOTH-Geräts eine Verbindung unmöglich machen, zu anderen Steuerungsmethoden, einer anderen Anzeige oder Bedienung führen.
- Abhängig vom BLUETOOTH-Gerät, das mit dieser Anlage verbunden ist, der Kommunikationsumgebung oder den Umgebungsbedingungen kann es zu Rauschen kommen oder der Ton kann unterbrochen werden.

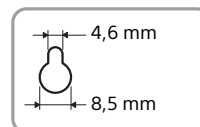
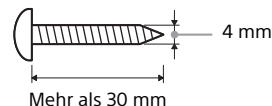
Installieren der Lautsprechereinheit an einer Wand

Sie können die Lautsprechereinheit an der Wand montieren.

Hinweise

- Verwenden Sie Schrauben, die für das Material der Wand und die Wandstärke geeignet sind. Da eine Gipskartonwand besonders fragil ist, befestigen Sie die Schrauben auf sichere Weise an einem tragenden Wandbalken. Montieren Sie die Lautsprechereinheit auf einem vertikalen und flachen verstärkten Wandbereich.
- Lassen Sie die Montagearbeiten unbedingt von Ihrem Sony-Händler oder lizenzierten Fachleuten ausführen und beachten Sie bei der Montage die nötigen Sicherheitsvorkehrungen.
- Sony kann nicht für Unfälle oder Schäden verantwortlich gemacht werden, die durch unvorschriftsmäßige Montage, unzureichende Wandstärke, schlechte Schraubenverankerung, Naturkatastrophen usw. entstehen.

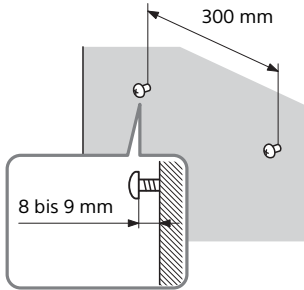
1 Beschaffen Sie Schrauben (nicht mitgeliefert), die sich für die Bohrungen an der Rückseite der Lautsprechereinheit eignen.



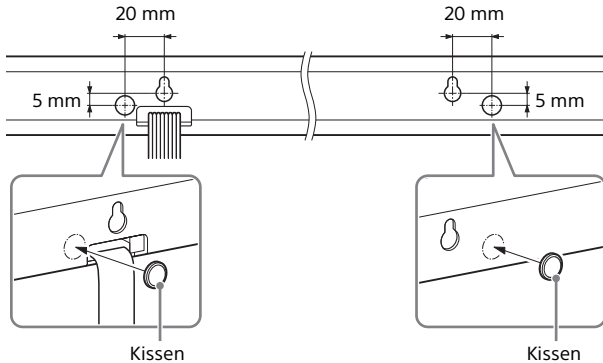
Bohrung an der Rückseite der Lautsprechereinheit

2 Drehen Sie die Schrauben in die Wand.

Die Schrauben müssen 8 bis 9 mm aus der Wand ragen.

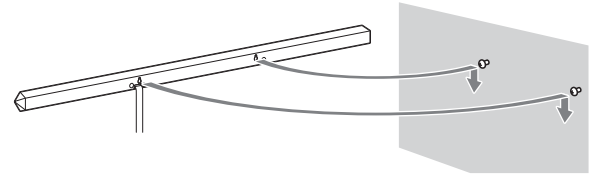


3 Befestigen Sie die mitgelieferten Kissen an der Rückseite der Lautsprechereinheit.



4 Hängen Sie die Lautsprechereinheit an den Schrauben auf.

Richten Sie die Bohrungen an der Rückseite der Lautsprechereinheit an den Schrauben aus und hängen Sie die Lautsprechereinheit dann an den 2 Schrauben auf.



Verwenden der Funktion „Steuerung für HDMI“

Indem die Funktion „Steuerung für HDMI“ aktiviert wird und ein für „Steuerung für HDMI“ fähiges Gerät über ein HDMI-Kabel angeschlossen wird, kann die Bedienung mit den nachfolgenden Funktionen vereinfacht werden.

Systemausschaltung

Wenn Sie das Fernsehgerät über die Ein-/Aus-Taste auf der Fernbedienung des Fernsehgeräts ausschalten, werden die Anlage und die angeschlossenen Geräte automatisch ausgeschaltet.

Systemaudiosteuerung

Wenn Sie die Anlage einschalten, während das Fernsehgerät läuft, wird der Ton des Fernsehgeräts automatisch über die Lautsprecher der Anlage ausgegeben. Die Lautstärke der Anlage wird angepasst, wenn Sie die Lautstärke des Fernsehgeräts regulieren. Wenn der Ton des Fernsehgeräts über die Lautsprecher der Anlage ausgegeben wurde, bevor Sie das Fernsehgerät beim letzten Mal ausgeschaltet haben, wird die Anlage beim erneuten Einschalten des Fernsehgeräts ebenfalls automatisch eingeschaltet. In diesem Fall wird der Ton des Fernsehgeräts automatisch über die Lautsprecher der Anlage ausgegeben.

Audio Return Channel (ARC)

Wenn das Fernsehgerät mit der Audio Return Channel (ARC)-Technologie kompatibel ist, sendet eine HDMI-Kabelverbindung auch ein digitales Audiosignal vom Fernsehgerät an die Anlage. Sie müssen keine separate Audioverbindung herstellen, um den Ton des Fernsehgeräts über die Anlage zu hören.

One-Touch-Wiedergabe

Wenn Sie ein über ein HDMI-Kabel angeschlossenes Gerät abspielen, wird das verbundene Fernsehgerät automatisch eingeschaltet und das Eingangssignal der Anlage wird zum geeigneten HDMI-Eingang gewechselt.

Hinweise

- Die oben genannten Funktionen funktionieren eventuell nicht mit bestimmten Geräten.
- Abhängig von den Einstellungen des angeschlossenen Geräts funktioniert die Funktion „Steuerung für HDMI“ möglicherweise nicht richtig. Schlagen Sie in den Bedienungsanleitungen der jeweiligen Geräte nach.

Die Verwendung der „BRAVIA“ Sync-Funktionen

Die unten aufgeführten Original-Sony-Funktionen können ebenfalls mit Produkten verwendet werden, die mit „BRAVIA“ Sync kompatibel sind.

Energiesparmodus

Wenn ein mit „BRAVIA“ Sync kompatibles Fernsehgerät an die Anlage angeschlossen wird, wird der Energieverbrauch im Bereitschaftsmodus reduziert, indem die HDMI-Signalübertragung gestoppt wird, wenn das Fernsehgerät ausgeschaltet wird.

Hinweise zu HDMI-Verbindungen

- Verwenden Sie ein High Speed HDMI-Kabel. Wenn Sie ein Standard-HDMI-Kabel verwenden, werden Bilder im Format 1080p, Deep Color oder 3D/4K möglicherweise nicht ordnungsgemäß wiedergegeben.
- Verwenden Sie ein autorisiertes HDMI-Kabel.
Verwenden Sie ein Sony High Speed HDMI-Kabel mit dem entsprechenden Kabeltypenlogo.
- Die Verwendung eines HDMI-DVI-Adapterkabels ist nicht empfehlenswert.
- Überprüfen Sie die Konfiguration des angeschlossenen Geräts, wenn das Bild eines über HDMI-Kabel angeschlossenen Geräts schlecht ist oder kein Ton ausgegeben wird.
- Je nach angeschlossenem Gerät sind die über eine HDMI-Buchse übertragenen Audiosignale (Abtastfrequenz, Bitlänge usw.) möglicherweise eingeschränkt.
- Es kann zu Tonaussetzern kommen, wenn die Abtastfrequenz oder die Anzahl der Kanäle der Audio-Ausgangssignale vom Wiedergabegerät wechselt.
- Wenn das angeschlossene Gerät nicht mit der Urheberrechtsschutztechnologie (HDCP) kompatibel ist, sind möglicherweise das Bild und/oder der Ton der HDMI OUT ARC(TV)-Buchse verzerrt oder werden nicht ausgegeben. Überprüfen Sie in diesem Fall die technischen Daten des angeschlossenen Geräts.
- Wenn „TV“ als Eingangsquelle der Anlage ausgewählt ist, werden Videosignale über eine der zuletzt ausgewählten HDMI IN-Buchsen über die HDMI OUT ARC(TV)-Buchse ausgegeben.
- Diese Anlage unterstützt Übertragungen in den Formaten Deep Color, „x.v.Colour“, 3D und 4K.
- Um 3D-Bilder zu genießen, schließen Sie ein 3D-kompatibles Fernsehgerät und Videogerät (Blu-ray Disc-Player, „PlayStation®3“ usw.) über ein High Speed-HDMI-Kabel an die Anlage an, setzen Sie eine 3D-Brille auf und geben Sie dann eine mit 3D kompatible Blu-ray Disc wieder.
- Um 4K-Bilder genießen zu können, müssen die an die Anlage angeschlossenen Fernsehgeräte und Player mit 4K-Bildern kompatibel sein.

Störungsbehebung

Sollten an der Anlage Störungen auftreten, versuchen Sie, diese anhand der folgenden Checkliste zu beheben, bevor Sie die Anlage zur Reparatur bringen. Sollte die Störung bestehen bleiben, wenden Sie sich an Ihren Sony-Händler.

STROM

Die Anlage lässt sich nicht einschalten.

→ Überprüfen Sie, ob das Netzkabel korrekt angeschlossen ist.

Die Anlage wird automatisch ausgeschaltet.

→ Die Funktion „A. STBY“ ist aktiviert. Stellen Sie „A. STBY“ auf „OFF“ (siehe „Anpassen der Einstellungen“ in der Bedienungsanleitung).

TON

Über die Anlage wird der Ton des Fernsehgeräts nicht ausgegeben.

- Stellen Sie sicher, dass die Eingangsquelle richtig ausgewählt wurde. Versuchen Sie eine andere Eingangsquelle durch mehrmaliges Drücken der INPUT-Taste auszuwählen (siehe „Abspielen von Audio“ in der Bedienungsanleitung).
- Überprüfen Sie die Verbindung des HDMI-Kabels, optischen Digitalkabels oder Audiokabels, das mit der Anlage und dem Fernsehgerät verbunden ist (siehe Abschnitt „Herstellen der Verbindung“ in der Bedienungsanleitung).
- Überprüfen Sie, dass „TV“ auf dem Display an der Vorderseite als Eingangsquelle angezeigt wird.
- Überprüfen Sie die Tonausgabe des Fernsehgeräts.
- Überprüfen Sie, dass die Lautstärke des Fernsehgeräts nicht zu niedrig oder stummgeschaltet ist.
- Wenn ein mit der Audio Return Channel (ARC)-Technologie kompatibles Fernsehgerät über ein HDMI-Kabel angeschlossen ist, überprüfen Sie, dass das Kabel an die HDMI (ARC)-Buchse des Fernsehgeräts angeschlossen ist.

Fortsetzung

- Wenn das Fernsehgerät nicht mit der Audio Return Channel (ARC)-Technologie kompatibel ist, schließen Sie das optische Digitalkabel zusätzlich zum HDMI-Kabel an, um den Ton ausgeben zu können.

Der Ton wird sowohl von der Anlage als auch vom Fernsehgerät ausgegeben.

- Schalten Sie den Ton der Anlage oder des Fernsehgeräts aus.

Der Ton ist gegenüber dem Fernsehbild verzögert.

- Setzen Sie „SYNC“ auf „OFF“, wenn eine der Optionen 1 bis 4 ausgewählt ist (siehe „Anpassen der Einstellungen“ in der Bedienungsanleitung).

Die Lautsprechereinheit oder der Subwoofer gibt den Ton nicht oder nur sehr leise wieder.

- Drücken Sie auf VOL + und überprüfen Sie den Lautstärkepegel (siehe „Teile und Steuerungen“ in der Bedienungsanleitung).
- Drücken Sie auf der Fernbedienung auf MUTE oder VOL +, um die Stummschaltfunktion auszuschalten (siehe „Teile und Steuerungen“ in der Bedienungsanleitung).
- Überprüfen Sie, dass die Lautsprecherkabel der Lautsprechereinheit sicher mit dem Subwoofer verbunden sind.
- Stellen Sie sicher, dass die Eingangsquelle richtig ausgewählt wurde. Versuchen Sie eine andere Eingangsquelle durch mehrmaliges Drücken der INPUT-Taste auszuwählen (siehe „Abspielen von Audio“ in der Bedienungsanleitung).
- Überprüfen Sie, ob die Eingangsquelle korrekt ausgewählt ist.
- Überprüfen Sie, ob alle Kabel der Anlage und des angeschlossenen Geräts vollständig eingesteckt sind.
- Drücken Sie auf der Fernbedienung auf SW VOL +, um die Lautstärke des Subwoofers zu erhöhen (siehe „Teile und Steuerungen“ in der Bedienungsanleitung).
- Ein Subwoofer dient zur Wiedergabe von Bässen. Sollte die Eingangsquelle nur sehr geringe Basskomponenten enthalten (wie zum Beispiel eine Fernsehsendung), dann ist der über den Subwoofer ausgegebene Ton nur schwer zu hören.

Es wird kein Dolby Digital- bzw. DTS-Mehrkanalton wiedergegeben.

- Überprüfen Sie die Dolby Digital- oder DTS-Audioeinstellungen des an die Anlage angeschlossenen Blu-ray Disc-Players, DVD-Players usw.

Der Raumklangeffekt fehlt.

- Abhängig vom Eingangssignal und der SOUND MODE-Einstellung funktioniert die Raumklangverarbeitung möglicherweise nicht effizient. Der Raumklangeffekt kann abhängig vom Programm oder der Disc sehr subtil sein.
- Wenn Sie einen Blu-ray Disc-Player oder einen DVD-Player anschließen, der mit der Raumklangeffekt-Funktion kompatibel ist, funktioniert der Raumklangeffekt der Anlage möglicherweise nicht. Schalten Sie in diesem Fall die Raumklangeffekt-Funktion des angeschlossenen Geräts aus. Nähere Informationen finden Sie in der Bedienungsanleitung zum angeschlossenen Gerät.

BLUETOOTH

Die BLUETOOTH-Verbindung kann nicht abgeschlossen werden.

- Stellen Sie sicher, dass die BLUETOOTH-Anzeige in blau leuchtet (siehe „Abspielen von Audio eines BLUETOOTH-Geräts“ in der Bedienungsanleitung).

Systemstatus	Anzeigestatus
Während der BLUETOOTH-Kopplung	Blinkt schnell blau.
Die Anlage versucht, eine Verbindung mit einem BLUETOOTH-Gerät herzustellen.	Blinkt blau.
Die Anlage hat eine Verbindung mit einem BLUETOOTH-Gerät hergestellt.	Leuchtet blau.
Die Anlage befindet sich im BLUETOOTH-Bereitschaftsmodus (wenn die Anlage ausgeschaltet ist).	Blinkt langsam blau.

- Stellen Sie sicher, dass das zu verbindende BLUETOOTH-Gerät eingeschaltet und die BLUETOOTH-Funktion aktiviert ist.
- Stellen Sie diese Anlage und das BLUETOOTH-Gerät in möglichst geringem Abstand zueinander auf.

- Koppeln Sie die Anlage und das BLUETOOTH-Gerät erneut.
 - Sie müssen eventuell die Paarung mit diesem System zuerst über Ihr BLUETOOTH-Gerät abbrechen.

Die Kopplung kann nicht durchgeführt werden.

- Bringen Sie die Anlage und das BLUETOOTH-Gerät näher zusammen (siehe „Abspielen von Audio eines BLUETOOTH-Geräts“ in der Bedienungsanleitung).
- Achten Sie darauf, dass diese Anlage keine Störungen eines Wi-Fi-Netzwerks, anderer 2,4-GHz-Drahtlosgeräte oder eines Mikrowellenherds empfängt. Wenn sich in der Nähe ein Gerät befindet, welches elektromagnetische Strahlung abgibt, erhöhen Sie den Abstand zwischen diesem Gerät und der Anlage.

Die BLUETOOTH-Verbindung ist getrennt.

Es wird kein Ton des angeschlossenen Geräts ausgegeben.


- Stellen Sie diese Anlage und das BLUETOOTH-Gerät näher beieinander auf.
- Wenn sich in der Nähe ein Gerät befindet, das elektromagnetische Strahlung erzeugt, wie z. B. ein Wi-Fi-Netzwerk, andere BLUETOOTH-Geräte oder Mikrowellenherde, stellen Sie die Anlage weiter entfernt von solchen Geräten auf.
- Entfernen Sie jegliche Hindernisse zwischen dieser Anlage und dem BLUETOOTH-Gerät oder verwenden Sie die Anlage weiter vom Hindernis entfernt.
- Stellen Sie das angeschlossene BLUETOOTH-Gerät an einem anderen Ort auf.
- Ändern Sie die Wi-Fi-Frequenz des Wi-Fi-Routers, Computers usw. zu einem 5-GHz-Band.

Der Ton und das Bild sind nicht synchron.

- Beim Anschauen von Filmen kann es vorkommen, dass der Ton mit kurzer Verzögerung nach dem Bild zu hören ist.

ANDERES

Die Fernbedienung funktioniert nicht.

- Zeigen Sie mit der Fernbedienung auf den Fernbedienungssensor  an der Anlage (siehe „Teile und Steuerungen“ in der Bedienungsanleitung).
- Entfernen Sie Hindernisse zwischen Fernbedienung und Anlage.
- Tauschen Sie beide Batterien in der Fernbedienung gegen neue aus, wenn sie zu schwach sind.
- Vergewissern Sie sich, dass Sie auf der Fernbedienung die richtige Taste drücken.

Die Funktion „Steuerung für HDMI“ funktioniert nicht ordnungsgemäß.

- Überprüfen Sie die HDMI-Verbindung.
- Richten Sie die Funktion „Steuerung für HDMI“ am Fernsehgerät ein.
- Stellen Sie sicher, dass alle angeschlossenen Geräte mit „BRAVIA“ Sync kompatibel sind.
- Überprüfen Sie die Einstellungen des angeschlossenen Geräts für Steuerung für HDMI. Schlagen Sie in der Bedienungsanleitung des jeweiligen angeschlossenen Geräts nach.
- Wenn Sie das Netzkabel anschließen/trennen, warten Sie mindestens 15 Sekunden, bevor Sie die Anlage bedienen.
- Wenn Sie den Audioausgang des Videogeräts und die Anlage über ein anderes Kabel als ein HDMI-Kabel verbinden, wird aufgrund von „BRAVIA“ Sync möglicherweise kein Ton ausgegeben. Setzen Sie in diesem Fall „CTRL“ auf „OFF“ (siehe „Anpassen der Einstellungen“ in der Bedienungsanleitung) oder verbinden Sie die Audioausgangsbuchse direkt mit dem Fernsehgerät statt mit der Anlage.

„PRTCT (protect)“ wird im Display an der Vorderseite angezeigt.

- Drücken Sie die I/⏻-Taste, um die Anlage auszuschalten. Nachdem „STBY“ ausgeblendet wird, trennen Sie das Netzkabel und überprüfen Sie, dass die Belüftungsöffnungen der Anlage von nichts blockiert werden.

ZURÜCKSETZEN

Falls die Anlage immer noch nicht ordnungsgemäß funktioniert, setzen Sie sie wie folgt zurück:

1 Drücken Sie die I/⏻-Taste, um den Subwoofer einzuschalten.

2 Drücken Sie die I/⏻-Taste, während gleichzeitig auf INPUT und VOL – am Subwoofer gedrückt wird.

„RESET“ wird angezeigt und die Anlage wird zurückgesetzt. Das Menü, SOUND MODE usw. kehren zu den Standardeinstellungen zurück.

Technische Daten

Lautsprechereinheit (SS-ST3)

Lautsprecher vorne L/vorne R:

Lautsprechersystem

2-Wege-Lautsprechersystem, Passiver Radiator

Lautsprecher

Subwoofer: 30 mm × 100 mm, Konus

Hochtöner: 14 mm Kalotte

Passiver Radiator: 30 mm × 100 mm, Konus

Nennimpedanz

3 Ohm

Mittlerer Lautsprecher

Lautsprechersystem

2-Wege-Lautsprechersystem, Akustische Aufhängung

Lautsprecher

Subwoofer: 30 mm × 100 mm, Konus × 2

Hochtöner: 14 mm Kalotte

Nennimpedanz

3 Ohm

Allgemeines

Abmessungen (ca.) (B/H/T)

900 mm × 40 mm × 32,5 mm (ohne Ständer)

900 mm × 42 mm × 30 mm (mit Ständer)

Gewicht (ca.)

0,9 kg (mit Ständer)

Subwoofer (SA-WST3)

Verstärker-System

NENNLEISTUNG

Vorn links + vorn rechts: 15 W + 15 W (bei 3 Ohm, 1 kHz, 1 % Klirrfaktor)

REFERENZLEISTUNG

Lautsprecher vorn links/vorn rechts: 25 W × 2 (3 Ohm pro Kanal, 1 kHz)

Mittlerer Lautsprecher: 25 W × 2 (3 Ohm pro Kanal, 1 kHz)
Subwoofer: 75 W × 2 (4 Ohm pro Kanal, 100 Hz)

Eingänge

HDMI IN 1/2/3*
DIGITAL IN TV/OPT
ANALOG IN

* Diese 3 Buchsen sind identisch. Sie können uneingeschränkt voneinander verwendet werden.

Ausgang

HDMI OUT ARC(TV)

Lautsprecher-System

Lautsprechersystem

Subwoofer, Bassreflexsystem

Lautsprecher

100 mm × 150 mm, Konus × 2

Nennimpedanz

4 Ohm

BLUETOOTH-System

Kommunikationssystem

BLUETOOTH-Spezifikation Version 3.0

Ausgang

BLUETOOTH-Spezifikation Leistungsklasse 2

Maximale Kommunikationsreichweite

Sichtlinie ca. 10 m¹⁾

Maximale Anzahl der zu registrierenden Geräte

9 Geräte

Frequenzbereich

2,4-GHz-Band (2,4000 GHz - 2,4835 GHz)

Modulationsverfahren

FHSS (Freq Hopping Spread Spectrum)

Kompatible BLUETOOTH-Profil²⁾

A2DP (Advanced Audio Distribution Profile)

AVRCP 1.3 (Audio Video Remote Control Profile)

Unterstützte Codecs³⁾

SBC⁴⁾, AAC⁵⁾, aptX

- 1) Die tatsächliche Reichweite variiert abhängig von Faktoren wie Hindernissen zwischen den Geräten, Magnetfeldern um ein Mikrowellengerät herum, statischer Elektrizität, kabellosen Telefonen, Empfangsempfindlichkeit, Betriebssystem, Softwareanwendungen usw.
- 2) BLUETOOTH-Standardprofile geben den Zweck der BLUETOOTH-Kommunikation zwischen den Geräten an.
- 3) Codec: Format für die Audiosignalkomprimierung und -konvertierung
- 4) Subband Codec
- 5) Advanced Audio Coding

Allgemeines

Betriebsspannung

220 V - 240 V Wechselspannung, 50 Hz/60 Hz

Leistungsaufnahme

Ein: 40 W

Im Bereitschaftsmodus ist die Option „Steuerung für HDMI“ und der BLUETOOTH-Bereitschaftsmodus deaktiviert: 0,5 W oder weniger

Abmessungen (ca.)

430 mm × 135 mm × 370,5 mm (B/H/T)

Gewicht (ca.)

8,2 kg

Von dieser Anlage unterstützte digitale Audioeingangsformate

Dolby Digital

DTS-HD High Resolution Audio*

Dolby TrueHD*

DTS-HD Low Bit Rate*

DTS

Linear PCM 2ch 48 kHz oder weniger

DTS 96/24

Linear PCM Maximum 7.1ch 192 kHz oder weniger*

DTS-HD Master Audio*

* Diese Formate können nur über eine HDMI-Verbindung eingespeist werden.

Von dieser Anlage unterstützte Videoformate

Eingang/Ausgang (HDMI-Repeater)

Datei	2D	3D		
		Bilder für linkes und rechtes Auge in einem Vollbild	Stereobilder nebeneinander in einem Videobild (halb)	Over/Under (Top-and-Bottom) - Stereobilder untereinander
4096 × 2160p bei 23,98/24 Hz	○	–	–	–
3840 × 2160p bei 29,97/30 Hz	○	–	–	–
3840 × 2160p bei 25 Hz	○	–	–	–
3840 × 2160p bei 23,98/24 Hz	○	–	–	–
1920 × 1080p bei 59,94/60 Hz	○	–	○	○
1920 × 1080p bei 50 Hz	○	–	○	○
1920 × 1080p bei 29,97/30 Hz	○	○	○	○
1920 × 1080p bei 25 Hz	○	○	○	○
1920 × 1080p bei 23,98/24 Hz	○	○	○	○
1920 × 1080i bei 59,94/60 Hz	○	○	○	○
1920 × 1080i bei 50 Hz	○	○	○	○
1280 × 720p bei 59,94/60 Hz	○	○	○	○
1280 × 720p bei 50 Hz	○	○	○	○
1280 × 720p bei 29,97/30 Hz	○	○	○	○
1280 × 720p bei 23,98/24 Hz	○	○	○	○
720 × 480p bei 59,94/60 Hz	○	–	–	–
720 × 576p bei 50 Hz	○	–	–	–
640 × 480p bei 59,94/60 Hz	○	–	–	–

Änderungen, die dem technischen Fortschritt dienen, bleiben vorbehalten.

Informationen bezüglich umweltfreundlicher Produkte

- Stromverbrauch im Bereitschaftsmodus: 0,5 W oder weniger
- Mit dem volldigitalen Verstärker S-Master wird eine 85%ige Leistungseffizienz des Verstärkerblocks erzielt.

WAARSCHUWING

Installeer het toestel niet in een te kleine ruimte zoals een boekenrek.

Om het risico op brand te voorkomen, zorgt u dat de ventilatieopening van het apparaat niet wordt afgedekt met kranten, tafelkleden, gordijnen, enz. Stel het apparaat ook niet bloot aan open vuur (zoals kaarsen).

Om het risico op een elektrische schok of brand te voorkomen, zorgt u dat het apparaat niet wordt blootgesteld aan vloeistoffen. Plaats dus geen objecten gevuld met vloeistof, zoals een vaas, op het apparaat.

Het toestel blijft onder spanning staan zolang de stekker in het stopcontact zit, ook al is het toestel zelf uitgeschakeld.

De stekker wordt gebruikt om het toestel los te koppelen; verbind het toestel daarom met een stopcontact waar u gemakkelijk bij kunt. Indien u een afwijking opmerkt aan het toestel, trekt u het snoer onmiddellijk uit het stopcontact.

Stel batterijen of apparaten met batterijen niet bloot aan extreme hitte, zoals direct zonlicht en vuur.

Alleen voor gebruik binnenshuis.

Aanbevolen kabels

Gebruik degelijk afgeschermd en geaarde kabels voor de verbinding met hostcomputers en/of randapparatuur.

Dit apparaat werd getest en conform bevonden met de limieten bepaald in de EMC Richtlijn met een verbindingkabel van minder dan 3 meter.

Opmerking voor klanten: de volgende informatie geldt enkel voor apparatuur verkocht in landen waar de EU-richtlijnen van kracht zijn.

Dit product werd geproduceerd door of in opdracht van Sony Corporation, 1-7-1 Konan Minato-ku Tokyo, 108-0075 Japan. Vragen met betrekking tot product conformiteit gebaseerd op EU-wetgeving kunnen worden gericht aan de gemachtigde vertegenwoordiger, Sony Deutschland GmbH, Hedelfinger Strasse 61, 70327 Stuttgart, Duitsland. Voor service- of garantiezaken verwijzen wij u door naar de adressen in de afzonderlijke service of garantie documenten.



Hierbij verklaart Sony Corp. dat het toestel in overeenstemming is met de essentiële eisen en de andere relevante bepalingen van richtlijn 1999/5/EG.

Nadere informatie kunt u vinden op:
<http://www.compliance.sony.de/>



Verwijdering van oude elektrische en elektronische apparaten (van toepassing in de Europese Unie en andere Europese landen met gescheiden inzamelingsystemen)

Dit symbool op het product of op de verpakking wijst erop dat dit product niet als huishoudelijk afval mag worden behandeld. Het moet echter naar een inzamelingspunt worden gebracht waar elektrische en

elektronische apparatuur wordt gerecycled. Als u ervoor zorgt dat dit product op de correcte manier wordt verwerkt, helpt u mogelijke negatieve gevolgen voor mens en milieu die zouden kunnen veroorzaakt worden in geval van verkeerde afvalbehandeling te voorkomen. Het recyclen van materialen draagt bij tot het behoud van natuurlijke bronnen. Voor meer details in verband met het recyclen van dit product, kan u contact opnemen met de gemeentelijke instanties, de organisatie belast met de verwijdering van huishoudelijk afval of de winkel waar u het product hebt gekocht.

Europe Only



Pb

Verwijdering van oude batterijen (in de Europese Unie en andere Europese landen met afzonderlijke inzamelingsystemen)

Dit symbool op de batterij of verpakking wijst erop dat de meegeleverde batterij van dit product niet als huishoudelijk afval behandeld mag worden.

Op sommige batterijen kan dit symbool voorkomen in combinatie met een chemisch symbool. De chemische symbolen voor kwik (Hg) of lood (Pb) worden toegevoegd als de batterij meer dan 0,0005 % kwik of 0,004 % lood bevat.

Door deze batterijen op juiste wijze af te voeren, voorkomt u voor mens en milieu negatieve gevolgen die zich zouden kunnen voordoen in geval van verkeerde afvalbehandeling. Het recyclen van materialen draagt bij tot het vrijwaren van natuurlijke bronnen.

In het geval dat de producten om redenen van veiligheid, prestaties dan wel in verband met dataintegriteit een permanente verbinding met batterij vereisen, dient deze batterij enkel door gekwalificeerd servicepersoneel vervangen te worden. Om ervoor te zorgen dat de batterij op een juiste wijze zal worden behandeld, dient het product aan het eind van zijn levenscyclus overhandigd te worden aan het desbetreffende inzamelingspunt voor de recyclage van elektrisch en elektronisch materiaal.

Voor alle andere batterijen verwijzen we u naar het gedeelte over hoe de batterij veilig uit het product te verwijderen. Overhandig de batterij bij het desbetreffende inzamelingspunt voor de recyclage van batterijen. Voor meer details in verband met het recyclen van dit product of batterij, neemt u contact op met de gemeentelijke instanties, het bedrijf of de dienst belast met de verwijdering van huishoudafval of de winkel waar u het product hebt gekocht.

Inhoudsopgave

Vorzorgsmaatregelen	5
Draadloze technologie van BLUETOOTH	7
De Bar Speaker aan een wand installeren	8
De functie Controle voor HDMI gebruiken	9
"BRAVIA" Sync-functies gebruiken	10
Verhelpen van storingen	11
Technische gegevens	13

Voorzorgsmaatregelen

Veiligheid

- In het geval dat er een voorwerp of vloeistof in het systeem terechtkomt, moet u de stekker uit het stopcontact trekken en het systeem pas weer in gebruik nemen als het door een deskundige is nagekeken.
- Ga niet op de Bar Speaker of de subwoofer staan. U kunt vallen en uzelf verwonden of schade aan het systeem veroorzaken.
- Plaats geen voorwerpen bovenop het systeem.
- Steek geen voorwerpen in de openingen (middelste kanaal of ventilatie-openingen aan de achterkant) van het systeem.
- Aangezien het systeem tijdens het gebruik trilt, moet u het zo plaatsen dat het niet per ongeluk valt.

Spanningsbronnen

- Controleer voor het gebruik van het systeem of de werkspanning dezelfde is als de plaatselijke stroomvoorziening. De werkspanning staat vermeld op het naamplaatje aan de achterkant van de Bar Speaker.
- Trek, als u het systeem gedurende langere tijd niet gebruikt, de stekker uit het stopcontact. Neem hiervoor de stekker zelf vast, trek nooit aan het netsnoer.
- Één pool van de stekker is breder dan de andere, het doel hiervan is het bevorderen van de veiligheid en de stekker past maar op één manier in het stopcontact (stroom). Kunt u de stekker niet geheel in het stopcontact steken, neem dan contact op met uw leverancier.
- Het netsnoer mag alleen door een erkend servicecentrum worden vervangen.

Warmteontwikkeling

Het systeem wordt warm tijdens het gebruik, maar dat is geen storing. Als u het toestel doorlopend op een hoog volume gebruikt, zal de temperatuur van het systeem aan de achter- en onderkant aanzienlijk stijgen. Raak het systeem niet aan zodat u zich niet brandt.

Plaatsing

- Rondom het systeem moet voldoende ruimte zijn om de warmte kwijt te kunnen. Plaatst u het systeem in een rek, zorg dan voor minstens 5 cm vrije ruimte boven het systeem en meer dan 5 cm ruimte aan de zijkanten ervan. Het rek dient aan de achterkant van het systeem open te zijn. Plaatst u het systeem met de achterkant tegen de muur, laat dan minstens 10 cm ruimte tussen het systeem en de muur.
- Laat de voorkant van het systeem open.
- Plaats het systeem niet bovenop een apparaat dat warmte afgeeft.
- Plaats het systeem op een plaats met voldoende ventilatie zodat het niet te heet wordt en langer meegaat.
- Plaats het systeem niet in de buurt van warmtebronnen of op een plaats waar het is blootgesteld aan directe zonnestraling, overmatig stof of mechanische schokken.
- Plaats niets achter het systeem dat de ventilatie-openingen kan blokkeren, want dit kan storingen veroorzaken.
- Als het systeem wordt gebruikt in combinatie met een TV-toestel, videorecorder of cassettespeler, kan er mogelijk ruis optreden en kan de beeldkwaliteit verslechteren. Plaats, als dat het geval is, het systeem op een grotere afstand van het TV-toestel, de videorecorder of de cassettespeler.
- Ga voorzichtig te werk wanneer u het systeem op een speciaal behandeld oppervlak (met was of olie behandeld, gepolijst enz.) plaatst, anders kunnen vlekken of verkleuringen van het oppervlak optreden.
- Zorg ervoor dat u zich niet bezeert aan de hoeken van de Bar Speaker of de subwoofer.

Omgaan met de subwoofer

Steek uw hand niet in de spleet in de subwoofer als u deze optilt. De luidspreker aandrijving kan beschadigd raken. Til de subwoofer aan de onderkant op.

Werking

Schakel, voordat u andere apparatuur aansluit, eerst het systeem uit en trek de stekker uit het stopcontact.

Als u kleurafwijking opmerkt op een TV-scherm in de buurt van het toestel

Er kunnen zich bij sommige TV-toestellen kleurafwijkingen voordoen.

Als u kleurafwijking waarneemt...

Schakel het TV-toestel uit en schakel het na 15 tot 30 minuten weer in.

Als u nog steeds kleurafwijking waarneemt...

Plaats het systeem verder weg van het TV-toestel.

Reiniging

Reinig het systeem met een zachte droge doek. Gebruik geen schuursponsje, schuurpoeder of oplosmiddelen, zoals alcohol of wasbenzine.

Met alle vragen over eventuele problemen met het systeem kunt u steeds terecht bij uw dichtstbijzijnde Sony-verdeler.

Auteursrechten

Dit systeem omvat Dolby* Digital en de DTS** Digital Surround System.

* Vervaardigd onder licentie van Dolby Laboratories.

Dolby en het symbool met de dubbele D zijn handelsmerken van Dolby Laboratories.

** Vervaardigd onder licentie onder octrooinummers in de VS: 5.956.674; 5.974.380; 6.226.616; 6.487.535; 7.212.872; 7.333.929; 7.392.195; 7.272.567 & andere octrooien en octrooiaanvragen in de VS en elders ter wereld. DTS-HD, het Symbool, & DTS-HD en het Symbool tezamen zijn geregistreerde handelsmerken van DTS, Inc.

Product omvat software. © DTS, Inc.

Alle rechten voorbehouden.

Het merkteken met het woord BLUETOOTH® en de logo's zijn gedeponeerde handelsmerken die eigendom zijn van Bluetooth SIG, Inc. en ieder gebruik van dergelijke merktekens door Sony Corporation vindt plaats onder licentie.

Dit systeem is uitgerust met High-Definition Multimedia Interface (HDMI™)-technologie.

De termen HDMI en HDMI High-Definition Multimedia Interface, en het HDMI-logo zijn handelsmerken of gedeponeerde handelsmerken van HDMI Licensing LLC in de Verenigde Staten en andere landen.

"BRAVIA"-logo is een handelsmerk van Sony Corporation.

"x.v.Colour" en het logo "x.v.Colour" zijn handelsmerken van Sony Corporation.

Het merkteken N is een handelsmerk of geregistreerd handelsmerk van NFC Forum, Inc. in de VS en andere landen.

Android is een handelsmerk van Google Inc.

© 2012 CSR plc en zijn groepsbedrijven.

Het aptX®-merk en het aptX-logo zijn handelsmerken van CSR plc of een van zijn groepsbedrijven en kunnen in een of meer jurisdicties zijn gedeponeerde.

Andere handelsmerken en handelsnamen zijn eigendom van hun respectieve eigenaren.

Draadloze technologie van BLUETOOTH

Ondersteunde BLUETOOTH-versie en profielen

Profiel verwijst naar een standaard reeks van mogelijkheden voor diverse BLUETOOTH-productmogelijkheden. Zie "Technische gegevens" (pagina 13) voor de BLUETOOTH-versie en profielen die door dit systeem worden ondersteund.

Opmerkingen

- U kunt de BLUETOOTH-functie alleen gebruiken als het aan te sluiten BLUETOOTH-apparaat hetzelfde profiel ondersteunt als dit systeem. Ook als het apparaat hetzelfde profiel ondersteunt, kunnen de functies verschillen als gevolg van de specificaties van het BLUETOOTH-apparaat.
- De audioweergave op dit systeem kan vertraagd zijn ten opzichte van die op het BLUETOOTH-apparaat, als gevolg van de eigenschappen van de draadloze technologie van BLUETOOTH.

Effectief communicatiebereik

BLUETOOTH-apparaten moeten binnen een bereik van ongeveer 10 meter (afstand zonder obstakels) van elkaar worden gebruikt. Het effectieve communicatiebereik kan korter worden onder de volgende omstandigheden.

- Wanneer een persoon, metalen voorwerp, wand of ander obstakel staat tussen de apparaten die door middel van BLUETOOTH met elkaar zijn verbonden.
- Locaties waar een draadloos LAN is geïnstalleerd
- In de buurt van magnetrons die in gebruik zijn
- Locaties waar andere elektromagnetische golven voorkomen

Effecten van andere apparaten

BLUETOOTH-apparaten en draadloze LAN (IEEE 802.11b/g) gebruiken dezelfde frequentieband (2,4 GHz). Wanneer u uw BLUETOOTH-apparaat gebruikt bij een apparaat met mogelijkheden voor draadloze LAN, kan zich elektromagnetische interferentie voordoen.

Dit kan lagere overdrachtssnelheden en ruis tot gevolg hebben en misschien zal verbinding niet mogelijk zijn. Probeer de volgende oplossingen als dat gebeurt:

- Probeer dit systeem en de mobiele telefoon met BLUETOOTH of het BLUETOOTH-apparaat met elkaar te verbinden wanneer u op ten minste 10 meter afstand bent van de apparatuur van het draadloze LAN.
- Zet de apparatuur van het draadloze LAN uit wanneer u uw BLUETOOTH-apparaat binnen 10 meter gebruikt.

Effecten van andere apparaten

De radiogolven die door dit systeem worden uitgezonden kunnen de werking van sommige medische apparaten storen. Deze interferentie kan leiden tot een storing, en daarom moet u dit systeem, de mobiele telefoon met BLUETOOTH en BLUETOOTH apparatuur altijd uitschakelen op de volgende locaties:

- In ziekenhuizen, in de trein, in het vliegtuig, bij benzinestations en overal waar ontbrandbare gassen kunnen zijn
- Bij automatische deuren of brandmelders

Opmerkingen

- Dit systeem ondersteunt beveiligingsfuncties die voldoen aan de BLUETOOTH-specificatie, als middel om de veiligheid te waarborgen tijdens communicatie met behulp van BLUETOOTH-technologie. Deze beveiliging kan onvoldoende zijn afhankelijk van de inhoud van de instellingen en andere factoren, dus wees altijd voorzichtig wanneer u communiceert met behulp van BLUETOOTH-technologie.
- Sony kan op geen enkele wijze aansprakelijk worden gesteld voor schade of andere verliezen die het gevolg zijn van informatielekken tijdens communicatie met behulp van BLUETOOTH-technologie.
- Het is niet gegarandeerd dat BLUETOOTH-communicatie met alle BLUETOOTH-apparaten met hetzelfde profiel als dit systeem, goed verloopt.
- BLUETOOTH-apparaten die met dit systeem zijn verbonden, moeten voldoen aan de BLUETOOTH-specificatie die wordt voorgeschreven door de Bluetooth SIG, Inc. en moeten hiertoe officieel erkend zijn. Maar ook al voldoet een toestel aan de BLUETOOTH-specificatie, kunnen er gevallen zijn waarin de kenmerken of specificaties van het BLUETOOTH-apparaat verbinding onmogelijk maken, of waarin zij de oorzaak zijn van andere bedieningsmethoden, een ander scherm of een andere bediening.
- Er kan ruis optreden of het audiosignaal kan worden onderbroken, afhankelijk van het BLUETOOTH-apparaat dat met dit systeem is verbonden, de communicatieomgeving of de omstandigheden rond de apparatuur.

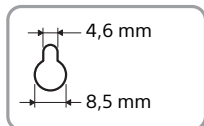
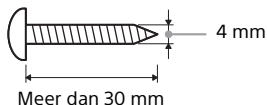
De Bar Speaker aan een wand installeren

U kunt de Bar Speaker aan de wand installeren.

Opmerkingen

- Gebruik schroeven die geschikt zijn voor het materiaal en de draagkracht van de wand. Een wand van gipsplaat is erg zwak, draai dus bij een dergelijke wand de schroeven in een balk. Installeer de Bar Speaker op een verticaal en vlak, versterkt gedeelte van de wand.
- Laat de installatie uitvoeren door een Sony-dealer of een erkende installateur en let tijdens de installatie goed op de veiligheid.
- Sony is niet aansprakelijk voor ongevallen of schade ten gevolge van een ondeskundige installatie, onvoldoende draagkracht van de wand, verkeerd aangebrachte schroeven of een natuurramp, enz.

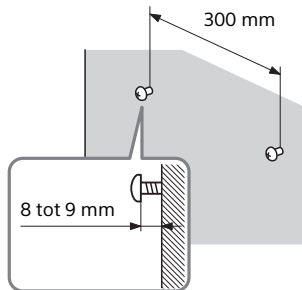
1 Zorg ervoor dat u schroeven hebt (niet bijgeleverd) die geschikt zijn voor de gaten aan de achterzijde van de Bar Speaker.



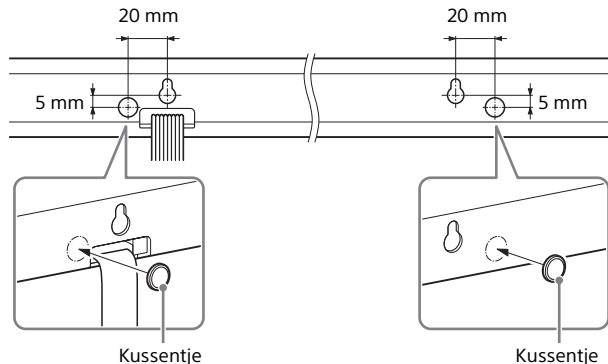
Gat aan de achterzijde van de Bar Speaker

2 Bevestig de schroeven in de muur.

De schroeven moeten 8 tot 9 mm uitsteken.

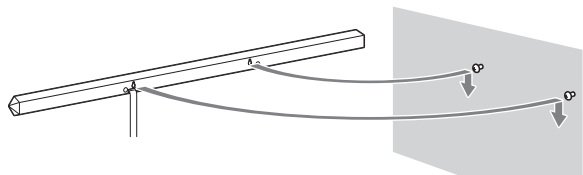


3 Plak de meegeleverde kussentjes aan de achterkant van de Bar Speaker.



4 Hang de Bar Speaker aan de schroeven.

Houd de gaten aan de achterkant van de Bar Speaker tegenover de schroeven en hang vervolgens de Bar Speaker aan de 2 schroeven.



De functie Controle voor HDMI gebruiken

Door de functie Controle voor HDMI in te schakelen en een apparaat aan te sluiten dat compatibel is met de functie Controle voor HDMI via een HDMI-kabel, wordt de bediening aanzienlijk vereenvoudigd met de onderstaande functies.

Systemeem uitschakelen

Wanneer u het TV-toestel uitschakelt met de Aan/Uit-knop op de afstandsbediening van het TV-toestel, worden het systeem en de aangesloten apparatuur automatisch uitgeschakeld.

Geluidscontrole van het systeem

Indien u het systeem inschakelt terwijl u TV-kijkt, wordt het TV-geluid automatisch via de luidsprekers van het systeem weergegeven. Het volume van het systeem wordt geregeld wanneer u het volume van het TV-toestel verandert.

Indien het TV-geluid werd weergegeven via de luidsprekers van het systeem toen u het TV-toestel voor het laatst uitschakelde, wordt het systeem automatisch ingeschakeld wanneer u het TV-toestel weer inschakelt en het geluid van het TV-toestel automatisch via de luidsprekers van het systeem weergegeven.

Audio Return Channel (ARC)

Als het TV-toestel geschikt is voor Audio Return Channel (ARC)-technologie wordt via een HDMI-kabelverbinding ook een digitaal audiosignaal van het TV-toestel naar het systeem gestuurd. U hoeft geen aparte audioverbinding tot stand te brengen als u het geluid van het TV-toestel via het systeem wilt beluisteren.

wordt vervolgd

One-Touch Play

Bij weergave van een apparaat dat met het systeem is verbonden middels een HDMI-kabel, wordt het aangesloten TV-toestel automatisch ingeschakeld en het ingangssignaal van het systeem naar de vereiste HDMI-ingang geschakeld.

Opmerkingen

- De functies hierboven werken mogelijk niet met bepaalde apparaten.
- Afhankelijk van de aangesloten apparatuur werkt de functie Controle voor HDMI mogelijk niet juist. Raadpleeg de gebruiksaanwijzing van de apparatuur.

"BRAVIA" Sync-functies gebruiken

De oorspronkelijk hieronder aangegeven Sony-functies kunnen tevens worden gebruikt met producten die compatibel zijn met "BRAVIA" Sync.

Energiebesparing

Als een TV-toestel dat geschikt is voor "BRAVIA" Sync op het systeem is aangesloten, wordt het stroomverbruik verminderd in stand-by als de transmissie van het HDMI-signaal wordt gestopt wanneer het TV-toestel wordt uitgeschakeld.

Opmerkingen over HDMI -aansluitingen

- Gebruik een High Speed HDMI-kabel. Als u een Standard HDMI-kabel gebruikt, worden 1080p, Deep Color of 3D/4K-beelden mogelijk niet goed weergegeven.
- Gebruik een erkende HDMI-kabel.
Gebruik een Sony High Speed HDMI-kabel met kabeltypelogo.
- U kunt beter geen HDMI-DVI-conversiekabel gebruiken.

- Controleer de instelling van de aangesloten apparatuur als het beeld niet goed is of als het geluid van een met een HDMI-kabel aangesloten apparaat niet wordt weergegeven.
- Audiosignalen (bemonsteringsfrequentie, bitlengte, enz.) die via een HDMI-aansluiting worden verzonden, worden misschien door het aangesloten apparaat onderdrukt.
- Het geluid zal misschien worden onderbroken als de bemonsteringsfrequentie of het aantal kanalen van uitgestuurde audiosignalen van het weergegeven apparaat wordt overgeschakeld.
- Wanneer het aangesloten apparaat niet geschikt is voor de technologie voor bescherming van auteursrechten (HDCP), kan het beeld of het geluid of kunnen beeld en geluid uit de HDMI OUT ARC(TV)-aansluiting vervormd of helemaal niet worden uitgestuurd. Controleer in dat geval de specificatie van de aangesloten apparatuur.
- Wanneer "TV" is geselecteerd voor de bron van het inkomende signaal van het systeem, worden videosignalen via de HDMI IN-aansluitingen die het laatst waren geselecteerd, uitgestuurd via de HDMI OUT ARC(TV)-aansluiting.
- Dit systeem ondersteunt Deep Color, "x.v.Colour", 3D en 4K transmissie.
- Als u wilt genieten van 3D-beelden, sluit dan een voor 3D geschikt TV-toestel en geschikte videoapparatuur (Blu-ray Disc-speler, "PlayStation®3" enzovoort) aan op het systeem met High Speed HDMI-kabels, zet een 3D-bril op en speel vervolgens de voor 3D geschikte Blu-ray Disc af.
- Voor weergave van 4K-beelden moeten het TV-toestel en de spelers die met het systeem zijn verbonden compatibel zijn met de 4K-beelden.

Verhelpen van stringen

Als u problemen ondervindt bij het gebruik van dit systeem, probeer die dan eerst zelf op te lossen aan de hand van de onderstaande lijst. Raadpleeg, als het probleem aanhoudt, de Sony-dealer bij u in de buurt.

VOEDING

Het systeem is niet ingeschakeld.

→ Controleer dat het netsnoer goed is aangesloten.

Het systeem wordt automatisch uitgeschakeld.

→ De functie "A. STBY" werkt. Stel "A. STBY" in op "OFF" (Raadpleeg "De instellingen aanpassen" in de gebruiksaanwijzing.)

GELUID

Het geluid van het TV-toestel wordt niet uitgestuurd via het systeem.

- Zorg dat de juiste ingangsbron geselecteerd is. Probeer andere ingangsbronnen door enkele keren op de knop INPUT te drukken (raadpleeg "Naar het geluid luisteren" in de gebruiksaanwijzing).
- Controleer de aansluiting van de HDMI-kabel, de digitale optische kabel of de audiokabel die is aangesloten op het systeem en het TV-toestel (raadpleeg "Aansluiting" in de gebruiksaanwijzing).
- Controleer of "TV" wordt weergegeven als ingangsbron op het display op het voorpaneel.
- Controleer de geluidsuitvoer van het TV-toestel.
- Controleer of het volume van de TV niet te zacht is of uit staat.
- Wanneer een TV die geschikt is voor de Audio Return Channel (ARC)-technologie, met een HDMI-kabel aangesloten wordt, dient u te controleren of de kabel is aangesloten op de HDMI (ARC)-uitgang van de TV.
- Indien het TV-toestel niet compatibel is met de Audio Return Channel (ARC)-technologie, moet u behalve de HDMI-kabel ook de digitale optische kabel aansluiten voor weergave van het geluid.

Het geluid wordt uitgestuurd via de luidsprekers van het systeem en het TV-toestel.

→ Schakel het geluid van het systeem of het TV-toestel uit.

Het geluid blijft achter bij de TV-beelden.

→ Stel "SYNC" in op "OFF" als deze niet ingesteld is op 1 tot en met 4 (Zie "De instellingen aanpassen" in de gebruiksaanwijzing).

De Bar Speaker of de subwoofer produceren geen of slechts een heel zwak geluid.

- Druk op VOL + en controleer het volumeniveau (raadpleeg "Onderdelen en bedieningselementen" in de gebruiksaanwijzing).
- Druk op MUTING op de afstandsbediening of VOL + om het dempen van het geluid te annuleren (raadpleeg "Onderdelen en bedieningselementen" in de gebruiksaanwijzing).
- Controleer of de luidsprekersnoeren van de bar speaker goed in de subwoofer zijn gestoken.
- Zorg dat de juiste ingangsbron geselecteerd is. Probeer andere ingangsbronnen door enkele keren op de knop INPUT te drukken (raadpleeg "Naar het geluid luisteren" in de gebruiksaanwijzing).
- Controleer dat de juiste ingang is geselecteerd.
- Controleer dat alle kabels van het systeem en de aangesloten apparatuur geheel in de aansluitingen zijn gestoken.
- Druk op SW VOL + op de afstandsbediening om het volumeniveau van de subwoofer harder te zetten (raadpleeg "Onderdelen en bedieningselementen" in de gebruiksaanwijzing).
- Een subwoofer is bedoeld voor het weergeven van basgeluiden. Bij ingangsbronnen met zeer weinig basgeluidcomponenten (zoals TV-uitzendingen), is het geluid van de subwoofer mogelijk slecht te horen.

Dolby Digital of DTS-meerkanaalsgeluid wordt niet weergegeven.

→ Controleer de audio-instelling van het Dolby Digital- of DTS-formaat op de Blu-ray Disc-speler, DVD-speler enzovoort, die met het systeem verbonden is.

Het surroundeffect kan niet worden gerealiseerd.

→ Afhankelijk van het ingangssignaal en de instelling SOUND MODE, zal de verwerking van het surroundgeluid misschien niet effectief zijn. Het surroundeffect zal misschien in geringe mate waarneembaar zijn, afhankelijk van het programma of de disc.

wordt vervolgd

- Als u een Blu-ray Disc-speler of een DVD-speler aansluit, die geschikt is voor de functie surroundeffect, zal het surroundeffect van het systeem misschien niet werken. In dat geval zet u de functie surroundeffect van de aangesloten apparatuur uit. Raadpleeg de gebruiksaanwijzing die bij de aangesloten apparatuur wordt geleverd voor meer informatie.

BLUETOOTH

De BLUETOOTH-verbinding kan niet worden gemaakt.

- Controleer of de BLUETOOTH-indicator blauw is verlicht (raadpleeg "Naar het geluid luisteren vanaf BLUETOOTH-apparaten" in de gebruiksaanwijzing).

Systeemstatus	Indicatorstatus
Tijdens koppelen met BLUETOOTH	Knippert snel in blauw.
Het systeem probeert de verbinding met een BLUETOOTH-apparaat tot stand te brengen	Knippert in blauw.
Het systeem heeft de verbinding met een BLUETOOTH-apparaat gemaakt	Licht op in blauw.
Het systeem staat in de stand Stand-by voor BLUETOOTH (wanneer het systeem is uitgeschakeld)	Knippert langzaam in blauw.

- Controleer dat het BLUETOOTH-apparaat is ingeschakeld en de BLUETOOTH-functie is geactiveerd.
- Plaats dit systeem en het BLUETOOTH-apparaat zo dicht als mogelijk bij elkaar.
- Koppel dit systeem opnieuw aan het BLUETOOTH-apparaat.
 - Mogelijk moet u eerst de koppeling met dit systeem opheffen met uw BLUETOOTH-apparaat.

Koppelen lukt niet.

- Breng dit systeem en het BLUETOOTH-apparaat dicht bij elkaar (raadpleeg "Naar het geluid luisteren vanaf BLUETOOTH-apparaten" in de gebruiksaanwijzing).

- Zorg dat dit systeem geen last heeft van interferentie van een Wi-Fi-netwerk, andere draadloze apparatuur op 2,4 GHz, of een magnetron. Als er een apparaat in de buurt staat dat elektromagnetische straling genereert, zet u het apparaat uit de buurt van dit systeem.

BLUETOOTH-verbinding is verbroken.

Er komt geen geluid uit het aangesloten apparaat.


- Plaats dit systeem dicht bij het BLUETOOTH-apparaat.
- Indien een apparaat dat elektromagnetische straling opwekt, bijvoorbeeld een Wi-Fi-netwerk, andere BLUETOOTH-apparaten of een magnetron in de buurt is, moet u dit systeem verder van dergelijke bronnen plaatsen.
- Verwijder obstakels tussen dit systeem en het BLUETOOTH-apparaat of plaats dit systeem verder van het obstakel.
- Verander de plaats van het aangesloten BLUETOOTH-apparaat.
- Verander de Wi-Fi-frequentie van de Wi-Fi-router, computer enzovoort naar de 5 GHz band.

Het geluid is niet synchroon aan het beeld.

- Bij het bekijken van films is het geluid mogelijk iets vertraagd ten opzichte van het beeld.

OVERIGE

De afstandsbediening werkt niet.

- Richt de afstandsbediening op de afstandsbedieningssensor  op het systeem (raadpleeg "Onderdelen en bedieningselementen" in de gebruiksaanwijzing).
- Verwijder obstakels tussen de afstandsbediening en het systeem.
- Vervang beide batterijen in de afstandsbediening door nieuwe batterijen als deze bijna uitgeput zijn.
- Druk op de juiste knop op de afstandsbediening.

De functie Controle voor HDMI werkt niet goed.

- Controleer de HDMI-aansluiting.
- Stel de functie Controle voor HDMI-functie op het TV-toestel in.
- Controleer of de aangesloten apparatuur geschikt is voor "BRAVIA Sync".

- Controleer de instellingen van Controle voor HDMI op de aangesloten apparatuur. Raadpleeg de gebruiksaanwijzing die bij de aangesloten apparatuur is geleverd.
- Na het verbinden/ontkoppelen van het netsnoer (stroomsnoer) moet u langer dan 15 seconden wachten alvorens het systeem te bedienen.
- Als u de audio-uitgang van het videoapparaat en het systeem verbindt met een andere kabel dan een HDMI-kabel, zal er misschien geen geluid worden weergegeven als gevolg van "BRAVIA" Sync. Stel in dat geval "CTRL" in op "OFF" (raadpleeg "De instellingen aanpassen" in de gebruiksaanwijzing) of sluit de audio-uitgang rechtstreeks aan op het TV-toestel in plaats van op het systeem.

"PRTECT (protect)" verschijnt in het display op het voorpaneel.

- Druk op de I/⏻-knop om het systeem uit te schakelen. Nadat "STBY" is gedoofd, ontkoppelt u het netsnoer (stroomsnoer) en controleert u vervolgens of de ventilatie-openingen van het systeem niet worden geblokkeerd.

RESET

Als het systeem nog niet correct werkt, reset u het systeem als volgt:

1 Druk op de I/⏻-knop om de subwoofer in te schakelen.

2 Druk op de I/⏻-knop terwijl u op INPUT en VOL – op de subwoofer drukt.

"RESET" verschijnt en het systeem wordt gereset. Het menu, de SOUND MODE enzovoort keren terug naar de standaardinstellingen.

Technische gegevens

Bar Speaker (SS-ST3)

Luidsprekers L/R voor

Luidprekersysteem
2-weg luidsprekersysteem, type passieve radiator

Luidspreker
Woofer: 30 mm × 100 mm conustype
Tweeter: 14 mm koepeltype
Passieve radiator: 30 mm × 100 mm conustype

Nominale impedantie
3 Ohm

Middelste luidspreker

Luidprekersysteem
2-weg luidsprekersysteem, type akoestische suspensie

Luidspreker
Woofer: 30 mm × 100 mm conustype × 2
Tweeter: 14 mm koepeltype

Nominale impedantie
3 Ohm

Algemeen

Afmetingen (bij benadering) (b/h/d)
900 mm × 40 mm × 32,5 mm (zonder standaarden)
900 mm × 42 mm × 30 mm (met standaarden)

Gewicht (ongev.)
0,9 kg (met standaarden)

Subwoofer (SA-WST3)

Versterkergedeelte

UITGANGSVERMOGEN (nominaal)
Voor L + Voor R: 15 W + 15 W (bij 3 Ohm, 1 kHz, 1 % THD)

UITGANGSVERMOGEN (referentie)
Luidspreker L/R voor: 25 W × 2 (per kanaal bij 3 Ohm, 1 kHz)
Middelste luidspreker: 25 W × 2 (per kanaal bij 3 Ohm, 1 kHz)
Subwoofer: 75 W × 2 (per kanaal bij 4 Ohm, 100 Hz)

wordt vervolgd

Ingangen

HDMI IN 1/2/3*
DIGITAL IN TV/OPT
ANALOG IN

* Deze 3 aansluitingen zijn identiek. Het maakt niet uit welke u gebruikt.

Uitgang

HDMI OUT ARC(TV)

Luidsprekergedeelte

Luidprekersysteem

Subwoofer, Basreflex

Luidspreker

100 mm × 150 mm conustype × 2

Nominale impedantie

4 Ohm

BLUETOOTH-gedeelte

Communicatiesysteem

BLUETOOTH Specificatie versie 3.0

Uitgang

BLUETOOTH Specificatie Vermogensklasse 2

Maximaal communicatiebereik

Zichtlijn ongev. 10 m¹⁾

Maximum aantal te registreren apparaten

9 apparaten

Frequentieband

2,4 GHz band (2,4000 GHz - 2,4835 GHz)

Modulatiemethode

FHSS (Freq Hopping Spread Spectrum)

Geschiedte BLUETOOTH profielen²⁾

A2DP (Advanced Audio Distribution Profile)
AVRCP 1.3 (Audio Video Remote Control Profile)

Ondersteunde Codecs³⁾

SBC⁴⁾, AAC⁵⁾, aptX

- 1) Het werkelijke bereik zal variëren afhankelijk van factoren zoals obstakels tussen apparaten, magnetische velden rond een magnetron, statische elektriciteit, draadloze telefoons, ontvangstgevoeligheid, besturingssysteem, softwaretoepassing enzovoort.
- 2) BLUETOOTH standaardprofielen geven een aanduiding van het doel van BLUETOOTH-communicatie tussen apparaten.

3) Codec: Audiosignaalcompressie en conversieformaat

4) Subband Codec

5) Advanced Audio Coding

Algemeen

Spanningsvereisten

220 V - 240 V AC, 50 Hz/60 Hz

Stroomverbruik

Aan: 40 W

In stand-by is "Controle voor HDMI" uit en is de stand-bystand voor BLUETOOTH uit: 0,5 W of minder

Afmetingen (ongev.)

430 mm × 135 mm × 370,5 mm (b/h/d)

Gewicht (ongev.)

8,2 kg

Digitale audio-ingangsformaten die door het systeem ondersteund worden

Dolby Digital

DTS-HD High Resolution Audio*

Dolby TrueHD*

DTS-HD Low Bit Rate*

DTS

Linear PCM 2ch 48 kHz of minder

DTS 96/24

Linear PCM Maximum 7.1ch 192 kHz of minder*

DTS-HD Master Audio*

* Deze formaten invoeren is alleen mogelijk met de HDMI-verbinding.

Videoformaten die door het systeem ondersteund worden

Ingang/Uitgang (HDMI Repeater block)

Bestand	2D	3D		
		Frame- packing	Zij-aan-Zij (Half)	Boven- Onder- (Bovenkant -en- Onderkant)
4096 × 2160p @ 23,98/24 Hz	○	-	-	-
3840 × 2160p @ 29,97/30 Hz	○	-	-	-
3840 × 2160p @ 25 Hz	○	-	-	-
3840 × 2160p @ 23,98/24 Hz	○	-	-	-
1920 × 1080p @ 59,94/60 Hz	○	-	○	○
1920 × 1080p @ 50 Hz	○	-	○	○
1920 × 1080p @ 29,97/30 Hz	○	○	○	○
1920 × 1080p @ 25 Hz	○	○	○	○
1920 × 1080p @ 23,98/24 Hz	○	○	○	○
1920 × 1080i @ 59,94/60 Hz	○	○	○	○
1920 × 1080i @ 50 Hz	○	○	○	○
1280 × 720p @ 59,94/60 Hz	○	○	○	○
1280 × 720p @ 50 Hz	○	○	○	○
1280 × 720p @ 29,97/30 Hz	○	○	○	○
1280 × 720p @ 23,98/24 Hz	○	○	○	○
720 × 480p @ 59,94/60 Hz	○	-	-	-
720 × 576p @ 50 Hz	○	-	-	-
640 × 480p @ 59,94/60 Hz	○	-	-	-

Ontwerp en technische gegevens kunnen zonder voorafgaande kennisgeving worden gewijzigd.

Informatie over milieuvriendelijke producten

- Stand-by stroomverbruik: 0,5 W of minder
- Meer dan 85% stroomefficiëntie van versterkerblok wordt bereikt met volledig digitale versterker, S-Master.

ATTENZIONE

Non installare l'apparecchio in uno spazio limitato, ad esempio una libreria.

Per ridurre il rischio di incendi, non coprire la presa di ventilazione dell'apparecchio con giornali, tovaglie, tende e così via. Non esporre l'apparecchio a sorgenti a fiamma libera (ad esempio candele accese).

Per ridurre il rischio di incendi o di scosse elettriche, non esporre l'apparecchio a gocciolamenti o spruzzi né collocarvi sopra oggetti pieni di liquidi, ad esempio vasi.

L'unità non è scollegata dall'alimentazione fino a quando è collegata alla presa CA, anche se l'unità stessa è stata spenta.

Dato che la spina di alimentazione viene utilizzata per scollegare l'unità dalla presa a muro, collegare l'unità ad una presa CA facilmente accessibile. Se si dovesse riscontrare un'anomalia nell'unità, scollegare immediatamente la spina di alimentazione dalla presa CA.

Non esporre le batterie o l'apparecchio con all'interno le batterie a calore eccessivo, ad esempio alla luce del sole o al fuoco.

Solo per ambienti interni.

Cavi consigliati

Per i collegamenti a computer host e/o periferiche è necessario utilizzare cavi schermati e con messa a terra in maniera corretta.

Il presente apparecchio è stato testato e giudicato conforme ai limiti imposti dalla Direttiva EMC utilizzando un cavo di collegamento di lunghezza inferiore a 3 metri.

Avviso per i clienti: le informazioni seguenti sono applicabili solo agli apparecchi in vendita nei paesi che applicano le direttive UE.

Questo prodotto è stato fabbricato da o per conto di Sony Corporation, 1-7-1 Konan Minato-ku Tokyo, 108-0075 Japan. Eventuali richieste in merito alla conformità del prodotto in ambito della legislazione Europea, dovranno essere indirizzate al rappresentante autorizzato, Sony Deutschland GmbH, Hedelfinger Strasse 61, 70327 Stuttgart, Germany. Per qualsiasi informazione relativa al servizio o la garanzia, si prega di fare riferimento agli indirizzi riportati separatamente sui documenti relativi all'assistenza o sui certificati di garanzia.



Con la presente Sony Corp. dichiara che questo apparecchio è conforme ai requisiti essenziali ed alle altre disposizioni pertinenti stabilite dalla direttiva 1999/5/CE.

Per ulteriori dettagli, si prega di consultare il seguente URL: <http://www.compliance.sony.de/>



Trattamento del dispositivo elettrico o elettronico a fine vita (applicabile in tutti i paesi dell'Unione Europea e in altri paesi europei con sistema di raccolta differenziata)

Questo simbolo sul prodotto o sulla confezione indica che il prodotto non deve essere considerato come un normale rifiuto domestico, ma deve invece essere consegnato ad un punto di raccolta appropriato per il

riciclo di apparecchi elettrici ed elettronici. Assicurandovi che questo prodotto sia smaltito correttamente, voi contribuirete a prevenire potenziali conseguenze negative per l'ambiente e per la salute che potrebbero altrimenti essere causate dal suo smaltimento inadeguato. Il riciclaggio dei materiali aiuta a conservare le risorse naturali. Per informazioni più dettagliate circa il riciclaggio di questo prodotto, potete contattare l'ufficio comunale, il servizio locale di smaltimento rifiuti oppure il negozio dove l'avete acquistato.

In caso di smaltimento abusivo di apparecchiature elettriche e/o elettroniche potrebbero essere applicate le sanzioni previste dalla normativa applicabile (valido solo per l'Italia).



Trattamento delle pile esauste (applicabile in tutti i paesi dell'Unione Europea e in altri paesi Europei con sistema di raccolta differenziata)

Questo simbolo sul prodotto o sulla confezione indica che la pila non deve essere considerata un normale rifiuto domestico.

Su alcuni tipi di pile questo simbolo potrebbe essere utilizzato in combinazione con un simbolo chimico. I simboli chimici del mercurio (Hg) o del piombo (Pb) sono aggiunti, se la batteria contiene più dello 0,0005% di mercurio o dello 0,004% di piombo.

Assicurandovi che le pile siano smaltite correttamente, contribuirte a prevenire potenziali conseguenze negative per l'ambiente e per la salute che potrebbero altrimenti essere causate dal loro inadeguato smaltimento.

Il riciclaggio dei materiali aiuta a conservare le risorse naturali.

In caso di prodotti che per motivi di sicurezza, prestazione o protezione dei dati richiedano un collegamento fisso ad una pila interna, la stessa dovrà essere sostituita solo da personale di assistenza qualificato.

Consegnare il prodotto a fine vita al punto di raccolta idoneo allo smaltimento di apparecchiature elettriche ed elettroniche; questo assicura che anche la pila al suo interno venga trattata correttamente.

Per le altre pile consultate la sezione relativa alla rimozione sicura delle pile. Conferire le pile esauste presso i punti di raccolta indicati per il riciclo. Per informazioni più dettagliate circa lo smaltimento della pila esausta o del prodotto, potete contattare il Comune, il servizio locale di smaltimento rifiuti oppure il negozio dove l'avete acquistato.

Sommario

Precauzioni	5
Tecnologia senza fili BLUETOOTH	7
Installazione del diffusore soundbar su una parete	8
Uso della funzione di Controllo per HDMI	10
Utilizzo delle funzionalità "BRAVIA" Sync	10
Risoluzione dei problemi	11
Caratteristiche tecniche	14

Precauzioni

Informazioni sulla sicurezza

- Se oggetti liquidi o solidi dovessero cadere all'interno del sistema, scollegare il sistema e richiedere un controllo da parte di personale qualificato prima di procedere con l'uso.
- Non salire sul diffusore soundbar o sul subwoofer, poiché si potrebbe cadere e provocarsi delle lesioni personali, o danneggiare il sistema.
- Non appoggiare oggetti sulla parte superiore del sistema.
- Non introdurre oggetti all'interno dei fori (condotto centrale o fori di ventilazione nella parte posteriore) del sistema.
- Dal momento che il sistema produce vibrazioni quando è in funzione, collocarlo in modo da evitare cadute accidentali.

Alimentazione

- Prima di utilizzare il sistema, verificare che la tensione di funzionamento sia identica all'alimentazione locale. La tensione di funzionamento è indicata sulla targhetta nella parte posteriore del diffusore soundbar.
- Se non si intende utilizzare il sistema per lungo tempo, assicurarsi di dalla presa a muro. Per scollegare il cavo di alimentazione CA, afferrare la spina; non tirare mai il cavo.
- Una delle punte della spina è più ampia dell'altra, ai fini della sicurezza, e può entrare nella presa elettrica a muro con un solo orientamento. Qualora non si riesca a inserire completamente la spina nella presa elettrica a muro, contattare il rivenditore.
- Il cavo di alimentazione CA può essere sostituito soltanto presso un centro di assistenza qualificato.

Accumulo di calore

Il riscaldamento del sistema durante l'uso non indica un problema di funzionamento. Se il sistema viene utilizzato in modo continuo e a volume elevato, la temperatura delle parti posteriore e inferiore potrebbe aumentare notevolmente. Per evitare ustioni, non toccare il sistema.

Posizionamento

- Lo spazio intorno al sistema deve essere sufficientemente sgombro per consentire la dissipazione del. Se si colloca il sistema all'interno di uno scaffale, lasciare almeno 5 cm di spazio libero al di sopra del sistema e almeno 5 cm di spazio libero ai lati del sistema. Lo scaffale dietro il sistema deve essere aperto. Se si colloca il sistema con il retro contro la parete, lasciare almeno 10 cm di spazio tra il sistema e la parete.
- Lasciare aperta la parte anteriore del sistema.
- Non collocare il sistema sulla parte superiore di un apparecchio che irradia calore.
- Collocare il sistema in un luogo che consenta un'adeguata ventilazione per prevenire il surriscaldamento e prolungare la vita del sistema.
- Non posizionare il sistema in prossimità di fonti di calore o in luoghi soggetti alla luce diretta del sole, a polvere eccessiva o urti meccanici.
- Non appoggiare sulla parte posteriore del sistema alcun oggetto che potrebbe ostruire i fori di ventilazione e provocare dei malfunzionamenti.
- Se il sistema viene utilizzato insieme a un televisore, un videoregistratore o una piastra, si potrebbero produrre dei disturbi, e la qualità delle immagini potrebbe deteriorarsi. In questo caso, allontanare il sistema dal televisore, dal videoregistratore o dalla piastra.
- Prestare attenzione se si posiziona il sistema su superfici trattate con prodotti speciali (quali cera, olio, lucidanti, ecc.) onde evitare macchie o scolorimento della superficie.
- Fare attenzione a non danneggiare in alcun modo gli angoli del diffusore soundbar o del subwoofer.

Gestione del subwoofer

Non inserire la mano nella fessura del subwoofer mentre si solleva quest'ultimo. Si potrebbe danneggiare il driver del diffusore. Mentre si solleva il subwoofer, afferrare la parte inferiore di quest'ultimo.

Funzionamento

Prima di collegare altri apparecchi, assicurarsi di spegnere e scollegare il sistema.

Se i colori visualizzati sullo schermo di un televisore collocato nelle vicinanze presentano irregolarità

Su alcuni tipi di televisori possono essere rilevate irregolarità nei colori.

Se si verificano irregolarità dei colori...

Spegnerne il televisore e quindi riaccenderlo dopo 15-30 minuti.

Se si verificano di nuovo irregolarità dei colori...

Allontanare il sistema dal televisore.

Pulizia

Per pulire il sistema, utilizzare un panno morbido e asciutto. Non utilizzare alcun tipo di spugna abrasiva, polvere pulente o solventi quali alcool o benzene.

Per qualsiasi domanda o problema riguardante il sistema, rivolgersi al rivenditore Sony più vicino.

Copyright

Il presente sistema incorpora Dolby* Digital e DTS** Digital Surround System.

* Prodotto su licenza di Dolby Laboratories.

Dolby, e il simbolo della doppia D sono marchi di Dolby Laboratories.

** Prodotto su licenza dei brevetti statunitensi: 5.956.674; 5.974.380; 6.226.616; 6.487.535; 7.212.872; 7.333.929; 7.392.195; 7.272.567 e di altri brevetti statunitensi e internazionali emessi e in attesa di registrazione. DTS-HD, il simbolo e DTS-HD e il relativo simbolo sono marchi registrati di DTS, Inc.

Il prodotto è comprensivo di software. ©DTS, Inc.

Tutti i diritti riservati.

Il marchio figurativo e i logo BLUETOOTH® sono marchi registrati di proprietà di Bluetooth SIG, Inc. e qualsiasi uso di tali marchi da parte di Sony Corporation è sotto licenza.

Il presente sistema incorpora la tecnologia High-Definition Multimedia Interface (HDMI™).

I termini HDMI e HDMI High-Definition Multimedia Interface, e il logo HDMI, sono marchi o marchi registrati di HDMI Licensing LLC negli Stati Uniti e in altre nazioni.

“BRAVIA” è un logo del marchio Sony Corporation.

“x.v.Colour” e il logo “x.v.Colour” sono marchi di Sony Corporation.

N Mark è un marchio o un marchio registrato di NFC Forum, Inc. negli Stati Uniti e in altre nazioni.

Android è un marchio di Google Inc.

© 2012 CSR plc e le aziende appartenenti al gruppo.

Il marchio aptX® e il logo aptX sono marchi commerciali di CSR plc o di una delle aziende appartenenti al gruppo e possono essere registrati in una o più giurisdizioni.

Gli altri marchi di fabbrica e nomi commerciali appartengono ai rispettivi proprietari.

Tecnologia senza fili BLUETOOTH

Versioni e profili BLUETOOTH supportati

Il termine "profilo" si riferisce a una serie di funzionalità standard per svariate funzioni dei prodotti BLUETOOTH. Vedere "Caratteristiche tecniche" (pagina 14) in versioni e profili BLUETOOTH supportati da questo sistema.

Note

- Affinché l'utente possa utilizzare la funzione BLUETOOTH, l'apparecchio BLUETOOTH da collegare deve supportare lo stesso profilo del presente sistema. Anche qualora l'apparecchio supporti lo stesso profilo, le funzioni potrebbero variare a causa delle caratteristiche tecniche dell'apparecchio BLUETOOTH.
- La riproduzione audio sul presente sistema potrebbe presentare un ritardo rispetto a quella sull'apparecchio BLUETOOTH, a causa delle caratteristiche della tecnologia senza fili BLUETOOTH.

Raggio d'azione effettivo delle comunicazioni

Gli apparecchi BLUETOOTH andrebbero utilizzati entro una distanza approssimativa di 10 metri (senza ostacoli) l'uno dall'altro. Il raggio d'azione effettivo delle comunicazioni può ridursi nelle condizioni seguenti.

- Quando una persona, un oggetto metallico, una parete o un altro ostacolo si frappone tra gli apparecchi che comunicano mediante una connessione BLUETOOTH
- In ubicazioni in cui sia installata una LAN wireless
- In prossimità di forni a microonde in uso
- In ubicazioni in cui possano essere presenti onde elettromagnetiche

Effetti di altri apparecchi

Gli apparecchi BLUETOOTH e le LAN wireless (IEEE 802.11b/g) utilizzano la stessa banda di frequenza (2,4 GHz). Quando si utilizza un apparecchio BLUETOOTH in prossimità di un apparecchio con funzionalità LAN wireless, può verificarsi un'interferenza elettromagnetica.

Questo può provocare riduzione delle velocità di trasferimento dati, disturbi o impossibilità di connettersi. Qualora si verifici questa eventualità, provare ad adottare le azioni correttive seguenti:

- Provare a connettere il presente sistema e un telefono cellulare BLUETOOTH o un apparecchio BLUETOOTH quando ci si trova a una distanza di almeno 10 metri dall'apparecchio LAN wireless.
- Spegnerne l'apparecchio LAN wireless quando si utilizza l'apparecchio BLUETOOTH a una distanza inferiore a 10 metri.

Effetti sugli altri apparecchi

Le onde radio emesse dal presente sistema possono interferire con il funzionamento di alcune apparecchiature medicali. Poiché questa interferenza potrebbe provocare un malfunzionamento, spegnere sempre il presente sistema, i telefoni cellulari BLUETOOTH e gli apparecchi BLUETOOTH nelle ubicazioni seguenti:

- Negli ospedali, sui treni, negli aeroplani, nelle pompe di benzina e in qualsiasi luogo in cui possano essere presenti gas infiammabili
- In prossimità di porte automatiche o allarmi antincendio

Note

- Il presente sistema supporta funzioni di sicurezza conformi con la specifica BLUETOOTH come garanzia della sicurezza delle comunicazioni eseguite tramite tecnologia BLUETOOTH. Tuttavia, questa sicurezza potrebbe essere insufficiente, a seconda dei contenuti delle impostazioni e di altri fattori; pertanto, fare sempre attenzione nell'effettuare comunicazioni utilizzando la tecnologia BLUETOOTH.
- Sony non si assume alcuna responsabilità per eventuali danni o altre perdite derivanti da fughe di informazioni durante le comunicazioni mediante la tecnologia BLUETOOTH.
- Le comunicazioni BLUETOOTH non sono necessariamente garantite con tutti gli apparecchi BLUETOOTH che abbiano lo stesso profilo del presente sistema.

- Gli apparecchi BLUETOOTH connessi al presente sistema devono essere conformi alle specifiche BLUETOOTH definite da Bluetooth SIG, Inc., e la loro conformità deve essere certificata. Tuttavia, anche quando un apparecchio è conforme alle specifiche BLUETOOTH, potrebbero sussistere dei casi in cui le caratteristiche o le specifiche dell'apparecchio BLUETOOTH in questione potrebbero rendere impossibile la connessione, oppure risultare in metodi di controllo, visualizzazioni o funzionamento diversi.
- A seconda dell'apparecchio BLUETOOTH connesso con il presente sistema, dell'ambiente di comunicazione o delle condizioni circostanti, possono verificarsi disturbi o l'audio potrebbe venire interrotto.

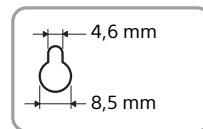
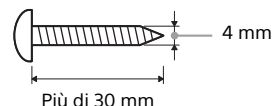
Installazione del diffusore soundbar su una parete

È possibile installare il diffusore soundbar su una parete.

Note

- Utilizzare viti adatte al materiale e alla robustezza della parete. Una parete di cartongesso è particolarmente fragile; in questo caso, fissare le viti a una trave. Installare il diffusore soundbar su una parte verticale, piana e rinforzata della parete.
- Affidare l'installazione a rivenditori Sony o a tecnici autorizzati e prestare particolare attenzione alla sicurezza durante l'installazione.
- Sony non potrà essere ritenuta responsabile in caso di incidenti o danni dovuti a un'installazione non corretta, a pareti non sufficientemente robuste, all'inserimento improprio delle viti, a calamità naturali e così via.

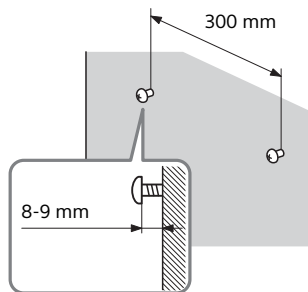
1 Predisporre viti (non in dotazione) di dimensioni idonee per i fori sul retro del diffusore soundbar.



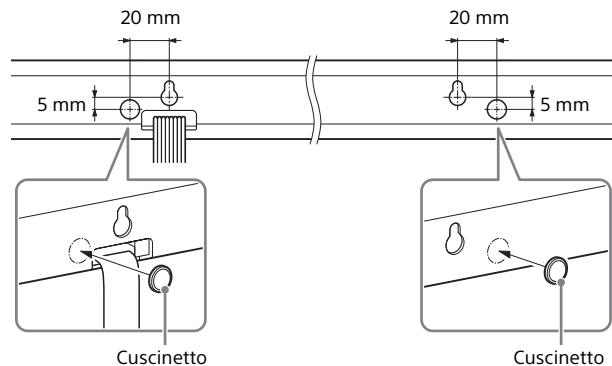
Foro sul retro del diffusore soundbar

2 Serrare le viti alla parete.

Le viti dovrebbero sporgere di 8-9 mm.

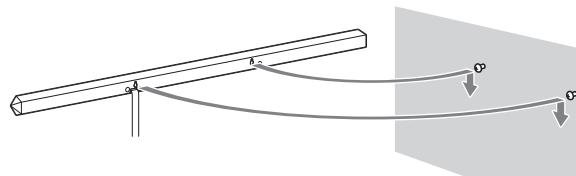


3 Incollare i cuscinetti in dotazione sul retro del diffusore soundbar.



4 Appendere il diffusore soundbar alle viti.

Allineare i fori sul retro del diffusore soundbar alle viti, quindi appendere il diffusore soundbar sulle 2 viti.



Uso della funzione di Controllo per HDMI

Abilitando la funzione di Controllo per HDMI e collegando un apparecchio che è compatibile con la funzione di Controllo per HDMI mediante un cavo HDMI, l'operatività viene semplificata grazie alle funzionalità illustrate di seguito.

Spegnimento del sistema

Quando si spegne il televisore con il tasto di accensione del telecomando del televisore, il sistema e l'apparecchio collegato si spengono automaticamente.

Controllo audio del sistema

Se si accende il sistema mentre si guarda il televisore, l'audio del televisore viene emesso automaticamente dai diffusori del sistema. Il volume del sistema viene regolato quando si regola il volume del televisore.

Se l'ultima volta che si è spento il televisore l'audio del televisore proveniva dai diffusori del sistema, il sistema si accende automaticamente alla riaccensione del televisore, e l'audio del televisore viene emesso automaticamente dai diffusori del sistema.

Audio Return Channel (ARC)

Se il televisore è compatibile con la tecnologia Audio Return Channel (ARC), un collegamento mediante cavo HDMI consente di trasmettere anche il segnale audio digitale dal televisore al sistema. Non è necessario un collegamento audio separato per ascoltare l'audio del televisore dal sistema.

Riproduzione One-Touch

Quando si riproduce l'apparecchio collegato al sistema con un cavo HDMI, il televisore collegato si accende automaticamente e il segnale in ingresso del sistema viene commutato sull'ingresso HDMI adatto.

Note

- Le funzionalità precedentemente descritte potrebbero non essere operative su determinati apparecchi.
- In base alle impostazioni dell'apparecchio collegato, la funzione di Controllo per HDMI potrebbe presentare delle anomalie. Consultare le istruzioni per l'uso dell'apparecchio.

Utilizzo delle funzionalità "BRAVIA" Sync

Le funzioni originali Sony elencate di seguito possono inoltre essere utilizzate con prodotti compatibili con "BRAVIA" Sync.

Risparmio energia

Se un televisore compatibile con "BRAVIA" Sync viene collegato al sistema, il consumo energetico si riduce in modalità standby arrestando la trasmissione del segnale HDMI quando il televisore è spento.

Note sui collegamenti HDMI

- Utilizzare un cavo High Speed HDMI. Se si utilizza un cavo Standard HDMI, le immagini a 1080p, Deep Color o 3D/4K potrebbero non essere visualizzate correttamente.
- Utilizzare un cavo HDMI autorizzato.
Utilizzare un cavo Sony High Speed HDMI contrassegnato dal logo che indica il tipo di cavo.
- L'uso di un cavo di conversione HDMI-DVI non è consigliato.

- Verificare le impostazioni dell'apparecchio collegato se l'immagine è di qualità scadente o se l'apparecchio collegato tramite cavo HDMI non emette suoni.
- I segnali audio (frequenza di campionamento, lunghezza in bit, ecc.) trasmessi da una presa HDMI possono essere eliminati dall'apparecchio collegato.
- L'audio può interrompersi se vengono cambiati la frequenza di campionamento o il numero di canali dei segnali di uscita audio dall'apparecchio di riproduzione.
- Se l'apparecchio collegato non è compatibile con la tecnologia di protezione del copyright (HDCP), l'immagine e/o l'audio emessi dalla presa HDMI OUT ARC(TV) potrebbero risultare distorti o assenti. In questo caso, verificare le caratteristiche tecniche dell'apparecchio collegato.
- Se "TV" viene selezionata come sorgente di ingresso per il sistema, dalla presa HDMI OUT ARC(TV) vengono emessi i segnali video da una delle prese HDMI IN selezionata per ultima.
- Questo sistema supporta la trasmissione Deep Color, "x.v.Colour", 3D e 4K.
- Per visualizzare immagini 3D, collegare al sistema televisori e apparecchi video compatibili 3D (lettore Blu-ray Disc, "PlayStation®3" e così via) utilizzando cavi High Speed HDMI, indossare gli occhiali 3D e avviare la riproduzione di Blu-ray Disc compatibili 3D.
- Per visualizzare immagini 4K, il televisore e i lettori collegati al sistema devono essere compatibili con le immagini 4K.

Risoluzione dei problemi

Se durante l'utilizzo del sistema si verifica una delle situazioni descritte di seguito, consultare questa guida alla risoluzione dei problemi prima di richiedere la riparazione. Se il problema persiste, rivolgersi al rivenditore Sony più vicino.

ALIMENTAZIONE

Il sistema non si accende.

→ Accertarsi che il cavo di alimentazione CA sia collegato saldamente.

Il sistema viene spento automaticamente.

→ La funzione "A. STBY" è attiva. Impostare "A. STBY" su "OFF" (consultare "Regolazione delle impostazioni" nelle Istruzioni per l'uso).

AUDIO

L'audio del televisore non viene trasmesso dal sistema.

→ Assicurarsi di aver selezionato correttamente la sorgente di ingresso. Si potrebbero provare altre sorgenti di ingresso premendo più volte il tasto INPUT (consultare "Ascolto dell'audio" nelle Istruzioni per l'uso).

→ Controllare il collegamento del cavo HDMI, del cavo ottico digitale o del cavo audio collegato al sistema e al televisore (consultare "Collegamento" nelle Istruzioni per l'uso).

→ Verificare che sul display del pannello frontale venga visualizzato "TV" come sorgente di ingresso.

→ Controllare l'uscita audio del televisore.

→ Accertarsi che il volume audio del televisore non sia troppo basso o assente.

→ Se un televisore compatibile con la tecnologia Audio Return Channel (ARC) è collegato con un cavo HDMI, accertarsi che il cavo sia collegato alla presa HDMI (ARC) del televisore.

→ Se il televisore non è compatibile con la tecnologia Audio Return Channel (ARC), collegare il cavo ottico digitale in aggiunta al cavo HDMI per poter produrre l'audio.

L'audio viene emesso sia dai diffusori del sistema sia dai diffusori del televisore.

→ Disattivare l'audio del sistema o del televisore.

L'audio è in ritardo rispetto all'immagine sul televisore.

→ Impostare "SYNC" su "OFF" se si trova in una posizione da 1 a 4 (consultare "Regolazione delle impostazioni" nelle Istruzioni per l'uso).

Il diffusore soundbar o il subwoofer non riproducono suoni o riproducono un suono di livello molto basso.

- Premere VOL + e controllare il livello del volume (consultare “Componenti e comandi” nelle Istruzioni per l’uso).
- Per annullare la funzione di esclusione dell’audio, premere MUTING sul telecomando oppure VOL + (consultare “Componenti e comandi” nelle Istruzioni per l’uso).
- Controllare che i cavi del diffusore del diffusore soundbar siano ben inseriti nel subwoofer.
- Assicurarsi di aver selezionato correttamente la sorgente di ingresso. Si potrebbero provare altre sorgenti di ingresso premendo più volte il tasto INPUT (consultare “Ascolto dell’audio” nelle Istruzioni per l’uso).
- Controllare che la sorgente di ingresso sia stata selezionata correttamente.
- Controllare che tutti i cavi del sistema e dell’apparecchio collegato siano inseriti a fondo.
- Per aumentare il livello del volume del subwoofer, premere SW VOL + sul telecomando (consultare “Componenti e comandi” nelle Istruzioni per l’uso).
- Un subwoofer consente la riproduzione audio dei bassi. In caso di sorgenti di ingresso contenenti audio caratterizzato da pochissimi bassi (ad esempio una trasmissione televisiva), l’audio proveniente dal subwoofer potrebbe essere poco percepibile.

L’audio multicanale Dolby Digital o DTS non viene riprodotto.

- Controllare l’impostazione audio del formato Dolby Digital o DTS del lettore Blu-ray Disc, del lettore DVD, e simili, collegati al sistema.

Non è possibile ottenere l’effetto surround.

- A seconda del segnale in ingresso e dell’impostazione SOUND MODE, l’elaborazione audio surround potrebbe non funzionare in modo efficace. L’effetto surround può essere poco rilevabile a causa del programma o del disco.
- Se si collega un lettore di Blu-ray Disc o un lettore di DVD compatibile con la funzione di effetto surround, l’effetto surround del sistema potrebbe non funzionare. In questo caso, disattivare la funzione di effetto surround dell’apparecchio collegato. Per i dettagli, consultare le istruzioni per l’uso in dotazione con l’apparecchio collegato.

BLUETOOTH

È impossibile completare la connessione BLUETOOTH.

- Assicurarsi che la luce blu dell’indicatore BLUETOOTH sia accesa (consultare “Ascolto dell’audio da apparecchi BLUETOOTH” nelle Istruzioni per l’uso).

Stato del sistema	Stato dell’indicatore
Durante l’associazione BLUETOOTH	Lampeggia rapidamente in blu.
Il sistema sta tentando di connettersi con un apparecchio BLUETOOTH	Lampeggia in blu.
Il sistema ha stabilito una connessione con un apparecchio BLUETOOTH	Si illumina in blu.
Il sistema è in modalità standby BLUETOOTH (quando il sistema è spento)	Lampeggia lentamente in blu.

- Assicurarsi che l’apparecchio BLUETOOTH da collegare sia acceso e che la funzione BLUETOOTH sia attiva.
- Collocare questo sistema e l’apparecchio BLUETOOTH a una distanza minima.
- Rieseguire l’associazione tra questo sistema e l’apparecchio BLUETOOTH.
 - Potrebbe essere necessario annullare l’associazione con il presente sistema utilizzando prima l’apparecchio BLUETOOTH.

Non si riesce a effettuare l’associazione.

- Accostare maggiormente questo sistema all’apparecchio BLUETOOTH (consultare “Ascolto dell’audio da apparecchi BLUETOOTH” nelle Istruzioni per l’uso).
- Assicurarsi che questo sistema non riceva interferenze da una rete Wi-Fi, da altri apparecchi wireless a 2,4 GHz o da un forno a microonde. Se nelle immediate vicinanze è presente un apparecchio che genera radiazioni elettromagnetiche, allontanare l’apparecchio da questo sistema.

La connessione BLUETOOTH non è attiva.

L’apparecchio collegato non produce suoni.

- Ridurre la distanza tra questo sistema e l’apparecchio BLUETOOTH.


- Se nelle immediate vicinanze è presente un apparecchio che genera radiazioni elettromagnetiche, come nel caso di una rete Wi-Fi, di altri apparecchi BLUETOOTH o di un forno a microonde, allontanare l'apparecchio da questo sistema.
- Rimuovere tutti gli ostacoli frapposti tra questo sistema e l'apparecchio BLUETOOTH, o allontanare questo sistema dall'ostacolo.
- Riposizionare l'apparecchio BLUETOOTH collegato.
- Provare a modificare la frequenza Wi-Fi del router Wi-Fi, del computer, e così via, sulla banda da 5 GHz.

L'audio non è sincronizzato con l'immagine.

- Durante la visione dei film, si potrebbe verificare un leggero ritardo dell'audio rispetto all'immagine.

ALTRO

Il telecomando non funziona.

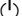
- Puntare il telecomando verso il sensore  del telecomando posto sul sistema (consultare "Componenti e comandi" nelle Istruzioni per l'uso).
- Rimuovere eventuali ostacoli tra il telecomando e il sistema.
- Sostituire entrambe le pile nel telecomando, se la carica sta per esaurirsi.
- Verificare che sia premuto il tasto corretto sul telecomando.

La funzione Controllo per HDMI non funziona correttamente.

- Controllare il collegamento HDMI.
- Impostare la funzione di Controllo per HDMI sul televisore.
- Assicurarsi che gli apparecchi collegati siano compatibili con "BRAVIA" Sync.
- Verificare le impostazioni di Controllo per HDMI sull'apparecchio collegato. Consultare le istruzioni per l'uso in dotazione con l'apparecchio collegato.
- Se si collega/scollega il cavo di alimentazione CA, attendere almeno 15 secondi prima di utilizzare il sistema.



- Se si collegano l'uscita audio dell'apparecchio video e il sistema utilizzando un cavo diverso dal cavo HDMI, è possibile che non venga trasmesso l'audio a causa di "BRAVIA" Sync. In questo caso, impostare "CTRL" su "OFF" (consultare "Regolazione delle impostazioni" nelle Istruzioni per l'uso) o collegare la presa di uscita audio direttamente al televisore, anziché al sistema.

Viene visualizzato "PRTECT (protect)" sul display del pannello frontale.

- Premere il tasto  per spegnere il sistema. Dopo la scomparsa dell'indicazione "STBY", scollegare il cavo di alimentazione CA, quindi controllare che non vi siano ostruzioni ai fori di ventilazione del sistema.

RESET

Se il sistema non funziona ancora correttamente, eseguire un'operazione di reset del sistema, seguendo le indicazioni riportate di seguito:

- 1 Premere il tasto  per accendere il subwoofer.**
- 2 Premere il tasto  mentre si preme INPUT e VOL – sul subwoofer.**

Viene visualizzato "RESET" e viene eseguito il ripristino del sistema. Le impostazioni relative a menu, SOUND MODE, e così via, tornano ai valori predefiniti.

Caratteristiche tecniche

Diffusore soundbar (SS-ST3)

Diffusori anteriore S/Anteriore D:

Sistema di diffusori

sistema di diffusori a 2 vie, tipo radiatore passivo

Diffusore

Woofers: 30 mm × 100 mm tipo a cono

Tweeter: 14 mm tipo a cupola

Radiatore passivo: 30 mm × 100 mm tipo a cono

Impedenza nominale

3 ohm

Diffusore centrale

Sistema di diffusori

sistema di diffusori a 2 vie, tipo sospensione acustica

Diffusore

Woofers: 30 mm × 100 mm tipo a cono × 2

Tweeter: 14 mm tipo a cupola

Impedenza nominale

3 ohm

Informazioni generali

Dimensioni (approssimative) (l/a/p)

900 mm × 40 mm × 32,5 mm (senza supporti)

900 mm × 42 mm × 30 mm (con supporti)

Peso (approssimativo)

0,9 kg (con supporti)

Subwoofer (SA-WST3)

Sezione amplificatore

USCITA DI POTENZA (nominale)

Anteriore S + Anteriore D: 15 W + 15 W (su 3 ohm, 1 kHz, con distorsione armonica totale dell'1%)

USCITA DI POTENZA (riferimento)

Diffusore anteriore S/Anteriore D: 25 W × 2 (per canale su 3 ohm, a 1 kHz)

Diffusore centrale: 25 W × 2 (per canale su 3 ohm, a 1 kHz)

Subwoofer: 75 W × 2 (per canale su 4 ohm, a 100 Hz)

Ingressi

HDMI IN 1/2/3*

DIGITAL IN TV/OPT

ANALOG IN

* Queste 3 prese sono identiche. Utilizzarne una anziché un'altra è indifferente.

Uscita

HDMI OUT ARC(TV)

Sezione del diffusore

Sistema di diffusori

Subwoofer, bass reflex

Diffusore

100 mm × 150 mm tipo a cono × 2

Impedenza nominale

4 ohm

Sezione BLUETOOTH

Sistema di comunicazione

Specifiche BLUETOOTH versione 3.0

Uscita

Specifica BLUETOOTH di potenza di Classe 2

Raggio d'azione massimo delle comunicazioni

In linea d'aria senza ostacoli circa 10 m¹⁾

Numero massimo di apparecchi da registrare

9 apparecchi

Banda di frequenza

Banda da 2,4 GHz (da 2,4000 GHz a 2,4835 GHz)

Metodo di modulazione

FHSS (Freq Hopping Spread Spectrum)

Profili BLUETOOTH compatibili²⁾

A2DP (Advanced Audio Distribution Profile)

AVRCP 1.3 (Audio Video Remote Control Profile)

Codec supportati³⁾

SBC⁴⁾, AAC⁵⁾, aptX

1) Il raggio d'azione effettivo varia a seconda di fattori quali ostacoli tra gli apparecchi, campi magnetici intorno a un forno a microonde, elettricità statica, telefoni cordless, sensibilità in ricezione, sistema operativo, applicazioni software e così via.

- 2) I profili standard BLUETOOTH indicano lo scopo della comunicazione BLUETOOTH tra gli apparecchi.
- 3) Codec: formato di compressione e conversione del segnale audio
- 4) Subband Codec
- 5) Advanced Audio Coding

Informazioni generali

Requisiti di alimentazione

220 V - 240 V CA, 50 Hz/60 Hz

Assorbimento

Accesso: 40 W

In modalità Standby il "Controllo per HDMI" non è attivo e la modalità

Standby di BLUETOOTH è spenta: 0,5 W o meno

Dimensioni (approssimative)

430 mm × 135 mm × 370,5 mm (l/a/p)

Peso (approssimativo)

8,2 kg

Formati di ingresso audio digitale supportati dal sistema

Dolby Digital

DTS-HD High Resolution Audio*

Dolby TrueHD*

DTS-HD Low Bit Rate*

DTS

Linear PCM 2ch 48 kHz o inferiore

DTS 96/24

Linear PCM Maximum 7.1ch 192 kHz o inferiore*

DTS-HD Master Audio*

* È possibile inserire questi formati solo con il collegamento HDMI.

Formati video supportati dal sistema

Ingresso/uscita (blocco del ripetitore HDMI)

File	2D	3D		
		Frame packing	Affiancato (Metà)	Over-Under (Top-and-Bottom)
4096 × 2160p @ 23,98/24 Hz	○	-	-	-
3840 × 2160p @ 29,97/30 Hz	○	-	-	-
3840 × 2160p @ 25 Hz	○	-	-	-
3840 × 2160p @ 23,98/24 Hz	○	-	-	-
1920 × 1080p @ 59,94/60 Hz	○	-	○	○
1920 × 1080p @ 50 Hz	○	-	○	○
1920 × 1080p @ 29,97/30 Hz	○	○	○	○
1920 × 1080p @ 25 Hz	○	○	○	○
1920 × 1080p @ 23,98/24 Hz	○	○	○	○
1920 × 1080i @ 59,94/60 Hz	○	○	○	○
1920 × 1080i @ 50 Hz	○	○	○	○
1280 × 720p @ 59,94/60 Hz	○	○	○	○
1280 × 720p @ 50 Hz	○	○	○	○
1280 × 720p @ 29,97/30 Hz	○	○	○	○
1280 × 720p @ 23,98/24 Hz	○	○	○	○
720 × 480p @ 59,94/60 Hz	○	-	-	-
720 × 576p @ 50 Hz	○	-	-	-
640 × 480p @ 59,94/60 Hz	○	-	-	-

Il design e le caratteristiche tecniche sono soggetti a modifiche senza preavviso.

Informazioni su prodotti ecocompatibili

- Consumo energetico in standby:
0,5 W o inferiore
- Oltre l'85% dell'efficienza energetica del blocco dell'amplificatore si ottiene con l'amplificatore full digital, S-Master.

OSTRZEŻENIE

Nie należy umieszczać urządzeń w miejscach o ograniczonej przestrzeni, takich jak półka na książki.

Aby zredukować ryzyko pożaru, nie należy przykrywać otworów wentylacyjnych urządzenia gazetami, ścierkami, zasłonami itp. Urządzenia nie należy wystawiać na działanie otwartych źródeł ognia (np. takich jak świeczki).

Aby zredukować ryzyko pożaru lub porażenia prądem, nie należy narażać urządzenia na kapanie lub rozbryzgi cieczy, a także nie należy stawiać na nim przedmiotów wypełnionych płynami, takich jak wazonny.

Urządzenie pozostaje podłączone do gniazda ściennego, dopóki nie zostanie odłączony przewód zasilający, nawet jeśli samo urządzenie jest wyłączone.

Ponieważ urządzenie wyłącza się poprzez wyciągnięcie wtyczki ze źródła zasilania, należy podłączyć je do łatwo dostępnego gniazdka zasilającego. Jeśli urządzenie nie pracuje poprawnie, należy natychmiast odłączyć wtyczkę zasilającą z gniazdka.

Baterii ani urządzenia z zainstalowanymi bateriami nie należy narażać na działanie zbyt wysokich temperatur, na przykład na bezpośrednie działanie promieni słonecznych i ognia.

Tylko do użytku wewnątrz budynków.

Kable zalecane do użycia

Do połączenia z komputerami i/lub urządzeniami peryferyjnymi należy stosować prawidłowo ekranowane i uziemione kable oraz złącza.

W wyniku testów opisywanego sprzętu stwierdzono, że jest on zgodny z ograniczeniami określonymi w Dyrektywie EMC, gdy używany kabel połączeniowy nie przekracza 3 metrów.

Uwaga dla klientów: poniższe informacje mają zastosowanie wyłącznie do urzędzeń, które zostały wprowadzone do sprzedaży w krajach stosujących dyrektywę Unii Europejskiej.

Produkt ten został wyprodukowany przez lub na zlecenie Sony Corporation, 1-7-1 Konan Minato-ku Tokio, 108-0075 Japonia. Przedsiębiorcą wprowadzającym produkt do obrotu na terytorium Rzeczypospolitej Polskiej jest Sony Europe Limited, The Heights, Brooklands, Weybridge, Surrey KT13 0XW, Wielka Brytania. Zapytania dotyczące zgodności produktu z wymaganiami prawa Unii Europejskiej należy kierować do Sony Deutschland GmbH, Hedelfinger Strasse 61, 70327 Stuttgart, Niemcy. W kwestiach dotyczących usług serwisowych lub gwarancji należy korzystać z adresów kontaktowych podanych w oddzielnych dokumentach dotyczących usług serwisowych lub gwarancji.

Nadzór nad dystrybucją na terytorium Rzeczypospolitej Polskiej sprawuje Sony Europe Limited, The Heights, Brooklands, Weybridge, Surrey, KT13 0XW, United Kingdom.



Niniejszym Sony Corp. oświadcza, że niniejsze urządzenie jest zgodne z zasadniczymi wymaganiami oraz innymi stosownymi postanowieniami Dyrektywy 1999/5/WE. Szczegółowe informacje znaleźć można pod następującym adresem URL: <http://www.compliance.sony.de/>



Pozbywanie się zużytego sprzętu (stosowane w krajach Unii Europejskiej i w pozostałych krajach europejskich stosujących własne systemy zbiórki)

Ten symbol na produkcie lub jego opakowaniu oznacza, że produkt nie może być traktowany jako odpad komunalny, lecz powinno się go dostarczyć do odpowiedniego punktu zbiórki sprzętu elektrycznego i elektronicznego, w celu recyklingu.

Odpowiednie zadysponowanie zużytego produktu zapobiega potencjalnym negatywnym wpływom na środowisko oraz zdrowie ludzi, jakie mogłyby wystąpić w przypadku niewłaściwego zagospodarowania odpadów. Recykling materiałów pomaga chronić środowisko naturalne.

W celu uzyskania bardziej szczegółowych informacji na temat recyklingu tego produktu, należy skontaktować się z lokalną jednostką samorządu terytorialnego, ze służbami zagospodarowywania odpadów lub ze sklepem, w którym zakupiony został ten produkt.



Pozbywanie się zużytych baterii (stosowane w krajach Unii Europejskiej i w pozostałych krajach europejskich mających własne systemy zbiórki)

Pb

Ten symbol na baterii lub na jej opakowaniu oznacza, że bateria nie może być traktowana jako odpad komunalny.

Symbol ten dla pewnych baterii może być stosowany w kombinacji z symbolem chemicznym. Symbole chemiczne rtęci (Hg) lub ołowiu (Pb) są dodawane, jeśli bateria zawiera więcej niż 0,0005% rtęci lub 0,004% ołowiu.

Odpowiednio gospodarując zużytymi bateriami, możesz zapobiec potencjalnym negatywnym wpływom na środowisko oraz zdrowie ludzi, jakie mogłyby wystąpić w przypadku niewłaściwego obchodzenia się z tymi odpadami. Recykling baterii pomoże chronić środowisko naturalne. W przypadku produktów, w których ze względu na bezpieczeństwo, poprawne działanie lub integralność danych wymagane jest stałe podłączenie do baterii, wymianę zużytej baterii należy zlecić wyłącznie wykwalifikowanemu personelowi stacji serwisowej. Aby mieć pewność, że bateria znajdująca się w zużytym sprzęcie elektrycznym i elektronicznym

będzie właściwie zagospodarowana, należy dostarczyć sprzęt do odpowiedniego punktu zbiórki.

Spis treści

Zalecenia dotyczące eksploatacji	5
Technologia bezprzewodowa BLUETOOTH	7
Instalacja głośnika Bar Speaker na ścianie	8
Korzystanie z funkcji Sterowanie przez HDMI	9
Korzystanie z funkcji „BRAVIA” Sync	10
Wykrywanie i usuwanie usterek	10
Dane techniczne	13

Zalecenia dotyczące eksploatacji

Bezpieczeństwo

- Jeśli do zestawu dostanie się jakikolwiek przedmiot lub płyn, należy odłączyć przewód zasilania i przed dalszym użytkowaniem zestawu zlecić jego sprawdzenie wykwalifikowanej osobie.
- Nie wolno wspinać się na głośnik Bar Speaker ani na subwoofer, ponieważ grozi to upadkiem i obrażeniami ciała lub uszkodzeniem zestawu.
- Na zestawie nie należy umieszczać żadnych przedmiotów.
- Do otworów zestawu (przewód centralny lub otwory wentylacyjne umieszczone z tyłu zestawu) nie należy wkładać żadnych przedmiotów.
- Ze względu na wibracje podczas pracy zestaw należy umieścić w miejscu wykluczającym jego przypadkowy upadek.

Zasilanie

- Przed rozpoczęciem używania zestawu należy sprawdzić, czy napięcie robocze jest zgodne z zasilaniem lokalnym. Napięcie robocze zostało podane na tabliczce znamionowej z tyłu głośnika Bar Speaker.
- Jeśli nie planuje się używania zestawu przez dłuższy czas, należy odłączyć go od gniazda ściennego. Odłączając przewód zasilający, należy chwycić za wtyczkę; nigdy za przewód.
- Ze względów bezpieczeństwa jeden bolec wtyczki jest szerszy niż drugi, uniemożliwiając nieprawidłowe podłączenie jej do gniazda ściennego. W przypadku problemów z podłączeniem wtyczki należy skontaktować się z lokalnym sprzedawcą.
- Wymianę przewodu zasilania należy zlecać tylko specjalistycznym punktom serwisowym.

Nagrzewanie

Zestaw może nagrzewać się podczas pracy, ale nie oznacza to uszkodzenia. Jeśli zestaw jest ciągle używany przy wysokim poziomie głośności, temperatura zestawu z tyłu i boku obudowy znacznie rośnie. Aby uniknąć oparzenia, nie należy dotykać zestawu.

Usytuowanie

- Ze względu na uwalnianie ciepła konieczne jest pozostawienie wystarczającej przestrzeni wokół zestawu. Umieszczając zestaw w szafie typu rack, należy pozostawić co najmniej 5 cm nad zestawem i co najmniej 5 cm po bokach. Szafa rack z tyłu zestawu powinna zapewniać otwartą przestrzeń. Jeśli tył zestawu ma znajdować się przy ścianie, należy zostawić co najmniej 10 cm przestrzeni między zestawem a ścianą.
- Przód zestawu nie powinien być niczym zastawiony.
- Zestawu nie należy umieszczać na urządzeniu wydzielającym ciepło.
- Zestaw należy ustawić w miejscu o odpowiedniej wentylacji, aby zapobiec przegrzewaniu i zwiększyć jego trwałość.
- Nie należy instalować zestawu w pobliżu źródeł ciepła, ani w miejscu narażonym na bezpośrednie działanie promieni słonecznych, nadmierny kurz lub wstrząsy mechaniczne.
- Z tyłu zestawu nie należy umieszczać żadnych przedmiotów, które mogłyby blokować otwory wentylacyjne i spowodować nieprawidłowe działanie.
- Jeśli zestaw jest używany w połączeniu z telewizorem, magnetowidem lub magnetofonem, mogą wystąpić zakłócenia, a jakość obrazu może ulec pogorszeniu. W takim przypadku należy odsunąć zestaw od telewizora, magnetowidu lub magnetofonu.
- Zachować ostrożność, stawiając zestaw na powierzchniach o specjalnym wykończeniu (woskiem, olejem, politurą itp.), ponieważ mogą ulec poplamieniu lub odbarwieniu.
- Zachować ostrożność, aby nie zranić się o narożniki głośnika Bar Speaker lub subwoofera.

Korzystanie z subwoofera

Nie wolno wkładać dłoni do szczeliny subwoofera podczas jego podnoszenia. Można uszkodzić sterownik głośnika. Podczas podnoszenia subwoofer należy trzymać za spód.

Działanie

Przed podłączeniem innych urządzeń należy wyłączyć zestaw i odłączyć przewód zasilania.

W razie wystąpienia nieregularności kolorów na pobliskim ekranie telewizora

W przypadku niektórych typów telewizorów mogą wystąpić nieregularności kolorów.

W razie wystąpienia nieregularności kolorów...

Wyłącz telewizor, a następnie włącz go ponownie po upływie 15-30 minut.

Jeśli nieregularność kolorów jest ciągle widoczna...

Odsuń zestaw od telewizora.

Czyszczenie

Zestaw należy czyścić miękką, suchą ściereczką. Nie używać szorstkich ściereczek, proszku czyszczącego ani rozpuszczalników, takich jak alkohol lub benzyna.

W razie jakichkolwiek pytań lub problemów dotyczących zestawu należy skontaktować się z lokalnym przedstawicielem firmy Sony.

Prawa autorskie

Zestaw wyposażono w systemy Dolby* Digital i DTS** Digital Surround System.

* Wyprodukowano na licencji firmy Dolby Laboratories. Dolby, oraz symbol podwójnego D są znakami towarowymi firmy Dolby Laboratories.

** Wyprodukowano na licencji na mocy patentu zarejestrowanego w USA pod numerem: 5 956 674; 5 974 380; 6 226 616; 6 487 535; 7 212 872; 7 333 929; 7 392 195; 7 272 567 i innych patentów zarejestrowanych i oczekujących na zarejestrowanie w USA i na całym świecie. DTS-HD, symbol oraz DTS-HD i symbol są zastrzeżonymi znakami towarowymi DTS, Inc.

Produkt zawiera oprogramowanie. © DTS, Inc.

Wszelkie prawa zastrzeżone.

Nazwa i logo BLUETOOTH® są zastrzeżonymi znakami towarowymi firmy Bluetooth SIG, Inc., a jakiegokolwiek ich wykorzystanie przez firmę Sony Corporation podlega licencji.

Zestaw wyposażono w technologię High-Definition Multimedia Interface (HDMI™).

HDMI, HDMI High-Definition Multimedia Interface i logotyp HDMI są znakami towarowymi lub zastrzeżonymi znakami towarowymi firmy HDMI Licensing LLC w Stanach Zjednoczonych i innych krajach.

Logo „BRAVIA” jest znakiem towarowym firmy Sony Corporation.

„x.v.Colour” i logo „x.v.Colour” są znakami towarowymi firmy Sony Corporation.

Znak N jest znakiem towarowym lub zastrzeżonym znakiem towarowym firmy NFC Forum, Inc. w Stanach Zjednoczonych i innych krajach.

Android jest znakiem handlowym firmy Google Inc.

Spółka © 2012 CSR plc i jej podmioty zależne.

Znak aptX® i logo aptX są znakami handlowymi firmy CSR plc lub jednego z jej podmiotów zależnych i mogą być zastrzeżone w jednej lub większej liczbie jurysdykcji.

Pozostałe znaki towarowe i nazwy towarowe stanowią własność odpowiednich firm.

Technologia bezprzewodowa BLUETOOTH

Obsługiwana wersja i profile BLUETOOTH

Profil to standardowy zestaw funkcji poszczególnych produktów BLUETOOTH. W sekcji „Dane techniczne” (strona 13) można znaleźć informacje na temat wersji i profili BLUETOOTH obsługiwanych przez zestaw.

Uwagi

- Aby wykorzystać funkcję BLUETOOTH, podłączane urządzenie BLUETOOTH musi obsługiwać ten sam profil, co zestaw. Nawet, jeśli urządzenie obsługuje ten sam profil, funkcje mogą się różnić ze względu na specyfikację urządzenia BLUETOOTH.
- Odtwarzanie audio na tym zestawie może być opóźnione w stosunku do urządzenia BLUETOOTH z powodu właściwości technologii bezprzewodowej BLUETOOTH.

Skuteczny zasięg komunikacji

Urządzenia BLUETOOTH powinny być używane w odległości około 10 metrów od siebie (bez przeszkód). Skuteczny zasięg komunikacji może być krótszy w następujących warunkach.

- Kiedy między urządzeniami z połączeniem BLUETOOTH znajduje się osoba, metalowy przedmiot, ściana lub inna przeszkoda
- Miejsca, w których jest zainstalowana bezprzewodowa sieć LAN
- W pobliżu używanych kuchenek mikrofalowych
- Miejsca, gdzie występują inne fale elektromagnetyczne

Wpływ innych urządzeń

Urządzenia BLUETOOTH i bezprzewodowa sieć LAN (IEEE 802.11b/g) wykorzystują to samo pasmo częstotliwości (2,4 GHz). Używając urządzenia BLUETOOTH w pobliżu urządzenia z obsługą bezprzewodowej sieci LAN, mogą występować zakłócenia elektromagnetyczne.

Mogłyby to spowodować spadek prędkości przesyłania danych, szum lub uniemożliwić połączenie. W takim przypadku należy podjąć następujące środki zaradcze:

- Spróbuj połączyć zestaw z telefonem komórkowym BLUETOOTH lub urządzeniem BLUETOOTH, kiedy znajdujesz się co najmniej 10 metrów od urządzeń bezprzewodowej sieci LAN.
- Wyłącz zasilanie urządzeń bezprzewodowej sieci LAN, kiedy używasz urządzenia BLUETOOTH w promieniu 10 metrów.

Wpływ na inne urządzenia

Transmisja fal radiowych przez zestaw może zakłócać działanie niektórych urządzeń medycznych. Ponieważ zakłócenia mogą prowadzić do nieprawidłowego działania, zawsze należy wyłączyć zasilanie zestawu, telefon komórkowy BLUETOOTH i urządzenie BLUETOOTH w następujących miejscach:

- Szpitale, pociągi, samoloty, stacje paliw i wszędzie tam, gdzie mogą występować łatwopalne gazy
- W pobliżu drzwi automatycznych lub alarmów pożarowych

Uwagi

- Zestaw obsługuje funkcje zabezpieczeń, zgodne ze specyfikacją BLUETOOTH, w celu zapewnienia bezpieczeństwa podczas komunikacji z wykorzystaniem technologii BLUETOOTH. W zależności od ustawień i innych czynników, te zabezpieczenia mogą być jednak niewystarczające, dlatego zawsze należy zachowywać ostrożność podczas komunikacji za pomocą technologii BLUETOOTH.
- Firma Sony nie ponosi jakiegokolwiek odpowiedzialności za szkody lub innego rodzaju straty w wyniku wycieku informacji podczas komunikacji za pomocą technologii BLUETOOTH.
- Nie można zagwarantować komunikacji BLUETOOTH ze wszystkimi urządzeniami BLUETOOTH, które mają ten sam profil, co zestaw.
- Urządzenia BLUETOOTH połączone z zestawem muszą spełniać specyfikację BLUETOOTH określoną przez firmę Bluetooth SIG, Inc. oraz posiadać certyfikat zgodności. Jednak nawet, kiedy urządzenie spełnia specyfikację BLUETOOTH, mogą wystąpić przypadki, gdzie właściwości lub specyfikacje urządzenia BLUETOOTH uniemożliwią połączenie, lub mogą oferować inne metody sterowania, wyświetlania lub obsługi.
- W zależności od urządzenia BLUETOOTH połączonego z zestawem, warunków komunikacji lub otoczenia, może występować szum lub dźwięk może zanikać.

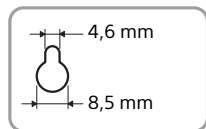
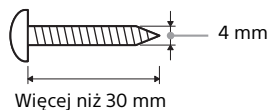
Instalacja głośnika Bar Speaker na ścianie

Głośnik Bar Speaker można zainstalować na ścianie.

Uwagi

- Należy użyć śrub odpowiednich do materiału i wytrzymałości ściany. Ponieważ ściany z płyt gipsowych są szczególnie słabe, należy przykręcić odpowiednio śruby do dźwigara. Głośnik Bar Speaker należy zainstalować na pionowym i płaskim wzmocnionym fragmencie ściany.
- Instalację należy zlecić sprzedawcom firmy Sony lub licencjonowanym wykonawcom. Podczas instalacji należy zwracać szczególną uwagę na bezpieczeństwo.
- Firma Sony nie ponosi odpowiedzialności za wypadki lub szkody spowodowane nieprawidłową instalacją, nieodpowiednią wytrzymałością ściany, nieprawidłowym montażem śrub, katastrofy naturalne itp.

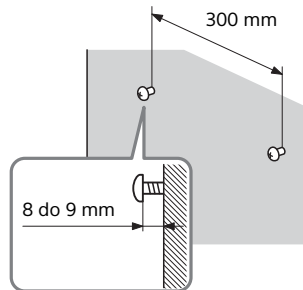
1 Przygotuj śruby (nie wchodzi w skład zestawu), które będą pasowały do otworów w tylnej ścianie głośnika Bar Speaker.



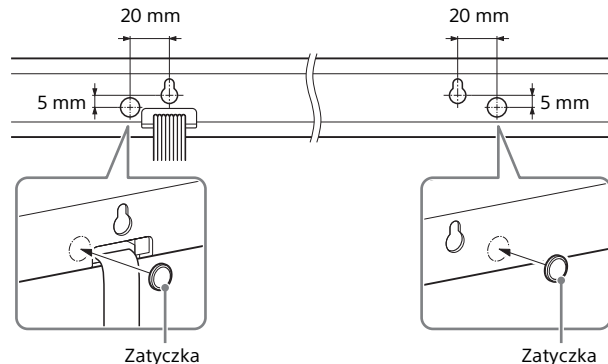
Otwór w tylnej ścianie głośnika Bar Speaker

2 Wkręć śruby w ścianę.

Śruby powinny wystawać ze ściany na 8 do 9 mm.

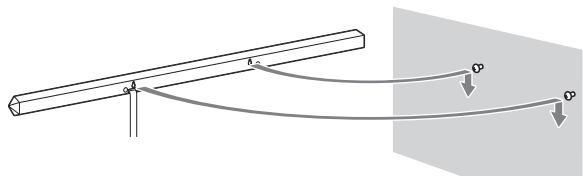


3 Zamocuj dostarczone zatyczki na tylnym panelu głośnika Bar Speaker.



4 Zawieś głośnik Bar Speaker na śrubach.

Wyrównaj otwory na tylnej ściance głośnika Bar Speaker ze śrubami, a następnie zawieś głośnik na 2 śrubach.



Corzystanie z funkcji Sterowanie przez HDMI

Włączenie funkcji Sterowanie przez HDMI i podłączenie urządzenia obsługującego funkcję Sterowanie przez HDMI za pomocą kabla HDMI powoduje, że obsługa jest łatwiejsza, dzięki dostępności poniższych funkcji.

Wyłączanie zestawu

Wyłączając telewizor za pomocą telewizyjnego pilota zdalnego sterowania, następuje automatyczne wyłączenie zestawu i podłączonych urządzeń.

Sterowanie opcjami audio zestawu

Włączenie zestawu podczas oglądania telewizji powoduje automatyczne odtwarzanie z głośników dźwięku oglądanego programu. Regulacja głośności telewizora powoduje regulację głośności zestawu.

Jeśli w momencie, gdy wyłączono telewizor ostatnim razem, dźwięk odtwarzany z głośników pochodził z głośników zestawu, w przypadku ponownego włączenia telewizora, zestaw zostanie włączony automatycznie, a dźwięk pochodzący z oglądanego programu będzie odtwarzany z głośników zestawu.

Audio Return Channel (ARC)

Jeśli telewizor obsługuje technologię Audio Return Channel (ARC), połączenie kablowe HDMI wysyła także cyfrowy sygnał audio z telewizora do zestawu. Aby telewizor odtwarzał dźwięk z zestawu, nie trzeba dodatkowo podłączać sygnału audio.

Odtwarzanie jednym przyciskiem

W przypadku włączenia urządzenia podłączonego do zestawu za pomocą kabla HDMI, podłączony telewizor zostanie włączony automatycznie, a sygnał wejściowy zestawu zostanie przełączony na odpowiednie wejście HDMI.

Uwagi

- Niektóre urządzenia mogą nie obsługiwać powyższych funkcji.
- W przypadku niektórych ustawień podłączonego urządzenia funkcja Sterowanie przez HDMI może nie działać prawidłowo. Należy zapoznać się z instrukcją obsługi danego urządzenia.

Korzystanie z funkcji „BRAVIA” Sync

Produkty obsługujące funkcję „BRAVIA” Sync umożliwiają korzystanie z oryginalnych funkcji Sony, które zostały wymienione poniżej.

Oszczędzanie energii

Jeśli do zestawu zostanie podłączony telewizor zgodny z funkcją „BRAVIA” Sync, zużycie energii zmniejszy się w trybie czuwania dzięki zatrzymaniu transmisji sygnału HDMI, kiedy telewizor będzie wyłączony.

Uwagi dotyczące połączeń HDMI

- Należy stosować kabel High Speed HDMI. Jeśli będzie używany standardowy kabel HDMI, obrazy o rozdzielczości 1080p, Deep Color lub 3D/4K mogą być wyświetlane nieprawidłowo.
- Należy stosować kabel z certyfikatem HDMI. Należy stosować kabel Sony High Speed HDMI z logo typu kabla.
- Nie zalecamy stosowania kabla z przejściówką HDMI-DVI.

- W przypadku słabej jakości obrazu lub braku dźwięku należy sprawdzić konfigurację urządzenia podłączonego za pomocą kabla HDMI.
- Sygnały audio (częstotliwość próbkowania, długość bitu itp.) przesyłane z gniazda HDMI mogą być tłumione przez podłączone urządzenie.
- W przypadku zmiany częstotliwości próbkowania lub kanałów sygnałów wyjściowych audio w podłączonym urządzeniu dźwięk może być przerywany.
- Jeśli podłączone urządzenie nie obsługuje technologii ochrony praw autorskich (HDCP), obraz i/lub dźwięk z gniazda HDMI OUT ARC(TV) mogą być zniekształcone lub nie będą odtwarzane. W takim przypadku należy sprawdzić specyfikację podłączonego urządzenia.
- Po wybraniu opcji „TV” jako źródła sygnału wejściowego zestawu, z gniazda HDMI OUT ARC(TV) będą odtwarzane sygnały wideo wybrane ostatnio dla jednego z gniazd HDMI IN.
- Zestaw obsługuje transmisję Deep Color, „x.v.Colour”, 3D oraz 4K.
- Aby oglądać obrazy 3D, należy podłączyć telewizor i urządzenia wideo obsługujące format 3D (odtwarzacz Blu-ray Disc, „PlayStation®3” itp.) do zestawu za pomocą kabli High Speed HDMI, założyć okulary 3D i rozpocząć odtwarzanie Blu-ray Disc 3D.
- Aby oglądać obrazy 4K, telewizor i odtwarzacze podłączone do zestawu muszą obsługiwać odtwarzanie obrazów 4K.

Wykrywanie i usuwanie usterek

Jeśli podczas użytkowania zestawu wystąpią problemy, przed przekazaniem go do serwisu należy skorzystać z poniższych informacji dotyczących usuwania usterek. Jeśli nie można usunąć problemu, należy skontaktować się z lokalnym przedstawicielem firmy Sony.

ZASILANIE

Brak zasilania.

- Sprawdź, czy przewód zasilania jest dobrze podłączony.

Zestaw jest wyłączany automatycznie.

- Działa funkcja „A. STBY”. Ustaw wartość funkcji „A. STBY” na „OFF” (patrz rozdział „Regulowanie ustawień” w instrukcji obsługi).

DŹWIĘK

Brak odtwarzania dźwięku z telewizora przez zestaw.

- Upewnij się, że źródło wejściowe zostało poprawnie wybrane. Należy wypróbować inne źródła wejściowe, kilkakrotnie naciskając przycisk INPUT (patrz rozdział „Słuchanie dźwięku” w instrukcji obsługi).
- Sprawdź podłączenie kabla HDMI, cyfrowego przewodu optycznego lub przewodu audio, który jest podłączony do zestawu i telewizora (patrz rozdział „Podłączanie” w instrukcji obsługi).
- Sprawdź, czy na wyświetlaczu na panelu przednim jako źródło wejściowe jest wyświetlane „TV”.
- Sprawdź wyjście audio telewizora.
- Upewnij się, że dźwięk z telewizora nie jest za cichy ani wyciszony.
- W przypadku podłączenia telewizora obsługującego technologię Audio Return Channel (ARC) za pomocą kabla HDMI upewnij się, że kabel jest podłączony do gniazda HDMI (ARC) telewizora.
- Jeśli telewizor nie obsługuje technologii Audio Return Channel (ARC), oprócz kabla HDMI należy także podłączyć cyfrowy przewód optyczny w celu odtworzenia dźwięku.

Odtwarzanie dźwięków przez głośniki zestawu i telewizora.

- Wyłącz dźwięk zestawu lub telewizora.

Opóźnienie dźwięku w stosunku do obrazu telewizyjnego.

- Ustaw opcję „SYNC” na „OFF”, jeśli ma ona ustawioną dowolną wartość od 1 do 4 (patrz rozdział „Regulowanie ustawień” w instrukcji obsługi).

Z subwoofera lub głośnika Bar Speaker nie wydobywa się dźwięk lub dźwięk jest bardzo cichy.

- Naciśnij przycisk VOL + i sprawdź poziom głośności (patrz rozdział „Części i elementy sterowania” w instrukcji obsługi).
- Na pilocie zdalnego sterowania naciśnij przycisk MUTE lub VOL +, aby anulować wyciszenie (patrz rozdział „Części i elementy sterowania” w instrukcji obsługi).

- Sprawdź, czy przewody głośnika Bar Speaker zostały bezpiecznie umieszczone w subwooferze.
- Upewnij się, że źródło wejściowe zostało poprawnie wybrane. Należy wypróbować inne źródła wejściowe, kilkakrotnie naciskając przycisk INPUT (patrz rozdział „Słuchanie dźwięku” w instrukcji obsługi).
- Sprawdź, czy źródło sygnału zostało wybrane prawidłowo.
- Sprawdź, czy wszystkie kable i przewody zestawu i podłączonych urządzeń są dobrze umieszczone w gniazdach.
- Na pilocie zdalnego sterowania naciśnij przycisk SW VOL +, aby zwiększyć poziom głośności subwoofera (patrz rozdział „Części i elementy sterowania” w instrukcji obsługi).
- Subwoofer służy do reprodukcji niskich tonów. W przypadku źródła dźwięku, który charakteryzuje się niewielką ilością tonów niskich (np. transmisja telewizyjna), dźwięk z subwoofera może być trudny do usłyszenia.

Dźwięk Dolby Digital lub wielokanałowy dźwięk DTS nie są odtwarzane.

- Sprawdź ustawienie dźwięku w formacie Dolby Digital lub DTS w odtwarzaczu Blu-ray Disc, odtwarzaczu DVD itp. podłączonym do zestawu.

Nie można uzyskać efektu dźwięku przestrzennego.

- W zależności od sygnału cyfrowego i ustawienia trybu SOUND MODE, przetwarzanie dźwięku przestrzennego może nie działać efektywnie. Odczucie efektu dźwięku przestrzennego zależy od programu lub płyty.
- Jeśli podłączysz odtwarzacz Blu-ray Disc lub odtwarzacz DVD kompatybilny z funkcją dźwięku przestrzennego, dźwięk przestrzenny zestawu może nie działać. W takim przypadku wyłącz funkcję dźwięku przestrzennego w podłączonym urządzeniu. Szczegółowe informacje na ten temat zawarto w instrukcji obsługi podłączonego urządzenia.

BLUETOOTH

Nie można utworzyć połączenia BLUETOOTH.

- Należy upewnić się, że wskaźnik BLUETOOTH świeci się na niebiesko (patrz rozdział „Słuchanie dźwięku z urządzeń BLUETOOTH” w instrukcji obsługi).

Stan zestawu	Stan wskaźnika
Podczas parowania BLUETOOTH	Niebieski, szybko miga.
Zestaw próbuje połączyć się z urządzeniem BLUETOOTH	Niebieski, miga.
Zestaw połączył się z urządzeniem BLUETOOTH	Niebieski, świeci.
Zestaw jest w trybie czuwania BLUETOOTH (kiedy zestaw jest wyłączony)	Niebieski, powoli miga.

- Upewnij się, że urządzenie BLUETOOTH, które ma zostać podłączone oraz funkcja BLUETOOTH są włączone.
- Umieść zestaw i urządzenie BLUETOOTH jak najbliżej siebie.
- Ponownie sparuj zestaw z urządzeniem BLUETOOTH.
 - W pierwszej kolejności może być konieczne anulowanie parowania z systemem przy użyciu urządzenia BLUETOOTH.

Nie można przeprowadzić parowania.

- Zbliź ten zestaw i urządzenie BLUETOOTH do siebie (patrz rozdział „Słuchanie dźwięku z urządzeń BLUETOOTH” w instrukcji obsługi).
- Upewnij się, że zestaw nie jest zakłócany przez sieć Wi-Fi, inne urządzenia bezprzewodowe pasma 2,4 GHz lub kuchenkę mikrofalową. Jeśli urządzenie generujące promieniowanie elektromagnetyczne znajduje się w pobliżu, odsuń je od zestawu.

Podłączenie BLUETOOTH zostało rozłączone.

Podłączone urządzenie nie odtwarza dźwięku.


- Umieść zestaw i urządzenie BLUETOOTH jak najbliżej siebie.
- Jeżeli w pobliżu używane jest urządzenie wytwarzające promieniowanie elektromagnetyczne, takie jak sieć Wi-Fi, inne urządzenia BLUETOOTH lub kuchenka mikrofalowa, odsuń od nich urządzenie.
- Usuń wszelkie przeszkody występujące pomiędzy urządzeniem a innym urządzeniem BLUETOOTH lub odsuń je.
- Zmień położenie połączonego urządzenia BLUETOOTH.
- Spróbuj zmienić pasmo częstotliwości sieci Wi-Fi w routerze Wi-Fi, komputerze itp. na 5 GHz.

Dźwięk nie jest zsynchronizowany z obrazem.

- Podczas oglądania filmów dźwięk może być nieznacznie opóźniony w stosunku do obrazu.

INNE

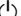

Pilot nie działa.

- Skieruj pilot zdalnego sterowania na czujnik zdalnego sterowania  zestawu (patrz rozdział „Części i elementy sterowania” w instrukcji obsługi).
- Usuń wszystkie przeszkody znajdujące się między pilotem i zestawem.
- Wymień baterie w pilocie na nowe, jeśli są wyczerpane.
- Sprawdź, czy naciskasz prawidłowy przycisk na pilocie.

Funkcja Sterowanie przez HDMI nie działa prawidłowo.

- Sprawdź połączenie HDMI.
- Ustaw w telewizorze funkcję Sterowanie przez HDMI.
- Upewnij się, że wszystkie podłączone urządzenia obsługują funkcję „BRAVIA” Sync.
- Sprawdź ustawienia funkcji Sterowanie przez HDMI dla podłączonego urządzenia. Zapoznaj się z instrukcją obsługi podłączonego urządzenia.
- Po podłączeniu/odłączeniu przewodu zasilania odczekaj co najmniej 15 sekund przed rozpoczęciem używania zestawu.
- Jeśli wyjście audio urządzenia wideo zostanie podłączone do zestawu przy użyciu innego kabla niż kabel HDMI, dźwięk może nie być odtwarzany ze względu na funkcję „BRAVIA” Sync. W takim przypadku ustaw opcję „CTRL” na „OFF” (patrz rozdział „Regulowanie ustawień” w instrukcji obsługi) lub podłącz wyjście audio bezpośrednio do telewizora zamiast do zestawu.

Na wyświetlaczu na przednim panelu pojawi się komunikat „PRTECT (protect)”.

- Naciśnij przycisk / , aby wyłączyć zestaw. Gdy komunikat „STBY” zniknie, odłącz przewód zasilania i sprawdź, czy nic nie blokuje otworów wentylacyjnych zestawu.

RESET

Jeśli zestaw nadal nie działa prawidłowo, zresetuj go w następujący sposób:

- 1 Naciśnij przycisk I/⏻, aby włączyć subwoofer.**
- 2 Naciśnij przycisk I/⏻, mając wciśnięte przyciski INPUT i VOL – na subwooferze.**

Zostanie wyświetlony komunikat „RESET” i zestaw zostanie zresetowany. W menu, SOUND MODE, itd. zostaną przywrócone ustawienia domyślne.

Dane techniczne

Głośnik Bar Speaker (SS-ST3)

Głośniki przedni L/przedni P

System głośnikowy

2-drożny system głośnikowy, typ: radiator pasywny

Głośnik

Głośnik niskotonowy: 30 mm × 100 mm (stożkowy)

Głośnik wysokotonowy: 14 mm typu kopułowego

Radiator pasywny: 30 mm × 100 mm (stożkowy)

Impedancja znamionowa

3 om

Głośnik centralny

System głośnikowy

2-drożny system głośnikowy, zawieszenie akustyczne

Głośnik

Głośnik niskotonowy: 30 mm × 100 mm (typ: stożkowy) × 2

Głośnik wysokotonowy: 14 mm typu kopułowego

Impedancja znamionowa

3 om

Parametry ogólne

Wymiary (około) (szerokość/wysokość/głębokość)

900 mm × 40 mm × 32,5 mm (bez standów)

900 mm × 42 mm × 30 mm (ze standami)

Ciężar (około)

0,9 kg (ze standami)

Subwoofer (SA-WST3)

Sekcja wzmacniacza

MOC WYJŚCIOWA (znamionowa)

Przedni L + przedni P: 15 W + 15 W (przy 3 omach, 1 kHz, 1 % THD)

MOC WYJŚCIOWA (referencyjna)

Głośnik przedni L/przedni P: 25 W × 2 (na kanał przy 3 omach, 1 kHz)

Głośnik centralny: 25 W × 2 (na kanał przy 3 omach, 1 kHz)

Subwoofer: 75 W × 2 (na kanał przy 4 omach, 100 Hz)

Wejścia

HDMI IN 1/2/3*

DIGITAL IN TV/OPT

ANALOG IN

* Te 3 gniazda są jednakowe. Można użyć dowolnego z nich.

Moc

HDMI OUT ARC(TV)

Sekcja głośnika

System głośnikowy

Subwoofer, Bass Reflex

Głośnik

100 mm × 150 mm (stożkowy) × 2

Impedancja znamionowa

4 om

Sekcja BLUETOOTH

System komunikacji

BLUETOOTH Specyfikacja, wersja 3.0

Moc

Specyfikacja BLUETOOTH, klasa zasilania 2

Maksymalny zasięg komunikacji

W zasięgu wzroku ok. 10 m¹⁾

Maksymalna liczba urządzeń do zarejestrowania

9 urządzeń

Pasmo częstotliwości

Pasmo 2,4 GHz (2,4000 GHz - 2,4835 GHz)

Metoda modulacji

FHSS (Freq Hopping Spread Spectrum)

Kompatybilne profile BLUETOOTH ²⁾

A2DP (Advanced Audio Distribution Profile)

AVRCP 1.3 (Audio Video Remote Control Profile)

Obsługiwane kodeki³⁾

SBC⁴⁾, AAC⁵⁾, aptX

- 1) Rzeczywisty zasięg zależy od takich czynników, jak przeszkody między urządzeniami, pola magnetyczne wokół kuchenki mikrofalowej, elektryczność statyczna, telefon bezprzewodowy, czułość odbioru, system operacyjny, oprogramowanie itp.
- 2) Profile standardu BLUETOOTH wskazują cel komunikacji BLUETOOTH między urządzeniami.
- 3) Codec: Format kompresji i konwersji sygnału audio
- 4) Subband Codec
- 5) Advanced Audio Coding

Parametry ogólne

Wymagania dotyczące zasilania

220 V – 240 V AC, 50 Hz/60 Hz

Zużycie energii

Włączony: 40 W

W trybie czuwania wyłączone są funkcje „Sterowanie przez HDMI” i tryb czuwania BLUETOOTH: 0,5 W lub mniej

Wymiary (około)

430 mm × 135 mm × 370,5 mm (szerokość/wysokość/głębokość)

Ciężar (około)

8,2 kg

Formaty dźwięku cyfrowego obsługiwane przez zestaw

Dolby Digital	DTS-HD High Resolution Audio*
Dolby TrueHD*	DTS-HD Low Bit Rate*
DTS	Linear PCM 2ch 48 kHz lub mniej
DTS 96/24	Linear PCM Maximum 7.1ch 192 kHz lub mniej*
DTS-HD Master Audio*	

* Wymienione formaty są dostępne tylko przy połączeniu HDMI.

Formaty wideo obsługiwane przez zestaw

Wejście/wyjście (HDMI Repeater block)

Plik	2D	3D		
		Ramka	Sąsiadująco (połowa)	Ponad/poniżej (góra/dół)
4096 × 2160p przy 23,98/24 Hz	○	-	-	-
3840 × 2160p przy 29,97/30 Hz	○	-	-	-
3840 × 2160p przy 25 Hz	○	-	-	-
3840 × 2160p przy 23,98/24 Hz	○	-	-	-
1920 × 1080p przy 59,94/60 Hz	○	-	○	○
1920 × 1080p przy 50 Hz	○	-	○	○
1920 × 1080p przy 29,97/30 Hz	○	○	○	○
1920 × 1080p przy 25 Hz	○	○	○	○
1920 × 1080p przy 23,98/24 Hz	○	○	○	○
1920 × 1080i przy 59,94/60 Hz	○	○	○	○
1920 × 1080i przy 50 Hz	○	○	○	○
1280 × 720p przy 59,94/60 Hz	○	○	○	○
1280 × 720p przy 50 Hz	○	○	○	○
1280 × 720p przy 29,97/30 Hz	○	○	○	○
1280 × 720p przy 23,98/24 Hz	○	○	○	○
720 × 480p przy 59,94/60 Hz	○	-	-	-
720 × 576p przy 50 Hz	○	-	-	-
640 × 480p przy 59,94/60 Hz	○	-	-	-

Dane techniczne oraz konstrukcja zestawu mogą ulec zmianie bez uprzedzenia.

Informacje na temat produktów przyjaznych dla środowiska

- Zużycie energii w trybie czuwania: 0,5 W lub mniej
- Ponad 85% wydajności mocy bloku wzmacniacza uzyskuje się dzięki w pełni cyfrowemu wzmacniaczowi, S-Master.

警告

切勿將本設備安裝在狹窄的空間內，如書櫃內。

為了降低發生火災的危險，請勿使用報紙、桌布、窗簾等物品蓋住設備的通風孔。

請勿將如點燃的蠟燭等明火源放置於設備上。

為了降低發生火災或觸電的危險，請勿讓本設備受到液體潑濺，也不要將如花瓶等裝滿液體的物體放置於本設備上。

只要本機的電源線仍連接在電源插座上，即使本機的電源已經關閉，但本機仍然未與交流電源斷開連接。

由於電源插頭是用來斷開本機與電源插座的連接，因此請將本機連接至便於插拔的交流電源插座。一旦發現本機有異常情況，請立即斷開電源插頭與交流電源插座的連接。

請勿讓電池或安裝電池的設備暴露在過熱的環境中，例如：陽光、火等。

限室內使用。

建議的電纜

您必須使用已適當屏蔽並接地的電纜和接頭，來連接主機電腦及/或周邊設備。

經型式認證合格之低功率射頻電機，非經許可，公司、商號或使用者均不得擅自變更頻率、加大功率或變更原設計之特性及功能。

低功率射頻電機之使用不得影響飛航安全及干擾合法通信；經發現有干擾現象時，應立即停用，並改善至無干擾時方得繼續使用。前項合法通信，指依電信法規定作業之無線電通信。低功率射頻電機須忍受合法通信或工業、科學及醫療用電波輻射性電機設備之干擾。

目錄

注意事項	4
BLUETOOTH無線技術	5
將主動式揚聲器系統安裝到牆上	6
使用HDMI控制功能	8
使用“BRAVIA” Sync功能	8
疑難排除	9
規格	11

注意事項

關於安全

- 若有任何固體或液體進入本系統，請拔下本系統的電源插頭，並經合格的專業人員檢查以後，方可繼續使用。
- 請勿攀爬主動式揚聲器系統或主動式重低音揚聲器，否則可能跌落受傷，或是損壞系統。
- 請勿將任何物體放置於系統上。
- 請勿將任何物體插入系統的孔中（中央孔道或後面的通風孔）。
- 由於系統在操作期間會震動，請將系統妥善放置，避免意外掉落。

關於電源

- 操作系統前，請先檢查操作電壓與當地電源供應相符。操作電壓如主動式揚聲器系統後方的銘牌所示。
- 如果您準備長時間不使用系統，務必中斷系統與牆壁電源插座的連接。若將交流電源線拔掉，請抓住插頭，切勿拉扯電源線。
- 為了安全起見，電源插頭的一個插腳會比另一個插腳寬，而且只能以一個方向插入牆壁電源插座。如您無法將插頭完全插入插座內，請洽詢您的經銷商。
- 僅能在合格的維修商店更換交流電源線。

關於熱量累積

本系統的熱度會在操作過程中累積，這並非故障。如果持續長時間以大音量使用本系統，系統的背部和底部的溫度會變得相當高。為了避免燙傷，請勿觸摸系統。

關於擺放

- 系統周圍需要足夠的空間才能加以散熱。將系統放置於架子上時，請在系統上方預留5 cm以上的空間，並在系統側邊預留5 cm以上的空間。系統後方的架子應維持開放狀態。若您將系統的背部面對牆壁，請在系統與牆壁之間預留10 cm以上的空間。
- 請將系統正面保持開放狀態。
- 請勿將系統放置於會散熱的裝置上。
- 請將系統擺放在通風良好的位置以防止熱量累積，並延長系統的壽命。
- 請勿將系統擺放於靠近熱源的地方，或者會受到陽光直曬、機械性撞擊或灰塵過多的地方。

- 請勿在系統後方放置任何物品，以免堵塞通風孔，造成故障。
- 若本系統與電視機、錄影機或磁帶卡座搭配使用，可能會產生雜訊，影響影像品質。在此情況下，請將系統設置在距離電視機、錄影機或磁帶卡座較遠處。
- 將本系統置於經特別處理（打蠟、塗油、拋光等）的表面時，請務必小心，否則可能會造成地板著色或變色。
- 請小心不要讓主動式揚聲器系統或主動式重低音揚聲器的邊緣受損。

關於搬移主動式重低音揚聲器

抬起主動式重低音揚聲器時，請勿將手放入狹縫之中。揚聲器驅動器可能會受損。抬起時，請從底部握住主動式重低音揚聲器。

關於操作

連接其他設備前，請務必關閉系統並拔掉電源插頭。

如果附近的電視螢幕上出現色彩不均勻

某些類型的電視機可能會出現色彩不均勻的情況。

如果出現色彩不均勻...

請關閉電視機，在15至30分鐘後再次開啟。

如果再次出現色彩不均勻...

將系統設置在距離電視機較遠處。

關於清潔

使用柔軟的乾布清潔系統。請勿使用任何類型的砂紙、拋光粉或溶液（如酒精、汽油等）。

如果對本系統有任何疑問或問題，請就近與Sony經銷商聯絡。

版權

本系統結合Dolby* Digital與DTS** Digital Surround System。

* Dolby Laboratories授權製造。

Dolby和雙D標誌是Dolby Laboratories的商標。

** 遵守以下授權和美國專利號碼製造：5,956,674、5,974,380、6,226,616、6,487,535、7,212,872、7,333,929、7,392,195、7,272,567以及其他已發出和正在申請中的美國和國際專利。DTS-HD、其

符號與DTS-HD及其符號是DTS, Inc.的註冊商標。
產品包含軟體。© DTS, Inc. 版權所有。

BLUETOOTH®字型商標和圖形商標均為Bluetooth SIG, Inc.所有, Sony Corporation對該商標的各項使用均已經授權。

本系統包含High-Definition Multimedia Interface (HDMI™)技術。
HDMI此名詞、HDMI High-Definition Multimedia Interface和HDMI標誌是HDMI Licensing LLC在美國和其他國家的商標或註冊商標。

“BRAVIA”標誌為Sony Corporation的商標。

“x.v.Colour”及“x.v.Colour”標誌是Sony Corporation的商標。

N字標示為NFC Forum, Inc.在美國和其他國家的商標或註冊商標。

Android為Google Inc.的商標。

© 2012 CSR plc和其分公司。

aptX®標記和aptX標誌為CSR plc或其分公司的商標, 可能已在一個或以上的管轄地進行註冊。

其他商標及商標名稱為其各自擁有者所有。

BLUETOOTH無線技術

支援的BLUETOOTH版本與設定檔

設定檔是指各種BLUETOOTH產品功能的標準。請查看“規格”(第11頁)以取得本系統支援的BLUETOOTH版本及設定檔。

註

- 若要使用BLUETOOTH功能, 要連接的BLUETOOTH裝置支援的設定檔必須與本系統支援的相同。即使裝置支援同一個設定檔, 功能可能會因BLUETOOTH裝置的規格而有所不同。
- 因為BLUETOOTH無線技術特性的關係, 在本系統播放音訊可能比在BLUETOOTH裝置更容易有延遲的情況。

有效通訊範圍

BLUETOOTH裝置必須在距離彼此約10公尺範圍內(距離之中無障礙物)才能使用。有效通訊範圍可能會因以下條件而更短。

- BLUETOOTH連線的裝置之間有人、金屬物、牆或其他障礙物
- 裝有無線區域網路的地點
- 在使用中的微波爐附近
- 有其他電磁波的地點

受到其他裝置影響

BLUETOOTH裝置與無線區域網路(IEEE 802.11b/g)皆使用同一個頻帶(2.4 GHz)。在有無線區域網路功能的裝置附近使用BLUETOOTH裝置, 可能會產生電磁波干擾, 導致資料傳輸變慢、出現雜訊或無法連線。

若發生此情況, 請嘗試以下解決辦法:

- 在距離無線區域網路設備至少10公尺處, 試著連接本系統與BLUETOOTH行動電話或BLUETOOTH裝置。
- 在10公尺範圍內使用BLUETOOTH裝置時, 關閉無線區域網路設備的電源。

對其他裝置的影響

本系統的無線電波廣播可能會干擾某些醫療裝置的運作。由於此種干擾可能會導致故障, 請務必在以下地點關閉本系統、BLUETOOTH行動電話與BLUETOOTH裝置的電源:

- 醫院、火車、飛機、加油站, 以及任何可能會出現易燃氣體的地方
- 自動門或火災警報器附近

註

- 本系統支援符合BLUETOOTH規格的安全性功能，以確保使用BLUETOOTH技術通訊時的安全性。但是，因設定內容與其他因素的關係，可能出現安全性不足的情況，因此，使用BLUETOOTH技術通訊時請務必小心。
- 使用BLUETOOTH技術通訊期間，若因資訊外洩導致損壞或其他損失，Sony概不負責。
- 即使BLUETOOTH裝置的設定檔與本系統相同，我們仍不保證可進行BLUETOOTH通訊。
- 與本系統連接的BLUETOOTH裝置必須符合Bluetooth SIG, Inc.指定的BLUETOOTH規格，並必須經過認證。但是，即使裝置符合BLUETOOTH規格，仍有可能因BLUETOOTH裝置的特性或規格而無法連線，或需要以其他方法控制、顯示或操作。
- 視連線至本系統的BLUETOOTH裝置、通訊環境或周遭條件而定，可能會出現雜訊或音訊中斷的情況。

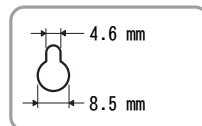
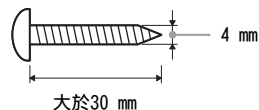
將主動式揚聲器系統安裝到牆上

您可將主動式揚聲器系統安裝到牆上。

註

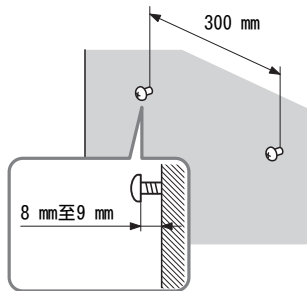
- 使用適合牆面材料和強度的螺絲。由於石膏板牆壁易碎，請將螺絲牢固釘入牆柱。將主動式揚聲器系統安裝在牆壁的垂直和水平加固區域上。
- 請務必將安裝工程分包給Sony經銷商或授權承包商，並在安裝期間特別注意安全事宜。
- 對若因安裝錯誤、牆壁不夠堅固、或螺絲安裝錯誤、自然災害等引起的事務或損壞，Sony概不負責。

1 準備適用於主動式揚聲器系統背面孔的螺絲（不提供）。

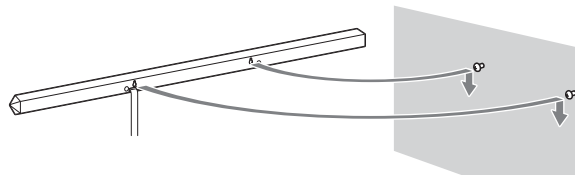


主動式揚聲器系統背面孔

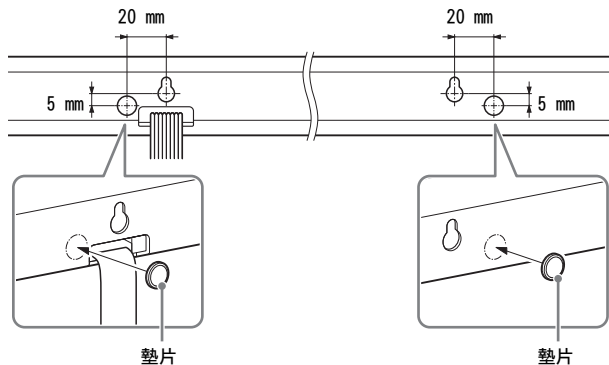
- 2** 將螺絲擰入牆壁。
螺絲須突出8 mm至9 mm。



- 4** 將主動式揚聲器系統掛到螺絲上。
將主動式揚聲器系統背面孔對齊螺絲，然後將主動式揚聲器系統掛到2個螺絲上。



- 3** 將提供的墊片貼於主動式揚聲器系統背面。



使用HDMI控制功能

藉由啟用HDMI控制功能，並透過HDMI電纜連接相容於HDMI控制功能的設備，即可簡化作業並具有下列功能。

系統關機

當您使用電視機遙控器上的電源按鈕關閉電視機時，會自動關閉系統及連接設備。

系統音訊控制

若您在觀賞電視機時開啟系統，則電視機的聲音會自動從系統的揚聲器輸出。當您調整電視機音量時，也會調整系統音量。
若您在前次關閉電視機時將電視機聲音從系統揚聲器輸出，則當您重新開啟電視機時系統會自動開啟，且電視機聲音會自動從系統揚聲器輸出。

Audio Return Channel (ARC)

若電視機相容於Audio Return Channel (ARC)技術，則連接HDMI電纜時也會將電視機的數位音訊號傳送至系統。若您要聆聽系統輸出的電視聲音，不必進行個別的音訊連線。

觸控播放

當您播放使用HDMI電纜與系統連接的設備時，會自動開啟連接的電視機，且系統的輸入訊號會切換為適當的HDMI輸入。

註

- 上述功能可能無法搭配某些設備操作。
- 視連接設備的設定而定，HDMI控制功能可能無法正確運作。請參考裝置的使用說明書。

使用“BRAVIA” Sync功能

下列原始Sony功能也能用來與相容於“BRAVIA” Sync的產品搭配使用。

省電

若已將“BRAVIA” Sync相容的電視機連接至本系統，則可藉由在關閉電視機時停止HDMI訊號傳輸來減少待機模式下的耗電量。

HDMI連線注意事項

- 使用High Speed HDMI電纜。若您使用標準HDMI電纜，1080p、Deep Color或3D/4K影像可能無法正常顯示。
- 使用HDMI授權的電纜。
使用具有電纜類型標誌的Sony High Speed HDMI電纜。
- 不建議您使用HDMI-DVI轉換電纜。
- 若透過HDMI電纜連接的設備影像畫質不佳或聲音未輸出，請檢查連接設備的設定。
- 連接設備可能會壓縮經由HDMI插孔傳輸的音訊訊號（取樣頻率、位元長度等）。
- 切換播放設備音訊輸出訊號的取樣頻率或聲道號時，聲音可能會發生中斷。
- 若連接裝置不相容於版權保護技術（HDCP），則來自HDMI OUT ARC(TV)插孔的影像及/或聲音可能會失真或無法輸出。在此情況下，請檢查連接設備的規格。
- 選擇“TV”作為系統輸入來源時，前次透過其中一個HDMI IN插孔選擇的視訊訊號會經由HDMI OUT ARC(TV)插孔輸出。
- 本系統支援Deep Color、“x.v.Colour”、3D和4K傳輸方式。
- 若要欣賞3D影像，請使用High Speed HDMI電纜將3D相容電視機及視訊設備（Blu-ray Disc播放器、“PlayStation®3”等）連接至本系統、戴上3D眼鏡，然後播放3D相容的Blu-ray Disc。
- 若要欣賞4K影像，則連接至本系統的電視機及播放器必須相容於4K影像。

疑難排除

在使用本系統時，如遇到以下任何疑難問題，在要求維修前先用疑難排除指南幫助解決故障。如果無法解決問題，請就近與Sony經銷商聯絡。

電源

電源未開啟。

→ 檢查交流電源線是否連接牢固。

系統會自動關閉。

→ “A. STBY”功能正在運作中。將“A. STBY”設定為“OFF”（請參考使用說明書中的“調整設定”）。

音效

系統無法輸出電視機的聲音。

→ 確認已正確選擇輸入來源。您可藉由按INPUT按鈕數次，來嘗試其他輸入來源（請參考使用說明書中的“聆聽音訊”）。

→ 檢查系統與電視機的HDMI電纜、數位光纖電纜或音訊電纜的連接（請參考使用說明書中的“連接”）。

→ 檢查前面板顯示幕上已顯示“TV”為輸入來源。

→ 檢查電視機聲音輸出。

→ 檢查以確認電視機音量非太小或已靜音。

→ 相容於Audio Return Channel (ARC)技術的電視機與HDMI電纜相連接時，請檢查以確認電纜已連接至電視機的HDMI (ARC)插孔。

→ 若電視機不相容於Audio Return Channel (ARC)技術，除了HDMI電纜外請另外連接數位光纖電纜，以輸出聲音。

系統與電視機會同時輸出聲音。

→ 關閉系統或電視機的聲音。

聲音延遲，跟不上電視機影像。

→ 若“SYNC”已設為1到4其中之一，請將其設為“OFF”。（請參考使用說明書中的“調整設定”）。

主動式揚聲器系統或主動式重低音揚聲器無法發出聲音，或聲音很小。

→ 按下VOL +，然後檢查音量（請參考使用說明書中的“部件和控制器”）。

→ 按下遙控器上的MUTING或VOL +，取消靜音功能（請參考使用說明書中的“部件和控制器”）。

→ 檢查已將主動式揚聲器系統的揚聲器導線牢固插入主動式重低音揚聲器。

→ 確認已正確選擇輸入來源。您可藉由按INPUT按鈕數次，來嘗試其他輸入來源（請參考使用說明書中的“聆聽音訊”）。

→ 檢查是否正確選擇輸入來源。

→ 檢查系統與連接設備的所有電纜與導線是否皆已完全插上。

→ 按下遙控器上的SW VOL +，調大主動式重低音揚聲器的音量（請參考使用說明書中的“部件和控制器”）。

→ 主動式重低音揚聲器可以產生低音。若輸入來源包含的低音聲音元件很少（也就是電視轉播），則可能會難以聽見主動式重低音揚聲器的聲音。

Dolby Digital或DTS多聲道音效未重現。

→ 檢查連接至系統的Blu-ray Disc播放器、DVD播放器等裝置的Dolby Digital或DTS格式的音訊設定。

不能產生環繞效果。

→ 視輸入訊號與SOUND MODE設定而定，環繞聲處理可能無法有效運作。環繞音效可能不明顯，視節目或光碟而定。

→ 若連接相容於環繞音效功能的Blu-ray Disc播放器或DVD播放器，系統的環繞音效可能無法運作。在此情況下，請關閉連接設備的環繞音效功能。詳細資訊，請參考連接設備提供的使用說明書。

BLUETOOTH

無法完成BLUETOOTH連線。

→ 請確認BLUETOOTH指示燈亮藍燈（請參考使用說明書中的“從BLUETOOTH裝置聆聽音訊”）。

系統狀態	指示燈狀態
BLUETOOTH配對時	快速閃爍藍燈。
系統正在嘗試與BLUETOOTH裝置連線	閃爍藍燈。
系統已與BLUETOOTH裝置建立連線	亮藍燈。
系統處於BLUETOOTH待機模式（系統關閉時）	緩慢閃爍藍燈。

→ 確認要連接的BLUETOOTH裝置已開啟，並已啟用BLUETOOTH功能。

→ 擺放本系統與BLUETOOTH裝置時，盡可能互相靠近。

→ 重新配對本系統與BLUETOOTH裝置。

- 您可能需要先使用BLUETOOTH裝置取消與本系統的配對。

無法配對。

- 將本系統與BLUETOOTH裝置相互靠近（請參考使用說明書中的“從BLUETOOTH裝置聆聽音訊”）。
- 確認本系統未接收來自Wi-Fi網路、其他2.4 GHz無線裝置或微波爐的干擾。如果附近有產生電磁幅射的裝置，請將該裝置移開本系統。

已切斷BLUETOOTH連接。

未輸出任何連接裝置的聲音。

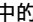
- 讓本系統與BLUETOOTH裝置互相靠近。
- 如果附近有產生電磁幅射的裝置，例如Wi-Fi網路、其他BLUETOOTH裝置或微波爐，請將該裝置移開本系統。
- 請將本系統與BLUETOOTH裝置之間的任何障礙物移開，或將本系統遠離障礙物。
- 重新擺放連接的BLUETOOTH裝置。
- 嘗試將Wi-Fi路由器、電腦等裝置的Wi-Fi頻率變更為5 GHz波段。

聲音未和影像同步。

- 觀賞電影時，您可能聽到影像聲音發生輕微延遲。

其他

遙控器不能用。

- 將遙控器指向系統上的遙控感應器（請參考使用說明書中的“部件和控制器”）。
- 移除遙控器和系統之間的所有障礙物。
- 若遙控器的電池電量不足，請更換兩顆新電池。
- 確認您在遙控器上按下正確按鈕。

HDMI控制功能無法正常運作。

- 檢查HDMI連線。
- 設定電視機上的HDMI控制功能。
- 確認連接的任何設備相容於“BRAVIA” Sync。
- 檢查連接設備上的HDMI控制設定。請參考連接設備提供的使用說明書。
- 若您連接或切斷交流電源線的連線，請等待15秒以上再操作系統。
- 若您不是使用HDMI電纜將視訊設備的音訊輸出連接至本系統，則由於“BRAVIA” Sync的原因可能不會輸出聲音。在此情況下，請將“CTRL”設定為“OFF”（請參考使用說明書中的“調整設定”），或直接將音訊輸出插孔連接至電視機，而非連接至本系統。

前面板顯示幕會出現“PRTECT（保護）”。

- 按下I/⏻按鈕，關閉系統。“STBY”消失後，切斷交流電源線連線，然後檢查系統的通風口沒有堵塞。

重設

若系統仍無法正確運作，請依以下方法重設系統：

- 1 按下I/⏻按鈕，開啟主動式重低音揚聲器。
- 2 同時按下主動式重低音揚聲器上的I/⏻按鈕、INPUT和VOL -。出現“RESET”並重設系統。選單、SOUND MODE等設定會恢復為預設設定。

規格

揚聲器系統 (SS-ST3)

左前置揚聲器/右前置揚聲器

揚聲器系統

雙向揚聲器系統，被動式喇叭型

揚聲器

低音揚聲器：30 mm×100 mm圓錐型

高音揚聲器：14 mm軟球型

被動式喇叭：30 mm×100 mm圓錐型

額定阻抗

3 ohm

中央揚聲器

揚聲器系統

雙向揚聲器系統、聲學避震型

揚聲器

低音揚聲器：30 mm×100 mm圓錐型×2

高音揚聲器：14 mm軟球型

額定阻抗

3 ohm

一般

尺寸 (約) (寬/高/深)

900 mm×40 mm×32.5 mm (不含支架)

900 mm×42 mm×30 mm (含支架)

總重量 (約)

0.9 kg (含支架)

主動式重低音揚聲器 (SA-WST3)

擴大機

功率輸出 (額定)

左前置揚聲器+右前置揚聲器：15 W + 15 W (3 ohm, 1 kHz, 1% THD)

功率輸出 (參考)

左前置揚聲器/右前置揚聲器：25 W×2 (每聲道3 ohm, 1 kHz)

中央揚聲器：25 W×2 (每聲道3 ohm, 1 kHz)

重低音揚聲器：75 W×2 (每聲道4 ohm, 100 Hz)

輸入

HDMI IN 1/2/3*

DIGITAL IN TV/OPT

ANALOG IN

* 這3個插孔為相同插孔。使用其中任何一個，結果都一樣。

輸出

HDMI OUT ARC(TV)

揚聲器部分

揚聲器系統

重低音揚聲器，低音反射

揚聲器

100 mm×150 mm圓錐型×2

額定阻抗

4 ohm

BLUETOOTH部分

通訊系統

BLUETOOTH規格第3.0版

輸出

BLUETOOTH規格電源等級2

最長的通訊範圍

視線範圍約10 m¹⁾

可登記的裝置數量上限

9個裝置

頻帶

2.4 GHz波段 (2.4000 GHz - 2.4835 GHz)

調變方式

FHSS (Freq Hopping Spread Spectrum)

相容的BLUETOOTH設定檔²⁾

A2DP (Advanced Audio Distribution Profile)

AVRCP 1.3 (Audio Video Remote Control Profile)

支援的轉碼器³⁾

SBC⁴⁾、AAC⁵⁾、aptX

1) 實際範圍視裝置之間的障礙物、微波爐附近的磁場、靜電、無線電話、接收穩定性、作業系統、應用軟體等因素而異。

2) BLUETOOTH標準規範指示裝置之間的BLUETOOTH通訊目的。

3) Codec: 音訊訊號壓縮與轉換格式

4) Subband Codec

5) Advanced Audio Coding

一般

電源需求

220 V – 240 V AC, 50 Hz/60 Hz

耗電量

開啟: 40 W

待機模式時 “HDMI 控制功能” 已關閉,
且BLUETOOTH待機模式已關閉: 0.5W以下

尺寸 (約)

430 mm×135 mm×370.5 mm (寬/高/深)

總重量 (約)

8.2 kg

本系統支援的數位音訊輸入模式

Dolby Digital	DTS-HD High Resolution Audio*
Dolby TrueHD*	DTS-HD Low Bit Rate*
DTS	Linear PCM 2ch 48 kHz以下
DTS 96/24	Linear PCM Maximum 7.1ch 192 kHz以下*
DTS-HD Master Audio*	

* 可以只用HDMI連線來輸入這些格式。

本系統支援的視訊格式

輸入/輸出 (HDMI轉發器)

檔案	2D	3D		
		畫面集合	並排 (左右)	上下 (頂部和 底部)
4096×2160p @ 23.98/24 Hz	○	-	-	-
3840×2160p @ 29.97/30 Hz	○	-	-	-
3840×2160p @ 25 Hz	○	-	-	-
3840×2160p @ 23.98/24 Hz	○	-	-	-
1920×1080p @ 59.94/60 Hz	○	-	○	○
1920×1080p @ 50 Hz	○	-	○	○
1920×1080p @ 29.97/30 Hz	○	○	○	○
1920×1080p @ 25 Hz	○	○	○	○
1920×1080p @ 23.98/24 Hz	○	○	○	○
1920×1080i @ 59.94/60 Hz	○	○	○	○
1920×1080i @ 50 Hz	○	○	○	○
1280×720p @ 59.94/60 Hz	○	○	○	○
1280×720p @ 50 Hz	○	○	○	○
1280×720p @ 29.97/30 Hz	○	○	○	○
1280×720p @ 23.98/24 Hz	○	○	○	○
720×480p @ 59.94/60 Hz	○	-	-	-
720×576p @ 50 Hz	○	-	-	-
640×480p @ 59.94/60 Hz	○	-	-	-

設計和規格如有變更，恕不另行通知。

關於環保型產品的資訊

- 待機耗電量：0.5 W以下
- 使用全數位擴大機S-Master，擴大機模塊可達到逾85%的節能效能。