

Cordless Stereo Headphone System

Operating Instructions

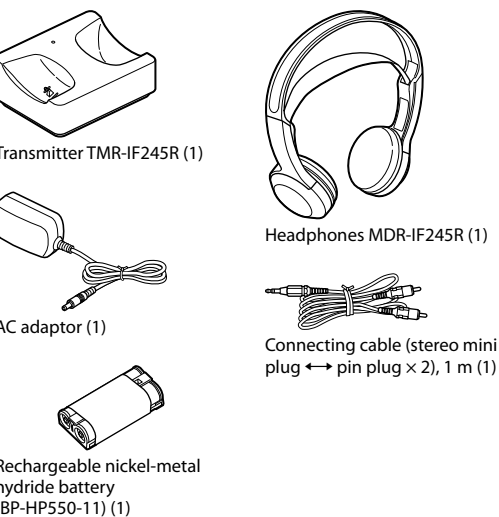


4-429-158-31(1)

©2013 Sony Corporation Printed in China

MDR-IF245RK

Checking the included items



Features

Thank you for purchasing the Sony MDR-IF245RK Cordless Stereo Headphone System. Before operating the unit, please read this manual thoroughly and retain it for future reference. Some features are:

- Lightweight headphones for long time listening comfort.
- Approx. 28 hours playback with supplied Ni-MH rechargeable battery. AAA alkaline batteries (not supplied) can also be used as alternative power.
- Battery is automatically charged by placing the headphones on the transmitter.
- 40 mm driver units for powerful, expressive sound.
- Muting function reduces noise disturbance.
- Self-adjusting headband mechanism eliminating the need for headband adjustment.
- Up to 8 meters (26 feet) reception range.

WARNING

To reduce the risk of fire or electric shock, do not expose this apparatus to rain or moisture.

To reduce the risk of fire or electric shock, do not expose this apparatus to dripping or splashing, and do not place objects filled with liquids, such as vases, on the apparatus.

Do not expose the batteries (battery pack or batteries installed) to excessive heat such as sunshine, fire or the like for a long time.

To avoid electrical shock, do not open the cabinet. Refer servicing to qualified personnel only.

Do not install the appliance in a confined space, such as a bookcase or built-in cabinet.

As the main plug of AC power adaptor is used to disconnect the AC power adaptor from the mains, connect it to an easily accessible AC outlet. Should you notice an abnormality in it, disconnect it from the AC outlet immediately.

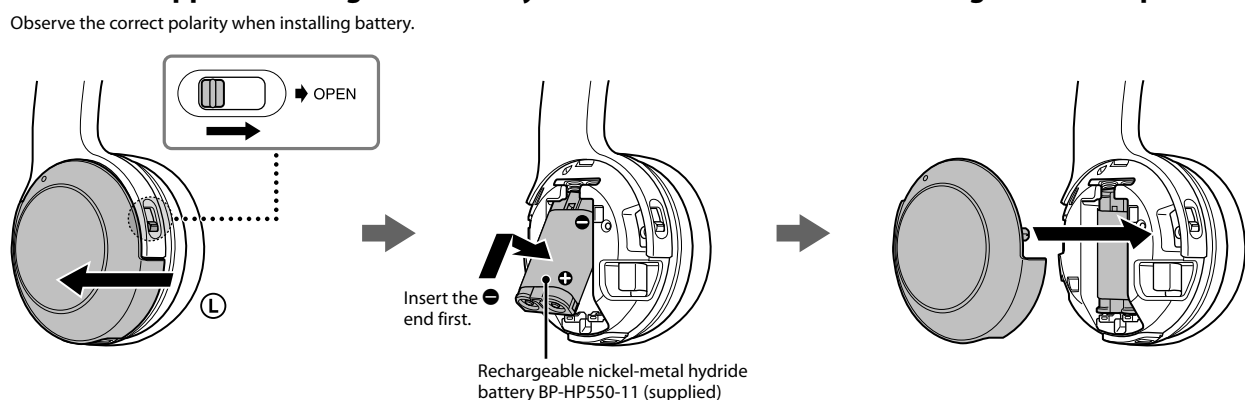
Excessive sound pressure from earphones and headphones can cause hearing loss.

AC adaptor is not disconnected from the mains as long as it is connected to the AC outlet, even if the unit itself has been turned off.

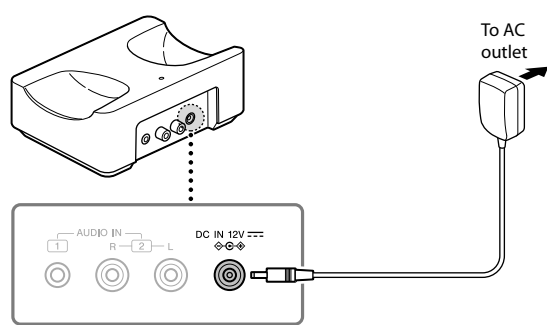
The nameplate is located on the bottom exterior. You are cautioned that any changes or modifications not expressly approved in this manual could void your authority to operate this equipment.

How to use

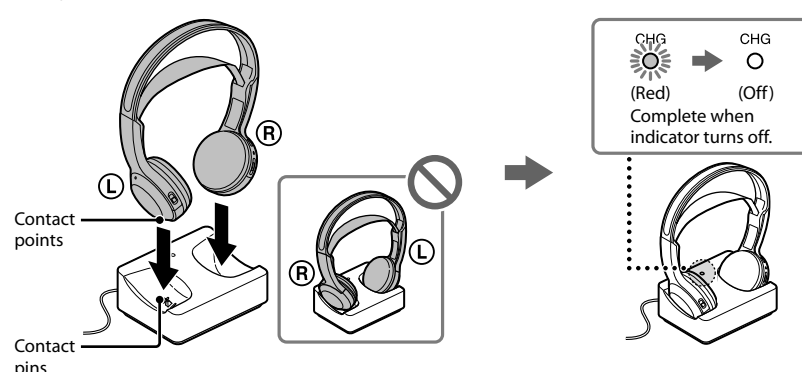
1 Insert the supplied rechargeable battery BP-HP550-11 into the left housing of the headphones.



2 Connect the AC adaptor.



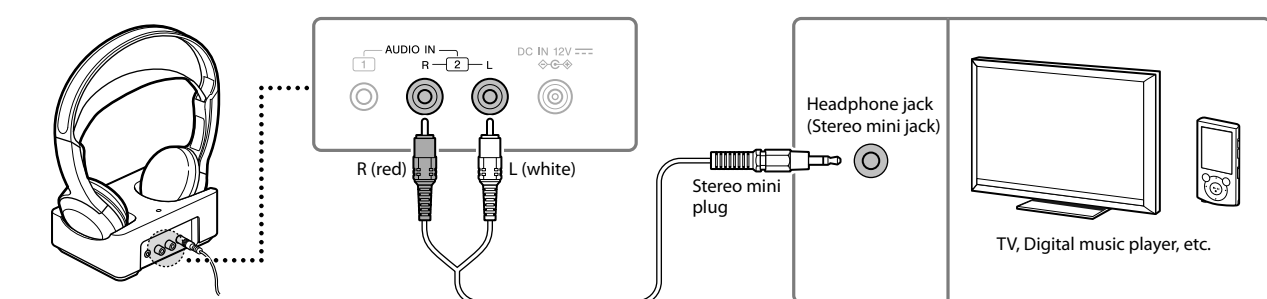
3 Charge the headphones.



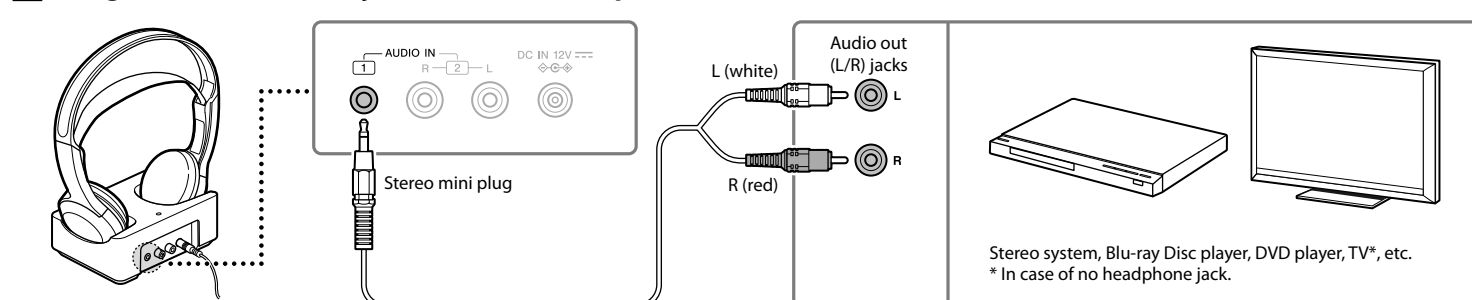
4 Connect the A/V component, following hookup A or B below.

Raise the volume level on the connected A/V component within the range where the sound is not distorted.

A Using the headphone jack of the A/V component



B Using the audio out (L/R) jacks of the A/V component

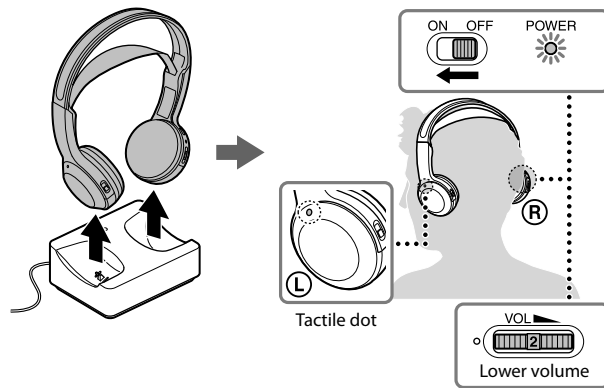


If you want to receive audio on the headphones while at the same time hearing audio from the television speakers, connect the transmitter to your Cable Box/Satellite Box rather than your television.

5 Wear the headphones.

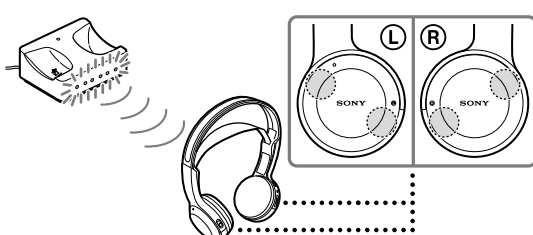
Before listening

To reduce the risk of hearing damage, first lower the volume.



About the infrared sensors

The infrared sensors of the headphones are located as illustrated below.



- Use the transmitter in a position facing the headphones.
- If the infrared sensors of one housing are covered by your hands (when adjusting the volume, etc.), the muting function may be activated to reduce noise caused by obstruction of the infrared rays. To restore sound, move nearer the transmitter, or orient the sensor of the uncovered housing toward the transmitter.

After use

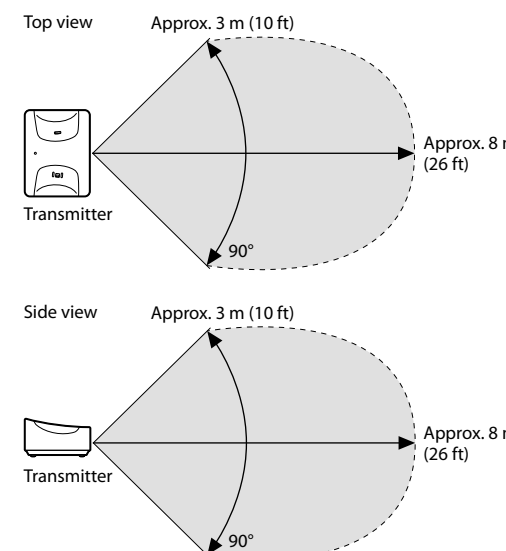
Take off the headphones, then turn off the power.

If no signal or low signal is input for about 10 minutes

When no signal is input for about 10 minutes, the transmitter turns off automatically*. The infrared emitters of the transmitter also turn off. The transmitter restarts after receiving an audio signal again. The transmitter may also turn off if low signal is input for about 10 minutes. In this case, raise the volume of the connected A/V component within the range where the sound is not distorted, then lower the volume of the headphones.
* If signal noise is output from the connected A/V component, the transmitter may not turn off, even when no audio signal is input.

Effective area of the transmitter

The illustration below shows the approximate area covered by the infrared rays emitted from the transmitter when you wear the headphones and face the transmitter.



- If you use the headphones at too great a distance from the transmitter, you may hear a hissing noise, and if there is an object between the headphones and the transmitter, sound may be interrupted. These phenomena are inherent in infrared ray communication and not a malfunction.
- Do not cover the infrared sensors with your hands or hair.
- When you use the headphones inside the area in the illustration above, the transmitter can be placed in front, behind or by the side of you. However, depending on circumstances, the area covered by the infrared rays may be smaller than illustrated.
- The noise you may hear through the headphones may vary depending on the transmitter position and room conditions. It is recommended that you place the transmitter in a location that produces the clearest sound.
- Do not use this system in areas exposed to direct sunlight or other strong light. The sound may be interrupted.
- Plasma displays may interfere with normal operation of this system.
- The brightness of the infrared emitters may not be uniform; however, this is not a malfunction.

About muting function

If the infrared rays are obstructed, or the headphones are used outside their effective range, noise will increase and sound will become hard to hear. In such a case, this function mutes any sound from the headphones to avoid potential ear damage as a result of noise. Sound is automatically restored when you move nearer the transmitter or remove the obstruction.

Tips for charging

Charge supplied battery first

The supplied rechargeable nickel-metal hydride battery is not charged from the first time you use it. Be sure to charge them before use.

About auto charge function

Placing the headphones on the transmitter automatically turns them off, then charging starts. This eliminates the need for turning on/off every time you wear and take off the headphones.

If CHG indicator is not lit

Check if the right and left headphones are rested on the transmitter correctly. Take off the headphones and place them on the transmitter again so that the headphones' contact points meet the transmitter's contact pins.

Charging and usage time

Depending on the remaining battery status, it takes approx. 30 minutes to 7 hours to recharge.

Approx. charging time	Approx. usage time ¹⁾
7 hours ²⁾	28 hours ³⁾

- 1) at 1 kHz, 0.1 mW + 0.1 mW output
- 2) hours required to fully charge an empty battery
- 3) Time may vary, depending on the temperature or conditions of use.

To recharge supplied battery after use

Place the headphones on the transmitter after use. The CHG indicator lights up, then charging starts. When charging is complete, there is no need to remove the headphones from the transmitter.

Remaining battery

To check the remaining battery charge of the headphones, turn on the headphones, and check the POWER indicator. The battery is still serviceable when the indicator lights up red. Charge the headphones if the POWER indicator turns off, dims, flashes, or the sound becomes distorted or noisy.

Notes

- Insert the AC adaptor plug firmly.
- Be sure to use the supplied AC adaptor. Using AC adaptors with different plug polarity or other characteristics can cause product failure.
- The battery capacity may decrease if the headphones are turned on and placed on the transmitter with the AC adaptor disconnected.
- The transmitter automatically turns off while charging the battery.
- This system is designed to charge only the supplied rechargeable battery BP-HP550-11 for safety. Note that other types of rechargeable battery cannot be charged with this system.
- If dry batteries are installed, they cannot be charged.
- Do not attempt to use the supplied rechargeable battery BP-HP550-11 for other components. It is for use with this system only.
- Charge in an environmental temperature of between 5 °C and 35 °C (between 41 °F and 95 °F).
- When the battery life reduces to half, this may be the end of battery lifetime. The supplied rechargeable battery BP-HP550-11 is not commercially available. You can order the battery from the store where you purchased this system, or at your nearest Sony dealer.



Using the headphones with separately-sold dry batteries

Commercially available (LR03 (size AAA)) dry batteries can also be used to power the headphones. Install two batteries in the same manner as described in step 1 of "How to use." When dry batteries are installed, the battery charge function is not activated.

Battery life

Battery	Approx. usage time ¹⁾
Sony alkaline battery LR03 (size AAA)	50 hours ²⁾

- 1) at 1 kHz, 0.1 mW + 0.1 mW output
- 2) Time may vary, depending on the temperature or conditions of use.

Note

Do not carry a dry battery together with coins or other metallic objects. It can generate heat if the positive and negative terminals of the battery are accidentally come into contact with metallic objects.

Tips for connection

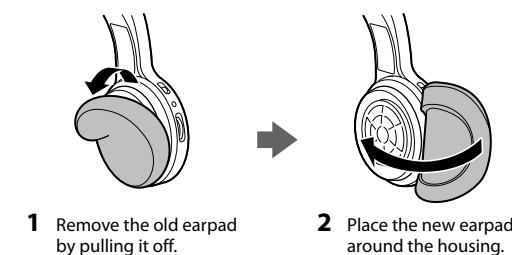
- Do not connect to the AUDIO IN 1 and AUDIO IN 2 jacks at the same time. If you connect two A/V components to both jacks at the same time, both of the audio signals may result in mixed output.
- When you connect the connecting cable directly to an earphone jack (monaural mini jack), the audio signal may not be output through the right channel.

Tips for volume setting

- If you connect the transmitter to the headphone jack of the A/V component, set the volume of the A/V component as high as possible but not so high that the audio signal becomes distorted.
- When watching videos, be careful not to raise the volume too high in quiet scenes. You may hurt your ears when a loud scene is played.

Replacing the earpads

The earpads are replaceable. If the earpads become dirty or worn out, replace them as illustrated below. The earpads are not commercially available. You can order replacements from the store where you purchased this system, or at your nearest Sony dealer.



Troubleshooting

If you run into any problems using this system, use the following checklist. Should any problem persist, consult your nearest Sony dealer.

No sound/Low sound

- Turn on the headphones.
- Check the connection of the A/V component or the AC adaptor.
- Check that the A/V component is turned on.
- If you connect the transmitter to an A/V component using the headphone jack, raise the volume level on the connected A/V component within the range where the sound is not distorted. Check that the infrared sensors of the headphones are not covered with your hands or hair.
- Check that there is no object between the transmitter and the headphones.
- Use the headphones near the transmitter, or change the position of the transmitter.
- Charge the supplied rechargeable battery, or replace dry batteries with new ones. If the POWER indicator is still off after charging, take the headphones to a Sony dealer.
- Raise the headphone volume.

Distorted or intermittent sound (sometimes with noise)

- Use the headphones near the transmitter, or change the position of the transmitter.
- If you connect the transmitter to an A/V component using the headphone jack, lower the volume level on the connected A/V component within the range where the sound is not distorted.
- Charge the supplied rechargeable battery, or replace dry batteries with new ones. If the POWER indicator is still off after charging, take the headphones to a Sony dealer.

Loud background noise

- Use the headphones near the transmitter, or change the position of the transmitter. (As you move away from the transmitter, more noise is likely to be heard. This is inherent in infrared ray communication and not a malfunction.)
- Check that there is no object between the transmitter and the headphones.
- Check that the infrared sensors on the headphones are not covered with your hands or hair.
- If you use the headphones by a window where the sunlight is too strong, draw the curtains/blinds to shut out the direct sunlight, or use the headphones away from the sunlight.
- If you connect the transmitter to an A/V component using the headphone jack, raise the volume level on the connected A/V component within the range where the sound is not distorted.
- Charge the supplied rechargeable battery, or replace dry batteries with new ones. If the POWER indicator is still off after charging, take the headphones to a Sony dealer.
- If you have another transmitter, check if more than one transmitters are used at the same time. Turn off other transmitter or move to a place outside the range of this transmitter.

The sound cuts off

- The transmitter turns off if no signal or low signal is input for 10 minutes. If you connect the transmitter to an A/V component using the headphone jack, raise the volume level on the connected A/V component within the range where the sound is not distorted.

Battery cannot be charged/CHG indicator flashes, or does not light up

- Check that the right/left of the headphones and transmitter correspond, and put the headphones on the transmitter correctly.
- Install the supplied rechargeable nickel-metal hydride battery. Dry batteries and rechargeable batteries other than the supplied cannot be charged.
- If the CHG indicator does not light up even though you put the headphones on the transmitter and wait for a while, it may be the end of battery lifetime. You can order the supplied rechargeable battery BP-HP550-11 from the store where you purchased this system, or at your nearest Sony dealer.

Precautions

- When this system is not to be used for a long period of time, disconnect the AC adaptor from the AC outlet holding the plug, and remove the battery from the headphones to avoid damage caused by battery leakage and subsequent corrosion
- Do not leave this system in a location subject to direct sunlight, heat or moisture.
- This system is guaranteed for use in the temperature range of 5 °C to 35 °C (41 °F to 95 °F).
- You may hear some noise when you disconnect the AC adaptor from the transmitter before taking off the headphones.
- Avoid exposure to temperature extremes, direct sunlight, moisture, sand, dust or mechanical shock.

Notes on headphones

To reduce the risk of hearing damage
Avoid using headphones at high volume. Hearing experts advise against continuous, loud and extended play. If you experience ringing in your ears, lower the volume or discontinue use.

Caring for others

Keep the volume at a moderate level. This will allow you to hear outside sounds and to be considerate to the people around you.

If you have any questions or problems concerning the system that are not covered in this manual, please consult your nearest Sony dealer.

Be sure to bring the headphones and the transmitter to the Sony dealer when requiring repair work.

Specifications

Transmitter (TMR-IF245R)

Modulation FM stereo
Carrier frequency Right 2.8 MHz
Left 2.3 MHz

Frequency response

10 Hz - 20,000 Hz

Audio inputs

Pin jacks (left/right)
Stereo mini jack

Power requirements

DC 12 V (from the supplied AC adaptor)

Dimensions

Approx. 140 mm x 60 mm x 105 mm (w/h/d)

Mass

Approx. 200 g

Headphones (MDR-IF245R)

Frequency response

10 Hz - 24,000 Hz

Power source

Supplied rechargeable nickel-metal hydride battery BP-HP550-11, or commercially available (LR03 (size AAA)) dry batteries

Mass

Approx. 200 g including battery

Included items

Transmitter TMR-IF245R

Headphones MDR-IF245R

AC adaptor (12 V) (1)

Connecting cable (stereo mini plug ↔ pin plug x 2), 1 m (1)

Rechargeable nickel-metal hydride battery BP-HP550-11 (550 mAh min) (1)

Operating Instructions (this manual) (1)

Design and specifications are subject to change without notice.