

# HT-DDW8500

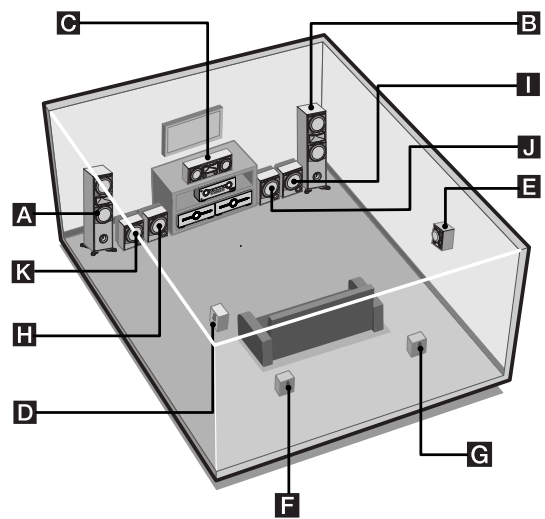
## Quick Setup Guide



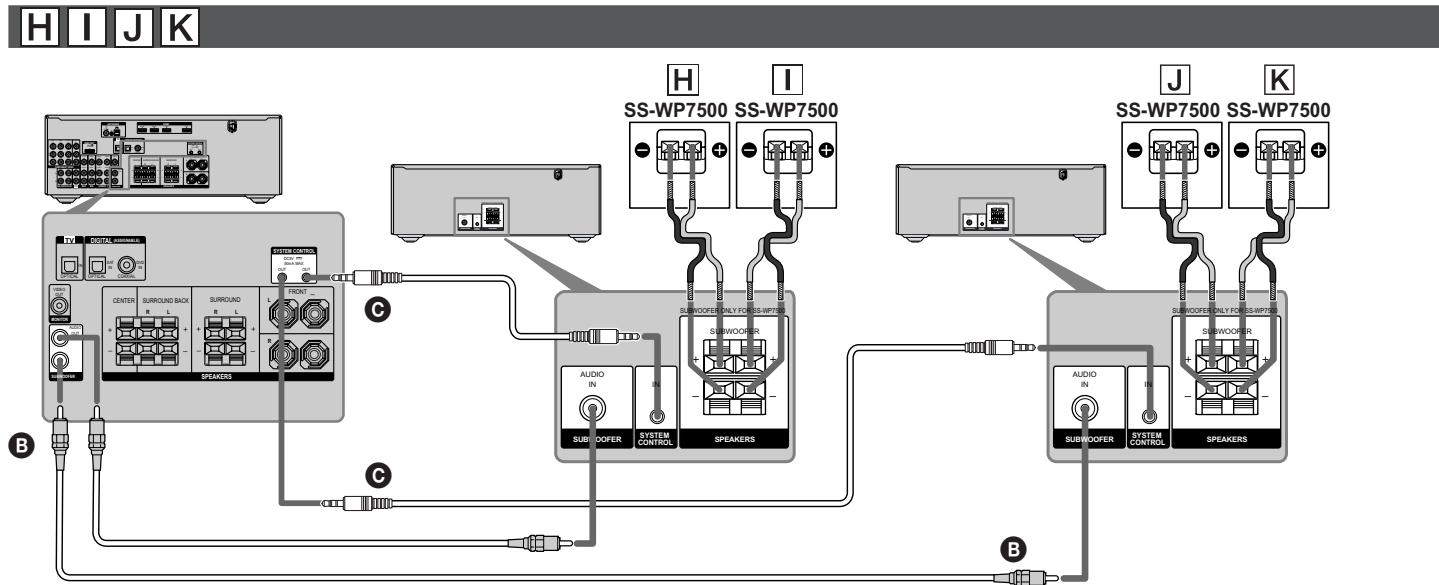
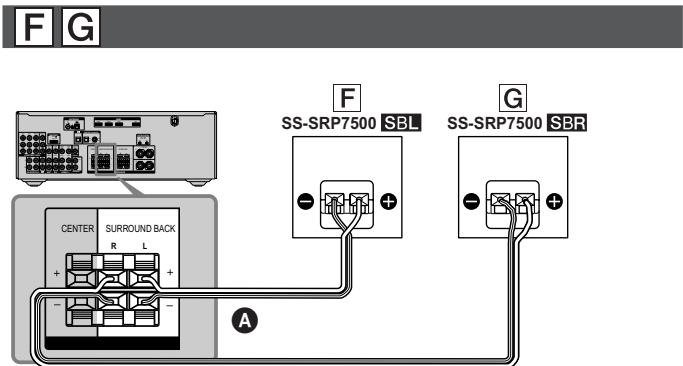
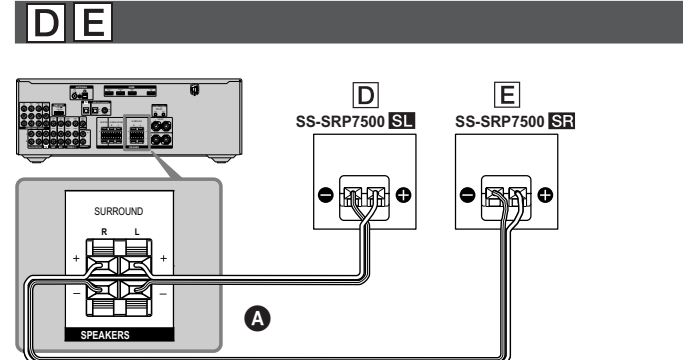
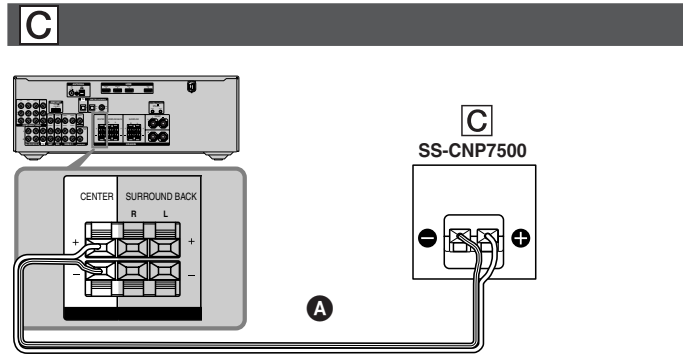
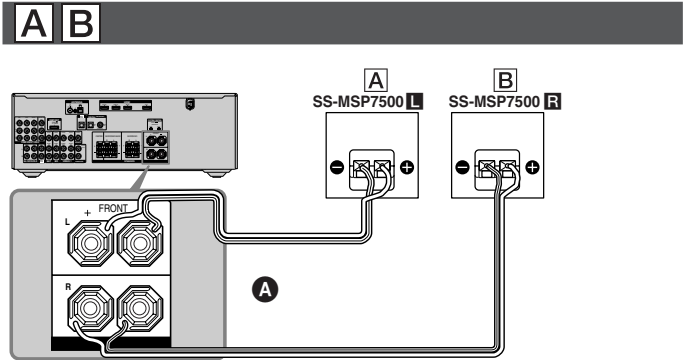
\* 4 1 4 1 4 9 2 1 1 \* (1)

Sony Corporation © 2009 Printed in Malaysia

### 1: Installing the speakers

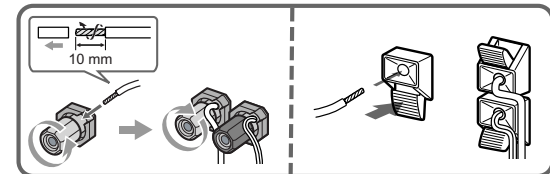


### 2: Connecting the speakers and subwoofers



**Cords used for connection (supplied)**

- A** Speaker cord
- B** Monaural audio cord
- C** System control cable



This Quick Setup Guide describes how to connect a DVD player, Blu-ray disc player, satellite tuner or set-top box, TV, speakers and subwoofers so that you can enjoy multi channel surround sound. Refer to the operating instructions supplied with the receiver for details.

The illustrations in the guide designate speakers as **A** through **K**.

- A** Front speaker (left)
- B** Front speaker (right)
- C** Center speaker
- D** Surround speaker (left)
- E** Surround speaker (right)
- F** Surround back speaker (left)
- G** Surround back speaker (right)
- H** Subwoofer
- I** Subwoofer
- J** Subwoofer
- K** Subwoofer

### 1: Installing the speakers

The illustration above shows an example of seven speakers and four subwoofers configuration. Refer to the operating instructions supplied with the receiver.

#### About speaker placement

The front speakers, center speaker and subwoofers are magnetically shielded to allow it to be installed near a TV set. However, as the surround and surround back speakers are not magnetically shielded, we recommend that you place them slightly further away from a TV set.

### 2: Connecting the speakers and subwoofers

The illustrations above show how to connect the speakers. Before you connect the speakers, check the speaker label on the rear panel of the speakers for the speaker type.

For details, refer to the operating instructions supplied with the receiver.

#### About speaker cords

- Use the long speaker cords to connect the surround and surround back speakers and the short speaker cords to connect the front speakers.
- Connect the cord attached with the "CENTER" label to the center speaker.
- Use the red and black speaker cords to connect the subwoofers.  
Red wire is positive (+) in polarity and should be connected to the positive (+) speaker terminal.  
Connect black wire to the negative (-) speaker terminal.

#### About speaker jacks

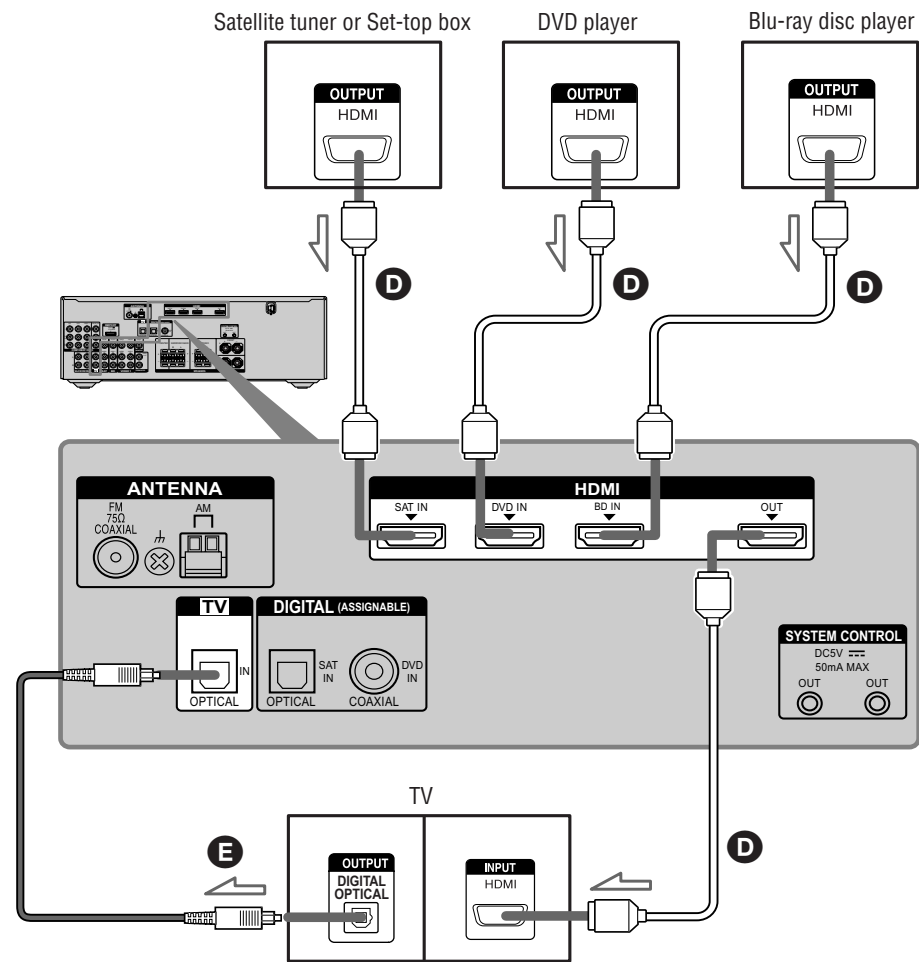
- Connect the ⊕ jack to the ⊕ jack of the receiver and connect the ⊖ jack to the ⊖ jack of the receiver.
- Refer to the illustration above for details of connecting speaker cords.

### 3: Connecting other components

#### Video components

##### Note

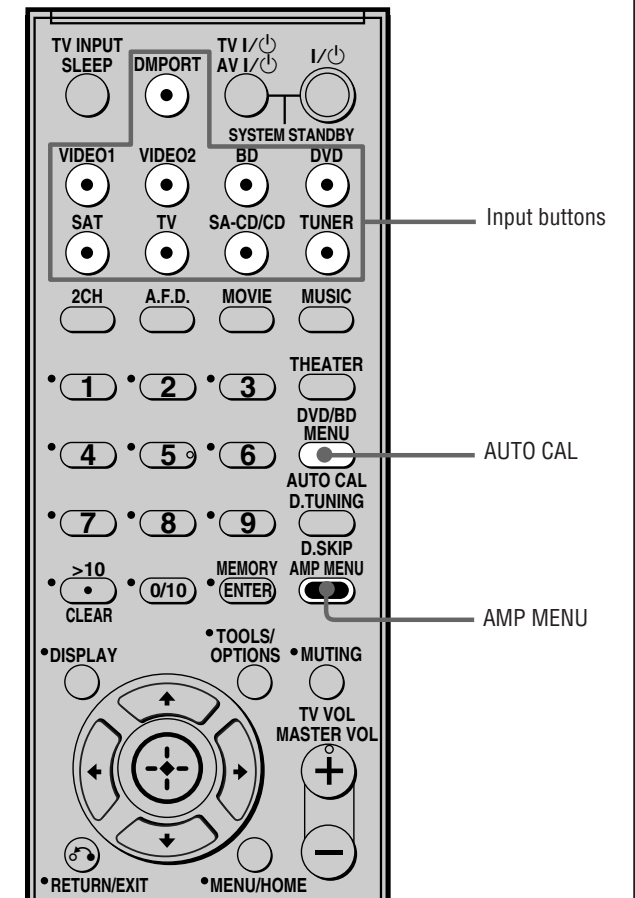
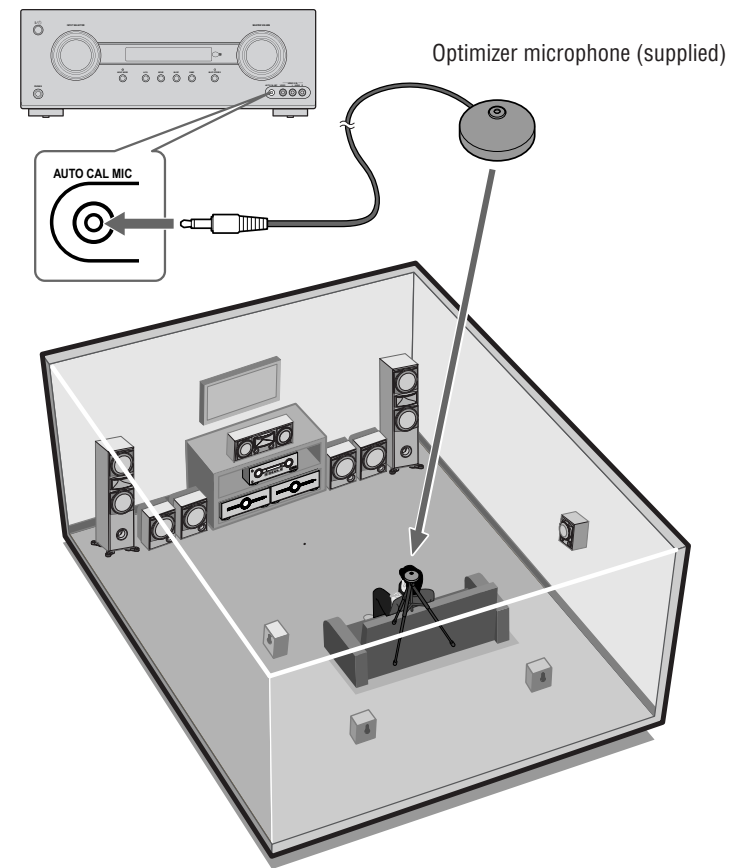
Be sure to change the factory setting of the DVD input button on the remote so that you can use the button to control your DVD player. For details, see "Changing button assignments" in the operating instructions of the receiver.



#### Cords used for connection (not supplied)

- D** HDMI cable
- E** Optical digital cord

### 5: Calibrating the speaker settings automatically



### 3: Connecting other components

This is an example of how to connect this receiver and your components. Refer to step 3 and 4 of "Getting started" of the operating instructions supplied with this receiver for details on other connections and other components.

### 4: Connect all power cords last

Connect the AC power cord to a wall outlet. Refer to "Connecting the AC power cord" in the operating instructions supplied with the receiver.

### 5: Calibrating the speaker settings automatically

You can set up the speakers to obtain the sound you want from all connected speakers automatically by using the Auto Calibration function. The Auto Calibration function will:

- Check the connection between each speaker and the receiver.
- Adjust the speaker level.
- Measure the distance of each speaker from your listening position.

#### 1 Connect the supplied optimizer microphone to the AUTO CAL MIC jack on the receiver.

#### 2 Set up the optimizer microphone.

Place the optimizer microphone at your listening position. You can also use a stool or tripod so that the optimizer microphone remains at the same height as your ears.

#### 3 Press AMP MENU, then press AUTO CAL.

The Auto Calibration function starts.

For details on the Auto Calibration function, refer to step 7 of "Getting started" of the operating instructions supplied with this receiver.

#### Notes

- If there are any obstacles in the path between the optimizer microphone and the speakers, the calibration cannot be performed correctly. Remove any obstacles from the measurement area to avoid measurement error.
- The Auto Calibration function cannot detect the subwoofer. Therefore, all subwoofer settings will be maintained.

### 6: Setting up other components

You should set up each component so that the sound is output from the speakers correctly when you playback a connected component. Refer to the operating instructions supplied with each component.

#### Note

If no digital signal is input through the COAXIAL or OPTICAL jack on the receiver, "NO INPUT" appears on the display. This is not a malfunction.