

Precautions

- Choose the mounting location carefully so that the unit will not interfere with the normal driving functions of the driver.
- Avoid installing the unit where it would be subject to high temperatures, such as from direct sunlight or hot air from the heater, or where it would be subject to dust, dirt or excessive vibration.
- Use only the supplied mounting hardware for a safe and secure installation.

Mounting angle adjustment

Adjust the mounting angle to less than 20°.

How to Detach and Attach the Front Panel

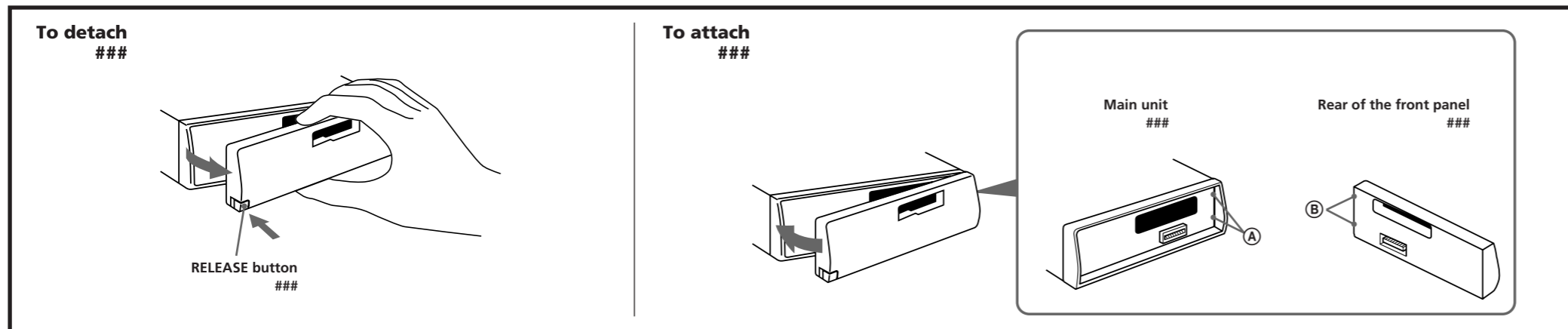
Be sure to detach the front panel before you start installing the unit.

To detach

Press the RELEASE button to open up the front panel, and pull it out.

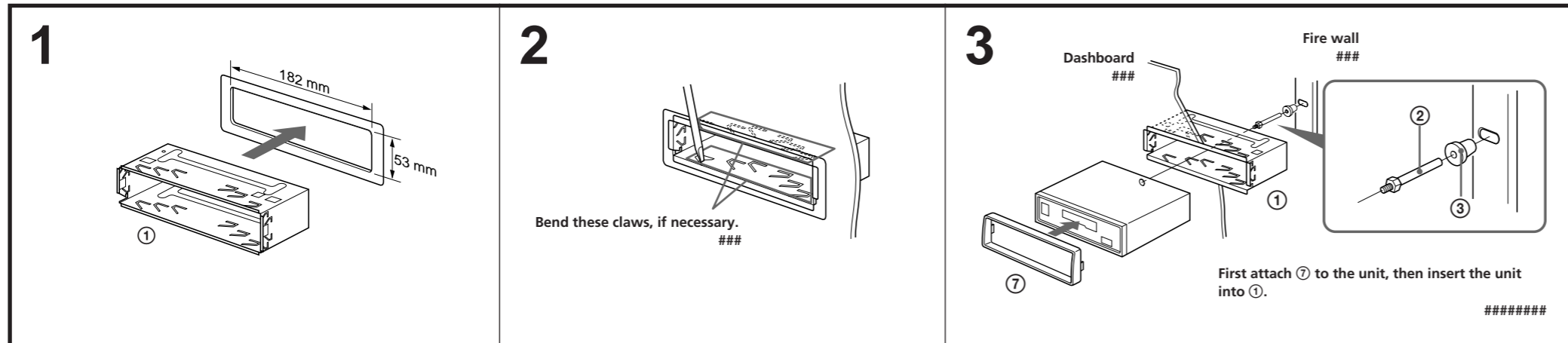
To attach

Align the parts ④ and ⑤, and push the front panel until it clicks.



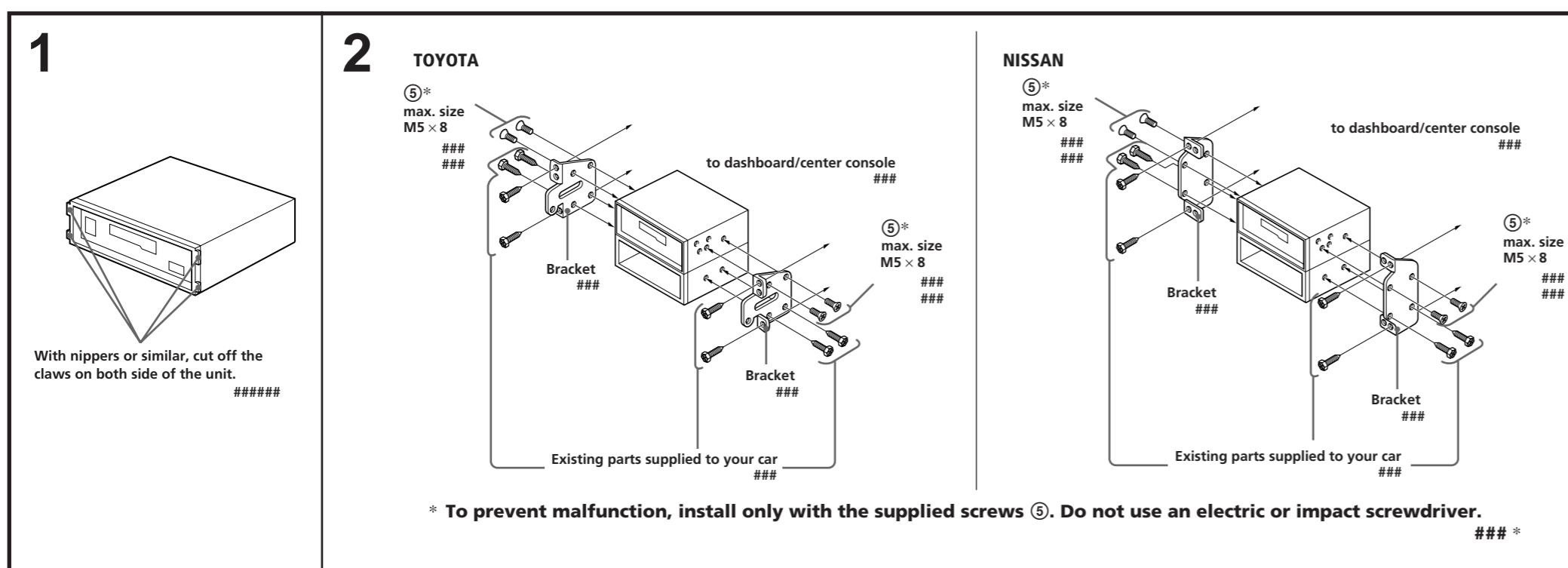
Mounting Example

Installation in the dashboard



Mounting the Unit in a Japanese Car

You may not be able to install this unit in some makes of Japanese cars. In such a case, consult your Sony dealer.



###

###

###

###

###

###

###

###

*

FM/MW/SW Cassette Car Stereo

Installation/Connections

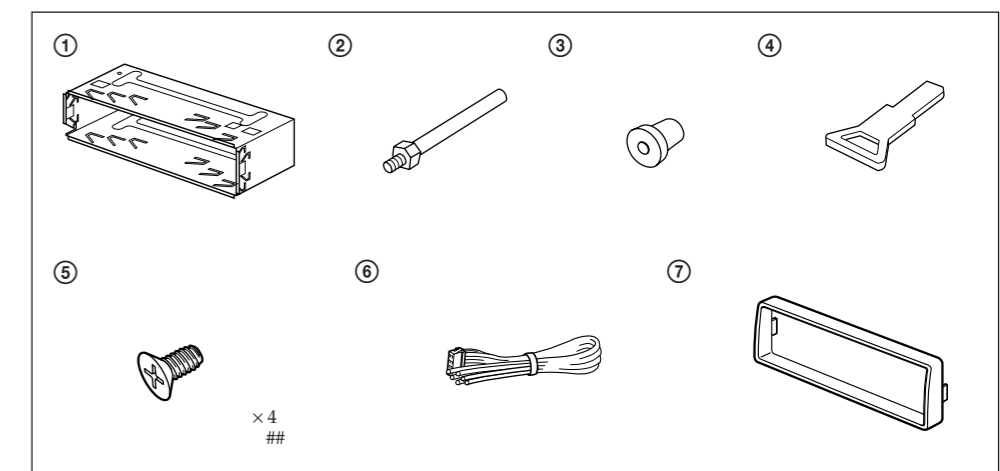
###

XR-1804

Sony Corporation ©1998 Printed in Japan

Parts for Installation and Connections

The numbers in the list are keyed to those in the instructions.

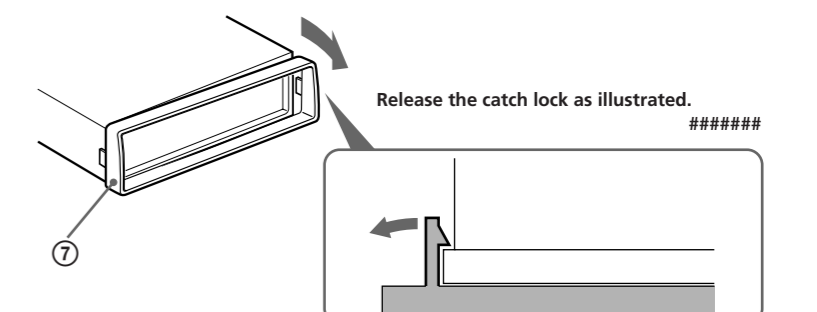


The release key ④ is used for dismantling the unit. See the operating instructions manual for details.

Cautions

- Cautionary notice for handling the bracket ①. Handle the bracket carefully to avoid injuring your fingers.
- Remove the protection collar ⑦ before installing.

#####



Connections/###

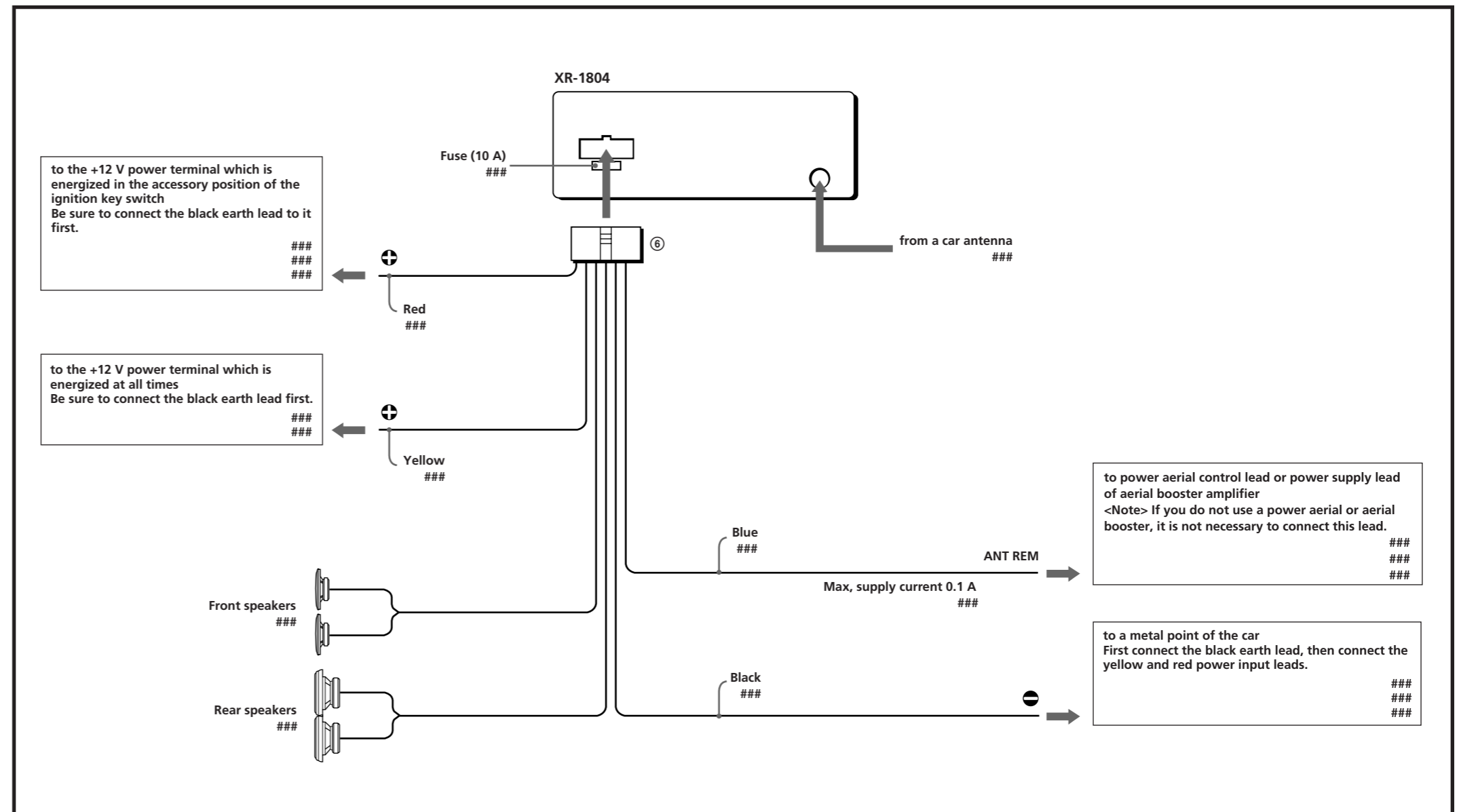
Caution

- This unit is designed for negative ground 12 V DC operation only.
- Before making connections, disconnect the ground terminal of the car battery to avoid short circuits.
- Connect the **yellow** and **red** power input leads only after all other leads have been connected.
- Be sure to connect the red power input lead to the positive 12 V power terminal which is energized when the ignition key is in the accessory position.
- **Run all ground wires to a common ground point.**

###

###

Connections Example/###

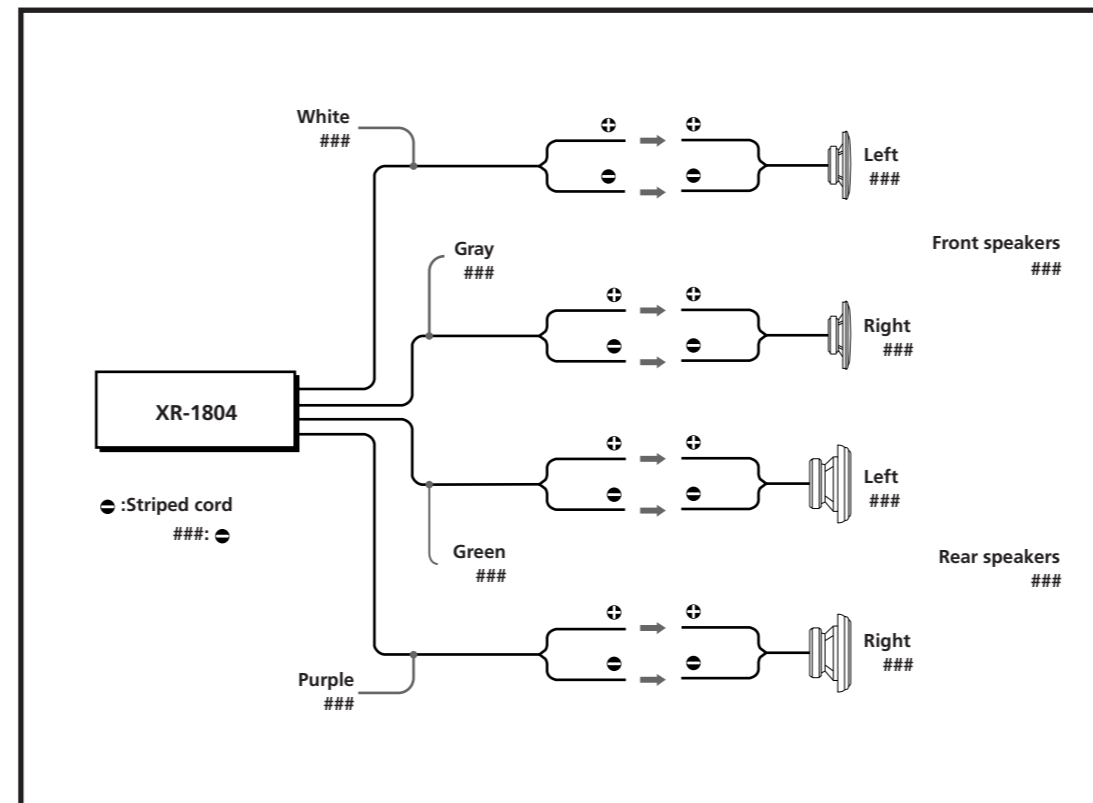


Notes on the control leads

- The power antenna control lead (blue) supplies 12V DC when you turn on the unit.
- A power antenna without relay box cannot be used with this unit.

###

Speaker Connections/###



Notes on speaker connection

- Use speakers with an impedance of 4 to 8 ohms, and with adequate power handling capacities. Otherwise, the speakers may be damaged.
- Do not connect the terminals of the speaker system to the car chassis, and do not connect the terminals of the right speaker with those of the left speaker.
- Do not connect the speakers in parallel.
- Do not connect any active speakers (with built-in amplifiers) to the speaker terminals of the unit. Doing so may damage the active speakers. There fore, be sure to connect passive speakers to these terminals.

###

Connection Diagram/###

