

ツチ・ア、ス・q

Radio Cassette Player

ゼア@サ。ウ ム

Operating Instructions (reverse side)

WALKMAN 外ハイクナ

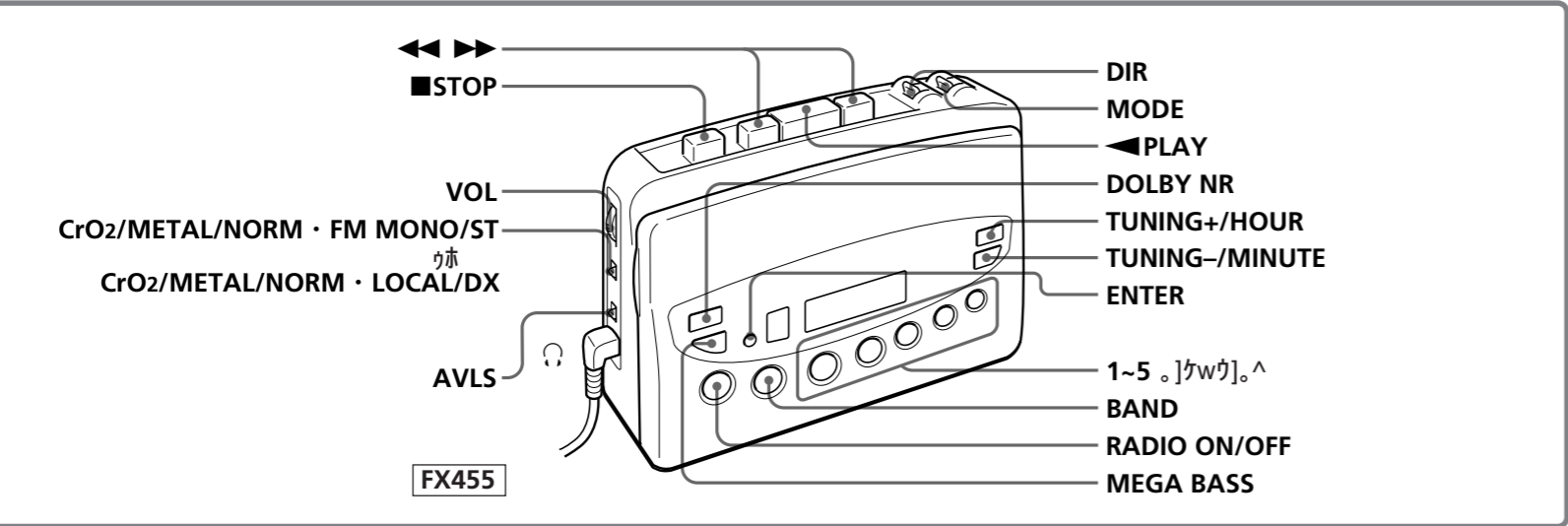
WALKMAN is a registered trademark of Sony Corporation.

WM-FX455/FX453/FX451

©1998 by Sony Corporation Printed in Malaysia

||

ウ。マ 茗コらずm



ウ]かwヨノトチ

1 オ ENTER-、pヨノM、外チヅコリ-{-



2 オ U HOUR ヅM MINUTE。M士マアA苜10ヤ {テ{Iチ、コ]かwヨノカ。-



3 オ ENTER-ヨトチカ)ウ、uア@-



イ、
・サ。ウ ムkマ・ウエヨノカ。ヤ- 24、pヨノサ-
いムヤマア-マエヨク。Mイ義ノトチヤ- 12、pヨノサ-

・弊 コワw・TM IキNニカ

トオア

- ・ヤ-イセ、 aヨMクサ。Mス、JnアN・弊 オBカハ
- ・キ }イ。NアMイヨサセア@セ ルイス ノ。Mス、ナマ・サYカワセ TM ヲセ ヲo・iy塞 苜o・冢qニヤG。M苜b、@iマア-マフルOハIキコ-イB苜路ノ。MヨSアキ イク ノ。MサYカワセ TMヲセ ヲカカ]アオウ、j、j、iy梨ヤアMタリ-苜苜・iy梨ノ・A苜MタIコウ X、MクウSアO、p、ノサネ-アマ・ホサセ
- ・ヤ-イセ、 qカサ。Mアオqカキスノ、dクU、Jnノ }・サセ

IキN

- ・、JnアNヲセ TMヲセ ヲカカ]アオウ、j・ナ、OPMヨサリトウ、Jnノst a、N、jノカq苜aノホI ノカ。ア苜a苜ヤナ・-苜Pキイエユキ苜ヲサ MスミユアCノカq苜サネ-アマ・ホサセ
- ・アノカq苜Oオ beAキ ヲ。Mイマアッ候イェハ/EコfnオイキEトUイオAヨPウ コ、H-

カqキエコワw・TM IキNニカ

- ・h-オ-
- ヲM例
- ・

トオア

- ・カネイマ・ホアツ コ- 緋ヤクキセA-セケ。]・シタHe ヲイム。^
- ・ツカノ- 緋ヤクキセA-セケヨノ。M、JnI、クqス。M苜Eanノ イ、タY-
- ・、Jnノケ ズカq苜・Rクq-
- ・苜ヒヤdカq苜Eコ。N。MXTオO・ヲ苜オ ェ・サ。ウ ムkマ・ウI、ノ、J-

IキN

- ・I チ、jイマ・ホハイクナ・ヨノ。MアNクq苜イ X、M・Hイセq苜EノコノホIGサクウヤイキIア-

コウテ サ。ウ ム

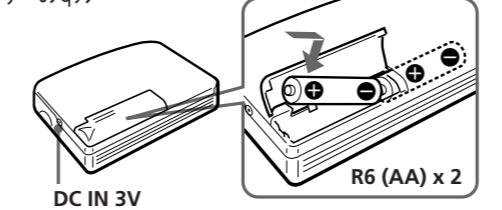
- ・サ。ウ ム-wケ WM-FX455、MWM-FX453ヨM WM-FX451-カ]カ]セI苜e、M・@苜ヒヤdハイクナ・エコヤケケ-サ。ウ ム、ノ、ウ トオ X-イマヨp。M。アカセ _ FX455。イ-

ケwイセアケ]

- ・タ器N苜BイO、ホウケ _ルEコヲa、随材。、蓋 ヤコITイヨ、コ-
 - ・スミ、JnノサYカワセ TMヲセ sユイ カ苜・サセ W、Mヨo・iy爲アオ 莎Qオ U、Mヨ Oカq苜-
 - ・-、Fi ノカ、st スヨ M、Jnノイマ・ホWケL 90、外チコマア-
 - ・シマヲ。ケwシ X、外チ-
 - ・イMシ苜サHe ノ。Mイマ・ホル、カハ コセツエコキLタ 羌ノヤ-、Jnノホ-sコ Nioコ 苜オ}トケツ-
- 苜ケ Aエコハイクナ・苜ノ ヲドノホトノ。MスミIニ PSonyクq苜P-EチPイト-

キヌウニ

ウ]カq苜

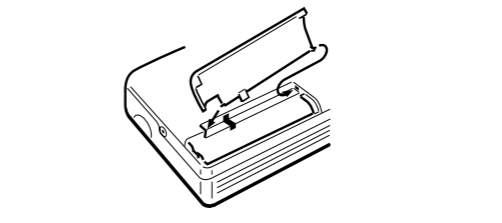


ケq苜ケリノR。]ヲ p、pヨノシ。^	(EIAJ *)	
FX455/FX453	Sony ニPカ LR6 (SG)	Sony R6P (SR)
	22	7
ヲヤコ	33	13

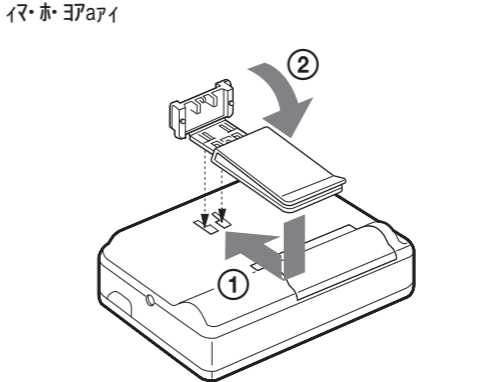
FX451	Sony ニPカ LR6 (SG)	Sony R6P (SR)
	24	7.5
ヲヤコ	33	13

* I q苜ネ ホEIAJ シミ苜、]Electronic Industries Association of Japan、^。]イマ・ホ Sony HF イチコマア、^

- イ、
- ・キ 罕ウ。アE、イヨノ。MスミNイ箇ケq苜・TMウ。ア オア_苜。MヨメクOセミアノヨ ー
- ・ケq苜ケリノR・iy狼Yカ。M・ム・サセ ーアア。ip苜ケw-
- ・ヤケFイセフホカノ燐Mヨリトイマ・ホCノカq苜ケ-
- ・苜ケq苜ケイアシ、U、M苜苜マケム・ワアNイ電コ



- イマ・ホ ウ。ケqキス
- ・苜ヌコカqキス、JアNAC-E30HG・緋ヤクキセA-セケ。]・シタHe ヲイム。^ウシ DC IN 3V I、o、f-I、タYキ・カハpケマケム・ワ-
- ・、JアPア-マエコ AC-E30HG ヲWヨ讀ノ苜P-苜苜カRヨノMシ苜ヒヤd・サヲケq苜ノウMI、タYアホイ-



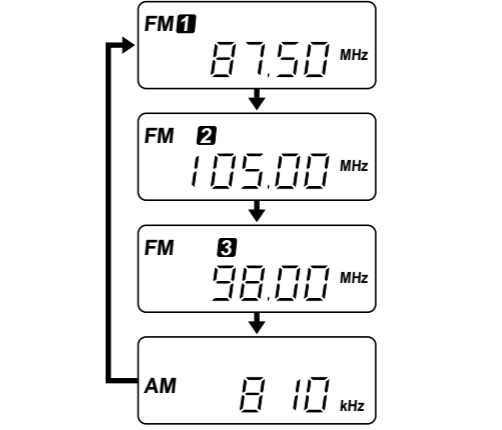
キ マ・ホYカワセ TMヲセ ノ
アノ苜。アL、iyミアEノカq苜・EトU、M。アR、iyミアEノカq苜・k苜I-

ヲヤコ

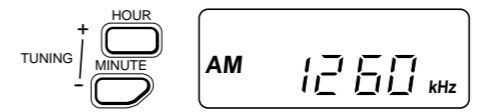
1 オ RADIO ON/OFF-



2 オ BANDノ ヲケサシイヤq。]FM1、MFM2、MFM3ノホ AM、^、iCオ @ヲ苜苜マ苜罕ヲ ー



3 オ TUNING。ヲノ。ミスヨケケメサノケq-x-



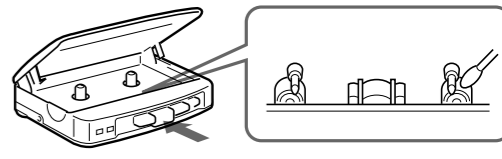
オ RADIO ON / OFF-
アヨウEユノX
苜ト3イEユ、オ TUNING。ヲノ。ミ、MサWイユヅコア苜、ニトケ 苜Z、MアIヤカ]カ。M苜ヤイせq-x苜Zコ-ルア、ノ I y-

ヤGサルアニー

- ユオカqスノ、J、j-
- ・AVLS ヲム、_ LIMIT-
- 苜ノオ、JレヨwヲホオLfn
- ・ユSTI、Jイ箇 R6 (AA) ケq苜-
- ・苜piGケq苜ケq、O、jイヤ。Mスミア オムケウEコq苜-

苜罕ウ、JユSTIコハオ
・キ ト、@ヲイマ・ホサセ ホサセ wi Xケq苜ノ mi ノカヨノ。M・iy候罕ウ、JユSTIコハオ苜ケwノ]ケq-x、JツサノSTIユ-X-苜boノイマ。ip、U、Mイ Xケq苜。M苜・ヨナ苜ヨノ E-オM苜Zケケq苜ヲA苜・Iカ)・サセ

ケwノ]ケq-xヨM・リヨヨノカ、アノQイ M苜A苜ケ]ケmヨイマ・ホサセ
マアサシヤ 雜q苜
・コマYナヲ、F-ホルヤ コセツホ-sコ コキLタ蒸アイMシ秀マタYケMコマアケB苜紹 ー



- ・IMシヤYカワセ TMヲセ 。タY-

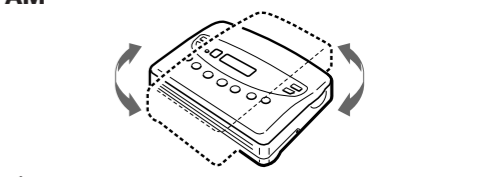
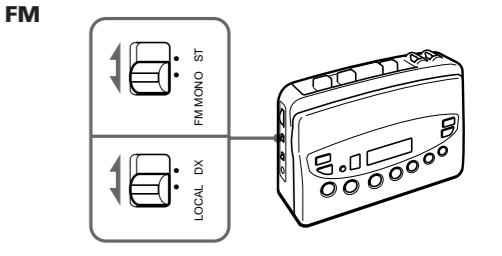
FM、]ユタW、^、J65.0-74.87.5-108 MHz、]iFレ、^87.5-108 MHz、]i苜苜ア a、^AM、]ユSTI、^、J530-1710kHz、]ユN、ヨM苜苜 w、^531-1602 kHz、]i苜苜ア a、^

・ケq苜EノD 3V Eトヤq苜苜 R6 (AA)、Δ2、TM、アオEトヤ 3V ケqキ-、ユ、o

・ユカq ヲ 155g ヲ 235g、]トヤAケq苜ノM苜ア、^

・苜簡ケYカワセ 苜・苜簡ノ苜 (1)、TM-ヨアアイ(1)

ア スシスアオヲヤ
ケ FM。MスミオE 苜e、Mヨホスル FM MONO/STノホ LOCAL/DX-
ケ AM。Mスミスル・サセ ヲ、隅

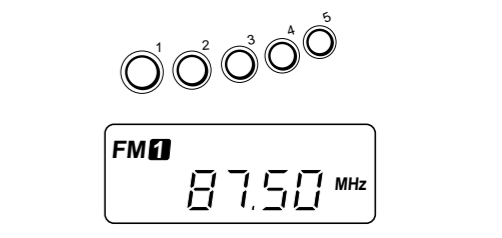


イ、
キ a苜E ヲEノカノ シミアEノ苜苜A、J苜Eイマシスアオケケケノカ、jヨノ。M苜スミア苜苜アイ X-

ケwノ]ケq-x
ア・i・HアNケq-x苜s、J・サセ コ苜sxセケケ。M・i・Hケwノ] 20Eケq-x、MイCエEiヤq 5 E-

1 スイカメノEノEノケq-x-

2 オ 1-5苜苜Mヨノカ、ノ、ヨ、_ 2ヤ苜罕ウ-{-イ箇ノ、Mイ苜オ-Xケハfn、Mケq-xケwノ]ノ苜ケq-x、wノQカ]s。M苜苜ケq-xアノイ Nツツケq-x-



苜苜・ケwノ]ケq-x
オ BANDノ ヲiヤq、M苜M苜ヲ 1-5苜苜E-Xカ]sEノEノケq-x-

SAFETY NOTES ON THE UNIT

WARNING

- To prevent fire or shock hazard, do not expose the unit to rain or moisture.
- Do not use headphones/earphones while driving, cycling, or operating a motorized vehicle. It may create a traffic hazard and is illegal in some areas. It can also be potentially dangerous to play your headphones/earphones at high volume while walking, especially at pedestrian crossings. You should exercise extreme caution or discontinue use in potentially hazardous situations.
- To prevent shock hazards, never open the unit while it is connected to the power source.

CAUTION

- Do not use headphones/earphones at high volume. Hearing experts advise against continuous, loud and extended play. If you experience a ringing in your ears, reduce volume or discontinue use.
- Keep the volume at a moderate level. This will allow you to hear outside sounds and to be considerate to the people around you.

SAFETY NOTES ON POWER SOURCES

To avoid battery leakage, fire, damage, explosion, etc., read the descriptions below.

DANGER

- Do not carry dry batteries with coins or other metallic objects. It can generate heat if the positive and negative terminals of the batteries are accidentally contacted by a metallic object.

WARNING

- Use only the recommended AC power adaptor (not supplied).
- To disconnect the AC power adaptor, only use the plug and not the cable.
- Do not charge a dry battery.
- Check the \oplus and \ominus on the batteries, and be sure to insert them like the illustration in this manual.

CAUTION

- When you are not going to use your Walkman for a long time, remove the batteries to prevent damage from battery leakage and corrosion.

About This Manual

The instructions in this manual are for WM-FX455, WM-FX453 and WM-FX451. Before you start reading, check your model number. WM-FX455 is the model used for illustration purposes. Any differences in operation are clearly indicated in the text, for example, "FX455 only".

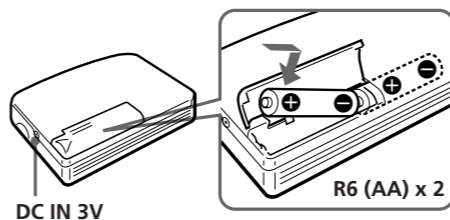
Precautions

- Do not leave the unit in a location near heat sources, or in a place subject to direct sunlight, excessive dust or sand, moisture, rain, mechanical shock, or in a car with its windows closed.
- Do not wind the headphones/earphones cord around the unit. The buttons may be kept pressed, causing unnecessary battery usage.
- Do not use cassettes longer than 90 minutes except for long continuous playback.
- If the unit has not been used for a long time, set it in the playback mode to warm it up for a few minutes before inserting a cassette.
- For cleaning the case, use a soft cloth slightly moistened with mild detergent solution. Do not use alcohol, benzine or thinner.

If you have any questions or problem concerning your Walkman, please consult your nearest Sony dealer.

Preparations

To Insert batteries



Battery life (approximate hours) (EIAJ*)

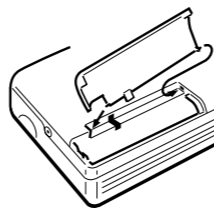
FX455/FX453	Sony alkaline LR6 (SG)	Sony R6P (SR)
playback	22	7
radio	33	13

FX451	Sony alkaline LR6 (SG)	Sony R6P (SR)
playback	24	7.5
radio	33	13

* Measured value by the standard of EIAJ (Electronic Industries Association of Japan). (Using a Sony HF series cassette tape)

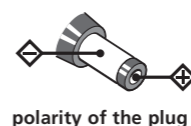
Notes

- Replace both batteries while the "E" indication appears in the display; otherwise all the memories will be canceled.
- The battery life may shorten depending on the operation of the unit.
- For maximum performance we recommend that you use alkaline batteries.
- If the battery compartment lid comes off, attach it as shown.

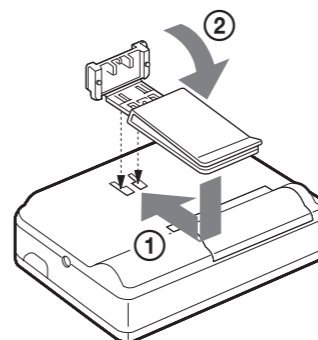


To use external power

- For house current: Connect AC-E30HG AC power adaptor (not supplied) to the DC IN 3V jack. The polarity of the plug is as shown.
- Specifications for AC-E30HG varies for each area. Check your local voltage and the shape of plug before purchasing.



To use the belt clip



When using headphones/earphones

Wear the "L" marked side to the left ear and the "R" marked side to the right ear.

Troubleshooting

The volume is not turned up.

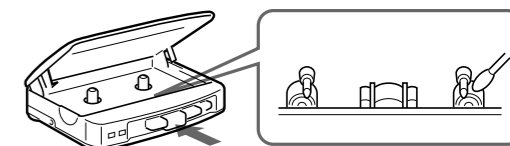
- AVLS is set to LIMIT.
- The sound is unstable or no audio.
- Insert two R6 (AA) batteries properly.
- Replace all batteries if they are weak.

The display shows incorrect information

- The display may show incorrect information or the preset stations may not be recalled correctly when you use the unit for the first time, or when you have left the unit without batteries for a long time. In these cases, remove the batteries, and wait until the display disappears. Then insert batteries and turn the unit on again. The preset stations and the current time will be canceled. Reset these functions again.

Poor tape playback quality.

- Dirty heads. Clean the head and tape path with a cotton swab slightly moistened with cleaning fluid or alcohol.



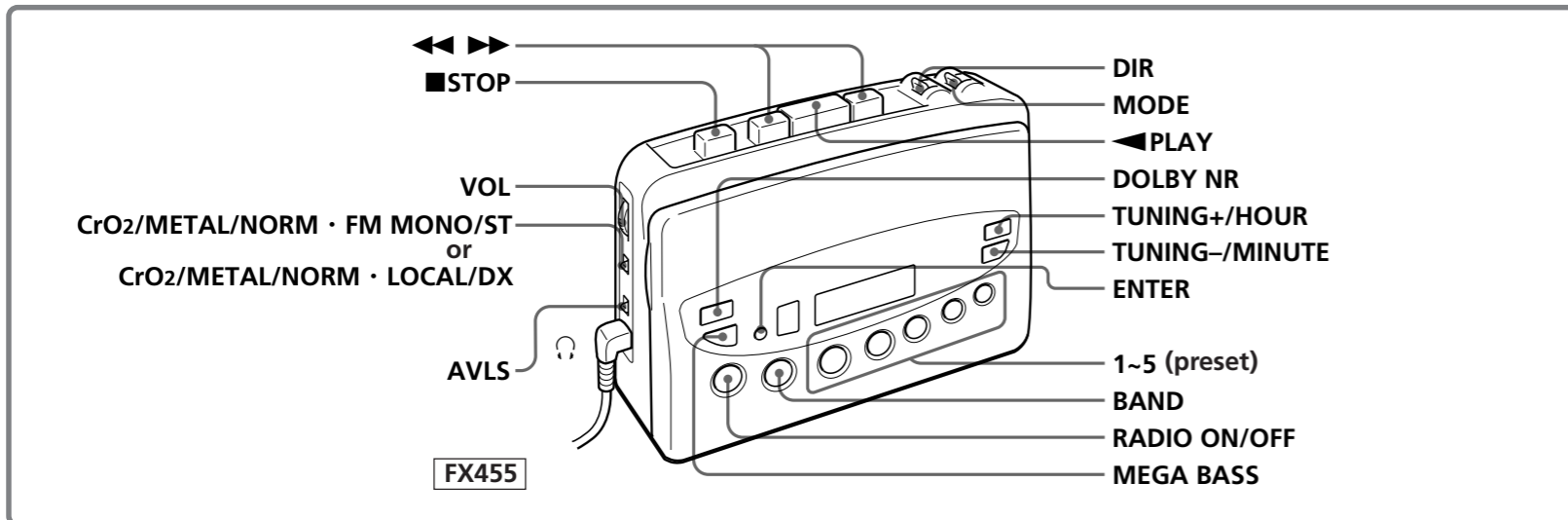
- Clean the headphones/earphones plug.

Specifications

- **Frequency range**
FM: 65.0-74, 87.5-108 MHz (Eastern Europe)
87.5-108 MHz (Other countries)
AM: 530-1710 kHz (North, Central, and South America)
531-1602 kHz (Other countries)
- **Power requirements**
3V DC batteries R6 (AA) x 2/External DC 3V power sources
- **Dimensions**
112.5 x 87.3 x 35.2 mm (4 1/2 x 3 1/2 x 1 7/16 inches) (w/h/d) incl. projecting parts and controls
- **Mass**
Approx. 155g (5.5 oz)
Approx. 235g (8.3 oz) incl. batteries and a cassette
- **Supplied accessories**
Stereo headphones or Stereo earphones (1)/Belt clip (1)

Design and specifications are subject to change without notice.

Location of parts and controls



Setting the clock

1 Press ENTER.

The hour and minute digits flash.

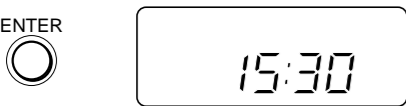


2 Press HOUR and MINUTE until you set the time within 10 seconds of flashing.



3 Press ENTER.

The clock starts.

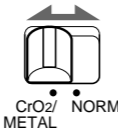


Note

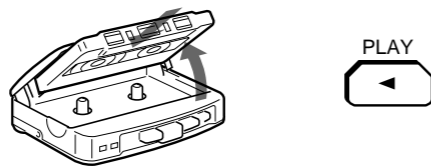
The illustrations in this manual show the clock display on a 24-hour system. For models for some areas, the clock is on a 12-hour system.

Playing a tape

1 Select NORM or CrO2/METAL to match the tape type.



2 Insert a cassette and press PLAY.



To	Press
Stop playback	■
Fast-forward or rewind the tape*	▶▶ or ◀◀

*Notes on fast-forward and rewind

- Check tape direction and choose ▶▶ or ◀◀ accordingly.
- If you leave the unit after the tape has been wound or rewound, the batteries will be consumed rapidly. Be sure to press ■.

To limit the maximum volume automatically

Set AVLS (Automatic Volume Limiter System) to LIMIT. The maximum volume is kept down to protect your ears, even if you turn the volume up. To cancel the AVLS function, set AVLS to NORM.

Tips

- To switch the playback side, set DIR to ◀ or ▶.
- To select the direction of the tape, set MODE to ◀▶ to play both sides of the tape once, or ◀◀▶▶ to play both sides repeatedly.
- FX455/FX453 only: To emphasize deep bass sound, press MEGA BASS and "MEGA BASS" will appear during radio and tape operations. To cancel the MEGA BASS function, press MEGA BASS again.
- FX455 only: To listen to a tape recorded with the Dolby* NR system, press DOLBY NR and "DOLBY" will appear during tape operations. To cancel the DOLBY NR function, press DOLBY NR again.

* Dolby noise reduction manufactured under license from Dolby Laboratories Licensing Corporation. "DOLBY" and the double-D symbol $\square\square$ are trademarks of Dolby Laboratories Licensing Corporation.

Notes

- When you set AVLS to LIMIT:
 - the MEGA BASS effect is reduced (FX455/FX453 only).
 - turn down the volume, if the bass-boosted sound becomes distorted or unstable.
- Do not open the cassette holder while the tape is running.

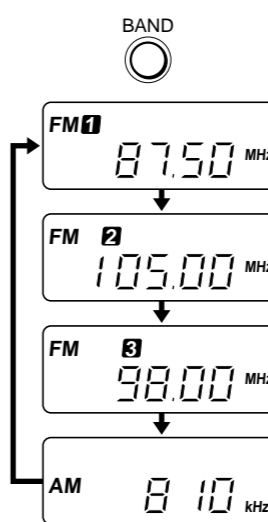
Listening to the radio

1 Press RADIO ON/OFF.

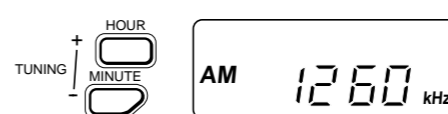


2 Press BAND to select the band you want (FM1, FM2, FM3 or AM).

Each time you press the button, the display changes.



3 Press TUNING +/- to tune the station you want.



To turn off the radio

Press RADIO ON/OFF.

To tune the station quickly

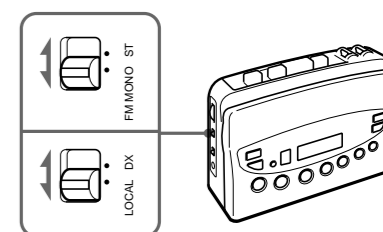
Hold down TUNING +/- in step 3. The frequency digits change quickly. When you release the button scanning begins and automatically stops when it receives a station.

To improve broadcast reception

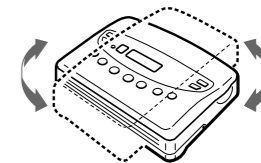
For FM, extend the headphones cord or adjust FM MONO/ST or LOCAL/DX.

For AM, reorient the unit itself.

FM



AM



Note

If the broadcast becomes noisy when a cassette with a metallic shell or label is inserted, remove the cassette.

To preset radio stations

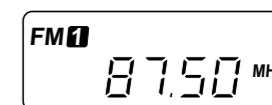
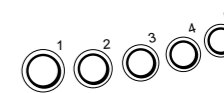
You can store radio stations into the unit's memory. You can preset up to 20 radio stations, 5 for each band.

1 Tune to the station you want.

2 Press hold 1-5 buttons for more than 2 seconds.

The display flashes twice with a beep sound, the station is preset.

If a station is already stored, the new station replaces the old one.



To play the preset radio stations

Press BAND to select the band, and then press 1-5 buttons to tune in a stored station.