

# Portable MiniDisc Player

Operating instructions  
Mode d'emploi (au dos)



MZ-EP11

### WARNING

To prevent fire or shock hazard, do not expose the unit to rain or moisture.

To avoid electrical shock, do not open the cabinet. Refer servicing to qualified personnel only.

### Caution

The use of optical instruments with this product will increase eye hazard.

### Information

IN NO EVENT SHALL SELLER BE LIABLE FOR ANY DIRECT, INCIDENTAL OR CONSEQUENTIAL DAMAGES OF ANY NATURE, OR LOSSES OR EXPENSES RESULTING FROM ANY DEFECTIVE PRODUCT OR THE USE OF ANY PRODUCT.

### For Customers in the United States Information

- This equipment has been tested and found to comply with the limits for a Class B digital device, pursuant to Part 15 of the FCC rules. These limits are designed to provide reasonable protection against harmful interference in a residential installation. This equipment generates, uses, and can radiate radio frequency energy and, if not installed and used in accordance with the instructions, may cause harmful interference to radio communications. However, there is no guarantee that interference will not occur in a particular installation. If this equipment does cause harmful interference to radio or television reception, which can be determined by turning the equipment off and on, the user is encouraged to try to correct the interference by one of more of the following measures:
  - Reorient or relocate the receiving antenna.
  - Increase the separation between the equipment and the receiver.
  - Connect the equipment into an outlet on a circuit different from that to which the receiver is connected.
  - Consult the dealer or an experienced radio/TV technician for help.

You are cautioned that any changes or modifications not expressly approved in this manual could void your authority to operate this equipment.

### For the customers in the U.S.A.

#### RECYCLING NICKEL-CADMIUM BATTERIES

**Ni-Cd NICKEL-CADMIUM BATTERY. BATTERY MUST BE RECYCLED OR DISPOSED OF PROPERLY.** Nickel-Cadmium batteries are recyclable. You can help preserve our environment by returning your unwanted batteries to your nearest Sony Service Center for collection, recycling or proper disposal. **Note:** In some areas the disposal of nickel-cadmium batteries in household or business trash may be prohibited. For the Sony Service Center nearest you call 1-800-222-SONY (United States only) **Caution:** Do not handle damaged or leaking nickel-cadmium batteries.

# Getting Started

You can operate the player on either a rechargeable battery or a dry battery. Before using the supplied rechargeable battery for the first time, charge it. You can also operate the player on house current (see "Power sources").

## 1 Charge the rechargeable battery.

Install the supplied rechargeable battery NC-6WM to the supplied battery charger with correct polarity, and connect to a wall outlet.

- U.S.A. and European continental model (Full charging takes 150 minutes.)
- UK model (Full charging takes 3 hours and 30 minutes.)
- Other countries model (Full charging takes 60 minutes.)

### For models supplied with the AC plug adaptor

If the battery charger does not fit the wall outlet, use the AC plug adaptor.

## 2 Insert a rechargeable battery.

Slide open the battery compartment lid like the arrow in the illustration.

Insert the battery with correct polarity.

### Using a dry battery

LR6 (size AA) alkaline battery (not supplied)

## 3 Insert an MD.

① Insert an MD on the groove of the disc compartment lid. The shutter of the disc compartment will open when you insert an MD.

② Push in the MD until it locks in its place. When the MD is locked in its place the shutter will close.

# Playing an MD

The player automatically switches to play the stereo or monaural sound according to the recorded sound.

## 1 Play an MD.

- Press **▶** (Turn the control to **▶▶▶▶▶** on the remote control) The player starts to play the first track. If you use the remote control, a short beep sounds in the headphones.

Headphones with remote control (supplied)

to REMOTE

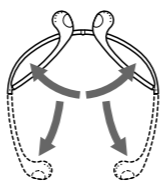
VOLUME +/-

② Press VOLUME +/- (VOL +/-) on the remote control to adjust the volume. You can check the volume in the display of the remote control.

To stop play, press **■**. If you use the remote control, a short beep sounds in the headphones.

To	Press (Beeps in the headphones)
Pause	<b>  </b> (Continuous short beeps)  Press <b>  </b> again to resume play.
Find the beginning of the current track	<b>◀◀</b> once (Turn the control to <b>◀◀◀</b> on the remote control) (Three short beeps)
Find the beginning of the next track	<b>▶▶</b> once (Turn the control to <b>▶▶▶</b> on the remote control) (Two short beeps)
Go backwards while playing!	keep pressing <b>◀◀</b> (Turn and hold the control to <b>◀◀◀</b> on the remote control)
Go forward while playing!	keep pressing <b>▶▶</b> (Turn and hold the control to <b>▶▶▶</b> on the remote control)

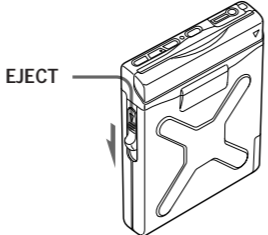
For customers in the United States  
Unfold the supplied headphones as shown in the illustration below.



Wear the "L" marked side to the left ear and the "R" marked side to the right ear.

If the play does not start  
Make sure the player is not locked. See "To lock the controls."

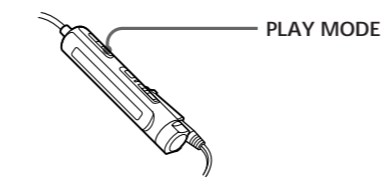
To remove the MD  
Press **■** and then slide EJECT<sup>®</sup>. The disc compartment shutter opens and the MD ejects.



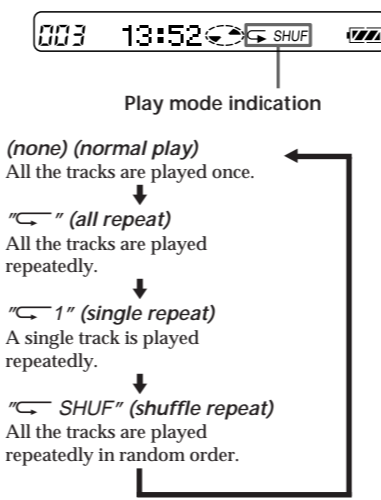
### ► Various ways of playback

#### Playing tracks repeatedly

You can play tracks repeatedly in three ways—all repeat, single repeat, and shuffle repeat.

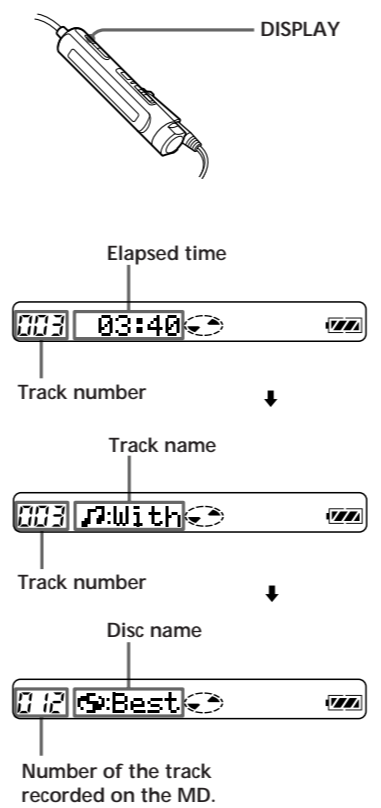


Press PLAY MODE on the remote control while the player is playing an MD. Each time you press PLAY MODE, the play mode indication changes as follows.



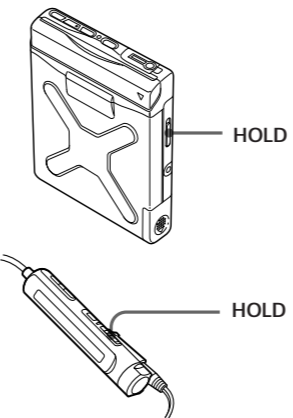
#### Tips on playback

To know the track name and time  
Press DISPLAY on the remote control while the player is playing an MD. Each time you press DISPLAY, the display changes as follows.



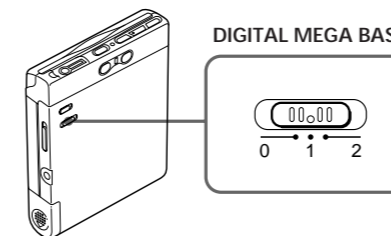
Note  
Disc and track names appear only with MDs that have been electronically labeled.

To lock the controls  
To prevent the buttons from being accidentally operated when you carry the player, use this function.



Slide HOLD in the direction of the arrow. On the player, slide HOLD to lock the controls of the player.

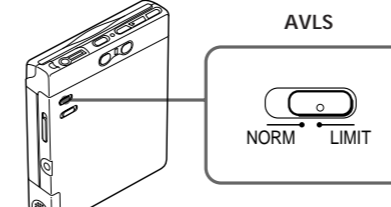
To emphasize bass (DIGITAL MEGA BASS)  
The DIGITAL MEGA BASS function intensifies low frequency sound for richer quality audio reproduction.



Slide DIGITAL MEGA BASS. Choose 1 (slight effect) or 2 (strong effect). To cancel the effect, set DIGITAL MEGA BASS to 0.

Note  
If the sound is distorted when emphasizing bass, turn down the volume.

To protect your hearing (AVLS)  
The AVLS (Automatic Volume Limiter System) function keeps down the maximum volume to protect your ears.



Set AVLS to LIMIT.  
The volume is kept at a moderate level, even if you try to turn the volume above the limited level.

### ► Power sources

#### When to replace or charge the batteries

You can check the battery condition with the battery indication on the remote control while using the player.

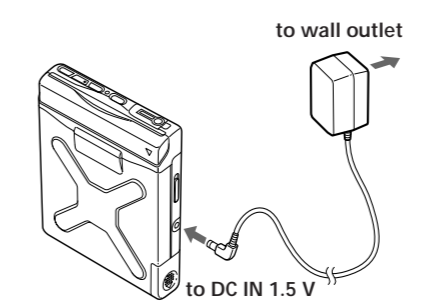
- Used batteries
- Weak batteries. Replace all the batteries
- The batteries have gone out. "LoBATT" flashes in the display, and the power goes off.

Batteries	Playback
Ni-Cd rechargeable battery (NC-6WM)	Approx. 2 hours
one LR6 (size AA) alkaline battery	Approx. 5 hours

\* The battery life may be shorter due to operating conditions and the temperature of the location.

#### Using on house current

- Connect the AC-E15L AC power adaptor (not supplied) to the DC IN 1.5V jack of the player.
- Connect the AC power adaptor to a wall outlet.



Note  
The battery indication **■** is displayed while using the AC power adaptor.

### ► Additional information

#### Precautions

- On safety**
  - Do not put any foreign objects in the DC IN 1.5 V jack.
- On power sources**
  - For use in your house: Use the AC power adaptor AC-E15L (not supplied). Do not use any other AC power adaptor since it may cause the player to malfunction.



- The player is not disconnected from the AC power source (mains) as long as it is connected to the wall outlet, even if the player itself has been turned off.
- If you are not going to use this player for a long time, be sure to disconnect the power supply (AC power adaptor, dry batteries, rechargeable batteries, or car battery cord). To remove the AC power adaptor from the wall outlet, grasp the adaptor plug itself; never pull the cord.

### On charging

- Be sure to use the supplied battery charger.
- Charging time may vary depending on the battery condition.
- When you use the battery for the first time or after a long period of disuse, the battery life may be shorter. In this case, charge and discharge the battery several times. The battery life will be restored.
- If the rechargeable battery capacity becomes half the normal life, replace it with a new one.

### On heat build-up

- Heat may build up in the player if it is used for an extended period of time. In this case, leave the player to cool down.

### On installation

- Never use the player where it will be subjected to extremes of light, temperature, moisture or vibration.
- Never wrap the player in anything when it is being used with the AC power adaptor. Heat build-up in the player may cause malfunction or injury.

### On the headphones

Road safety  
Do not use headphones while driving, cycling, or operating any motorized vehicle, it may create a traffic hazard and is illegal in many areas. It can also be potentially dangerous to play your player at high volume while walking, especially at pedestrian crossings. You should exercise extreme caution or discontinue use in potentially hazardous situations.

### Preventing hearing damage

Avoid using headphones at high volume. Hearing experts advise against continuous, loud and extended play. If you experience a ringing in your ears, reduce the volume or discontinue use.

### Caring for others

Keep the volume at a moderate level. This will allow you to hear outside sounds and to be considerate of the people around you.

### On the MiniDisc cartridge

- Do not break open the shutter.
- Do not place the cartridge where it will be subject to light, temperature, moisture or dust.

### On cleaning

- Clean the player casing with a soft cloth slightly moistened with water or a mild detergent solution. Do not use any type of abrasive pad, scouring powder or solvent such as alcohol or benzene as it may mar the finish of the casing.
- Wipe the disc cartridge with a dry cloth to remove dirt.
- Dust on the lens may prevent the unit from operating properly. Be sure to close the disc compartment lid after inserting and ejecting an MD.

### Notes on the batteries

- Incorrect battery usage may lead to leakage of battery fluid or bursting batteries. To prevent such accidents, observe the following precautions:
  - Install the + and - poles of the batteries correctly.
  - Do not try to recharge the batteries.
  - When the player is not to be used for a long time, be sure to remove the batteries.
  - If a battery leak should develop, carefully and thoroughly wipe away battery fluid from the battery compartment before inserting new ones.

### Note on mechanical noise

The player gives out mechanical noise while operating, which is caused by the power-saving system of the player and it is not a trouble.

If you have any questions or problems concerning your player, please consult your nearest Sony dealer.

### Troubleshooting

Should any problem persist after you have made these checks, consult your nearest Sony dealer.

#### The player does not work or works poorly.

- You tried to play with no disc in the player ("No DISC" flashes).
  - Insert an MD.
  - The player is locked.
    - Slide HOLD against the arrow to unlock the player.
- Moisture has condensed inside the player.
  - Take the MD out and leave the player in a warm place for several hours until the moisture evaporates.
- The rechargeable battery or dry battery are weak ("LoBATT" flashes).
  - Replace the dry battery or recharge the battery.
- The rechargeable battery or dry battery have been installed incorrectly.
  - Install the battery correctly.
- An MD with no recording on it is inserted ("BLANK" flashes).
  - Insert a recorded MD.
- The player cannot read the disc (it's scratched or dirty) ("ERROR" flashes).
  - Reinsert or replace the disc.
- While operating, the player received a mechanical shock, too much static, abnormal power voltage caused by lightning, etc.
  - Restart the operation as follows.
    - Disconnect all the power sources.
    - Leave the player for about 30 seconds.
    - Connect the power source.

#### The MD is not played normally.

- The player is set to the repeat mode ("◀" is displayed).
  - Press PLAY MODE repeatedly until "▶" disappears, then start playing.

#### An MD is not played from the first track.

- Disc playing stopped before it came to the last track.
  - Press **▶▶** repeatedly or eject and reinsert the MD once to go back to the beginning of the disc, and restart playing after checking the track number in the display.

#### Playback sound skips.

- The player is placed where it receives continuous vibration.
  - Put the player on a stable place.
  - A very short track may cause sound to skip.

#### Sound has a lot of static.

- Strong magnetism from a television or battery fluid or bursting batteries. To prevent such accidents, observe the following precautions:
  - Move away from the source of strong magnetism.

#### Charging the rechargeable battery does not start. (in case of the charger with a lid)

- The lid of the battery charger is not closed properly.
  - Close the lid and slide the switch on it.

#### No sound comes through the headphones.

- The headphones plug is not firmly connected.
  - Connect the headphones plug firmly to the remote control. Then connect the remote control plug firmly to the  $\text{C}/\text{REMOTE}$  jack.
- Volume is too low.
  - Adjust the volume by pressing VOLUME +/-.
- AVLS is on.
  - Slide AVLS to NORM.

### Specifications

#### System

Audio playing system  
MiniDisc digital audio system  
Laser diode properties  
Material: GaAlAs  
Wavelength:  $\lambda = 790 \text{ nm}$   
Emission duration: continuous  
Laser output: less than  $44.6 \mu\text{W}$   
\* This output is the value measured at a distance of 200 mm from the objective lens surface on the optical pick-up block with 7mm aperture.  
Revolutions  
400 rpm to 900 rpm (CLV)  
Error correction  
Advanced Cross Interleave Reed Solomon Code (ACIRC)  
Modulation system  
EFM (Eight to Fourteen Modulation)  
Number of channels  
2 stereo channels  
1 monaural channel  
Frequency response  
20 to 20,000 Hz  $\pm 3 \text{ dB}$   
Wow and Flutter  
Below measurable limit  
Outputs  
Headphones: stereo mini-jack, maximum output level 5 mW + 5 mW, load impedance 16 ohm

#### General

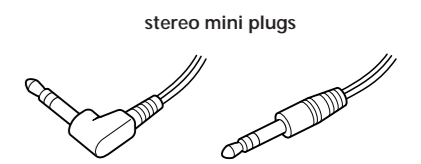
Power requirements  
Nickel cadmium rechargeable battery NC-6WM (supplied)  
One LR6 (size AA) battery (not supplied)  
Sony AC Power Adaptor AC-E15L<sup>®</sup> (not supplied) connected at the DC IN 1.5 V jack  
Battery operation time  
See "When to replace or charge the battery"  
Dimensions  
Approx. 80 x 18.5 x 104 mm (w/h/d) (3 1/4 x 3/4 x 4 1/8 in.) not including projecting parts and controls  
Mass  
Approx. 160 g (5.6 oz.) the player only  
Approx. 200 g (7.1 oz.) incl. a premastered MD, and a nickel cadmium rechargeable battery NC-6WM  
Supplied accessories  
Battery Charger (1): NC-6WM, 1.2V, 600mAh Ni-Cd  
Rechargeable battery carrying case (1)  
Headphones with a remote control (1)  
Carrying pouch (1)  
Ear pad (2) (Including U.S.A. model)

#### Optional accessories

AC-E15L AC power adaptor<sup>®</sup>  
MDR-series Stereo headphones<sup>®</sup>  
SRS-A11 Sony Active Speakers  
CK-M14 MiniDisc Carrying Case  
CK-MD10 MiniDisc Filing Box

<sup>1)</sup> The operative voltage for the AC power adaptor varies depending upon the country in which it is sold. Therefore, purchase the AC power adaptor in the country you intend to use it.

<sup>2)</sup> Whether you should plug the headphones directly to  $\text{C}/\text{REMOTE}$  on the main unit or to a remote control, use only headphones with stereo mini plugs.



Your dealer may not handle some of the above listed accessories. Please ask the dealer for detailed information about the accessories in your country.

US and foreign patents licensed from Dolby Laboratories Licensing Corporation.

Design and specifications are subject to change without notice.



## AVERTISSEMENT

Pour éviter tout risque d'incendie ou d'électrocution, ne pas exposer l'appareil à la pluie ou à l'humidité.

**Ne pas ouvrir le châssis, sous risque d'électrocution. Confier l'entretien exclusivement à un personnel qualifié.**

**Attention**
L'utilisation d'instruments optiques avec ce produit augmente le danger pour les yeux.

A pleine puissance, l'écoute prolongée du baladeur peut endommager l'oreille de l'utilisateur.

Informations

EN AUCUN CAS LE VENDEUR NE POURRA ETRE TENU RESPONSABLE DE TOUT DOMMAGE DIRECT OU INDIRECT DE TOUTE NATURE, OU DE TOUTE PERTE OU DEPENS RESULTANT D'UN PRODUIT DEFECTUEUX OU DE L'UTILISATION DE TOUT PRODUIT.

"MD WALKMAN" est une marque déposée de Sony Corporation.

Bienvenue !

Bienvenue dans le monde du MiniDisque ! Le présent mode d'emploi décrit quelques-unes des fonctions et caractéristiques que vous apporte votre nouveau Lecteur MiniDisque.

- Lecteur MiniDisc de format réduit intégrant un système de chargement frontal de conception nouvelle. Vous pouvez introduire ou éjecter un MD alors que le lecteur se trouve dans votre poche ou dans un sac.
- Vous pouvez faire fonctionner ce lecteur au moyen d'une batterie rechargeable ou d'une pile sèche de "type chewing-gum" installée dans le compartiment à batterie du lecteur.
- Le mécanisme d'économie d'énergie permet de ne devoir utiliser qu'une seule pile sèche LR6 (AA).
- L'écouteurs à télécommande et affichage à cristaux liquides - Vous pouvez également faire fonctionner ce lecteur au moyen de la télécommande (fournie) alors que le lecteur se trouve dans votre poche.

A pleine puissance, l'écoute prolongée du baladeur peut endommager l'oreille de l'utilisateur.

Informations

EN AUCUN CAS LE VENDEUR NE POURRA ETRE TENU RESPONSABLE DE TOUT DOMMAGE DIRECT OU INDIRECT DE TOUTE NATURE, OU DE TOUTE PERTE OU DEPENS RESULTANT D'UN PRODUIT DEFECTUEUX OU DE L'UTILISATION DE TOUT PRODUIT.

"MD WALKMAN" est une marque déposée de Sony Corporation.

# Préparation

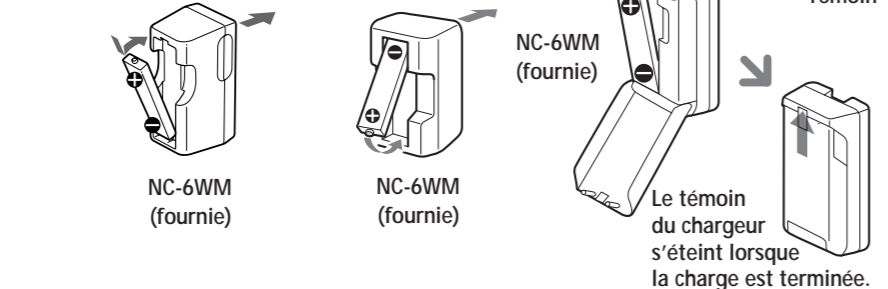
Lecteur MiniDisc

Vous pouvez faire fonctionner ce lecteur au moyen d'une batterie rechargeable ou d'une pile sèche. Avant la première utilisation de la batterie rechargeable fournie, vous devez la charger. Vous pouvez également faire fonctionner le lecteur sur le secteur (voir "Sources d'alimentation").

## 1 Chargez la batterie rechargeable.

Installez la batterie rechargeable fournie NC-6WM sur le chargeur de batterie fourni en en respectant la polarité et branchez-le sur une prise murale.

- Modèles pour les Etats-Unis et l'Europe continentale (Une charge complète dure 150 minutes.)
- Modèle pour le Royaume-Uni (Une charge complète dure 3 heures et 30 minutes.)
- Modèle pour les autres pays (Une charge complète dure 60 minutes.)

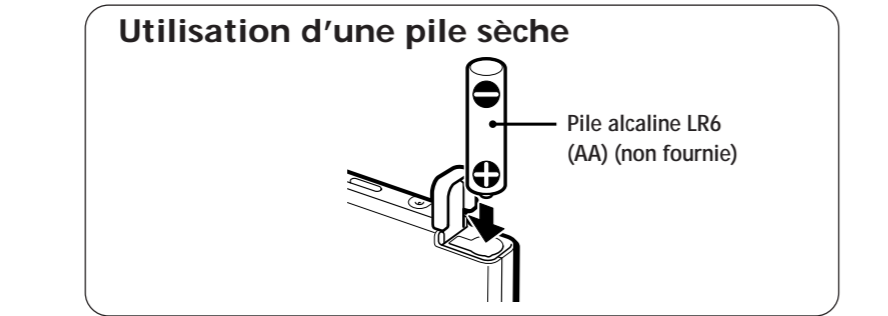
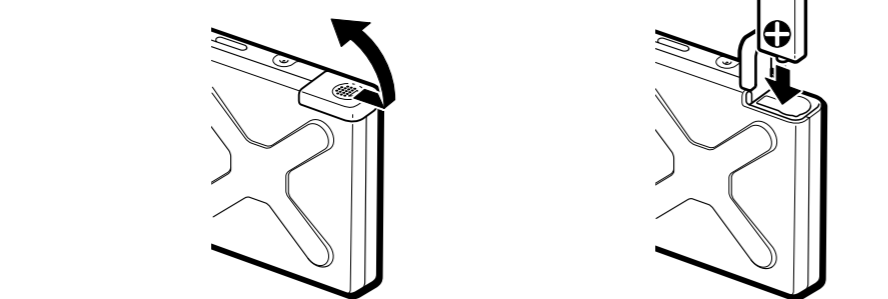


Pour les modèles fournis avec un adaptateur de fiche secteur

Si la fiche du chargeur de batterie ne correspond pas à la prise murale, utilisez l'adaptateur de fiche secteur.

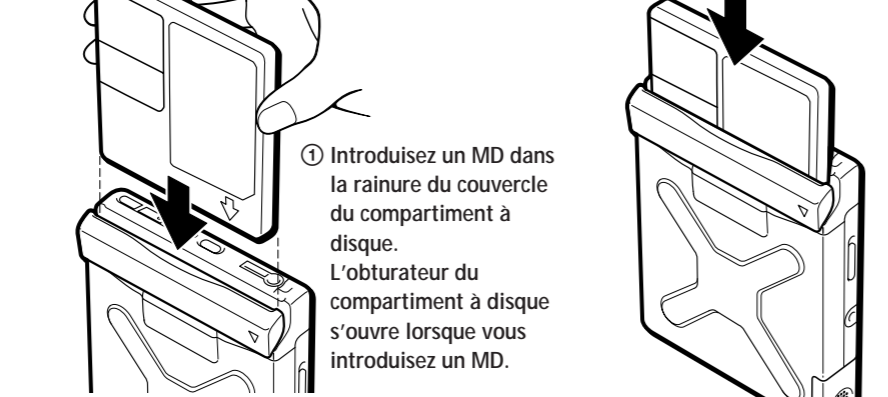
## 2 Introduisez une batterie rechargeable.

Faites coulisser le couvercle du compartiment à batterie dans le sens de la flèche indiquée dans l'illustration.



Si la lecture ne démarre pas. Assurez-vous que le lecteur n'est pas verrouillé. Voir "Verrouillage des commandes".

### 3 Introduisez un MD.



# Lecture d'un MD

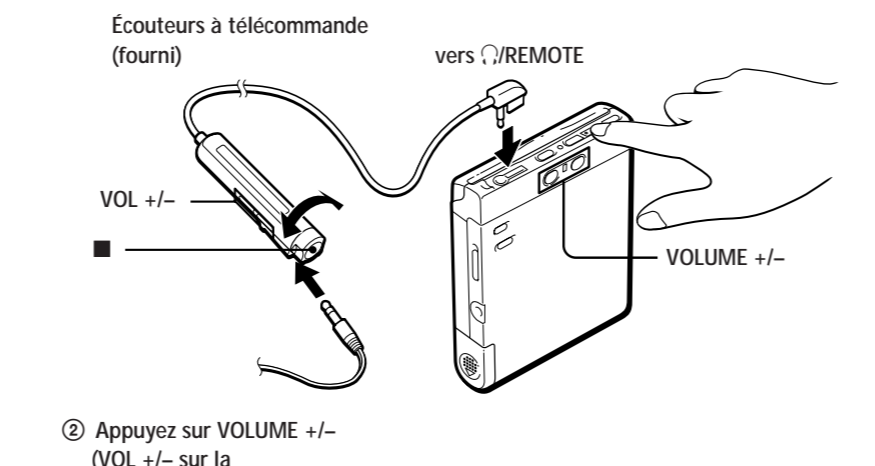
Lecteur MiniDisc

Lecteur MiniDisc

Le lecteur commute automatiquement la lecture en stéréo ou en monaural suivant le son enregistré.

### 1 Lancez la lecture d'un MD.

- Appuyez sur ► (Mettez la commande sur ►►► de la télécommande). Le lecteur démarre la lecture de la première page. Si vous utilisez la télécommande, un bref bip sonore retentit dans les écouteurs.



Pour arrêter la lecture, appuyez sur ■. Si vous utilisez la télécommande, un bref bip sonore retentit dans les écouteurs.

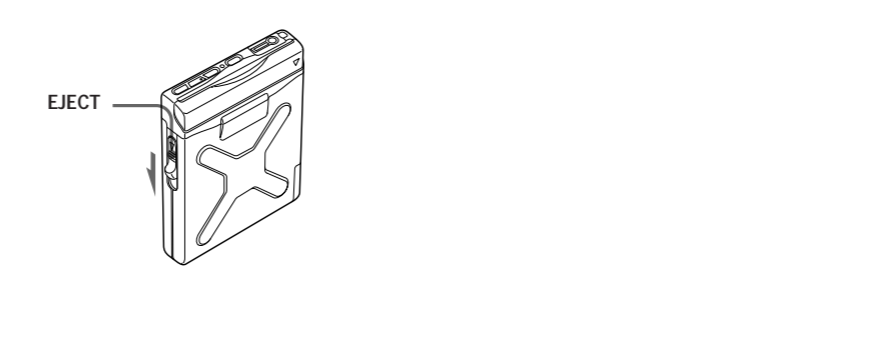
Lecteur MiniDisc

**Affichage en cours de lecture**

Pour activer une pause	Appuyez sur (bips sonores dans les écouteurs) ■■ (bips brefs en continu) <p>Appuyez à nouveau sur ■■ pour reprendre la lecture.</p>
Localiser le début de la plage en cours	◀◀ une fois (Mettez la commande sur ◀◀ de la télécommande) (trois bips brefs)
Localiser le début de la plage suivante	►► une fois (Mettez la commande sur ►►► de la télécommande) (deux bips brefs)
Revenir en arrière en cours de lecture <sup>1)</sup>	maintenez la touche ◀◀ enfoncée (Tournez et maintenez la commande sur ◀◀ de la télécommande)
Avancer en cours de lecture <sup>1)</sup>	maintenez la touche ►►► enfoncée (Tournez et maintenez la commande sur ►►► de la télécommande)

**Si la lecture ne démarre pas.** Utilisez les écouteurs avec une minifiche stéréo. Vous ne pouvez pas utiliser les écouteurs avec une microfiche.

**Pour retirer le MD**
Appuyez sur ■ et faites ensuite coulisser EJECT<sup>1)</sup>. L'obturateur du compartiment à disque s'ouvre et le MD est éjecté.



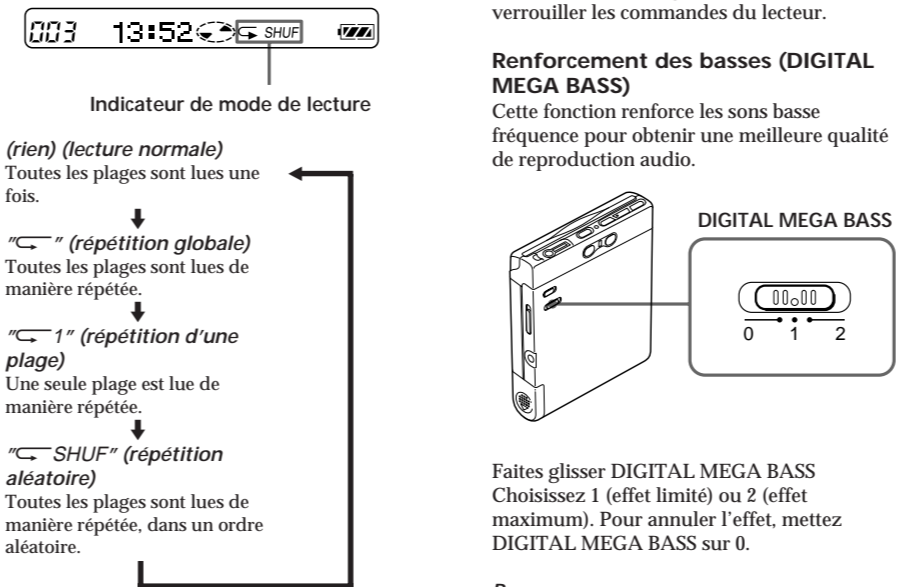
► **Divers modes de lecture**

### Lecture répétée de pages

Il existe trois modes de lecture répétée de pages — répétition de toutes les pages, répétition d'une page et répétition aléatoire.



Appuyez sur la touche PLAY MODE de la télécommande pendant que le lecteur est en train de reproduire un MD. Chaque fois que vous appuyez sur la touche PLAY MODE, l'indication du mode de lecture change comme suit:



*(rien) (lecture normale)*
Toutes les plages sont lues une fois.

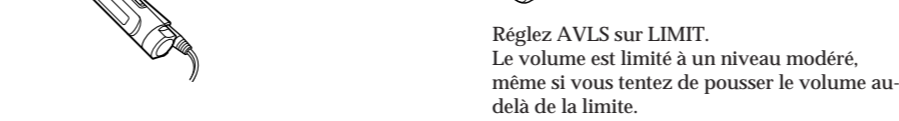
◀◀ (répétition globale)
Toutes les plages sont lues de manière répétée.

◀◀ 1 (répétition d'une plage)
Une seule page est lue de manière répétée.

◀◀ SHUF (répétition aléatoire)
Toutes les plages sont lues de manière répétée, dans un ordre aléatoire.

**Conseils à propos de la lecture**

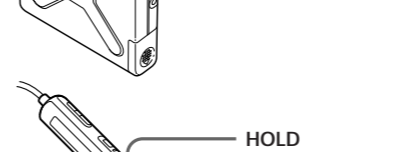
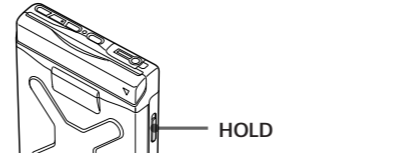
**Affichage du nom de la plage et de l'heure**
Appuyez sur la touche DISPLAY de la télécommande pendant que le lecteur est en train de reproduire un MD. Chaque fois que vous appuyez sur DISPLAY, l'afficheur change comme suit.



**Remarque**
Les noms des disques et des pages apparaissent uniquement avec des MD qui ont été étiquetés électroniquement.

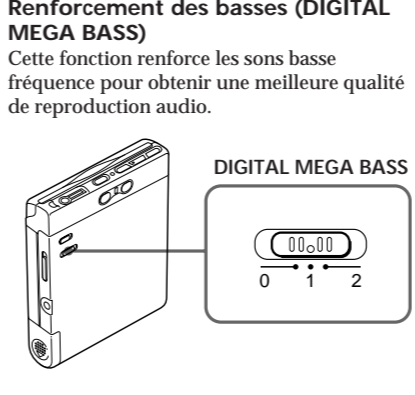
**Verrouillage des commandes**

Utilisez cette fonction pour empêcher l'actionnement accidentel des touches pendant le transport du lecteur.



Faites glisser HOLD dans la direction de ►. Sur le lecteur, faites glisser HOLD pour verrouiller les commandes du lecteur.

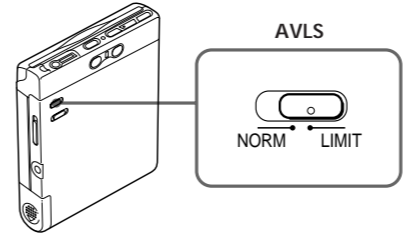
**Renforcement des basses (DIGITAL MEGA BASS)**
Cette fonction renforce les sons basse fréquence pour obtenir une meilleure qualité de reproduction audio.



Faites glisser DIGITAL MEGA BASS Choisissez 1 (effet limité) ou 2 (effet maximum). Pour annuler l'effet, mettez DIGITAL MEGA BASS sur 0.

*Remarque*
Si le son est déformé lorsque les basses sont renforcées, diminuez le volume.

**Protection du système auditif (AVLS)**
La fonction AVLS (Automatic Volume Limiter System) limite le volume maximum de manière à préserver votre ouïe.



Réglez AVLS sur LIMIT. Le volume est limité à un niveau modéré, même si vous tentez de pousser le volume au-delà de la limite.

► **Sources d'alimentation**

**Remplacement ou charge des piles**

Vous pouvez vérifier l'état de la batterie à l'aide de l'indication affichée sur la télécommande pendant que le lecteur fonctionne.

- Piles utilisées
- Piles faibles. Remplacez toutes les piles.

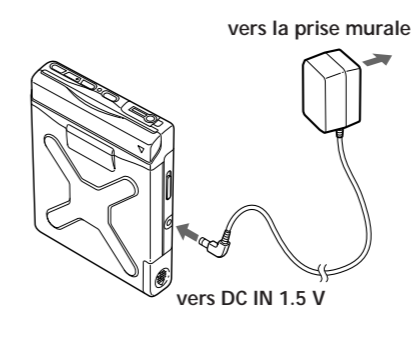
Piles à plat. "LoBATT" clignote dans l'afficheur de la télécommande et l'enregistreur n'est plus alimenté.

Autonomie des piles*	
Piles	Lecture
Batterie rechargeable Ni-Cd (NC-6WM)	Env. 2 heures
Une pile alcalines type LR6 (AA)	Env. 5 heures

\* L'autonomie des piles peut varier selon les conditions d'utilisation et la température ambiante.

### Utilisation sur secteur

- Raccordez l'adaptateur secteur AC-E15L (non fourni) à la prise DC IN 1.5V du lecteur.
- Branchez l'adaptateur secteur sur une prise murale.



*Remarque*
L'indication de la batterie est affichée pendant que vous utilisez l'adaptateur secteur.

### ► Informations complémentaires

### Précautions

**Sécurité**

- N'introduisez aucun corps étranger dans la prise DC IN 1.5 V.

**Sources d'alimentation**

- Utilisation domestique: Utilisez l'adaptateur secteur AC-E15L (non fourni). N'utilisez pas d'autre type d'adaptateur secteur, car il pourrait provoquer un dysfonctionnement du lecteur.



- Le lecteur n'est pas débranché du secteur aussi longtemps qu'il reste raccordé à la prise murale, même si le lecteur lui-même est mis hors tension.
- Si vous prévoyez de ne pas utiliser le lecteur pendant un laps de temps prolongé, veillez à le déconnecter de la source d'alimentation (adaptateur secteur, piles sèches, piles rechargeables ou batterie de voiture). Pour débrancher l'adaptateur secteur de la prise murale, saisissez le cordon par la fiche : ne tirez jamais sur le cordon proprement dit.

*Remarque*
Les noms des disques et des pages apparaissent uniquement avec des MD qui ont été étiquetés électroniquement.

**A propos des rechange**

- Utilisez pour cela le chargeur de batterie fourni.
- Le temps de charge peut varier selon l'état de la pile.
- Lorsque vous utilisez la pile pour la première fois ou après une longue période d'inutilisation, l'autonomie des piles peut être raccourcie. Dans ce cas, chargez et déchargez plusieurs fois la pile. L'autonomie des piles sera restaurée.
- Si la capacité de la pile rechargeable diminue à la moitié de la capacité normale, remplacez-la.

**Accumulation de chaleur**

- Une accumulation de chaleur peut se produire dans le lecteur s'il est utilisé pendant un laps de temps prolongé. Dans ce cas, laissez le lecteur refroidir.

### Installation

- N'utilisez jamais le lecteur à des endroits où il pourrait être soumis à des conditions extrêmes de luminosité, température, humidité ou vibrations.
- N'enveloppez jamais le lecteur lorsqu'il est alimenté sur secteur. L'accumulation de chaleur dans le lecteur peut entraîner un dysfonctionnement ou provoquer des blessures.

#### Écouteurs

*Sécurité routière*

N'utilisez jamais les écouteurs en roulant en voiture, à vélo ou en conduisant un véhicule motorisé. Une telle attitude présente un danger pour la circulation et est illégale dans certains régions. Il peut également être dangereux d'utiliser un niveau sonore trop élevé en marchant, particulièrement lors de la traversée de passages pour piétons. Soyez extrêmement prudent - le cas échéant, éteignez l'appareil - dans les situations qui peuvent présenter un danger.

*Ménagez votre ouïe*

Évitez d'utiliser les écouteurs à un niveau sonore élevé. Les spécialistes déconseillent une écoute prolongée à un volume élevé. Si vous avez les oreilles qui bourdonnent, réduisez le volume ou éteignez l'appareil.

*Respectez autrui*

Utilisez un niveau sonore modéré. Cela vous permettra d'entendre ce qui se passe autour de vous tout en évitant d'importuner les autres.

#### Cartouches MiniDisque

- Ne brisez pas l'obturateur du disque.
- Ne placez pas le disque à un endroit où il risque d'être exposé à des conditions extrêmes de lumière, température, humidité ou poussière.

#### Nettoyage

- Nettoyez le boîtier de l'appareil à l'aide d'un chiffon doux légèrement imprégné d'eau ou d'une solution de détergent non mordant. N'utilisez pas de tampons abrasifs, poudres à récurer ou solvants tels que de l'alcool ou du benzène, sous risque d'endommager le boîtier.
- Nettoyez les cartouches à l'aide d'un chiffon doux pour les dépeussière.
- Un dépôt de poussière sur la lentille peut entraîner un mauvais fonctionnement de l'appareil. Veillez à fermer le couvercle du compartiment à disque après avoir introduit ou éjecté un MD.

#### A propos des piles

Une utilisation incorrecte des piles peut entraîner une fuite ou une explosion de celles-ci. Veuillez observer les précautions suivantes:

- Introduisez les piles en respectant la polarité (+ et -).
- Ne chargez pas des piles sèches.
- Si vous prévoyez de ne pas utiliser le lecteur pendant un laps de temps prolongé, retirez les piles.
- En cas de fuite des piles, nettoyez le liquide répandu dans le compartiment à piles avant d'introduire de nouvelles piles.

#### Bruits mécaniques

Le lecteur produit des bruits mécaniques en cours de fonctionnement. Ce bruit est provoqué par le système d'économie d'énergie du lecteur et n'est pas le signe d'une défectuosité.

#### Guide de dépannage

Si votre problème persiste après avoir procédé aux vérifications ci-dessous, contactez votre concessionnaire Sony le plus proche.

**Le lecteur ne fonctionne pas ou fonctionne mal.**

- Vous avez essayé d'entamer la lecture alors qu'il n'y a pas de disque dans le lecteur ("No DISC" clignote)
  - Introduisez un MD.
- Le lecteur est verrouillé.
  - Faites glisser HOLD dans le sens contraire de la flèche pour débloquer le lecteur.
- De la condensation s'est formée dans le lecteur.
  - Retirez le MD et laissez reposer le lecteur pendant plusieurs heures dans un endroit chaud jusqu'à ce que l'humidité s'évapore.
- La pile rechargeable ou les piles sèches sont faibles ( ou "LoBATT" clignote).
  - Remplacez les piles sèches ou rechargez la pile la batterie.
- La batterie rechargeable ou la pile sèche a été installée incorrectement.
  - Installez correctement les piles.
- Un MD vierge est inséré ("BLANK" clignote)
  - Insérez un MD enregistré.
- Le lecteur ne parvient pas à lire le disque (il est griffé ou encrassé) ("ERROR" clignote).
  - Reinsérez ou remplacez le disque.
- En cours de fonctionnement, le lecteur a été soumis à un choc mécanique, un excès d'électricité statique, une surtension provoquée par la foudre, etc.
  - Relancez l'appareil comme suit.
    - Débranchez toutes les sources d'alimentation.
    - Laissez le lecteur reposer pendant 30 secondes.
    - Raccordez la source d'alimentation.

**Sorties**
Écouteurs : minifiche stéréo, niveau de sortie maximal 5 mW + 5 mW, impédance de charge 16 ohms

#### Caractéristiques générales

**Alimentation**

Batterie rechargeable nickel-cadmium NC-6WM (fournie)
Une pile LR6 (AA) (non fourni)
Adaptateur secteur Sony AC-E15L<sup>1)</sup> (non fourni)
raccordé à la prise DC IN 1.5 V

**Autonomie des piles**
Voir "Remplacement ou charge des piles"
**Dimensions**
Approx. 80 x 18,5 x 104 mm (l/h/p) (3 1/4 x 3 3/4 x 4 1/4 pouces), parties saillantes et commandes non comprises

**Poids**
Env. 160 g (5,6 on.), lecteur uniquement
Env. 200 g (7,1 oz) avec un MD préenregistré et une batterie rechargeable nickel-cadmium NC-6WM
**Accessoires fournis**
Chargeur de pile (1)
Batterie rechargeable (1) : NC-6WM, 1.2 V, 600 mAh, Ni-Cd
Boîtier de transport de pile rechargeable (1)

**Écouteurs à télécommande intégrée** (1)
**Housse de transport** (1)
**Coussinets protège-oreille** (2) (Sauf modèle pour les Etats-Unis)

#### Accessoires en option

Adaptateur secteur AC-E15L<sup>1)</sup>
Haut-parleurs actifs Sony SRS-A41
Étui de transport pour MiniDisque CK-MD4
Boîte d'archivage pour MiniDisques CK-MD10

**Pour les utilisateurs en France**

En cas de remplacement du casque/écouteurs, référez-vous au modèle de casque/écouteurs adaptés à votre appareil et indiqué ci-dessous. MDR-EB38SP

**Des blancs se produisent en cours de lecture.**

- Le lecteur est soumis à des vibrations continues.
  - Placez le lecteur à un endroit stable. Une plage très courte peut générer des blancs.

**Le son est fortement brouillé.**

- L'appareil subit de fortes interférences provenant d'un téléviseur ou d'un appareil similaire.
  - Éloignez l'appareil de la source des interférences.

Lecteur MiniDisc

**La charge de la batterie ne démarre pas. (Dans le cas du chargeur avec couvercle)**

- Le couvercle du chargeur de batterie n'est pas bien fermé.
- Refermez le couvercle et faites glisser le commutateur dessus.

Lecteur MiniDisc

- L'écouteurs ne produit aucun son.**
  - La fiche des écouteurs n'est pas correctement insérée.
    - Enfoncez la fiche des écouteurs fermement dans la télécommande. Enfoncez la fiche de la télécommande fermement dans ◁/REMOTE.
  - Le volume est trop faible.
    - Réglez le volume à l'aide de la touche VOLUME +/-.
- La fonction AVLS est activée.
  - Réglez AVLS sur NORM.

#### Spécifications

#### Système

Système de lecture audio

Système audio numérique MiniDisc

Caractéristiques des diodes à laser

Matériau : GaAlAs

Longueur d'onde : λ = 790 nm

Durée d'émission : continue

Puissance de sortie laser : moins de 44,6 μW\*

\* Cette puissance est la valeur mesurée à une distance de 200 mm de la surface de la lentille de l'objectif du bloc optique avec une ouverture de 7 mm.

Vitesse de rotation

400 tr/min à 900 tr/min (CLV)

Correction d'erreur

Advanced Cross Interleave Reed Solomon Code (ACIRC)

Fréquence d'échantillonnage

44,1 kHz

Codage

Adaptive Transform Acoustic Coding (ATRAC)

Système de modulation

EFM (Eight to Fourteen Modulation)

Nombre de canaux

2 canaux stéréo

1 canal mono

Réponse en fréquence

20 à 20.000 Hz ± 3 dB

**Pleurage et scintillement**

En dessous de la limite mesurable

**Sorties**
Écouteurs : minifiche stéréo, niveau de sortie maximal 5 mW + 5 mW, impédance de charge 16 ohms

#### Caractéristiques générales

**Alimentation**

Batterie rechargeable nickel-cadmium NC-6WM (fournie)
Une pile LR6 (AA) (non fourni)
Adaptateur secteur Sony AC-E15L<sup>1)</sup> (non fourni)
raccordé à la prise DC IN 1.5 V

#### Autonomie des piles

Voir "Remplacement ou charge des piles"
**Dimensions**
Approx. 80 x 18,5 x 104 mm (l/h/p) (3 1/4 x 3 3/4 x 4 1/4 pouces), parties saillantes et commandes non comprises

**Poids**
Env. 160 g (5,6 on.), lecteur uniquement
Env. 200 g (7,1 oz) avec un MD préenregistré et une batterie rechargeable nickel-cadmium NC-6WM
**Accessoires fournis**
Chargeur de pile (1)
Batterie rechargeable (1) : NC-6WM, 1.2 V, 600 mAh, Ni-Cd
Boîtier de transport de pile rechargeable (1)

**Écouteurs à télécommande intégrée** (1)

**Housse de transport** (1)

**Coussinets protège-oreille** (2) (Sauf modèle pour les Etats-Unis)

#### Accessoires en option

Adaptateur secteur AC-E15L<sup>1)</sup>
Haut-parleurs actifs Sony SRS-A41
Étui de transport pour MiniDisque CK-MD4
Boîte d'archivage pour MiniDisques CK-MD10

**Pour les utilisateurs en France**

En cas de remplacement du casque/écouteurs, référez-vous au modèle de casque/écouteurs adaptés à votre appareil et indiqué ci-dessous. MDR-EB38SP

**Des blancs se produisent en cours de lecture.**

- Le lecteur est soumis à des vibrations continues.