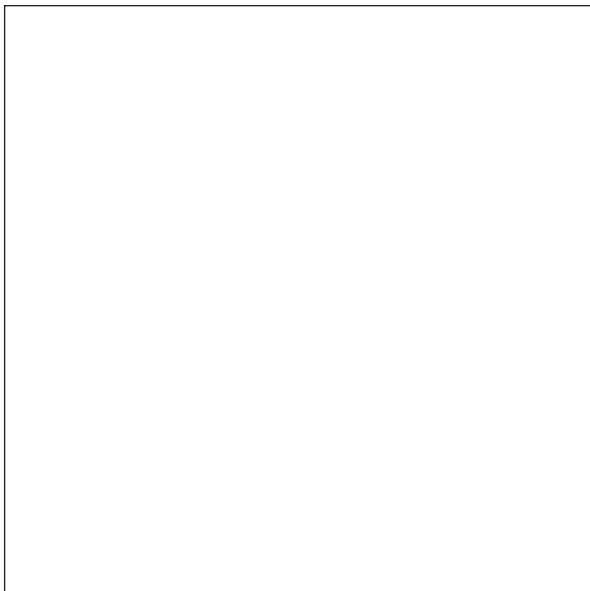


KL-37W1K
KL-50W1K



LCD Projection TV

Getting Started

GB

Operating Instructions

GB

Uvedení do provozu

CZ

Funkce

CZ

Przed rozpoczęciem

PL

Instrukcja obsługi

PL

A későz, lÉk
zembéhelyezÉse
Hasn-lati ÁtmutatÓ

H

H

çt~†ÍÓ

BG

àìÒÚ Úí^ÈÈ Á†
ÁíÒÓíÓ†Ú†^Èfl

BG

èÓ%„ÓÚÓ,Í† Í
~íÒÓíÚ†Ú†^ÈÈ

RF

àìÒÚ Úí^Èfl ÓÓ
~íÒÓíÚ†Ú†^ÈÈ

RF

WARNING

To prevent fire or shock hazard, do not expose the unit to rain or moisture.

Dangerously high voltages are present inside the set. Do not open the cabinet. Refer servicing to qualified personnel only.

Safety Information

All TVs operate on extremely high voltages. To prevent fire or electric shock, please follow the safety procedures below. For your protection, refer all servicing to qualified personnel only.

For general safety:

- Do not expose the TV to rain or moisture.
- Do not open the rear cover.

For safe operations:

- Do not operate the TV on any other voltages, but 220–240 V AC.
- Do not operate the TV if any liquid or solid object falls in it - have it checked immediately.
- Do not keep the set plugged in if you are not going to use it for several days.
- Do not pull on the power cord to disconnect the TV. Pull it out by the plug.
- Do not place anything on the surface of the front panel cover when you open it.

Important Information

Please read the following information on using and maintaining the TV, for optimum viewing quality.

Picture Quality

- Avoid touching the screen, and take care not to scratch the surface with hard objects.

Illumination

To obtain a clear picture, do not expose the screen to direct illumination or direct sunlight. If possible, use spot lighting directed down from the ceiling.

Installation

- To prevent over heating of the set, do not block the ventilation openings.
- Do not install the TV in a hot or humid place, or in a place subject to direct sunlight, excessive dust or mechanical vibration.
- After transporting the TV directly from a cold to a warm location, or if the room temperature has changed suddenly, pictures may be blurred or show poor colour over portions of the picture. This is because moisture has condensed on the mirrors or lenses inside the TV. Let the moisture evaporate before using the TV.

Maintenance

- Save the original shipping carton and packing material to use if you ever have to ship your TV. For maximum protection, repack your TV as it was originally packed at the factory.
- To keep the cabinet looking brand-new, periodically clean it with a soft cloth. Stubborn stains may be removed with a cloth slightly dampened with a mild detergent solution. Never use strong solvents such as thinner or benzene, or abrasive cleaners since these will damage the cabinet. As a safety precaution, unplug the TV before cleaning it.
- To remove dust from the front of the screen, unplug the TV and wipe gently with a soft cloth lightly dampened with water or a mild detergent solution, using vertical strokes only. Then wipe it with a dry, soft cloth. Never use solvents or thinners for cleaning purposes.
- If the picture turns dark after the TV has been in use for a long period of time, it may be necessary to clean the inside of the TV. Consult qualified service personnel for this.

Contents

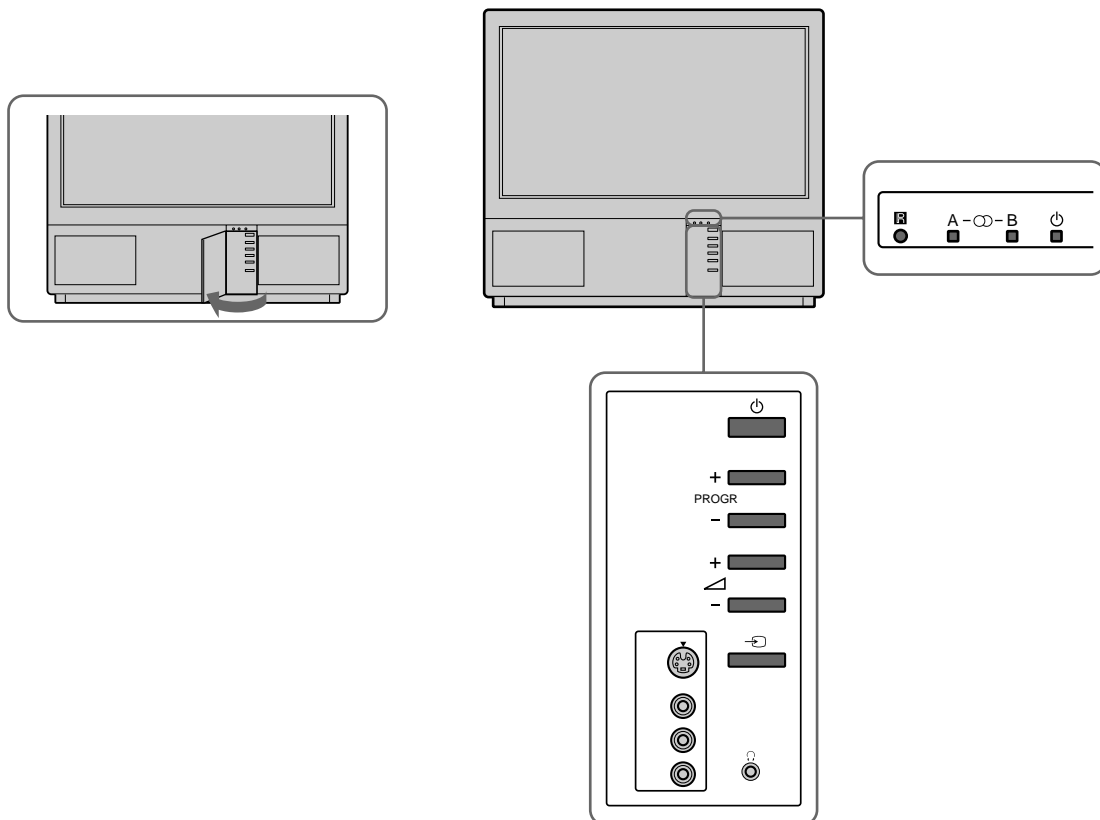
Overview	4
Getting Started	6
Step 1 Preparation	6
Check the supplied accessories	6
Insert the battery into the Remote Commander	6
Connect the aerial	6
Step 2 Tuning in to TV Stations	7
Choose a language	7
Display the menu	7
Preset Channels automatically	8
Preset Channels manually	9
Additional Presetting Functions	10
Sorting Programme Positions	10
Using "Further Programme Preset"	11
Skipping Programme Positions	12
Captioning a Station Name	12
Parental Lock	13
Tuning in a Channel Temporarily	13
Operating Instructions	14
Watching the TV	14
Switching the TV on and off	14
Selecting TV Programmes	14
Adjusting the Volume	14
Operating the TV Using the Buttons on the TV	14
Watching Teletext or Video Input	15
More Convenient Functions	15
Adjusting and Setting the TV Using the Menu	16
Adjusting the Picture and Sound	16
Graphic Equalizer	17
Using the Sleep Timer	17
PAP (Picture and Picture)	18
Operating Screen Mode/PAP Using the Menu	19
Auto Format	19
Teletext	20
Direct Access Functions	20
Using the Teletext Menu	21
User Page Bank System	22
Connecting and Operating Optional Equipment	23
Connecting Optional Equipment	23
Selecting Input and Output	24
Using AV Preset	25
Remote Control of Other Sony Equipment	26
For Your Information	27
Optimum Viewing Area	27
Cleaning of the Air Filter	28
Replacing the Lamp	29
Troubleshooting	30
Specifications	30
Warning Indicators	31
Stabilizing the Projection TV	31

Getting Started	GB
Operating Instructions	GB

Overview

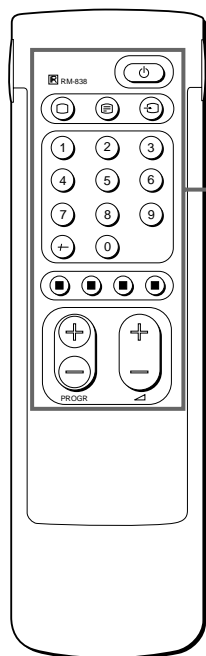
This section briefly describes the buttons and controls on the TV set and on the Remote Commander. For more information, refer to the pages given next to each description.

TV set-front



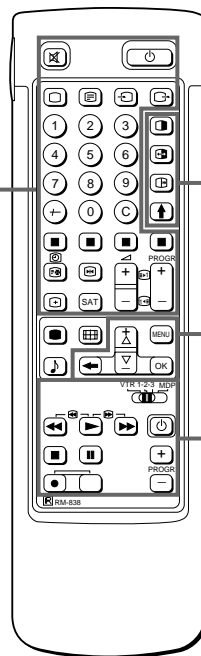
Symbol	Name	Refer to page
⏻	Main power switch	14
⏻	Standby indicator	14
A - μ - B	Stereo A/B indicators	16
PROGR +/-	Programme	14
Δ +/-	Volume buttons	14
↺ ↻ ↷	Input select buttons	15
λ	Headphones jack	23
Ⓜ 3, Ⓜ 3, Ⓜ 3	Input jacks (S video/video/audio)	24

Remote commander



Simple side

TV/Teletext operation



Full-Function side

PAP operation

Menu operation

Video operation

Note

The SAT button does not operate with this TV.

TV/Teletext operation

Symbol	Name	Refer to page
o	Mute on/off button	15
φ	Standby button	14
O	TV power on/TV mode selector button	14
-	Teletext button	15
↶	Input mode selector	15
↷	Output mode selector	24
1,2,3,4,5,6,7,8,9 and 0	Number buttons	14
-/-	Double-digit entering button	14
C	Direct channel entering button	10
Δ+/-	Volume control button	14
PROGR +/-	Programme selectors	14
Ⓜ 143	Teletext page access buttons	20
●	Picture adjustment button	16
♪	Sound adjustment button	16
☰	On-screen display button	15
[Teletext hold button	20
#	Time display button	15
ΛΛΛΛ	Fasttext buttons	20
⏸	"Freeze" button	15
⏏	Button to change Screen Format	15

PAP (Picture-and-picture) operation

Symbol	Name	Refer to page
⏸	PAP on/off button	18
X	PAP source selector	18
↔	Swap button	18
⏸	PAP freeze button	18

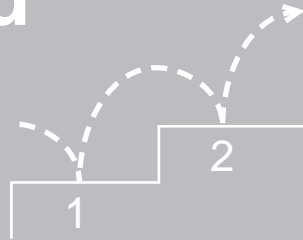
Menu operation

Symbol	Name	Refer to page
MENU	Menu on/off button	7
>+/?-	Select buttons	7
OK	OK(confirming)button	7
≡	Back button	7

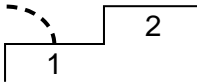
Video operation

Symbol	Name	Refer to page
VTR1/2/3, MDP	Video equipment selector	26
:: - :: Δ	Video equipment operation buttons	26
Ⓜ α φ	buttons	
PROGR +/-		

Getting Started



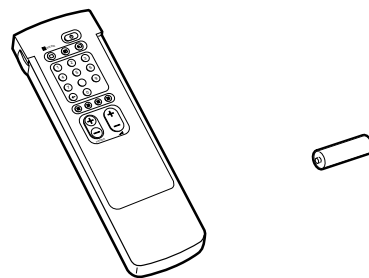
Step 1 Preparation



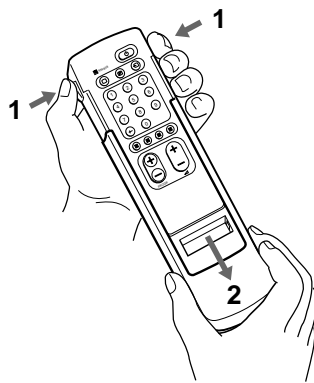
1 Check the supplied accessories

When you've taken everything out of the carton, check that you have these items:

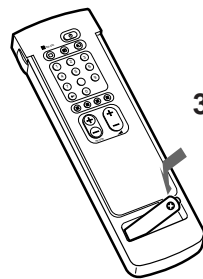
- RM-838 Remote Commander
- One IEC designation R6 battery
- Lamp (1)
- Wrench (1)
- Bracket (2)



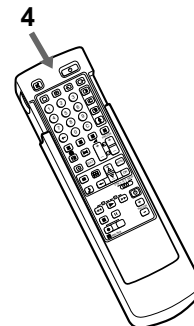
2 Insert the battery into the Remote Commander



Remove the cover.



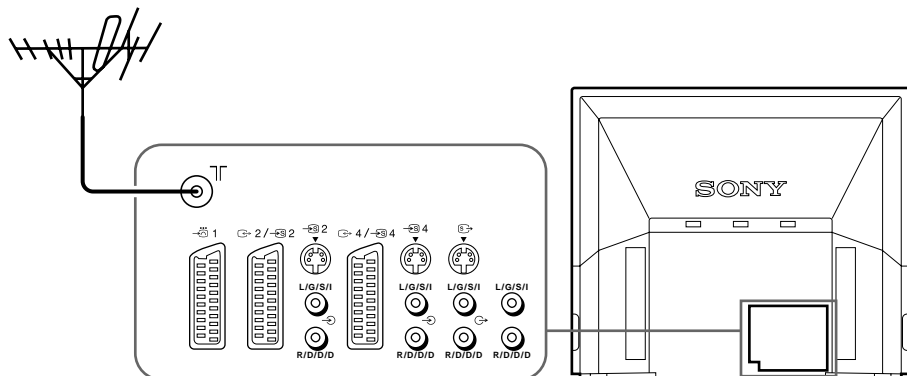
Check the correct polarities.



Refit the outside cover making sure that the Full-Function side is visible to use the menu in step 2.

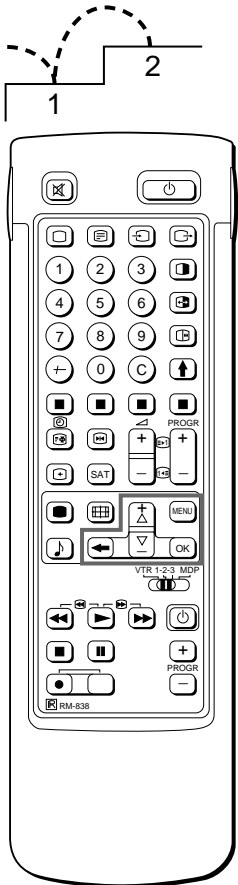
Note: Always remember to dispose of used batteries in an environmental friendly way.

3 Connect the aerial



Fit an IEC aerial connector attached to 75-ohm coaxial cable (not supplied) to the) socket at the rear of the TV.

Step 2 Tuning in to TV Stations



Once you have set up the TV, you can choose the language of the menu. Then, you should preset the channels (up to 100 channels) by choosing either the automatic or manual method. The automatic method is easier if you want to preset all receivable channels at once. Use the manual method if you only have a few channels and want to preset channels one by one.

Before you begin

- Check that the Full-Function side of the Remote Commander is visible.
- Locate Menu operation buttons on the Remote Commander. They are shaded in the illustration at the left.

1 Choose a language

- 1 Press ϕ on the TV.
The TV will switch on. If the standby indicator on the TV is lit, press O or a number button on the Remote Commander.
- 2 Press the MENU button.
The LANGUAGE menu appears. (See Fig. 1.)



- 3 Select the language you want with > + or ? – and press OK.

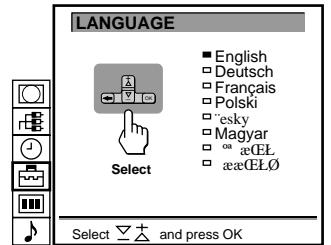
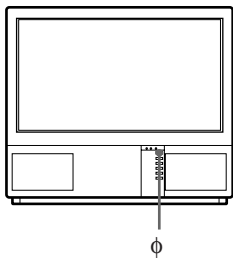



Fig. 1



2 Display the menu

Press MENU.
The main menu appears. (See Fig. 2.)
Using > + or ? – select the symbol  and press OK.
Now, choose one of the methods described overleaf:

“Preset Channels Automatically”

or

“Preset Channels Manually”

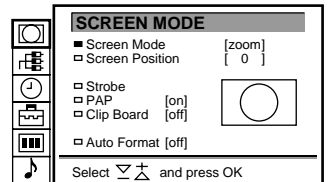


Fig. 2

To go back to main menu

Keep pressing \equiv .

To go back to the normal TV picture


Press MENU. Normal TV picture will be restored after one minute if menu functions are not selected.

Note on the Demo function

If you choose Demo in the Installation menu, you can see a sequential demonstration of the menu functions.

Press MENU to stop the function.


3 Preset channels automatically

- 1 Select the symbol  for "Preset" with >+ or ?- and press OK. The PRESET menu appears. (See Fig. 3.)
- 2 Select "Auto Programme" with >+ or ?- and press OK. The AUTO PROGRAMME menu appears. (See Fig. 4.)
- 3 Press OK.
Select if necessary the TV broadcast system (B/G for Western European or D/K for Eastern European countries) with >+ or ?- and press OK. The first element of the "PROG" number will be highlighted.
- 4 Select the programme (number button) from which you want to start presetting. Select the first element of the double-digit number with >+ or ?- or the number buttons (e.g., For "04," select "0" here) and press OK.
The second element of "PROG" will be highlighted.
- 5 Select the second element of the double-digit number with >+ or ?- or the number buttons (e.g., For "04," select "4" here) (See Fig. 5) and press OK.
- 6 Select "C" or "S" with >+ or ?- and press OK.
The automatic channel presetting starts.
When presetting is finished, the preset menu reappears. All available channels are now stored on successive number buttons. Press menu to restore normal TV picture.

To go back to the main menu

Keep pressing .

To stop automatic channel presetting

Press  on the Remote Commander.

Notes

- After presetting the channels automatically, you can check which channels are stored on which programme positions. For details, see "Displaying the Programme Table" on page 15.
- You can sort the programme positions to have them appear on screen in the order you like. For details, see "Sorting Programme Positions" on page 10.

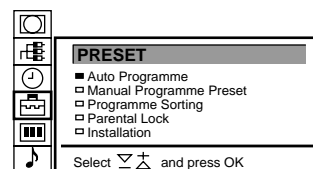


Fig. 3

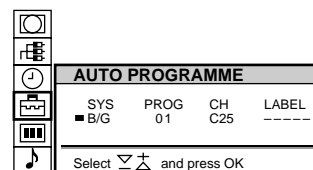


Fig. 4



Fig. 5

Use this method if there are only a few channels in your area to preset or if you want to preset channels one by one. You may also allocate programme numbers to various video input sources.

If you have made a mistake

Press \equiv to go back to the previous position.


To return to the main menu

Keep pressing \equiv .

To go back to the normal TV picture

Press MENU.

3 Preset channels manually

- 1 Select the symbol  for "Preset" with $\>+$ or $?-$ and press OK. The PRESET menu appears. (See Fig. 6.)
- 2 Select "Manual Programme Preset" with $\>+$ or $?-$ and press OK. The MANUAL PROGRAMME PRESET menu appears. (See Fig. 7.)
- 3 Using $\>+$ or $?-$, select the programme position (number button) to which you want to preset a channel, and press OK.
- 4 Select, if necessary the TV broadcast system or a video input source (EXT) with $\>+$ or $?-$.
- 5 Then press OK. The CH position will be highlighted. (See Fig. 8.)
- 6 Using $\>+$ or $?-$, select C (to preset a regular channel), S (cable channel) or F (to tune in by frequency) and press OK. The first element of the "CH" number will be highlighted. If you have selected EXT in step 5, select the video input source with $\>+$ or $?-$. (See Fig. 9.)

There are two ways to preset channels, If you know the channel number, go to step "7-Manual,"

or
If you don't know the channel number, go to step "7-Search."

7 Manual

- a Select the first element of the "CH" number with $\>+$ or $?-$ or the number buttons and press OK. The second element of the "CH" number will be highlighted.
- b Select the second element of the number with $\>+$ or $?-$ or the number buttons. The selected number appears. (See Fig. 10.)
- c Press OK. The "SEARCH" position is highlighted and the selected channel is now stored. (See Fig. 11.)
- d Press OK until the cursor appears by the next programme position.
- e Repeat steps 3 to 7 to preset other channels.

7 Search

- a Press OK repeatedly until the colour of the SEARCH position changes.
- b Start searching for the channel with $\>+$ (up) or $?-$ (down). The CH position changes colour. (See Fig. 12.) The CH number starts counting up or downwards. When a channel is found, it stops. (See Fig. 13.)
- c Press OK if you want to store this channel. If not, press $\>+$ or $?-$ to continue channel searching.
- d Press OK until the cursor appears by the next programme position.
- e Repeat steps 3 to 7 to preset other channels.

To tune in a channel by frequency

After selecting F in step 6, enter three digits using the number buttons.

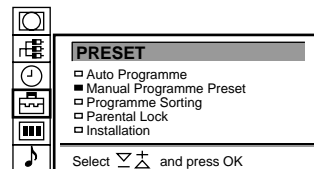


Fig. 6

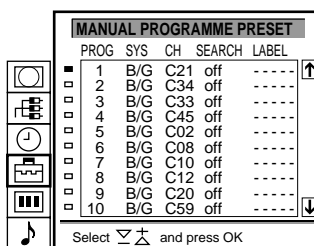


Fig. 7



Fig. 8

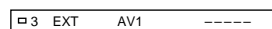


Fig. 9

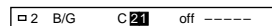


Fig. 10

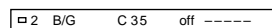


Fig. 11

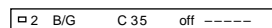


Fig. 12

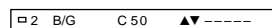
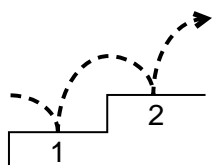


Fig. 13

Additional Presetting Functions




This section shows you additional presetting functions such as sorting or skipping programme positions, captioning a station name, manual fine-tuning, and using the parental lock.

Before you begin

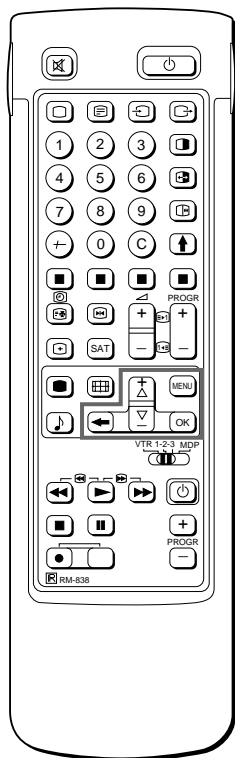
- Check that the Full Function side of the Remote Commander is visible.
- Locate the Menu operation buttons.

Sorting Programme Positions

With this function, you can sort the programme positions to a preferable order.

- 1 Press MENU to display the main menu.
- 2 Select the symbol  for "Preset" with >+ or ?- and press OK. The PRESET menu appears.
- 3 Select "Programme Sorting" with >+ or ?- and press OK. The PROGRAMME SORTING menu appears. (See Fig. 14.)
- 4 Using >+ or ?-, select the programme position you want to move to another and press OK. The colour of the selected position changes. (See Fig. 15.)
- 5 Using >+ or ?-, select the programme position to which you want to move the channel of the programme position selected in step 4 and press OK. Now the programme positions have been sorted. (See Fig. 16.)
- 6 Repeat steps 4 and 5 to sort other programme positions.

PROGRAMME SORTING



PROGRAMME SORTING		
PROG	CH	LABEL
1	C03	BBC 2
2	C04	ITV
3	C07	MBC
4	C09	-----
5	C12	-----
6	C13	-----
7	C14	-----
8	C15	BBC 1

Move PR 8 to PR --

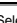

Select   and press OK

Fig. 14

■ 8	C15	BBC1
-----	-----	------

Fig. 15

PROGRAMME SORTING		
PROG	CH	LABEL
1	C15	BBC 1
2	C03	BBC 2
3	C04	ITV
4	C07	MBC
5	C09	-----
6	C12	-----
7	C13	-----
8	C14	-----

Move PR 1 to PR --




Select   and press OK

Fig. 16

For higher programme positions

The display scrolls automatically.

If you have made a mistake

Press  to go back to the previous position.

To go back to main menu

Keep pressing .


To go back to the normal TV picture

Press MENU.

Using “Further Programme Preset”

Using the menu “further Programme Preset” you can

- a) in case of a strong local aerial signal (striped picture) attenuate the signal individually for each programme position (RF attenuator).
- b) individually adjust and store the volume level of each channel (Volume offset).
- c) in case of a strong sound signal (distorted sound), attenuate the sound signal for each programme position.
- d) use the manual fine tuning to obtain a better picture reception, if the picture is distorted. Normally the AFT (automatic fine tuning) is operating.

- 1 Press MENU to display the main menu.
- 2 Select the symbol  for “Preset” with >+ or ?- and press OK. The PRESET menu appears.
- 3 Select “Installation” with >+ or ?- and press OK. The INSTALLATION menu appears.
- 4 Select “Further Programme Preset” with >+ or ?- and press OK. The FURTHER PROGRAMME PRESET menu appears (See Fig. 17).
- 5 Using >+ or ?- select the desired programme position and press OK once to select a) “ATT” (RF Attenuator), twice to select b) “VOL” (Volume offset), three times to select c) “IN-AMP” (Input Amplifier) or four times to select d) AFT (Automatic Fine Tuning). The selected item changes colour.

To adjust or change:

a) RF attenuator (ATT)

Using >+ or ?- select “On” for the selected programme position. Press OK to confirm the selection. Repeat step 5 to attenuate other programme positions.

b) Volume offset (VOL)

Using >+ or ?- you can adjust the volume level for the selected programme position within a range form -7 to +7. Press OK to store the volume level. Repeat step 5 to set the volume level for other programme positions.

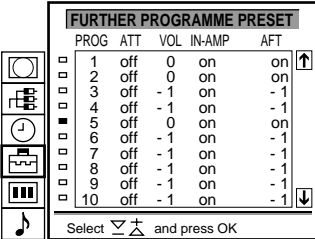
c) IN-AMP (input amplifier)

Using >+ or ?- select “Off” for the selected programme position. Press OK to confirm the selection. Repeat step 5 to switch off the input amplifier for other programme positions.

d) AFT

Using >+ or ?- you can fine-tune the channel within a range from -15 to +15. Press OK to store the fine-tuned level. Repeat step 5 to fine-tune the other channels.

- 6 Press MENU to return to the normal TV mode.



PROG	ATT	VOL	IN-AMP	AFT
1	off	0	on	on
2	off	0	on	on
3	off	-1	on	-1
4	off	-1	on	-1
5	off	0	on	on
6	off	-1	on	-1
7	off	-1	on	-1
8	off	-1	on	-1
9	off	-1	on	-1
10	off	-1	on	-1


Select  and press OK

Fig. 17


To reactivate AFT (Automatic Fine Tuning)

Repeat from the beginning and select “ON” in step 5.


MANUAL PROGRAMME PRESET

Skipping Programme Positions

You can skip unused programme positions when selecting programmes with PROGR +/- buttons. However, the skipped programmes may still be called up when you use the number buttons.

- 1 Press MENU to display the main menu.
- 2 Select the symbol  for "Preset" with >+ or ?- and press OK. The PRESET menu appears.
- 3 Select "Manual Programme Preset" with >+ or ?- and press OK. The MANUAL PROGRAMME PRESET menu appears. (See Fig. 18.)
- 4 Using >+ or ?-, select the programme position which you want to skip and press OK. The "SYS" position changes colour.
- 5 Press >+ or ?- until "--" appears in the SYSTEM position. (See Fig. 19.)
- 6 Press OK. (See Fig. 20.)
When you select programmes using the PROGR +/- buttons, the programme position will be skipped.
- 7 Repeat steps 4 to 6 to skip other programme positions.

If you have made a mistake

Press  to go back to the previous position.

To go back to main menu

Keep pressing .

To go back to the normal TV picture

Press MENU.

PROGR

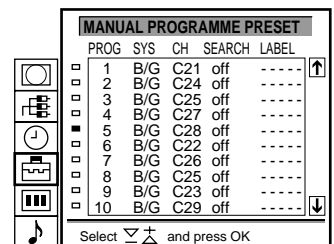


Fig. 18

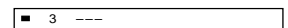


Fig. 19

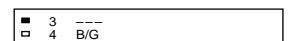



Fig. 20

Captioning a Station Name

Programme names are usually automatically taken from Teletext if available. You can also "name" a channel or an input video source using up to five characters (letters or numbers) to be displayed on the TV screen (e.g. BBC1). Using this function, you can easily identify which channel or video source you are watching.

- 1 Press MENU to display the main menu.
- 2 Select the symbol  for "Preset" with >+ or ?- and press OK. The PRESET menu appears.
- 3 Select "Manual Programme Preset" with >+ or ?- and press OK. The MANUAL PROGRAMME PRESET menu appears. (See Fig. 21.)
- 4 Using >+ or ?-, select the programme position you want to caption and press OK repeatedly until the first element of the LABEL position is highlighted.
- 5 Select a letter or number with >+ or ?- and press OK. The next element will be highlighted.
Select other characters in the same way. If you want to leave an element blank, select - and press OK. (See Fig. 22.)
- 6 After selecting all the characters, press OK repeatedly until the cursor appears by the next programme position (at the left margin). Now the caption you chose is stored. (See Fig. 23.)
- 7 Repeat steps 5 and 6 to caption names for other channels.

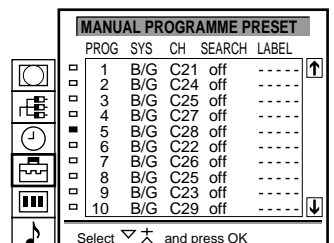


Fig. 21

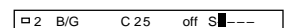


Fig. 22

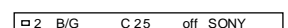


Fig. 23



MANUAL PROGRAMME PRESET

PARENTAL LOCK


If you try to select a programme that has been blocked
The message "LOCKED" appears on the blank TV screen.

Parental Lock

You can prevent undesirable broadcasts from appearing on the screen. We suggest you use this function to prevent children from watching programmes which you consider unsuitable.

- 1 Press MENU to display the main menu.
- 2 Select the symbol  for "Preset" with >+ or ?- and press OK. The PRESET menu appears.
- 3 Select "Parental Lock" with >+ or ?- and press OK. The PARENTAL LOCK menu appears. (See Fig. 24.)
- 4 Using >+ or ?-, select the programme position you want to block and press OK. The symbol  appears in front of the programme number indicating that this programme is now blocked. (See Fig. 25.)
- 5 Repeat step 4 to block other programme positions.

Cancelling blocking

- 1 On the PARENTAL LOCK menu, select the programme position you want to unblock with >+ or ?-.
- 2 Press OK. The symbol  disappears indicating that the blocking has been cancelled.

Tuning in a Channel Temporarily

You can tune in to a channel temporarily, even when it has not been preset. Use the buttons on the Full-Function side of the Remote Commander.

- 1 Press C on the Remote Commander. For cable channels, press C twice. The indication "C" ("S" for cable channels) appears on the screen. (See Fig. 26.)
- 2 Enter the double-digit channel number using the number buttons (e.g. for channel 4, first press 0, then 4). The channel appears. However, the channel will not be stored.

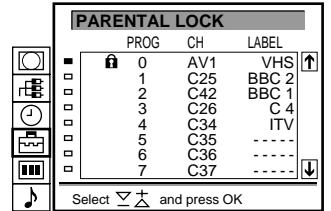


Fig. 24



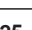

PROG	CH	LABEL
	0	AV1 VHS
	1	C25 BBC 2
	2	C42 BBC 1
	3	C26 C 4

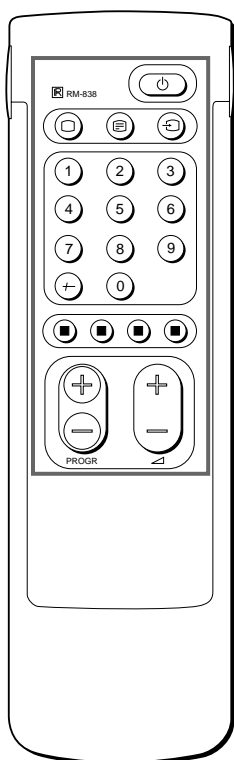
Fig. 25



Fig. 26

Operating Instructions

Watching the TV



If no picture appears when you depress ϕ on the TV and if the standby indicator on the TV is lit, the TV is in standby mode.

Press O or one of the number buttons to switch it on.

This section explains the basic functions you use while watching TV. Most of the operations can be done using the simple side of the Remote Commander.

Switching the TV on and off

Switching on

Depress ϕ on the TV.

Switching off temporarily

Press ϕ on the Remote Commander.

The TV enters standby mode and the standby indicator on the front of the TV lights up in red.

To switch on again

Press O, PROGR +/-, or one of the number buttons on the Remote Commander.

Switching off completely

Depress ϕ on the TV and indicator on the front of the TV lights up in amber.

Selecting TV Programmes

Press PROGR +/- or press the number buttons.

To select a double-digit number

Press -/-, then the numbers.

For example, If you want to choose 23, press -/-, 2 and 3.

Adjusting the Volume

Press Δ +/-.

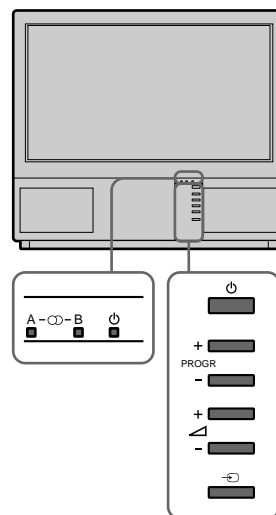
Operating the TV Using the Buttons on the TV

To select the programme number, press the PROGR +/- buttons.

To adjust the volume, press the Δ +/- buttons.

To select the video input picture, press the $\text{---}\square\text{---}$ button.

To reset picture and sound controls to the factory preset level (RESET function), press PROGR +/- buttons simultaneously.



Watching Teletext or Video Input

Watching teletext

- 1 Press **_** to view the teletext.
- 2 For teletext operation, enter a 3-digit page number with the number buttons to select a page.
For fastext operation, press one of the coloured buttons.
For both operations, press **ç** (PAGE +) for the next page or **Y** (PAGE -) for the preceding page.
- 3 To go back to the normal TV picture, press **O**.

Watching a video input picture

- 1 Press **↺** repeatedly until the desired video input appears.
- 2 To go back to the normal TV picture, press **O**.

More Convenient Functions

Use the Full-Function side of the Remote Commander.

Displaying the on screen indications

- Press **≡** once to display all the indications. They will disappear after a few seconds.
- Press **≡** twice to have the programme number and label stay on screen. Press twice again to make the indications disappear.

Muting the sound

Press **o**.
To resume normal sound, press **o** again.

Displaying the time

Press **#**. This function is available only when teletext is broadcast.
To make the time display disappear, press **#** again.

Displaying the Programme Table

Press **OK**. A Programme Table will be displayed on the left side of the TV screen. (See Fig. 27.)

Selecting TV programmes

Press **PROGR +/-** or select the desired programme position using **>+** or **?-** and press **OK**.

To make the Programme Table disappear, press **MENU**.

Freezing the Picture

When watching the TV you have the possibility to “freeze” the picture. Press **⏸**. Press the button again to return to the normal TV picture.

Changing the Screen format

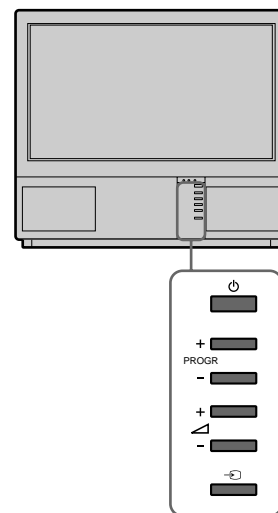
Press **⏏** repeatedly to change the Screen mode as follows:

4:3 (4:3 picture)

- A Smart (imitation of 16:9 for 4:3 broadcast)
- A Zoom (imitation of 16:9 for movies broadcast in cinemascopic format)

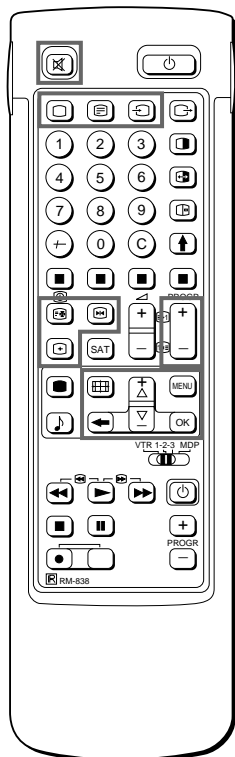
or

- A Wide (for 16:9 broadcast).
- See also page 19 for more information.



For details of the teletext operation, refer to page 20.

For details of the video input picture, refer to page 24.



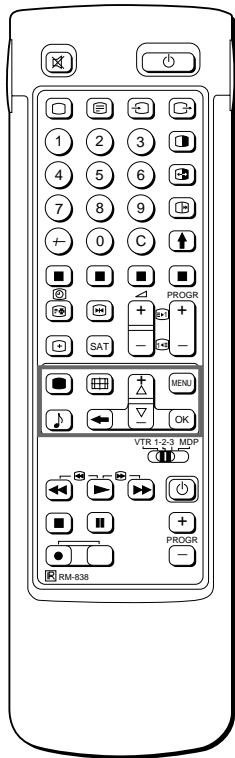
1	BBC	↑
2	SAT	
3	TV5	
4	C02	
5	C15	
6	RTL	
7	SKY	
8	S34	
9	AV1	
10	MTV	↓

Fig. 27

Adjusting and Setting the TV Using the Menu

PICTURE CONTROL

SOUND CONTROL



If you have made a mistake

Press \equiv to go back to the previous position.

To go back to the main menu

Keep pressing \equiv .

Notes

- HUE is only available for NTSC colour systems.
- Hall Surround is not available via headphones.

Note on LINE OUT

The audio level and the dual sound mode output from the > jack on the rear correspond to the HEADPHONES VOLUME and DUAL SOUND settings.

When watching a video input source with stereo sound

You can select DUAL SOUND to change the sound.

Adjusting the Picture and Sound

Although the picture and sound are adjusted at the factory, you can adjust them to suit your own taste. You can also select dual sound (bilingual) programmes when available or adjust the sound for listening with the headphones. Also you have the possibility to adjust the sound to your individual taste using the Graphic Equalizer and special Sound effects.

- 1 Press \blacksquare (for picture) or ♪ (for sound) on the Remote Commander.
or
Press MENU and select the symbol |||| for Picture Control or ♪ for Sound Control, then press OK.
The PICTURE CONTROL or SOUND CONTROL menu appears. (See Fig. 28 or Fig. 29.)
- 2 Using >+ or ?- , select the item you want to adjust and press OK.
The selected item changes colour. (See Fig. 30.)
- 3 Adjust the setting with >+ or ?- and press OK.
The cursor appears beside the next item (at the left margin). (See Fig. 31.)
For the effect of each control, see the table below.
- 4 Repeat steps 2 and 3 to adjust other items.
- 5 Press MENU to return to TV picture.

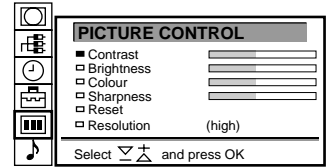


Fig. 28

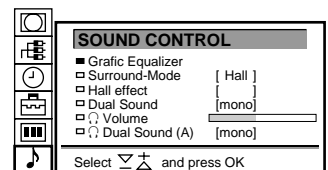


Fig. 29



Fig. 30



Fig. 31

Effect of each control

PICTURE CONTROL	Effect
Contrast	Less ----- ----- More
Brightness	Darker ----- ----- Brighter
Colour	Less ----- ----- More
Hue	Greenish ----- ----- Reddish
Sharpness	Softer ----- ----- Sharper
RESET	Resets picture to the factory preset levels.
Resolution	Normal high: obtain a high quality picture

SOUND CONTROL	Effect
Graphic Equalizer	(See page 17 for more information)
Surround Mode	Off: Normal \rightarrow Dolby \rightarrow Hall \uparrow \longleftarrow
Hall Effect (only if "Hall" is on)	Choice between different hall effects Room \rightarrow Dome \rightarrow Arena \uparrow \longleftarrow
Dual Sound	A: left channel B: right channel Stereo Mono The selected mode of the A- μ -B indicator on the TV lights up.
Headphones: Volume	Less ----- ----- More
Dual Sound	A: channel 1 \rightarrow B: channel 2 \rightarrow PAP (if PAP is switched on you can select the PAP sound for the headphones) Stereo \rightarrow Mono

Graphic Equalizer

Using this function you can individually adjust the sound by cutting and boosting selected frequencies. You can also select between the following modes:

Flat → Pop → Rock → Jazz → Vocal → User

Note: The modifications made in "USER" mode will be stored. All other settings are reset to factory-set level when you change to another mode.

- 1 Select "Sound Control" in the main menu, then select "Graphic Equalizer" using >+ or ?- and press OK. The GRAPHIC EQUALIZER menu appears (See Fig. 32).
- 2 Press OK. The colour of "Mode" changes. Select the desired mode with >+ or ?- and press OK.
- 3 If you want to modify a mode, select the desired bar of a frequency band using >+ or ?- and press OK. The selected frequency changes colour. Using >+ or ?- adjust the level of frequency and press OK. In this way you can adjust all 5 graphic bars.
- 4 Press MENU to return to the normal TV mode.

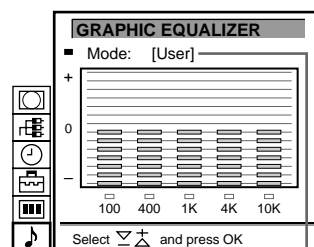


Fig. 32

Flat
Pop
Rock
Jazz
Vocal
User

TIMER

To switch off the timer
Select "OFF" in step 3.

To check the remaining time
Press 3.

To go back to the normal TV picture
Press MENU.

Using the Sleep Timer

You can select a time period after which the TV automatically switches into standby mode.

- 1 Using >+ or ?- select the symbol ⊖ for "Timer" and press OK. The TIMER menu appears (see Fig. 33).
- 2 Press OK.
The time period option changes colour.
- 3 Select the time period with >+ or ?-.
The time period (in minutes) changes as follows:
10 → 20 → 30 → 40 → 50 → 60 → 70 → 80 → 90
- 4 After selecting the time period, press OK.
The cursor moves back to the left margin and the timer starts counting.
One minute before the TV switches into standby mode, a message is displayed on the screen.

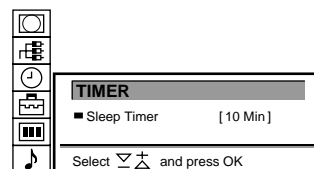
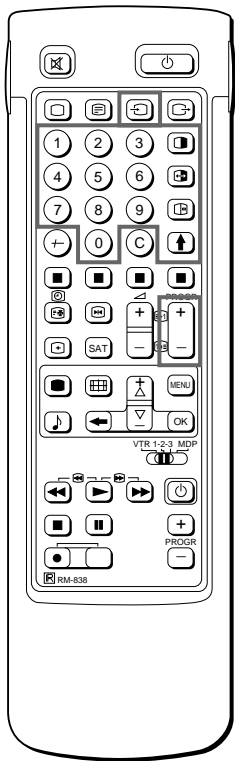


Fig. 33

PAP (Picture and Picture)



With this function you can display two screens at the same time. In this way you can watch two TV programmes at the same time. Also you can watch or monitor the video output from any connected equipment (for example from a VCR) while watching TV or vice versa. For information about connection of other equipment, refer to page 23.



Switching PAP on and off

Press to display the screens in 8:9 format.

The PAP screen will be displayed next to the main TV screen.

The PAP screen will come from the source chosen when the TV was last used.

To switch PAP off

Press repeatedly.

Selecting PAP source

Press .

The symbol will be displayed at the bottom, left-hand corner of the screen.

Press PROGR +/-, the number buttons or to select the desired source for the PAP screen.

Swapping screens

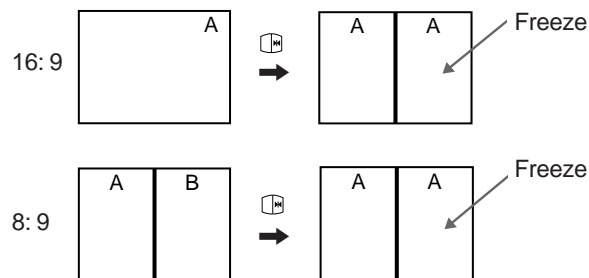
Press .

The main screen will switch the picture with the PAP screen.



Freezing the picture

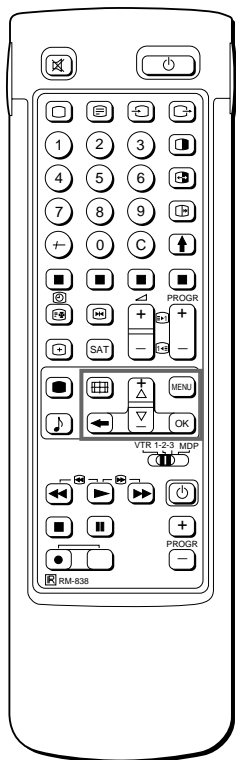
You have the possibility to “freeze” the picture of the PAP screen. Press once to freeze and twice to return to the normal screen.



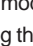
Notes

- RGB input source cannot be displayed in PAP.
- PAP is not available in the Zoom mode.
- The sound of the right screen is only available via the headphones.
- The picture quality of the TV screen and PAP may differ.

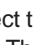
Operating Screen Mode/PAP using the Menu



When you want to select the screen mode

You can also select the screen mode by pressing the  button on the Remote Commander.

Using the Screen Mode menu you have the possibility to change the aspect ratio for the TV display for wide screen effects, operate the PAP Mode or reproduce the main picture image by image (Strobe function).

- 1 Press MENU to display the main menu.
- 2 Select the symbol  for "Screen Mode" with >+ or ?- and press OK. The SCREEN MODE menu appears (See Fig. 34).

You have the choice among the following modes:

4:3 for normal ratio 4:3 (See Fig. 35).

Smart: imitation of wide screen effect (16:9) for 4:3 broadcasts (See Fig. 36).

Zoom imitation of wide screen effect (16:9) for movies broadcast in cinemascopic format (See Fig. 37).

or

Wide: for 16:9 broadcasts (See Fig. 38).

a) Changing the Screen position (only for Zoom mode)

When using the Zoom mode part of the picture at the top and bottom will be cut off. With the help of the function "Screen position" you can move the screen up- or downwards in order to see the cut-off part of the screen (e.g., to read the subtitles).

Using >+ or ?- select "Screen position" and press OK. The selected item changes colour. Using >+ or ?- adjust the screen position and press OK.

b) Strobe Mode

Using >+ or ?- select "Strobe" and press OK. Now the TV picture is displayed image by image, creating a slow motion effect (See Fig. 39). Using >+ or ?- select the speed of the motion (3 different speeds are available). Press OK to return to the normal TV mode.

c) Switching PAP on and off

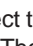
Using >+ or ?- select "PAP" and press OK. Using >+ or ?- select "ON" to display the PAP screen in 8:9 format, and "OFF" to switch it off and press OK.

d) Freezing the PAP screen

Using >+ or ?- select "Clip Board" and press OK. Using >+ or ?- select "ON" to freeze the PAP screen and "OFF" to restore the normal picture.

Auto Format

If you preset Auto Format to ON and the 16 : 9 format signal is being transmitted, the screen mode automatically changes from any mode to the 16 : 9 mode. When the 16 : 9 format programme is finished, the screen mode automatically returns to the previous mode.

- 1 Press MENU to display the main menu.
- 2 Select the symbol  for "Screen Mode" with >+ or ?- and press OK. The SCREEN MODE menu appears.
- 3 Select "Auto Format" with >+ or ?- and press OK.
- 4 Select ON or OFF with >+ or ?- and press OK.

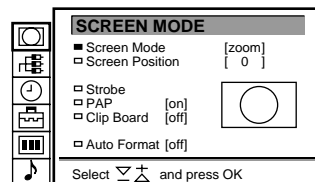


Fig. 34

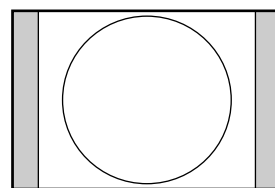


Fig. 35

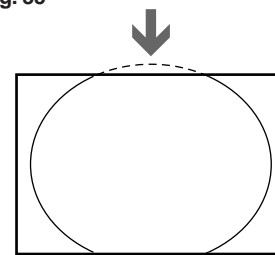


Fig. 36

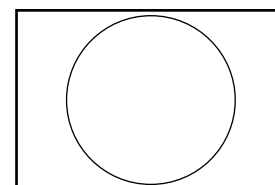


Fig. 37

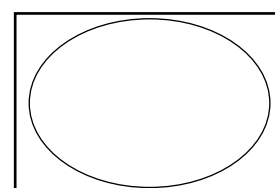


Fig. 38

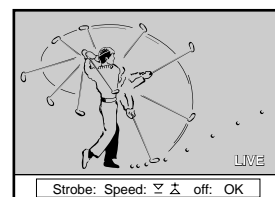
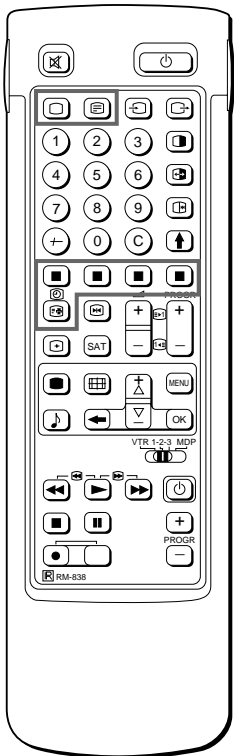


Fig. 39

Teletext



Note

Teletext errors may occur if the broadcasting signals are weak.

With the simple side of the Remote Commander

You can switch teletext on and off, operate Fasttext, and directly select page numbers.

Note

Fasttext operation is only possible, if the TV station broadcasts Fasttext signals.

TV stations broadcast an information service called Teletext via the TV channels. Teletext service allows you to receive various information pages such as weather reports or news at any time you want. For advanced teletext operation, use the buttons on the Full-Function side of the Remote Commander.

Direct Access Functions

Switching Teletext on and off

- 1 Select the TV channel which carries the teletext broadcast you want to watch.
- 2 Press **[]** to switch on teletext.
A teletext page will be displayed (usually the index page).
If there is no teletext broadcast, "No text available" is displayed on the information line at the top of the screen.

To switch teletext off

Press **[O]**.

Selecting a teletext page

With direct page selection

Use the number buttons to input the three digits of the chosen page number.

If you have made a mistake, type in any three digits. Then re-enter the correct page number.

With page-catching

- 1 Select a teletext page with a page overview (e.g. index page).
- 2 Press **[OK]**. Using **[>+]** or **[? -]**, select the desired page. "Page Catching" will be displayed on the information line. Press **[OK]**. The requested page will appear in a few seconds.
Press **[]** to resume normal teletext reception.

Accessing next or preceding page

Press **[PAGE+]** or **[PAGE-]**.

The next or preceding page appears.

Superimposing the teletext display on the TV programme

- Press **[]** once in teletext mode or twice in TV mode.
- Press **[]** again to resume normal teletext reception.

Preventing a teletext page from being updated

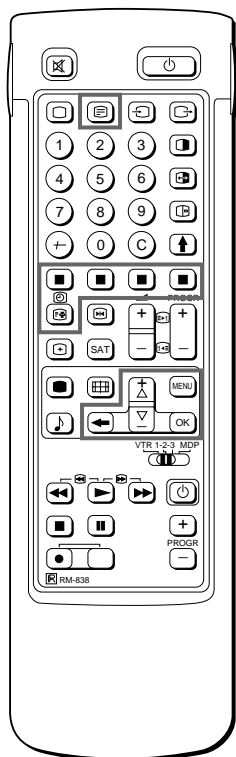
- Press **[HOLD]**. The HOLD symbol "[]" is displayed on the information line.
- Press **[]** to resume normal teletext reception.

Using Fasttext

With Fasttext you can access pages with one key stroke.

When a Fasttext page is broadcast, a colour-coded menu will appear at the bottom of the screen. The colours of this menu correspond to the red, green, yellow and blue buttons on the Remote Commander.

Press the corresponding coloured button on the Remote Commander which corresponds to the colour-coded menu. The page will be displayed after a few seconds.



Using the Teletext Menu

This TV is provided with a menu-guided teletext system. When teletext is switched on, you can use the menu buttons to operate the teletext menu. Select the teletext menu functions in the following way:

- 1 Press MENU. The menu will be superimposed on the teletext display. (See Fig. 40.)
- 2 Using >+ or ?-, select the teletext function you want and press OK. (See Fig. 41.)

USER PAGES/PRESET USER PAGES

See page 22 for information about presetting and operating the user pages.

INDEX

The index will give you an overview of the contents of the teletext and the page numbers.

TOP/BOTTOM/FULL

For convenient reading of a teletext page, you can enlarge the teletext display with the ability to scroll up and down. After having selected the function, an information line Top/Bottom/Full will be displayed. (See Fig. 42.)

Press >+ for "Top" to enlarge the upper half. For "Bottom" keep pressing ?-, to enlarge the lower half. Press OK for "Full" to resume the normal size.

Press _ to resume normal teletext reception.

TEXT CLEAR

After selecting the function, you can watch a TV programme while waiting for a teletext page to be captured. (The symbol changes colour.) (See Fig. 43.)

Press _ to resume normal teletext reception.

SUBTITLES

Your teletext service will inform you if a TV programme is subtitled. After having selected the function the subtitles will be displayed.

REVEAL

Sometimes pages contain concealed information, such as answers to a quiz. The reveal option lets you disclose the information. After having selected the function, an information line "REVEAL ON/OFF" will be displayed. (See Fig.44.)

Using >+ or ?-, select ON to reveal the information or OFF to conceal it again.

Press _ to resume normal teletext reception.

TIME PAGE

Your teletext service will inform you, if a time coded page is available. You may have a page (e.g., an alarm page) displayed at a certain time.

- 1 An information window will be displayed at the bottom of the page. Using >+ or ?- select "ON" and press OK.
- 2 To select the desired page, enter three digits for the page number (e.g., 452) using the number buttons.
- 3 To select the desired time, enter four digits for the desired time (e.g., 1800) using the number buttons. Press MENU. The selected time is displayed at the top in the left-hand corner. At the requested time, the page will be displayed. Press _ to resume normal teletext mode.

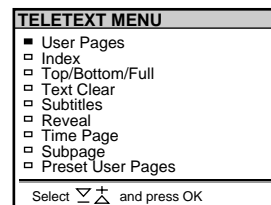


Fig. 40

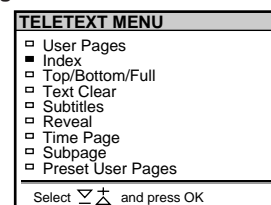


Fig. 41

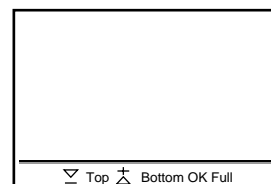


Fig. 42

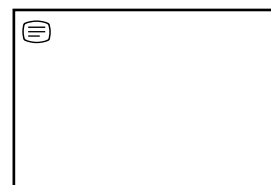


Fig. 43

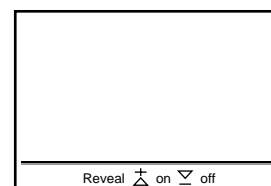


Fig. 44

Note

Some of the features may not be available depending on the teletext service.

Press OK to select "OFF" for the TIME PAGE setting to cancel the request.

To cancel the request

Select Subpage and press OK.

If two broadcasting stations use the same Teletext

You can preset one bank to 2 different programme positions.

SUBPAGE

You may want to select a particular teletext page from several subpages which are rotated automatically. After having selected the function, an information line will be displayed.

To select the desired subpage, enter four digits using PROGR +/- or the number buttons (e.g., enter 0002 for the second page of a sequence).

User Page Bank System

You can store up to 30 pages in the "Teletext page band system". In this way you have quick access to the pages you watch frequently.

Storing pages

There are 5 "banks" (A to E) for 5 teletext stations. In each bank you can store 6 preferred pages (P1 to P6).

- 1 Press **_** (if Teletext is not on already) and MENU to show the TELETEXT MENU display.
- 2 Select PRESET USER PAGES with **>+** or **?-** and press OK.
- 3 Select the desired bank with **>+** or **?-** and press OK. The cursor will go to the first position (P1) of the preferred pages.
- 4 Input the three digits of your first preferred page with the number buttons and press OK.
The cursor will go to the second position.
- 5 Repeat step 4 for the other 5 page numbers you want to preset. If you do not want to preset all 6 page numbers available, press OK without inserting any number. After having finished the presetting press OK repeatedly until the cursor appears besides the next bank at the left margin.
- 6 Select Allocate Bank with **>+** or **?-** and press OK.
- 7 Select the programme position for which you have preset pages with **>+** or **?-** and press OK. (See Fig. 45.)
- 8 Select the desired bank with **>+** or **?-** (Banks A to E are available) and press OK.
- 9 Repeat steps 3 to 8 for the other 4 banks available.

Displaying User Pages

- 1 Select MENU.
- 2 Select User Pages with **>+** or **?-** and press OK.
A table of the stored preferred pages will be displayed. (See Fig. 46)
- 3 Select the desired page with **>+** or **?-** and press OK. The page will be displayed after some seconds.

or

You can use the coloured buttons on the Remote Commander to have quick access to the first four User pages. Page 1 corresponds to the red button, P2 to the green one, P3 to the yellow one and P4 to the blue button.

To select the desired page press the respective coloured button while you are in TV mode. Now the Page number of this teletext page will appear in white at the top in the left-handed corner of the TV screen. When the page number changes colour, the page is available. Press the coloured button again to display the page.

PRESET USER PAGES						
BANK	P1	P2	P3	P4	P5	P6
A	300	255	456	234	200	179
B	200	120	301	303	550	345
C	100	220	300	444		
D	128	321	255			
E	400	238	240	118	127	

Allocate Bank
PROG LABEL BANK PROG LABEL BANK
00 VHS - 04 MTV D
01 BBC1 A 05 SKY B
02 BBC2 C 06 ITV C

Select **⏏** and press OK

Fig. 45

USER PAGES - BANK B	
<input checked="" type="checkbox"/>	PAGE 300
<input type="checkbox"/>	PAGE 200
<input type="checkbox"/>	PAGE 203
<input type="checkbox"/>	PAGE 500
<input type="checkbox"/>	PAGE 234
<input type="checkbox"/>	PAGE 159

Select **⏏** and press OK

Fig. 46

Connecting and Operating Optional Equipment

Connecting Optional Equipment

You can connect optional audio-video equipment to this TV such as a VCR, video disc player, and stereo system.

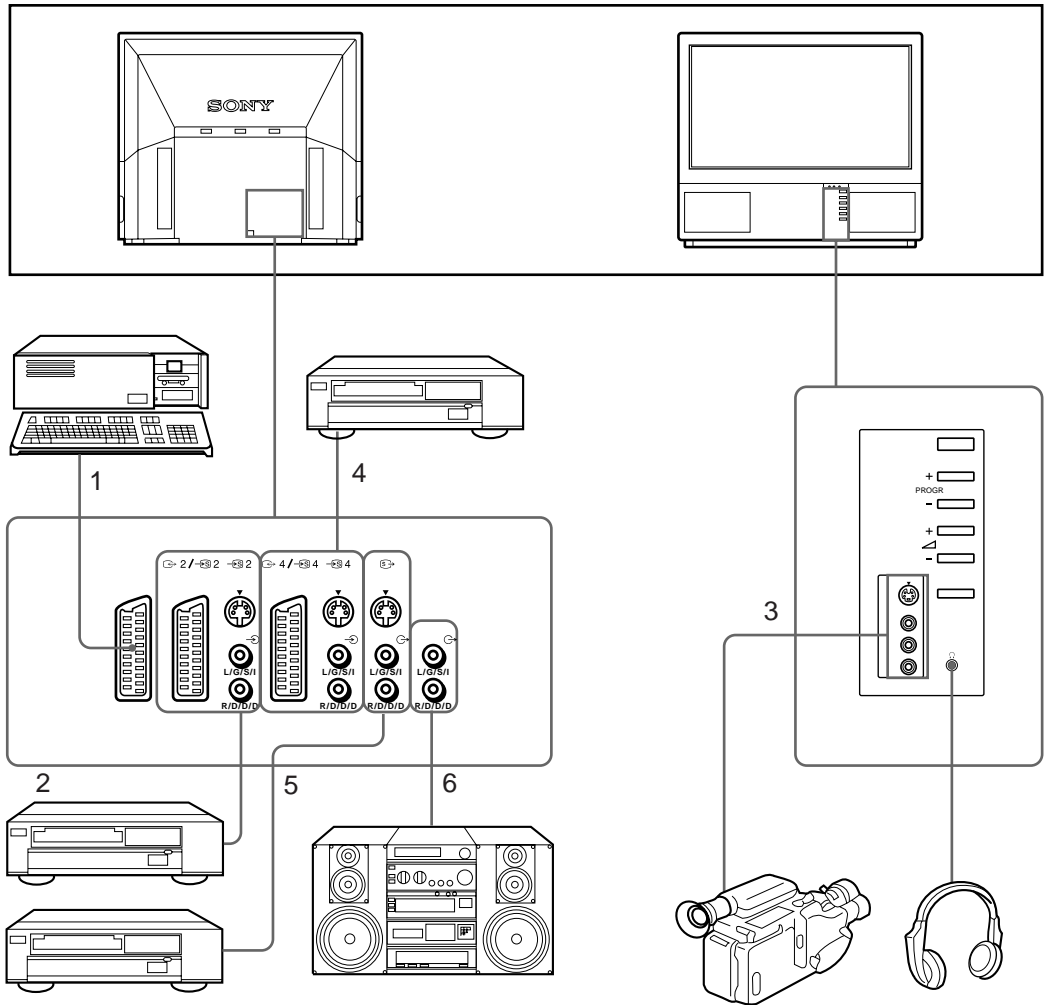
GB

To connect a VCR using the) terminal
Connect the aerial output of the VCR to the aerial terminal) of the TV. We recommend that you tune in the video signal to programme number "0." For details see "Preset channels manually" on page 9.

If the picture or the sound is distorted
Move the VCR away from the TV.

S/video Input (Y/C input)
Video signals may be separated into Y (luminance or brightness) and C (chrominance) signals. Separating the Y and C signals prevents them from interfering with one another, and therefore improves picture quality (especially luminance). This TV is equipped with 3 S Video input jacks through which these separated signals can be input directly.

When connecting a monaural VCR
Connect only the white) jack to both the TV and VCR.



Acceptable input signal

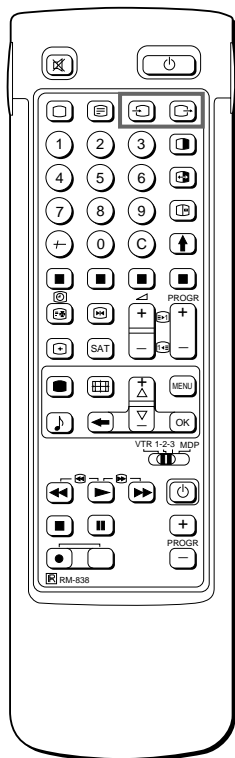
- | | |
|---|---------------------------------------|
| 1 | Normal audio/video and RGB signal |
| 2 | Normal audio/video and S video signal |
| 3 | Normal audio/video and S video signal |
| 4 | Normal audio/video and S video signal |
| 5 | No inputs |
| 6 | No inputs |

Available output signal

- | |
|---|
| Video/audio from TV tuner |
| Video/audio from selected source |
| No outputs |
| Video/audio displayed on TV screen (monitor out) |
| S/video/audio signal displayed on TV screen (monitor out) |
| Audio signal (variable) |

Selecting input with PROGR +/- or number buttons

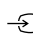
You can preset video input sources to the programme positions so that you can select them with PROGR +/- or number buttons. For details, see "Preset channels manually" on page 9.



Selecting Input and Output

This section explains how to view the video input picture (of the video source connected to your TV), and how to select the output signal using direct access buttons or the menu system.

Selecting input

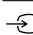



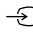


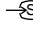



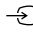


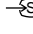

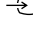






Press  repeatedly to select the input source. The symbol of the selected input source will appear.

To go back to the normal TV picture

Press O.


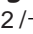
Input modes



Symbol	Input signal
 1	Audio/video input through the  1 connector
	Audio/RGB input through the  1 connector
 2	Audio/video input through the  2/  2 connector
 2	Audio/S video input through the  2/  2 or  2 connector (4-pin connector)
 3	Audio/video input through  3 and  3 connector on the front
 3	S video input through the  3 connector (4-pin connector) at the front
 4	Audio/video input through the  4/  4 connector
 4	S video input through the  4/  4 or  4 connector(4-pin connector)

You can also select the input mode using the  button on the TV.

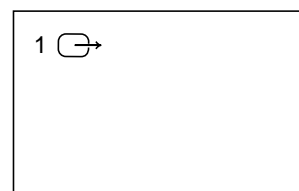
Selecting the output



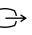

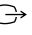


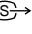



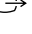








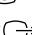




The  2/  2 connector outputs the source input from the other connectors.

Press  repeatedly to select the output.

The symbol of the selected output source appears.

Output modes



Symbol	 2/  2 connector outputs
1 	Audio/video signal from the  1 connector
2 	Audio/video signal from the  2/  2 connector
2 	Audio/S video signal from the  2/  2 or  2 connector (4 pin)
3 	Audio/video signal from the  3,  3 connectors
3 	Audio/S video signal from the  3,  3 connectors
4 	Audio/video signal from the  4/  4 connector
4 	Audio/S video signal from the  4/  4 or  4 connector (4 pin)
TV 	Audio/video signal from the) aerial terminal

Using AV Preset

Using this function you can preset the desired input source (e.g. 1, RGB signal) to the respective AV input (AV 1). In this way a connected VTR will automatically switch to the RGB signal.

- 1 Select the symbol for "Preset" with >+ or ?- and press OK.
- 2 Select first "Installation", then "AV Preset" with >+ or ?- and press OK.

The AV PRESET menu appears (See Fig. 47).

- 3 Select the desired AV input with >+ or ?- and press OK.
- 4 Select the desired source with >+ or ?- and press OK.
For the respective AV inputs you have the following possibilities:

AV1	RGB or AV	AV3	YC3 or AV
AV2	YC2 or AV	AV4	YC4 or AV

- 5 If you want to name the AV input select "Label" using >+ or ?- and press OK. Select a letter or a number with >+ or ?- and press OK. The next element will be highlighted. Select other characters in the same way. If you want to leave an element blank, select - and press OK.

After having selected all the characters, press OK repeatedly until the cursor appears by the next AV input at the left margin.

- 6 Repeat steps 3 to 6 for the other AV inputs.

Checking and selecting the input and output sources using the menu

You can display the menu to see which input sources are selected for the TV screen and PAP screen, and which output source is selected. You can also select them on the menu display.

- 1 Select the symbol for "Video Connection" with >+ or ?- and press OK. The VIDEO CONNECTION menu appears. (See Fig. 48)

You can see which source is selected for the TV and PAP input, and for the output. If you want to select the input and output on this menu, go on to the next step.

- 2 Select TV Screen (input source for the TV screen), PAP (input source for the PAP screen), or output (output source) with >+ or ?- and press OK. One of the source items changes colour.
- 3 Select the desired source with >+ or ?-.
For details about each source, see the table on page 24.
- 4 Press OK.
The selected source is confirmed, and the cursor appears.
- 5 Repeat steps 2 to 4 to select the source for other inputs or outputs.

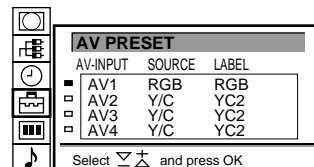


Fig. 47

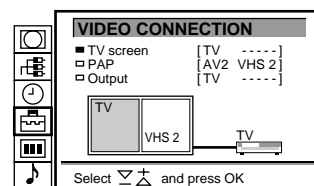
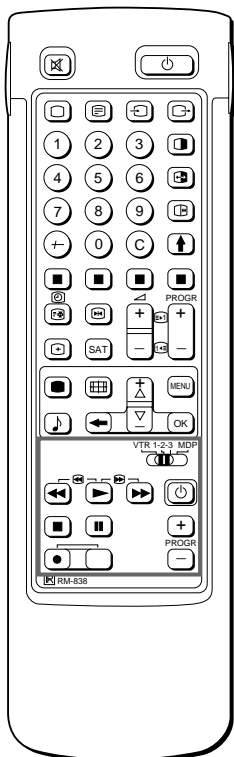


Fig. 48



Remote Control of Other Sony Equipment

You can use the TV Remote Commander to control most of Sony remote-controlled video equipment such as: beta, 8 mm and VHS VCRs and video disc players.

Tuning the Remote Commander to the equipment

- 1 Set the VTR 1/2/3 MDP selector according to the equipment you want to control:
 - VTR1: Beta VCR
 - VTR2: 8 mm VCR
 - VTR3: VHS VCR
 - MDP: Video disc player

- 2 Use the buttons indicated in the illustration to operate the additional equipment.
 If your video equipment is furnished with a COMMAND MODE selector, set this selector to the same position as the VTR 1/2/3 MDP selector on the TV Remote Commander.
 If the equipment does not have a certain function, the corresponding button on the Remote Commander will not operate.

When recording when you use the α (record) button, make sure to press this button and the one to the right of it simultaneously.

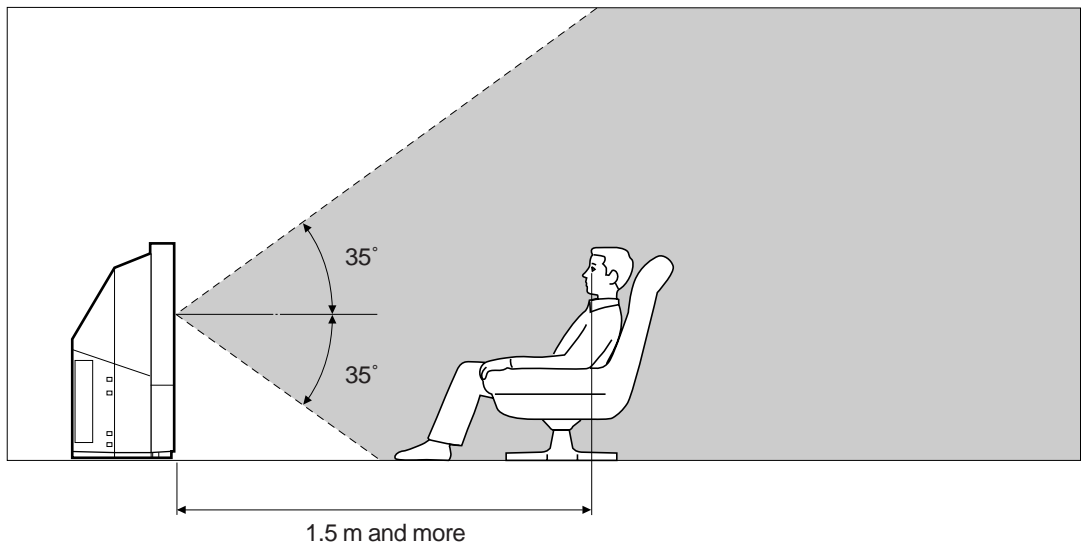
For Your Information

Optimum Viewing Area

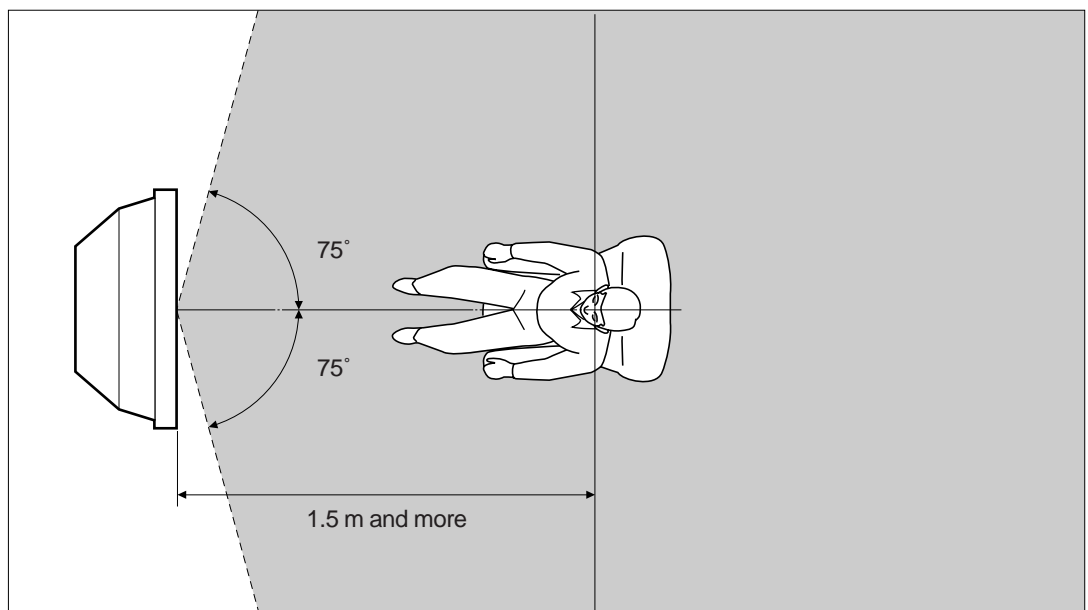
For the best picture quality, try to position the projection TV so that you can view the screen from within the areas shown below.

GB

Horizontal viewing area



Vertical viewing area



Cleaning of the Air Filter

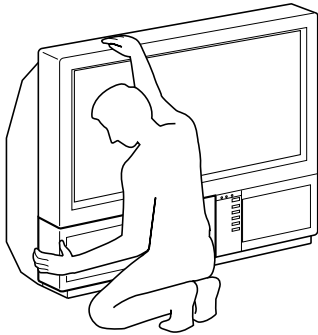
Periodic cleaning of the air filter is necessary. Clean the air filter once a month. When the filter becomes old and dust remains on the filter even after cleaning, replace it with a new one.

If you do not take the following precautions, you may get hurt or household belongings may be damaged.

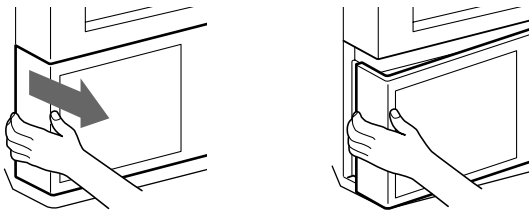
- Clean the air filter periodically. If you don't clean, it may cause internal heat build-up.
- Never use an air filter which is torn or has holes. Attach the filter firmly with six tabs. If dust enters the TV, the picture may become dark or it may cause fire.

1 Turn off the power and disconnect the power cord.

2 Remove the front panel.

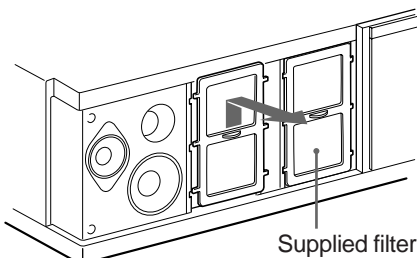


Remove the front panel without moving the TV.

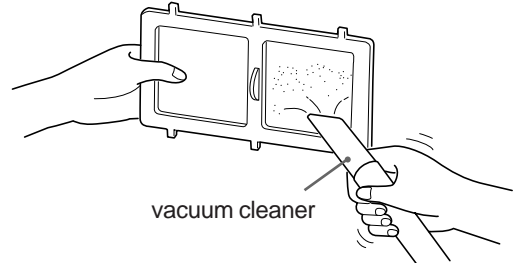


Grasping the side of the front panel with your fingers, pull it forward. Be careful not to catch your fingernails.

3 Pull the filter upward and remove it.

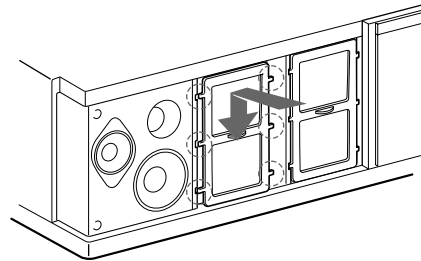


4 Clean the dust with a vacuum cleaner.



5 Attach the filter.

Attach the six tabs securely.



6 Attach the front panel.

Be careful not to damage the speaker.

Notes

- Attach the filter firmly. If it is not firmly attached, the power will not turn on.
- Remove the supplied filter in the same way as the attached filter.
- Consult your nearest Sony service center to obtain a new filter.

Replacing the Lamp

The lamp life is about 6000 hours. When the lamp becomes dark or the picture colour is not normal, replace with a new lamp (supplied).

If you do not take the following precautions, you may get hurt or household belongings may be damaged.

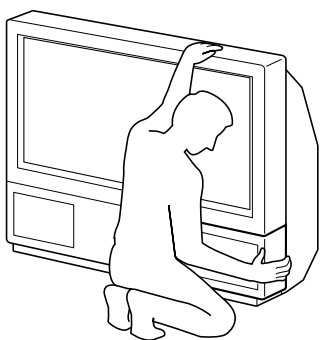
- Use the supplied new lamp for replacement. If you use another lamp, it may cause damage to the TV.
- Do not remove the lamp except when replacing it. This may cause heat damage or fire.
- Before replacing the lamp, turn off the power and disconnect the power cord.
- Replace the lamp after it becomes cool. The front glass of the lamp remains 100 °C (212 °F) and more even 30 minutes after the power is turned off.
- Do not place the removed lamp in proximity to children or flammable material.
- Do not get the removed lamp wet, or insert objects inside the lamp. It may cause the lamp to explode.
- Do not place near metal or easily flammable objects, as this may cause fire. Also, do not put your hand inside the lamp compartment, as you may be burned.
- Attach the new lamp firmly. If it is not firmly attached, the picture may become dark or fire may result.

1 Turn off the power and disconnect the power cord.

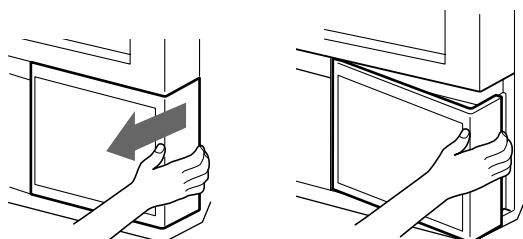
Replace the lamp 30 minutes or more after the power is turned off.

Prepare the new lamp.

2 Remove the front panel.

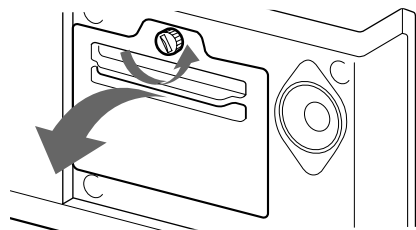


Remove the front panel without moving the TV.



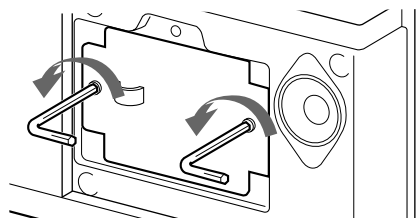
Grasping the side of the front panel with your fingers, pull it forward. Be careful not to catch your fingernails.

3 Loosen the screw with the object such as a coin and remove the lamp cover.

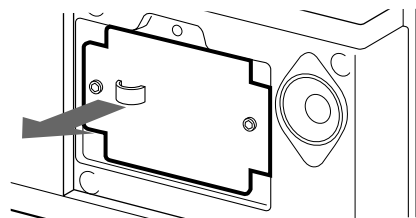


4 Loosen two screws and pull out the lamp.

The lamp is still too hot just after the power is turned off. Be careful that you don't touch the front glass or surrounding area of the lamp or the glass of the lamp compartment.



Loosen two screws with the supplied wrench.



Pull out the lamp by the handle.

5 Attach the new lamp.

Fasten two screws tightly.

6 Attach the lamp cover.

Fasten the screws tightly.

7 Attach the front panel.

Be careful not to damage the speaker.

Notes

- Do not touch or stain the front glass of the new lamp or the glass of the lamp compartment. If the glass become dirty, the picture quality may deteriorate or the lamp life may shorten.
- Attach the lamp cover firmly. If it is not firmly attached, the power will not turn on.
- When the lamp burns out, a noise is audible. This does not represent a damage.
- Consult your nearest Sony service center to obtain a new lamp.

Troubleshooting

Here are some simple solutions to some problems which may affect the picture and sound.

Problem	Solution
No picture (screen is dark), no sound	<ul style="list-style-type: none"> • Plug in the TV in. • Press ϕ on the TV (if ϕ indicator is on, press O or a programme number on the Remote Commander). • Check the aerial connection. • Check if the selected video source is on.
Poor or no picture (screen is dark), but sound is OK	<ul style="list-style-type: none"> • Press \bullet to enter the PICTURE CONTROL menu and adjust the brightness, contrast and colour.
Poor picture quality when watching an RGB video source	<ul style="list-style-type: none"> • Press Z repeatedly to select \rightarrow.
Poor picture quality of PAP screen	<ul style="list-style-type: none"> • Press \rightarrow.
Good picture but no sound	<ul style="list-style-type: none"> • Press Δ +. • Check loudspeakers connection. • If o is displayed on the screen, press o.
No colour for colour programmes	<ul style="list-style-type: none"> • Press \bullet to enter the PICTURE CONTROL menu, select RESET, then press OK.
Remote Commander does not function	<ul style="list-style-type: none"> • The batteries are weak.

If you continue to have problems, have your TV serviced by qualified personnel. Never open the casing yourself.

Specifications

This product complies with the EU Directive 89/336/EEC.

Television system	B/G/H, D/K, I, L	Sound output	2 x 5 W (music power) Centre 1 x 20 W
Colour system	PAL/SECAM	Power consumption	170 W
Channel coverage	NTSC 3.58/4.43 (VIDEO IN) See "Receivable channels and channel displays" at the bottom.	Dimensions (W x H x D)	920 x 825 x 390 mm (KL-37W1K) 1,230 x 1,055 x 550 mm (KL-50W1K)
Projected picture size	37 inches (KL-37W1K) Approx. 94 cm diagonally 50 inches (KL-50W1K) Approx. 127 cm diagonally	Mass	29 kg (KL-37W1K) 43 kg (KL-50W1K)
Terminals		Supplied accessories	See page 6.
Rear	<ul style="list-style-type: none"> - \rightarrow 1 21-pin Euro connector (CENELEC standard) inputs for audio and video signals - inputs for RGB - outputs of TV video and audio signals - \rightarrow 2/ \rightarrow 2 21-pin Euro connector - inputs for audio and video signals - inputs for S video - outputs for audio and video signals (selectable) - \rightarrow 4/ \rightarrow 4 21-pin Euro connector - inputs for audio and video signals - inputs for S video - outputs for audio and video signals (monitor out) - \rightarrow 2, \rightarrow 4 S video inputs - 4 pin DIN - \rightarrow Audio inputs (L, R) - phono jacks - \rightarrow S video output 4-pin DIN - \rightarrow Audio outputs - phono jacks - \rightarrow Audio outputs (variable)-phono jacks 	Other features	<ul style="list-style-type: none"> Digital comb filter (High resolution) PAP (Picture-and-picture) FASTEXT 100 Hz Digital Plus Graphic Equalizer

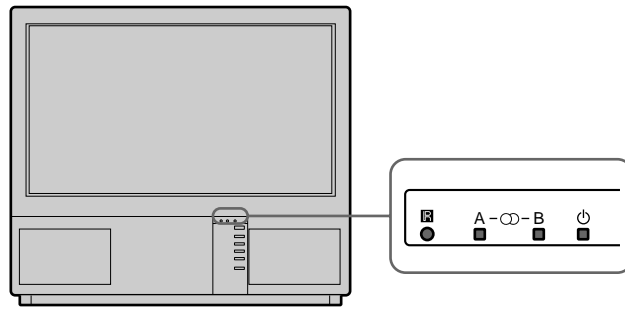
Design and specifications are subject to change without notice.

Receivable Channels and Channel Displays

	Receivable channels	Indication on the screen
B/G/H	E2..12 21..69	C02 C03 C04..C12 C21..C69
CABLE TV (1)	S1..41	S01 S02..S41
CABLE TV (2)	S01..S05 M1..M10 U1..U10	S42..S46 S01..S10 S11..S20
ITALY	A B C D E F G H H1 H2 21..69	C11..C69
D/K	R01..R12 R21..R69	C02..C12 C21..C69
CABLE TV (1)		S01 S02..S41
CABLE TV (2)		S42 S43..S46
CABLE TV	B..Q, S21..41	S02, S03..S17, S21..S41
L	F2..F10 F21..F69	C01..C12 C21..C69
I	B21..B68	C21..C68

Warning Indicators

When a problem occurs, the indicator flashes as follows.
Attempt the solution recommended for the given problem.



GB

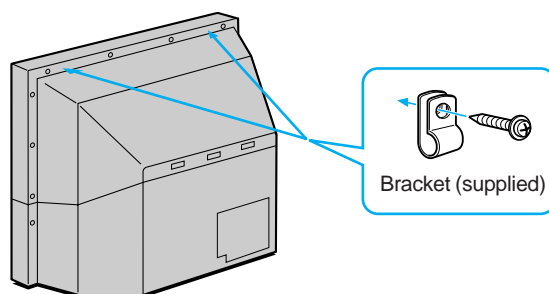
Cause	Indicator flashing patterns
The lamp burns out or the quality of the lamp is deficient.	The B indicator flashes twice then A flashes once. Flashing continues in this manner.
The cover of the filter or the lamp is removed.	The B indicator flashes three times then A flashes once. Flashing continues in this manner.
The fan for cooling stops.	The B indicator flashes four times then A flashes once. Flashing continues in this manner.
Internal heat builds up.	The B indicator flashes five times then A flashes once. Flashing continues in this manner.

If the lamp flashes in a way not described above, consult your nearest Sony service center.

Stabilizing the Projection TV

After setting up, secure the projection TV to a wall, etc., with the supplied brackets, for safety purposes.

- 1 Mount the two supplied brackets with the screws to the upper rear side of the projection TV.**



- 2 Pass a strong cord or a chain through each bracket mounted in 1, and then secure to a wall or a pillar, etc.**

UPOZORNĚNÍ

Nevystavujte přístroj de ti ani vlhkosti, abyste zabránili vzniku požaru nebo zkratu.

Uvnitř přístroje vzniká nebezpečně vysoké napětí. Neotvírejte přístroj. Ve případě opravy přenechte pouze odborníkům.

Bezpečnostní opatření

V echny televizory pracují s mimořádně vysokým napětím.

Aby nedošlo k požaru nebo k rázu elektrickým proudem, dodržujte níže uvedená bezpečnostní pokyny. Pro Vaši bezpečnost přenechte opravy pouze kvalifikovaným odborníkům.

V eobecné bezpečnost:

- Nevystavujte televizor de ti ani nadměrné vlhkosti.
- Neotvírejte zadní kryt přístroje.

Bezpečný provoz:

- Nenapojte přístroj na jiné napětí než 220 – 240 V střídavého proudu.
- Nezapojte přístroj, vnikne-li do něho nějaký předmět nebo kapalina - nechte ho okamžitě zkontrolovat kvalifikovaným odborníkem.
- Nenechávejte přístroj zapojen v zásuvce, nebudete-li ho několik dní používat.
- Při vytahování zásuvek ze sítě ťahejte vědy za zásuvku, nikdy ne za úřru.
- Nepokřdejte žádné předměty na plochu předního panelu, když je vyklopen.

Dělejte informace

Přetřte si prosím následující informace ťkající se uelvně a ťdrěby Vaeho televizoru, abyste se mohli ťit ť z co nejvyšší kvality přijmu.

Kvalita obrazu

- Nedotřkejte se obrazovky a dbejte na to, abyste nepokřbali její povrch tvrdými předměty.

Osvětlení

Abyste získali jasný obraz, nevystavujte obrazovku přímému světlu nebo slunečnímu zření. Je-li to možné, pouelvejte bodové světlo světlic od stropu směrem dolů.

Instalace

- Nezakřvejte vřtrací otvory, abyste zabránili vnitřnímu pēhřtř přístroje.
- Neinstalujte televizor na příliš horkých nebo vlhkých místech, na místech vystavených přímému slunečnímu zření, nadměrně pranosti, mechanickým vibracím nebo otřesům.
- Jestliže přenesete televizor přímě z chladna do tepla nebo změní-li se náhle teplota v místnosti, může dojít k zkršeně obrazu nebo ke zkršeně barev na ěsti obrazovky. To je způsobeno kondenzací vlhkosti na zrcadlech nebo řeřkách uvnitř televizoru. Před pouelěním televizoru nechte vlhkost vyschnout.

ťdrěba

- Ušchovejte si originální kartťn i dalš materiál, ve kterém byl televizor zabalen, abyste ho měli k dispozici pro přřpadnou dalš dopravu televizoru. Pro optimální ochranu zabalte televizor přesně tak, jak byl originální zabalen z tovřrny.
- Aby Váš přístroj vypadal jako nový, otřrejte ho pravidelně mlčkou utřrkou. Skvrny můžete odstranit utřrkou namoženou v slabém roztoku řistlicího prostřdku. Nikdy nepouelvejte silně rozpou řidla jako je ředidlo nebo benzín, ani agresivní řistlicí prostřdky (např. pšsek na nádobě), abyste nepokřdili povrch přístroje. Pro Vaši bezpečnost odpojte před ěi říněm televizor od sítě.
- Chcete-li odstranit prach z obrazovky, odpojte televizor a střrejte prach mlčkou utřrkou namoženou ve vodě nebo ve slabém roztoku řistlicího prostřdku pouze svislými pohyby. Potom ji přetřete suchou mlčkou utřrkou. Nikdy za římto řeřem nepouelvejte rozpou řidla nebo ředidla.
- Zřmavne-li obrazovka po delš době pouelvně televizoru, je řeba vyřistit vnitřní prostor televizoru. V tomto přřpadě se obraťte na odborníky.

Obsah

Popis	34
Uvedení do provozu	36
1. krok: Příprava	36
Kontrola dodaného příslušenství	36
Vložení baterií do držáku	36
Zapojení antény	36
2. krok: Naladění televizních programů	37
Volba jazyka	37
Zobrazení menu	37
Automatické ladění kanálů	38
Manuální ladění kanálů	39
Další funkce přídavné	40
Třídní programových pozic	40
Použití rozlišené přídavné programů	41
Přeskakování programových pozic	42
Znamení zvukové stanice	42
Dětská pojistka	43
Přechodné naladění kanálů	43
Pokyny k obsluze	44
Sledování televizního programu	44
Zapnutí a vypnutí televizoru	44
Volba televizních programů	44
Nastavení hlasitosti	44
Ovládací prvky na přístroji	44
Sledování teletextu nebo videoprogramu	45
Další užitečné funkce	45
Nastavení a naladění televizoru pomocí menu	46
Nastavení obrazu a zvuku	46
Grafický equalizer	47
Použití programovatelného vypnutí (pro ušnění)	47
Funkce PAP (Picture and Picture - obraz v obraze)	48
Formát obrazu/PAP při užití menu	49
Auto Format	49
Teletext	50
Funkce s přímým přístupem	50
Použití menu teletextu	51
Banka uživatelských stránek	52
Připojení a ovládací zařízení	53
Připojení zařízení	53
Volba vstupu a výstupu	54
Použití AV přídavné	55
Držák ovládacích přístrojů Sony	56
Pro Vaši informaci	57
Oblast optimálního poslechu	57
»istní vzduchový filtr	58
Vnitřní závěsná	59
Poruchy a jejich odstranění	60
Technické údaje	60
Bezpečnostní kontrolky	61
Umístění projekčního televizoru	61

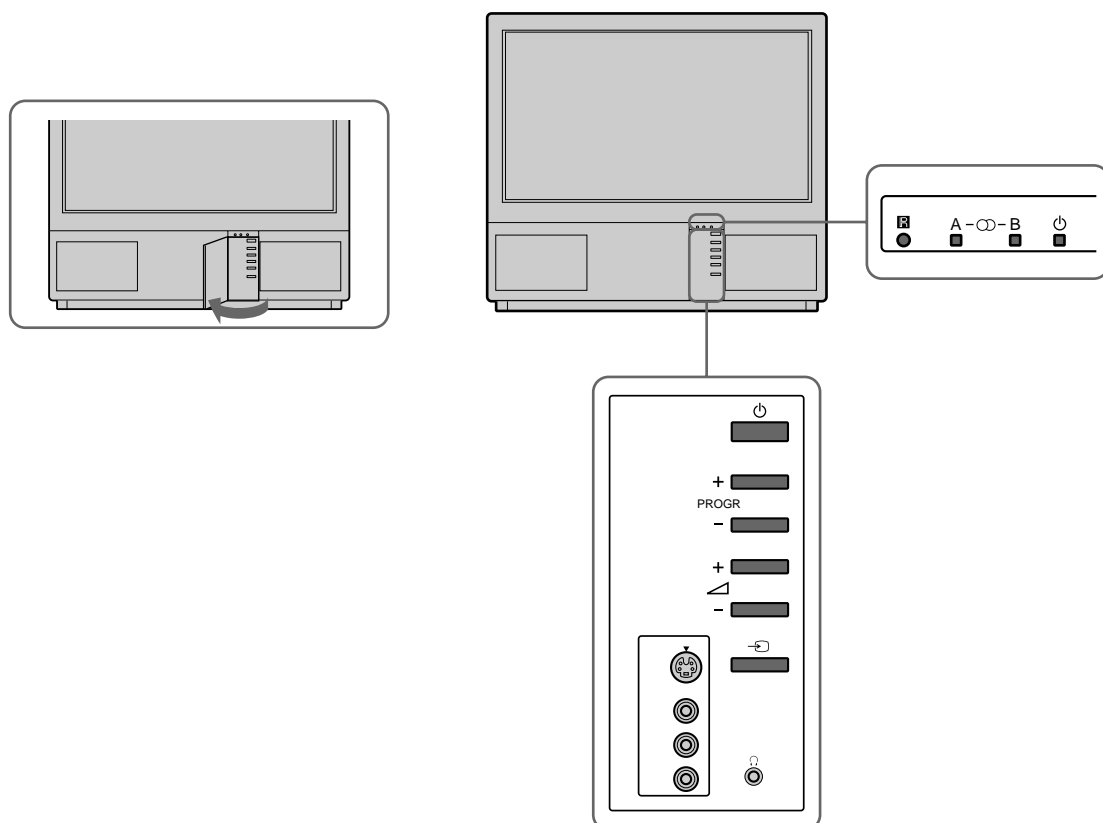
Uvedení do provozu	CZ
--------------------	----

Funkce	CZ
--------	----

Popis

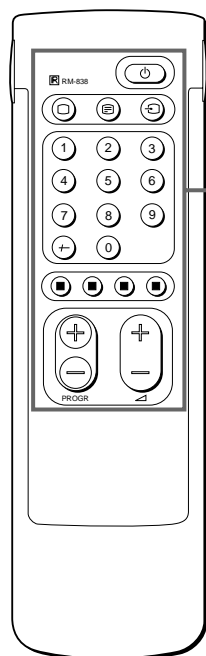
Tato È-st struÈnì popisuje tlaÈitka a ovl·dacì prvky na televizoru a na d·lkovÈm ovl·d·nì. Dal ì informace naleznete na str·nk·ch uvedenìch vedle kaædÈho prvku.

Přední strana televizoru



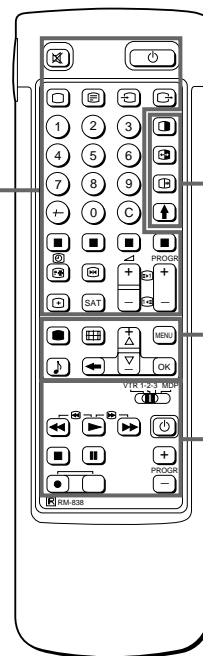
Symbol	N·zev	Viz strana
⏻	Hlavnì sířovř spìnaÈ	44
⏻	Indik·tor pohotovosti	44
A - µ - B	Indik·tory stereo A/B	46
PROGR+/-	Program	44
Δ+/-	Hlasitost	44
↺	TlaÈitka pro volbu vstupu	45
λ	Zdìřka pro sluch·tka	53
↻ 3, ↻ 3, ↻ 3	Zdìřky pro vstup (S video/video/audio)	54

Dílkově ovládní



Ovládní televizoru/
teletextu

Strana se zjednodu ením
ovládním



Ovládní PAP

Ovládní menu

Ovládní
videorekordÉru

Strana se v emi
funkcemi

Poznámka:
Tlačítko SAT s tímto televizorem
nepracuje.

Ovládní televizoru/teletextu

Symbol	Název	Viz strana
o	Vypnutí/zapnutí zvuku	45
φ	Tlačítko pohotovosti	44
O	Zapnutí televizoru/přijem TV vysílání	44
-	Tlačítko teletextu	45
↶	Tlačítko volby vstupu	45
↷	Tlačítko volby vřstupu	54
1,2,3,4,5,6, 7,8,9 a 0	»íselní tlačítka	44
-/--	Tlačítko pro dvojmístnou volbu	44
C	Tlačítko pro přímou volbu kanálu	40
Δ+/-	Tlačítko pro ovládní hlasitosti	44
PROGR +/-	Tlačítko volby programů	44
EM I	Tlačítko přístupu ke stránkám teletextu	50
●	Tlačítko nastavení obrazu	46
♪	Tlačítko nastavení zbarvení zvuku	46
∞	Tlačítko zobrazení indikace na obrazovce	45
[Tlačítko pro zablokování stránky teletextu	50
#	Tlačítko pro zobrazení hodin	45
ΛΛΛΛ	Tlačítko Fasttext	50
⏪	Tlačítko "zmrazení obrazu"	45
⏮	Tlačítko pro změnu formátu zobrazení	45

Ovládní PAP (Picture-and-Picture - obraz a obraz)

Symbol	Název	Viz strana
⏻	Tlačítko zapnutí/vypnutí PAP	48
X	Volba zdroje PAP	48
⏪	Tlačítko vřměny	48
⏮	Tlačítko ůmrazení PAP	48

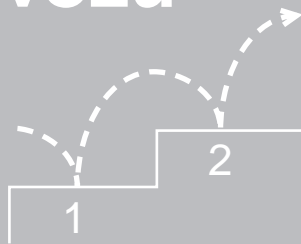
Ovládní menu

Symbol	Název	Viz strana
MENU	Zapnutí/vypnutí menu	37
>+/?-	Tlačítko volby	37
OK	Tlačítko potvrzení volby	37
≡	Tlačítko zpět	37

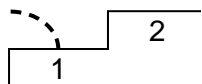
Ovládní videorekordÉru

Symbol	Název	Viz strana
VTR1/2/3, MDP	Volba videozařzení	56
:: - :: Δ	Tlačítko ovládní videozařzení	56
∅ α φ PROGR +/-		

Uvedení do provozu



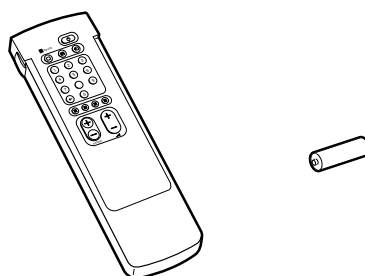
1. krok: Příprava



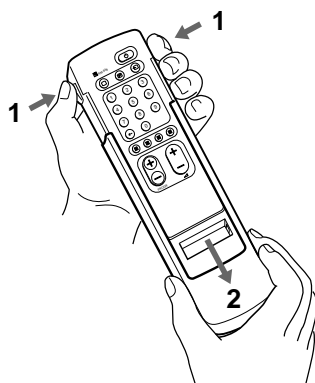
1 Kontrola dodaného příslušenství

Jakmile vybalíte přístroj z obalu, zkontrolujte, máte-li následující příslušenství:

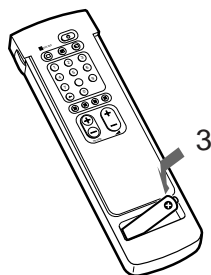
- Dálkový ovládání RM-838
- 1 baterie R6 s označením IEC
- šrouvka (1)
- klíč (1)
- Dráčky (2)



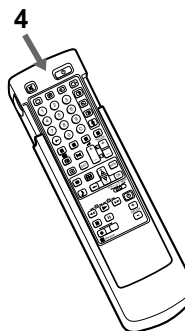
2 Vložení baterií do dálkového ovládání



Odsuňte kryt.



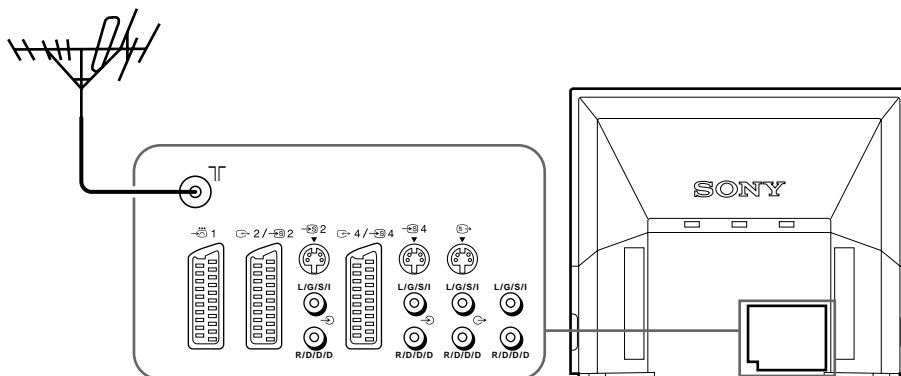
Zkontrolujte správnou polaritu.



Nasaďte vnější kryt tak, aby byla viditelná strana pro příslušné ovládání, abyste mohli používat menu v kroku 2.

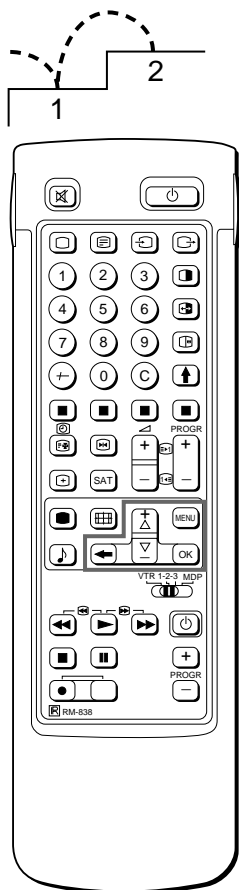
Poznámka: Nikdy nezapomínejte zlikvidovat baterku ekologickým způsobem.

3 Zapojení antény



Připojte koaxiální kabel opět anténním konektorem IEC (není součástí dodávky) do zdířky na zadní straně televizoru.

2. krok: Naladění televizních programů



Jakmile jste zapojili televizor, můžete zvolit jazyk menu. Potom je třeba nastavit jednotlivé kanály (až 100 kanálů) buď automaticky nebo ručně. Automatická metoda je snadnější, chcete-li uložit do paměti ve které přijímatelné kanály najednou. Manuální metodu použijte pouze tehdy, máte-li k dispozici jenom několik kanálů a chcete-li je naladit jeden po druhém.

Než začnete

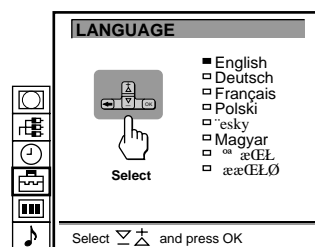
- Přesvědčte se, je-li dálkový ovládací obrácen nahoru stranou pro všechny funkce.
- Na dálkovém ovládacím naleznete tlačítka pro ovládací menu. Na obrázku vlevo jsou označena tmavou barvou.

1 Volba jazyka

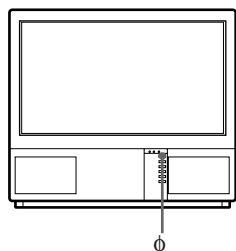
- 1 Stiskněte tlačítka na televizoru. Televizor se zapne. Svítí-li na televizoru indikátor pohotovostní polohy, stiskněte tlačítka nebo na dálkovém ovládacím.
- 2 Stiskněte tlačítka MENU. Objeví se menu pro volbu jazyků LANGUAGE. (viz obr. 1)



- 3 Za pomoci tlačítek nebo zvolte požadovaný jazyk a stiskněte OK.



Obr. 1



2 Zobrazení menu

Stiskněte tlačítka MENU.

Objeví se hlavní menu. (viz obr. 2).

Za pomoci tlačítek nebo zvolte symbol a stiskněte OK.

Nyní zvolte jeden z dle popsaných postupů:

“Automatické ladění”

nebo

“Manuální ladění”

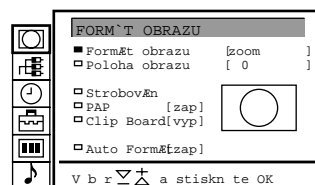
N-vrat k hlavnímu menu

Držte stisknuté tlačítka .

N-vrat k normálnímu televiznímu obrazu
Stiskněte tlačítka MENU. Nevyberete-li si žádnou z nabízených funkcí, dojde po jedné minutě k obnovení normálního televizního obrazu.


Poznámka k funkci DEMO

Zvolíte-li v hlavním menu DEMO, uvidíte postupně přehled jednotlivých funkcí, které jsou k dispozici. Stisknutím tlačítka MENU tuto funkci přeručíte.



Obr. 2

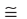
3 Automatické ladění kanálů


- 1 Za pomoci tlačítka >+ nebo ?- zvolte symbol  (ladění) a stiskněte OK. Objeví se menu LADÁNÍ. (viz obr. 3)
- 2 Za pomoci tlačítka >+ nebo ?- zvolte Automatické ladění a stiskněte OK. Objeví se menu AUTOMATICK... LADÁNÍ. (viz obr. 4)
- 3 Stiskněte tlačítko OK.
Je-li to nutné, zvolte systém televizního vysílání (B/G pro západoevropské země nebo D/K pro východoevropské země) za pomoci tlačítka >+ nebo ?- a stiskněte OK. První místo programové pozice "PROG" se zvýrazní.
- 4 Zvolte programovou pozici (číslem tlačítkem), od níž chcete ladění začít. Zadejte první místo dvojmístného čísla za pomoci tlačítka >+ nebo ?- nebo za pomoci číselných tlačítek (např. pro "04" zadejte "0") a stiskněte tlačítko OK.
Nyní se zvýrazní druhé místo pozice "PROG".
- 5 Zadejte druhé místo dvojmístného čísla za pomoci tlačítka >+ nebo ?- nebo za pomoci číselných tlačítek (např. pro "04" zadejte "4") (viz obr. 5) a stiskněte tlačítko OK.
- 6 Za pomoci tlačítka >+ nebo ?- zvolte "C" nebo "S" a stiskněte tlačítko OK.

Automatické ladění začne.

Po skončení ladění se opět objeví menu LADÁNÍ. V echy programy, které lze ve Vaší oblasti přijímat, jsou nyní uloženy v paměti postupně na programových pozicích.

Stiskněte tlačítko MENU, abyste se vrátili k normálnímu televiznímu obrazu.

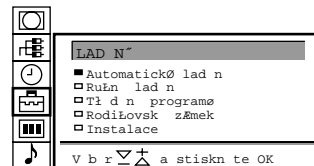
Návrat k hlavnímu menu
Držte stisknuté tlačítko .

Pro ení automatického ladění
Stiskněte tlačítko  na dálkovém ovládání.

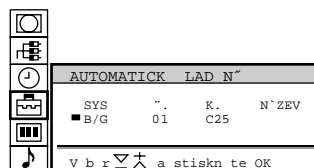
Poznámky

- Po ukončení automatického ladění můžete zkontrolovat, které kanály jsou uloženy na jednotlivých programových pozicích. Podrobnosti naleznete v kapitole **Úzobrazení tabulky programů** na straně 45.

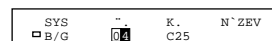
- Programové pozice můžete seřadit tak, aby se na obrazovce objevovaly ve V-mi pořádkem pořádkem. Podrobnosti naleznete v kapitole **Úzobrazení tabulky programových pozic** na straně 40.



Obr. 3



Obr. 4



Obr. 5

Tento postup použijte pouze tehdy, je-li ve Vaší oblasti jenom m-Lo kan-l' nebo chcete-li ladit jeden kan-l po druhém. Mějte rovněž určit programové pozice pro různé zdroje videosign-lu.

Jestliže jste se zmýlili Stiskněte tlačítko \equiv , abyste se vrátili k předchozí pozici.

N-vrát k hlavnímu menu Držte stisknuté tlačítko \equiv .

N-vrát k normálnímu televiznímu obrazu Stiskněte tlačítko MENU.

Naladění kan-lu podle kmitočtu Po volbě F v 6. kroku zadejte tři číslice za pomoci číselných tlačítek.

3 Manu-Iní ladění kan-l'

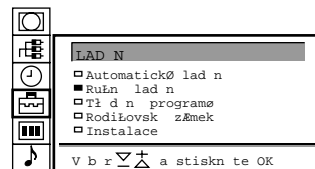
- 1 Za pomoci tlačítka \equiv nebo >+ zvolte symbol ?- (ladění) a stiskněte OK. Objeví se menu LADÁNĚ. (viz obr. 3)
- 2 Za pomoci tlačítka >+ nebo ?- zvolte Manu-Iní ladění a stiskněte OK. Objeví se menu MANU LNĚ LADÁNĚ. (viz obr. 7)
- 3 Tlačítka >+ nebo ?- zvolte programovou pozici (číselné tlačítko), na kterou chcete naladit požadovaný kan-l a stiskněte OK.
- 4 Je-li to nutné, zvolte tlačítka >+ nebo ?- systémem televizního vysílání nebo zdroj videosign-lu (EXT).
- 5 Potom stiskněte OK. Zvýrazní se pozice K. (viz obr. 8)
- 6 Tlačítka >+ nebo ?- zvolte C (k naladění standardního kan-lu), S (kabelov. televize) nebo F (pro ladění podle kmitočtu) a stiskněte OK. První místo čísla kan-lu UKá se zvýrazní. Jestliže jste v kroku 4 zvolili EXT, zvolte zdroj videosign-lu za pomoci tlačítka >+ nebo ?-. (viz obr. 9)

Existují dva způsoby, jak naladit kan-l. Znete-li číslo kan-lu, postupujte podle kroku 7 Manu-Iní volba nebo

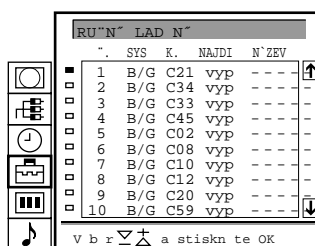
Neznáte-li číslo kan-lu, postupujte podle kroku 7 Vhled-vní.

- 7 Manu-Iní volba
 - a Zvolte první místo čísla kan-lu "K" tlačítka >+ nebo ?- nebo číselným tlačítkem a stiskněte OK. Zvýrazní se druhé místo čísla kan-lu "K".
 - b Zvolte druhé místo tlačítka >+ nebo ?- nebo číselným tlačítkem. Zvýrazní se druhé místo čísla kan-lu "K". (viz obr. 10)
 - c Stiskněte OK. Zvýrazní se pozice "Vhled-vní" a zvolený kan-l je uložen do paměti. (viz obr. 11)
 - d Tiskněte opakovaně OK, dokud se kurzor neobjeví u následující programové pozice.
 - e Opakujte kroky 3 až 7 pro naladění dalších kan-lů.

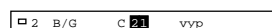
- 7 Vhled-vní
 - a Tiskněte opakovaně OK, dokud se nezmní barva pozice VYHLEDVNĚ.
 - b Začněte vyhledávat kan-l tlačítka >+ (nahoru) nebo ?- (dolů). Pozice K změní barvu. (viz obr. 12) Číslo kan-lu se začne mňnit nahoru a dolů. Zastaví se, jakmile je kan-l nalezen. (viz obr. 13)
 - c Stiskněte OK, chcete-li nalezený kan-l uložit. Jestliže ho nechcete uložit, stiskněte tlačítka >+ nebo ?- a pokračujte ve vyhled-vní.
 - d Tiskněte opakovaně OK, dokud se kurzor neobjeví na následující programové pozici.
 - e Opakujte kroky 3 až 7 pro naladění dalších kan-lů.



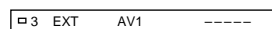
Obr. 6



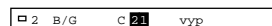
Obr. 7



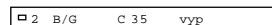
Obr. 8



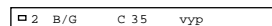
Obr. 9



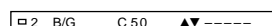
Obr. 10



Obr. 11

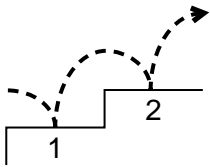


Obr. 12



Obr. 13

Další funkce předvolby



Tato kapitola popisuje další možnosti uspořádání programů jako je jejich týdenní nebo přesakování programových pozic, z-znam-n-zvu stanice, manuální přesně doladění a použití dítské pojistky.

Než začnete

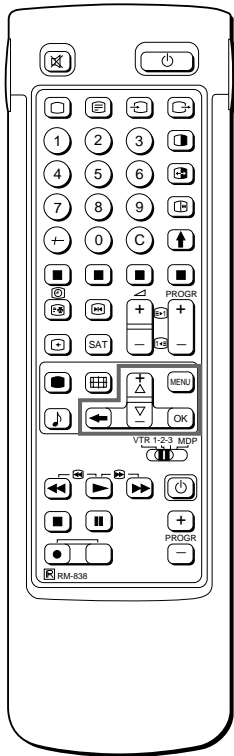
- Přesvědčte se, je-li d-íkově ovládní obr-ceno nahoru stranou pro všechny funkce.
- Nalezněte tlačítka pro ovládní menu.

Týdenní programových pozic

Pomocí této funkce můžete seřadit programové pozice do požadovaného pořadí.

- 1 Stiskněte tlačítko MENU, abyste zobrazili hlavní menu.
- 2 Za pomoci tlačítek >+ nebo ?- zvolte symbol (ladění) a stiskněte OK. Objeví se menu LADÁNÍ.
- 3 Za pomoci tlačítek >+ nebo ?- zvolte "Týdenní program" a stiskněte OK. Objeví se menu TÝDĚNĚ PROGRAMY. (viz obr. 14)
- 4 Tlačítka >+ nebo ?- zvolte programovou pozici, kterou chcete přesunout jinam a stiskněte OK. Barva zvolené pozice se změní. (viz obr. 15)
- 5 Tlačítka >+ nebo ?- zvolte programovou pozici, na kterou chcete posunout pozici zvolenou v kroku 4 a stiskněte OK. Nyní došlo k novému uspořádání pozic. (viz obr. 16)
- 6 Chcete-li změnit další programové pozice, opakujte kroky 4 a 5.

TÝDĚNĚ PROGRAMY



·	K.	N'ZEV	
1	C03	BBC 2	↑
2	C04	ITV	
3	C07	MBC	
4	C09	---	
5	C12	---	
6	C13	---	
7	C14	---	
8	C15	BBC 1	↓

Přesun PR 8 na PR - -
V b r a stisk te OK

Obr. 14

■ 8	C15	BBC1
-----	-----	------

Obr. 15

·	K.	N'ZEV	
1	C15	BBC 1	↑
2	C03	BBC 2	
3	C04	ITV	
4	C07	MBC	
5	C09	---	
6	C12	---	
7	C13	---	
8	C14	---	↓

Přesun PR 1 na PR - -
V b r a stisk te OK

Obr. 16

Pro vyřazení programové pozice
Menu na obrazovce
roluje automaticky.

Jestliže jste udělali chybu
Stiskněte tlačítko ,
abyste se vrátili k předchozí pozici.

N-vrat k hlavnímu menu


Dráete stisknuté tlačítko .

N-vrat k normálnímu
televiznímu obrazu
Stiskněte tlačítko
MENU.

Použití rozlícení p̄edvolby programů

Použitím menu rozlícení p̄edvolby programů můžete:

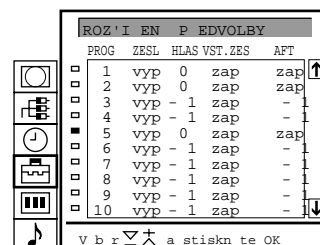
- v případě silného místního antennního signálu (nekvalitní obraz) zeslabit signál individuálně pro každou programovou pozici (RT tlumič).
- individuálně nastavit a uložit do paměti úroveň hlasitosti pro každý program (přeznění hlasitosti).
- v případě výrazného zvukového signálu z vysíláče (zkreslený zvuk) ztlumte zvukový signál jednotlivých pozic programu.
- manuálně dolaďování použijte k dosažení lepšího obrazu, je-li nekvalitní. Funkce AFT (automatické dolaďování) je standardně zapnuta.

- Stiskněte tlačítko MENU, abyste zobrazili hlavní menu.
- Za pomoci tlačítka >+ nebo ?- zvolte symbol  (ladění) a stiskněte OK. Objeví se menu LADÁNÍ.
- Za pomoci tlačítka >+ nebo ?- zvolte Ústave a stiskněte OK. Objeví se menu INSTALACE.
- Tlačítka >+ nebo ?- zvolte "Rozlícení p̄edvolby" a stiskněte OK. Objeví se menu ROZLÍCENÍ... P̄EDVOLBY. (viz obr. 17)
- Tlačítka >+ nebo ?- zvolte požadovanou programovou pozici a stiskněte OK: jednou a) volba "ZESL" (RF tlumič), dvakrát b) "HLAS" (přeznění hlasitosti), třikrát c) "VST.ZES" (zesilovač vstupu) nebo čtyřikrát pro volbu d) AFT (Automatic Fine Tuning - automatické dolaďování). Zvolení položka změní barvu.

Nastavení nebo změna:

- RF tlumič (ZESL)**
Tlačítka >+ nebo ?- zvolte "Zap" pro vybranou programovou pozici. Stiskněte OK, abyste potvrdili volbu. Chcete-li zeslabit signál u dalších programových pozic, opakujte krok 5.
 - Přeznění hlasitosti (HLAS)**
Tlačítka >+ nebo ?- můžete nastavit úroveň hlasitosti zvolené programové volby v rozsahu od -7 do +7.
Stisknutím tlačítka OK uložíte nastavení do paměti. Chcete-li nastavit úroveň hlasitosti u dalších programových pozic, opakujte krok 5.
 - VST.ZES (zesilovač vstupu)**
Tlačítka >+ nebo ?- zvolte Úvypá a vyberte pozici programu. Stisknutím tlačítka OK potvrdíte volbu. Chcete-li vypnout zesilovač vstupu u dalších programových pozic, opakujte krok 5.
 - AFT**
Tlačítka >+ nebo ?- můžete doladit program v rozsahu od -15 do +15. Stisknutím tlačítka OK uložíte nastavení do paměti. Chcete-li doladit další programy, opakujte krok 5.
- Stiskněte MENU, abyste se vrátili k normálnímu TV módu.

Aktivace funkce automatického dolaďování (AFT)
Postupujte od začátku a v kroku 5 zvolte "ZAP".



PROG	ZESL	HLAS	VST.ZES	AFT
1	vyp 0	zap	zap	↑
2	vyp 0	zap	zap	
3	vyp -1	zap	-1	
4	vyp -1	zap	-1	
5	vyp 0	zap	zap	
6	vyp -1	zap	-1	
7	vyp -1	zap	-1	
8	vyp -1	zap	-1	
9	vyp -1	zap	-1	
10	vyp -1	zap	-1	↓

V b r a stiskn te OK

Obr. 17

Přeskakování programových pozic

Nepoužívané programové pozice lze při volbě programu tlačítky PROG +/- přeskakovat. Přeskočené programy v akce lze vyvolat pomocí říselných tlačítek.

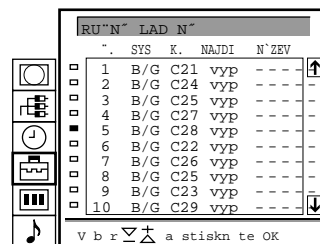
- 1 Stiskněte tlačítko MENU, abyste zobrazili hlavní menu.
- 2 Za pomoci tlačítka nebo >+ zvolte symbol ?- (ladění) a stiskněte OK. Objeví se menu LADÁNŮ.
- 3 Za pomoci tlačítka >+ nebo ?- zvolte "Ruční ladění" a stiskněte OK. Objeví se menu RU»NŮ LADÁNŮ. (viz obr. 18)
- 4 Pomocí tlačítka >+ nebo ?- zvolte programovou pozici, kterou chcete přeskocit a stiskněte OK. Pozice "SYS" změní barvu.
- 5 Tiskněte tlačítka >+ nebo ?-, dokud se v pozici SYSTEM neobjeví "---". (viz obr. 19)
- 6 Stiskněte OK. (viz obr. 20)
Budete-li volit programy tlačítky PROG +/-, bude tato programová pozice přeskakována.
- 7 Chcete-li přeskakovat další programové pozice, opakujte kroky 4 až 6.

Jestliže jste udělali chybu
Stiskněte tlačítko ≡, abyste se vrátili k předchozí pozici.

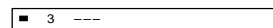
N-vrát k hlavnímu menu
Držte stisknuté tlačítko ≡.

N-vrát k normálnímu televiznímu obrazu
Stiskněte tlačítko MENU.

PROGR



Obr. 18



Obr. 19

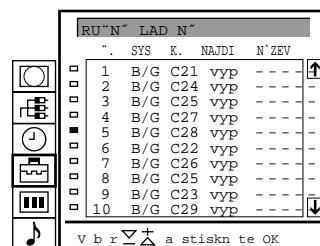


Obr. 20

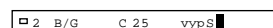
Znamení zvukové stanice

N-zvy předvoleb jsou automaticky převzaty z teletextu, pokud je vysílán. Stanici nebo zdroj videosignálu můžete "pojmenovat použitím až pěti znaků (písmen nebo říselnic), které se objeví na obrazovce (například BBC1). Pomocí této funkce snadno identifikujete program nebo zdroj videosignálu, který sledujete.

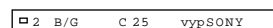
- 1 Stiskněte tlačítko MENU, abyste zobrazili hlavní menu.
- 2 Za pomoci tlačítka >+ nebo ?- zvolte symbol (ladění) a stiskněte OK. Objeví se menu LADÁNŮ.
- 3 Za pomoci tlačítka >+ nebo ?- zvolte "Ruční ladění" a stiskněte OK. Objeví se menu RU»NŮ LADÁNŮ. (viz obr. 21)
- 4 Pomocí tlačítka >+ nebo ?- zvolte programovou pozici, kterou chcete pojmenovat a tiskněte opakovaně OK, dokud se nezvýrazní první znak pozice N'ZEV.
- 5 Za pomoci tlačítka >+ nebo ?- zvolte písmeno nebo říselnic a stiskněte OK. Zvýrazní se další znak. Stejným postupem zvolte i další znaky.
Chcete-li nechat jedno místo volné, zvolte - a stiskněte OK. (viz obr. 22)
- 6 Po volbě všech znaků tiskněte opakovaně tlačítko OK, dokud se kurzor neobjeví u následující programové pozice (na levém okraji). Nyní je název zaznamenan. (viz obr. 23)
- 7 Chcete-li pojmenovat další programové pozice, opakujte kroky 5 a 6.



Obr. 21



Obr. 22


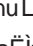


Obr. 23


Pokusĕte-li se zvolit
zablokovanĕ program
Na ěistĕ obrazovce se
objevĕ nĕpis "ZAMĚN"

Dĕtskĕ pojistka

U neĕdoucĕch programĕ lze zabrnĕt jejich vyvolnĕnĕ na obrazovce. Doporuĕujeme Vm pouĕĕvat tuto funkci, chcete-li zabrnĕt tomu, aby se dĕlĕtĕ divaly na programy, kterĕ považujete za nevhodnĕ.

- 1 Stisknĕte tlaĕĕtko MENU, abyste zobrazili hlavnĕ menu.
- 2 Za pomoci tlaĕĕtek >+ nebo >- zvolte symbol  (ladĕnĕ) a stisknĕte OK.
Objevĕ se menu LADĀNĚ.
- 3 Za pomoci tlaĕĕtek >+ nebo >- zvolte ŐRodiĕovskĕ z-mekĕ a stisknĕte OK.
Objevĕ se menu RODIĚOVSKĒ ZĕMEK. (viz obr. 24)
- 4 Pomocĕ tlaĕĕtek >+ nebo >- zvolte programovou pozici, kterou chcete zablokovat a stisknĕte OK.
Pĕed ěĕslem programu se objevĕ symbol , kterĕ ukazuje, ĕe je tento program zablokov-n. (viz obr. 25)
- 5 Chcete-li zablokovat dalĕ programovĕ pozice, opakujte krok 4.

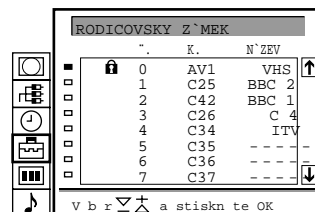
Zru enĕ zablokov-nĕ

- 1 V menu RODIĚOVSKĒ ZĕMEK zvolte tlaĕĕtky >+ nebo >- programovou pozici, kterou chcete odblokovat.
- 2 Stisknĕte tlaĕĕtko OK.
Symbol  zmizĕl na znamenĕ toho, ĕe je zablokov-nĕ zru eno.


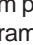


Pĕechodnĕ naladĕnĕ kan-lu

Mĕte moĕnost nastavit urĕitĕ kan-l doĕasnĕ, i kdyĕ nebyl uloĕen do pamĕti. Pouĕĕjte k tomu tlaĕĕtka na dĕlkovĕm ovl-d-nĕ na stranĕ se v ěmi funkcemi.

- 1 Stisknĕte tlaĕĕtko C na dĕlkovĕm ovl-d-nĕ. Pro volbu kabelovĕch kan-lĕ stisknĕte C dvakr-t.
Na obrazovce se objevĕ indikace "C" ("S" pro kabelovĕ kan-ly). (viz obr. 26)
- 2 Zadejte dvojmĕstnĕ ěĕslo kan-lu za pomoci ěĕselnĕch tlaĕĕtek (napĕ. pro kan-l 4 stisknĕte nejprve 0, potom 4).
Objevĕ se program zvolenĕho kan-lu.
Kan-l v ak nebude uloĕen do pamĕti.



Obr. 24

	.	K.	NĚV
	0	AV1	VHS
	1	C25	BBC 2
	2	C42	BBC 1
	3	C26	C 4

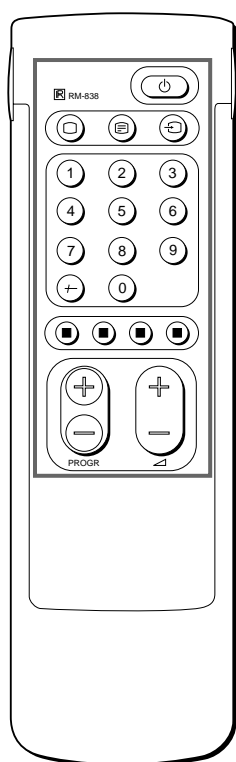
Obr. 25



Obr. 26

Pokyny k obsluze

Sledování televizního programu



Neobjeví-li se po stisknutí tlačítka ϕ na obrazovce žádný obraz a svítí-li indikátor pohotovosti na televizoru, je televizor ve stavu pohotovosti. Stiskněte tlačítka \square nebo jedno z číselných tlačítek, abyste ho zapnuli.

Tato kapitola popisuje základní funkce, které budete používat při sledování televizních programů. Většinu funkcí lze ovládat jednoduchou stranou dálkového ovládacího přístroje.

Zapnutí a vypnutí televizoru

Zapnutí

Stiskněte tlačítka ϕ na přístroji.

Krátkodobě vypnutí

Stiskněte tlačítka ϕ na dálkovém ovládacím přístroji.

Televizor se přepne do stavu pohotovosti a indikátor pohotovosti na přední straně televizoru se rozsvítí.

Opět zapnutí

Stiskněte tlačítka \square , PROG +/- nebo jedno z číselných tlačítek na dálkovém ovládacím přístroji.

Plně vypnutí

Stiskněte tlačítka ϕ na televizoru a indikátor na přední straně televizoru zhasne.

Volba televizních programů

Stiskněte tlačítka PROG +/- nebo číselná tlačítka.

Volba dvojmístné programové pozice

Stiskněte tlačítka +/-, potom číselná tlačítka.

Chcete-li zvolit například 23, stiskněte +/-, 2 a 3.

Nastavení hlasitosti

Stiskněte tlačítka \triangle +/-.

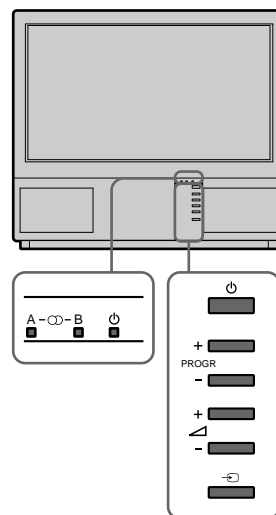
Ovládací prvky televizoru ovládacími prvky na přístroji

Chcete-li zadat číslo programové volby, stiskněte tlačítka PROG +/-.

Chcete-li nastavit hlasitost, stiskněte tlačítka \triangle +/-.

Chcete-li nastavit příjem videosignálu, stiskněte tlačítka \rightarrow .

Chcete-li nastavit obraz a zvuk na hodnoty nastavené výrobcem (funkce RESET - vymazání), stiskněte současně tlačítka PROG +/-.



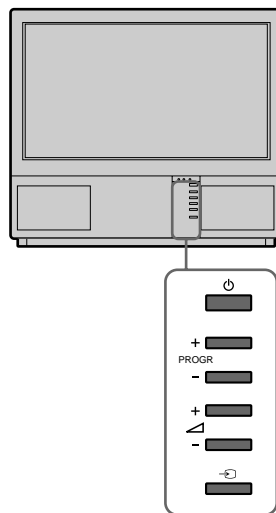
Sledování teletextu nebo videoprogramu

Sledování teletextu

- 1 Stiskněte tlačítko **_**, chcete-li sledovat teletext.
- 2 Chcete-li pracovat s teletextem, zadejte 3-místné číslo stránky, abyste se dostali na požadovanou stránku. Stiskněte jedno z barevných tlačítek, abyste spustili funkci fastext. Při obou režimech platí: stiskněte tlačítko **ç** (PAGE +) nebo **Y** (PAGE -) pro volbu následující nebo předchozí stránky.
- 3 K navrženému normálnímu televiznímu obrazu stiskněte tlačítko **O**.

Sledování videoprogramu

- 1 Tiskněte opakovaně **↺**, dokud se neobjeví požadovaný videovstup.
- 2 K navrženému normálnímu televiznímu obrazu stiskněte tlačítko **O**.



Podrobnosti o obsluze teletextu naleznete na str. 50.

Podrobnosti o sledování videoprogramu naleznete na str. 54.

Další užitečné funkce

Používejte stranu sevími funkcemi na dálkovém ovládacím.

Znázornění informací na obrazovce

- Stiskněte jednou tlačítko **∞**, abyste zobrazili všechny indikace. Ty po dvou sekundách zmizí.
- Stiskněte dvakrát tlačítko **∞**, aby se na obrazovce znázornilo číslo programové pozice a název stanice. Stiskněte jej opět dvakrát, aby tyto indikace zmizely.

Vypnutí zvuku

Stiskněte tlačítko **o**.
Chcete-li ho znovu zapnout, stiskněte znovu tlačítko **o**.

Zobrazení hodin

Stiskněte tlačítko **#**. Tato funkce je k dispozici pouze tehdy, je-li vysílán teletext. Chcete-li 'dát zrušit', stiskněte znovu tlačítko **#**.

Zobrazení tabulky programů

Stiskněte **OK**. Na levé straně obrazovky se objeví tabulka s programy (viz obr. 27).

Volba televizních programů

Stiskněte tlačítka **PROGR +/-** nebo zvolte požadovanou programovou volbu za pomoci tlačítek **>+** nebo **?+** a stiskněte **OK**.
Chcete-li, aby tabulka programů zmizela, stiskněte tlačítko **MENU**.

1	BBC	↑
2	SAT	
3	TV5	
4	C02	
5	C15	
6	RTL	
7	SKY	
8	S34	
9	AV1	
10	MTV	↓

Obr. 27

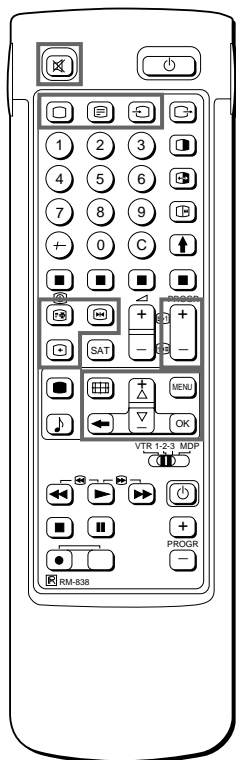
Zmrazení obrazu

Při sledování televizního programu můžete zmrazit obraz. Stiskněte tlačítko **⏸**. Tlačítko stisknete je třeba jednou, chcete-li program sledovat dál.

Změna formátu zobrazení

Opakovaným tisknutím tlačítka **⏏** můžete přepínat mezi následujícími formáty zobrazení:

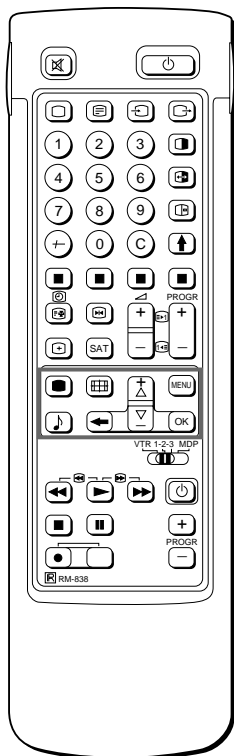
- 4:3 (obraz 4:3)
 - A Smart (imitace zobrazení 16:9 pro vysílání 4:3)
 - A Zvětšení (zoom) (imitace formátu 16:9 pro širokoúhlé filmy) nebo
 - A ©irokoúhlý (pro vysílání ve formátu 16:9).
- Další informace naleznete na stránce 49.

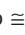



Nastavení a naladění televizoru pomocí menu

NASTAVENÍ OBRAZU

NASTAVENÍ ZVUKU



Jestliže jste udělali chybu
Stiskněte tlačítko ,
abyste se vrátili k předchozí pozici.

Návrat k hlavnímu menu
Držte stisknuté tlačítko .



Poznámky
• Barevný tón lze nastavit pouze u barevných systémů NTSC.
• Efekt Hall nelze využít se sluchátky.

Poznámka k vstupu LINE OUT
Hlasitost a způsob reprodukce duálního zvuku ze zdířek > na zadní straně odpovídají nastavení hlasitosti Sluchátka a způsobu reprodukce Dvoukanalový zvuk pro sluchátka.

Sledování stereofonního videoprogramu
Můžete zadat Dvoukanalový zvuk, abyste změnili zvuk.

Nastavení obrazu a zvuku

Ačkoli jsou obraz a zvuk nastaveny od výrobce, můžete je nastavit podle svého vkusu. Můžete poslouchat také dvojazyčné programy (dual sound), jsou-li vysílány nebo nastavit zvuk pro poslech se sluchátky. Dle možnosti nastavit zvuk podle svého vkusu za pomoci grafického equalizeru a speciálních zvukových efektů.

1 Stiskněte tlačítko  (pro obraz) nebo  (pro zvuk) na dle ovládacího panelu.

nebo

Stiskněte MENU a zvolte symbol  pro Nastavení obrazu a nebo  pro Nastavení zvuku, potom stiskněte OK.

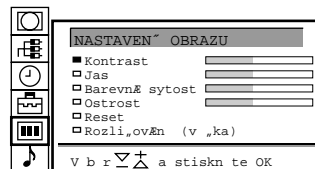
Objeví se menu NASTAVENÍ OBRAZU nebo NASTAVENÍ ZVUKU. (viz obr. 28 nebo obr. 29)

2 Za pomoci tlačítek >+ nebo ?& zvolte položku, kterou chcete nastavit a stiskněte OK. Zvolená položka změní barvu. (viz obr. 30)

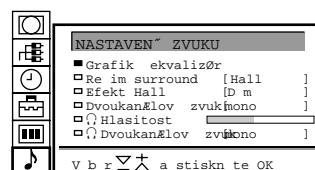
3 Změňte nastavení tlačítky >+ nebo ?& a stiskněte OK. Kurzor se objeví vedle následující položky (na levém okraji). (viz obr. 31)
/Ěinek jednotlivých ovládacích prvků naleznete v tabulce dole.

4 Chcete-li nastavit další položky, opakujte kroky 2 a 3.

5 Chcete-li se vrátit k normálnímu TV obrazu, stiskněte tlačítko MENU.



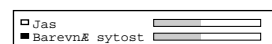
Obr. 28



Obr. 29



Obr. 30








Obr. 31

Ěinek jednotlivých ovládacích prvků


OVLÁDÁNÍ OBRAZU

/Ěinek

Kontrast	Níže  Vyšší
Jas	Tmavě  Světleji
Barevná sytost	Méně  Více
Barevný tón	Do zelená  Do červená
Ostrost	Měkče  Ostřejí
Reset	nastavení na hodnoty výrobce
Rozli, ovň	normální v,ka: nastavení vysoké kvality obrazu

OVLÁDÁNÍ ZVUKU

/Ěinek

Grafický equalizer	(další informace naleznete na straně 47)
Reim surround	Vyp: Normální → Dolby → Hall ↑
Efekt Hall (pouze je-li Hall zapnut)	Vběr mezi různými prostorovými efekty Pokoj → DŮm → ArĚna ↑
Dvoukanalový zvuk	A: levý kanál B: pravý kanál Stereo Mono Na TV se rozsvítí indikátor zvoleného režimu A-μ-B.
Sluchátka: Hlasitost Dvoukanalový zvuk	méně  více A: kanál 1 → B: kanál 2 → PAP (je-li PAP zapnuto, můžete si zvolit PAP zvuk pro sluchátka) Stereo → Mono

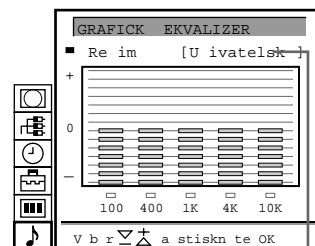
Grafický equalizer

Pomocí této funkce lze individuálně nastavit zvuk potlačením nebo zvýrazněním zvolených kmitočtových pásů. Dále je možné zvolit z následujících režimů:

Rovný → Pop → Rock → Jazz → Vocal → Uživatelský

Poznámka: Právy provedené v režimu "uživatelský" budou uloženy do paměti. Včetně ostatní nastavení budou při změně režimu nastavena na rovně zadané v řebcem.

- 1 V hlavním menu zvolte položku ÚNastavení zvuku, potom zvolte za pomoci tlačítek >+ nebo ?- "Grafický equalizer" a stiskněte OK. Objeví se menu GRAFICKÝ EQUALIZER. (viz obr. 32)
- 2 Stiskněte OK. Barva písma "Režim" se změní. Za pomoci tlačítek >+ nebo ?- zvolte požadovaný režim a stiskněte OK.
- 3 Chcete-li změnit nastavení režimu, zvolte za pomoci tlačítek >+ nebo ?- požadovaný sloupec frekvenčního pásma a stiskněte OK. Zvolené frekvence změní barvu. Tlačítka >+ nebo ?- nastavte úroveň tohoto kmitočtu a stiskněte tlačítko OK. Tímto způsobem lze nastavit všechny sloupce.
- 4 Stiskněte tlačítko MENU, abyste se vrátili k normální obrazovce.



Obr. 32

Rovný
Pop
Rock
Jazz
Vocal
Uživatelský

»ASOVÝ SPŮNA»

Vypnutí časového spínače
V kroku 3 zvolte "Vyp".

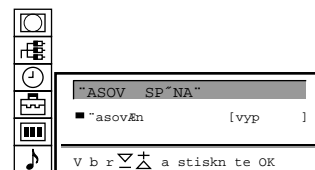
Kontrola zbývajících časů
Stiskněte tlačítko ∞.

Návrat k normálnímu televiznímu obrazu
Stiskněte tlačítko MENU.

Použití programovatelného vypnutí (pro usínání)

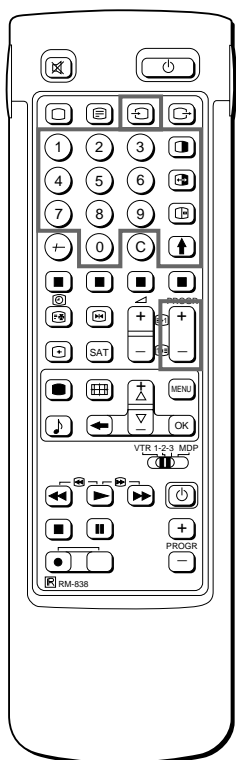
Můžete zadat čas, po jehož uplynutí se televizor automaticky přepne do pohotovostního stavu.

- 1 Za pomoci tlačítek >+ nebo ?- zvolte symbol ⊖ (pro časový spínač) a stiskněte OK. Objeví se menu »ASOVÝ SPŮNA». (viz obr. 33)
- 2 Stiskněte OK.
Položka pro časový sek. změní barvu.
- 3 Tlačítka >+ nebo ?- zvolte časový sek. »asov. sek. (v minutách) se mění následovně:
10 → 20 → 30 → 40 → 50 → 60 → 70 → 80 → 90
↑
- 4 Po zadání časového seku stiskněte OK.
Kurzor se vrátí k levému okraji a časový spínač se rozblhne. Jednu minutu před přepnutím televizoru do pohotovostní polohy se na obrazovce objeví upozornění.



Obr. 33

Funkce PAP (Picture and Picture - obraz a obraz)



Pomocí této funkce můžete zobrazit dvě obrazovky z-roveň. Takto můžete sledovat dva programy současně. Můžete také sledovat nebo monitorovat videoústup z jakéhokoli napojeného zařízení (např. z videorekordéru) během sledování televize nebo naopak. Informace o připojení dalšího zařízení naleznete na str. 53).



Zaplnění a vyplnění PAP

Stiskněte tlačítko pro zobrazení obrazovek ve formátu 8:9. Obrazovka PAP se zobrazí vedle hlavní TV obrazovky. Obrazovka PAP přenášá program ze zdroje, který byl zvolen při posledním použití televizoru.

Vypnutí PAP

Stiskněte opět .

Volba zdroje PAP

Stiskněte tlačítko .

V levém spodním rohu obrazovky se objeví symbol .

Stiskněte PROGR +/-, ěseln. tlačítka nebo pro zvolení požadovaného zdroje pro obrazovku PAP.

Přeplnění obrazovek

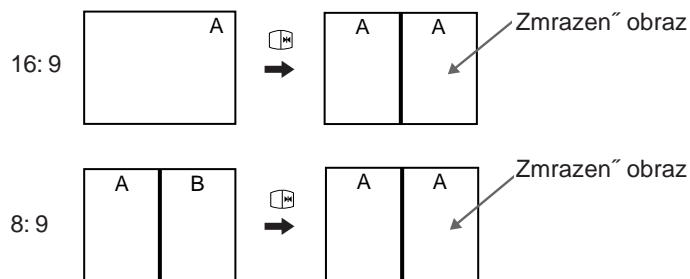
Stiskněte tlačítko .

Hlavní obrazovka se zamění s obrazovkou PAP.



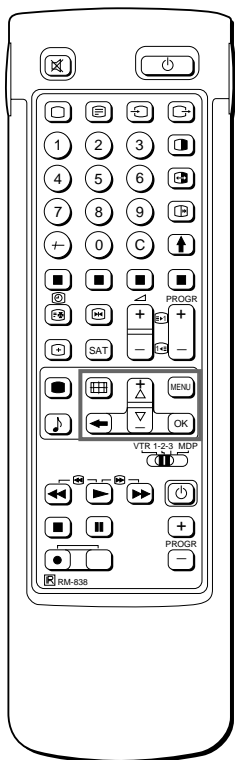
Zmrazení obrazu


Máte možnost "zmrazit" obraz obrazovky PAP. Stiskněte jednu tlačítko , pro zmrazení a dvakrát, chcete-li tuto funkci vypnout.



Poznámky


- Vstupní signál RGB nelze zobrazit v PAP.
- V režimu zvětšení (zoom) nelze PAP použít.
- Zvuk pravé obrazovky je možno poslouchat pouze přes sluchátka.
- Kvalitu obrazu bíle televize a obrazovek PAP se může lišit.



Chcete-li zvolit "Form-t obrazu" Form-t obrazu m̃æete zvolit takĚ stisknutím tlaĚtky  na d-iklovĚm ovl-d-nĚ.

Form-t obrazu/PAP p̃i uæitĚ menu

DĚky funkci a menu "Form-t obrazu" m-te moænost zmĚnit pomĚr zobrazení televizoru pro iroko`hlĚ efekty, ovl-dat reæim PAP nebo reprodukovat hlavní obraz po jednotliv`ch z-bĚrech (funkce stroboskopu).

- 1 StisknĚte tlaĚtko MENU, abyste zobrazili hlavní menu.
- 2 TlaĚtky >+ nebo ?- zvolte symbol  (pro Form-t obrazu) a stisknĚte OK. ObjevĚl se menu FORMĚT OBRAZU. (viz obr. 34)

M̃æete si vybrat jeden z n-sledujĚcích reæimŃ:

4:3 pro norm-lnĚ pomĚr 4:3 (viz obr. 35)

Smart: imitace efektu iroko`hlĚho pl-tna (16:9) pro vysĚlnĚ 4:3 (viz obr. 36)

Zoom imitace efektu iroko`hlĚho pl-tna (16:9) pro filmy vysĚlanĚ v iroko`hlĚm form-tu (viz obr.37).
nebo

Wide: pro vysĚlnĚ 16:9 (viz obr. 38).


- a) ZmĚna polohy obrazu (pouze pro funkci zoom)
P̃i pouæitĚ reæimu Zoom bude Ě-st obrazu naho`e a dole odĚznuta. Za pomoci funkce "Poloha obrazu" m̃æete posunout obraz nahoru nebo dolĚ, podle toho, kterou Ě-st odĚznutĚ obrazovky chcete vidĚt (nap. pro ĚtenĚ titulkĚ).

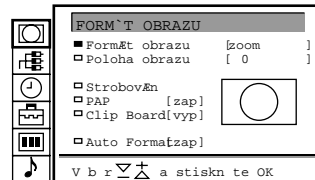
TlaĚtky >+ nebo ?- zvolte "Poloha obrazu" a stisknĚte OK. Zvolen- poloæka zmĚnĚ barvu. TlaĚtky >+ nebo ?- upravte polohu obrazu a stisknĚte OK.

- b) Strobov-nĚ (jednotlivĚ f-ze obrazu)
Za pomoci tlaĚtek >+ nebo ?- zvolte poloæku ŮStrobov-nĚ a stisknĚte OK. Na obrazovce bude zobrazen hlavní obraz "zpomalenĚ" snĚmek po snĚmku (viz obr. 39). PomocĚ tlaĚtek >+ nebo ?- zvolte rychlost pohybu (vĚbĚr ze 3 rychlostĚ). StisknĚte OK, chcete-li se vr-tit k norm-lnĚmu televiznĚmu reæimu.
- c) ZapnutĚ a vypnutĚ PAP
TlaĚtky >+ nebo ?- zvolte ŮPAP a stisknĚte OK. TlaĚtky >+ nebo ?- zvolte "Zap", aby se zobrazila obrazovka PAP ve form-tu 8:9, a "Vyp", chcete-li funkci vypnout. Potom stisknĚte OK.
- d) ŮZmrazenĚnĚ obrazovky PAP
TlaĚtky >+ nebo ?- zvolte ŮClip Board a stisknĚte OK. TlaĚtky >+ nebo ?- zvolte "Zap", abyste tĚm zmrazili obrazovku PAP. Stisknete-li "Vyp", vr-tĚte se k norm-lnĚmu obrazu.

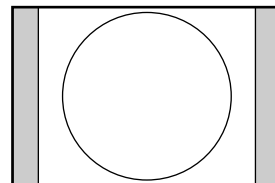
Auto Format

Jestliæe zapnete funkci Auto format (poloha ON) a jestliæe je p-en- en sign-l ve form-tu 16:9, zmĚnĚl se mŮd obrazovky automaticky z danĚho form-tu na form-t 16:9. Po skonĚenĚ programu vysĚlanĚm ve form-tu 16:9 se obrazovka automaticky vr-tĚl k p̃vodnĚmu form-tu.

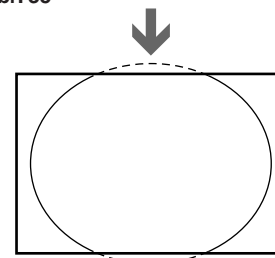
- 1 StisknĚte tlaĚtko MENU, abyste zn-zornili hlavní menu.
- 2 Zadejte symbol  pro ŮScreen Mode a (mŮd obrazovky) za pomoci tlaĚtek >+ nebo ?- a stisknĚte tlaĚtko OK. ObjevĚl se menu SCREEN MODE.
- 3 Za pomoci tlaĚtek >+ nebo ?- zadejte ŮAuto Format a stisknĚte OK.
- 4 Za pomoci tlaĚtek >+ nebo ?- zadejte Zap nebo Zyp a stisknĚte OK.



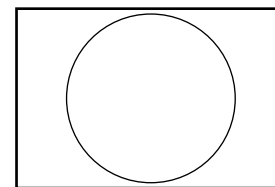
Obr. 34



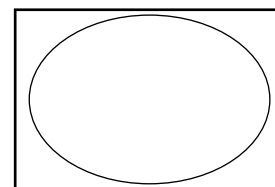
Obr. 35



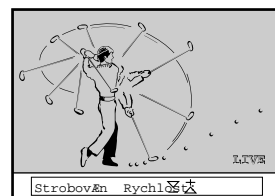
Obr. 36



Obr. 37

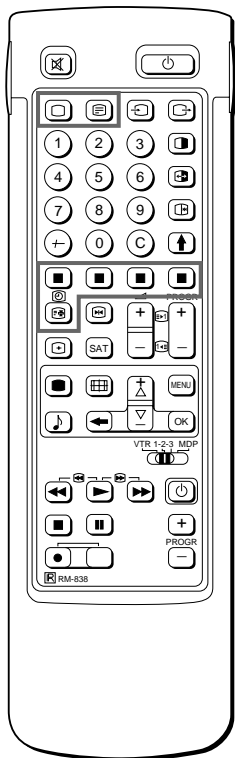


Obr. 38



Obr. 39

Teletext



Poznámka
Při slabém přijímaném signálu může docházet v teletextu k chybám.

S jednoduchou stranou dlekového ovládacího panelu můžete zapínat a vypínat teletext, ovládat Fasttext a přímo zadávat čísla stránek.

Poznámka
Funkce Fasttext pracuje pouze tehdy, jestliže daná stanice vysílá signály Fasttextu.

Některé televizní stanice vysílají na svých kanálech informační servis nazvaný teletext. Teletext umožňuje příjem různých informačních stránek jako je například odpověď poštou nebo zpráva kdykoli si přejete. Pro využití všech možností teletextu používejte stranu dlekového ovládacího panelu pro úplné ovládací.

Funkce s přímým přístupem

Zapnutí a vypnutí teletextu

- 1 Vyberte televizní kanál přímým způsobem vysílání teletextu, který chcete sledovat.
- 2 Stiskněte tlačítko **[]**, abyste zapnuli teletext. Zobrazí se stránka teletextu (obvykle stránka s obsahem). Nemá-li teletext vysílán, objeví se v informační části obrazovky zpráva "Teletext není vysílán".

Vypnutí teletextu

Stiskněte tlačítko **[0]**.

Volba stránky teletextu

S přímou volbou stránky

Používejte číselná tlačítka k zadání číselníku zvolené stránky.

Jestliže se zmůžete, zadejte si libovolné číslo. Potom znovu zadejte správné číslo stránky.

Vzhledové stránky

- 1 Zvolte stránku teletextu s přehledem stran (například stránka s obsahem).
- 2 Stiskněte **[OK]**. Za pomoci tlačítek **[>+]** nebo **[?–]** zvolte požadovanou stránku. Na informační části se objeví zpráva "Page catching". Stiskněte **[OK]**. Za několik sekund se objeví požadovaná stránka. Stiskněte tlačítko **[]**, abyste se vrátili k normálnímu přímému teletextu.

Přechod na další nebo předchozí stránku

Stiskněte tlačítko **[PAGE+]** nebo **[PAGE-]**. Objeví se následující nebo předchozí stránka.

Současné zobrazení teletextu a televizního programu

- Během sledování teletextu stiskněte tlačítko **[]** jednou, během sledování televizního programu dvakrát.
- Stiskněte znovu tlačítko **[]**, abyste se vrátili k normálnímu přímému teletextu.

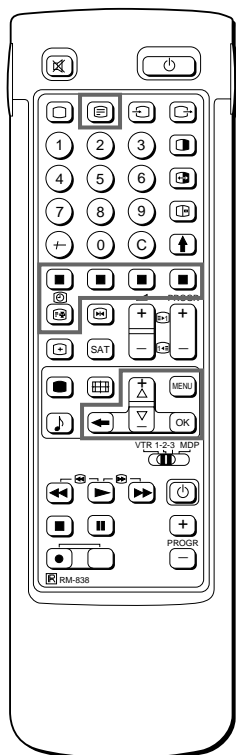
Zamezení aktualizace stránky teletextu

- Stiskněte tlačítko **[]** (HOLD - podržet). Na informační části obrazovky se objeví symbol "[]".
- Stiskněte tlačítko **[]**, abyste se vrátili k normálnímu přímému teletextu.

Použití funkce Fasttext

Pomocí funkce Fasttext můžete vyvolat stránky jediným stisknutím tlačítka. Je-li vysílána stránka s Fasttextem, objeví se ve spodní části obrazovky barevné kódy menu. Barvy tohoto menu odpovídají červenému, zelenému, žlutému a modrému tlačítku na dlekovém ovládací panelu.

Stiskněte na dlekovém ovládací panelu barevné tlačítko odpovídající barvě menu. Během několika sekund se objeví zvolená stránka.



Poznámka
V závislosti na vysílání
teletextu nemusí být
všechny funkce
dostupné.

Stiskněte OK,
abyste vybrali
úvodní stránku
s časem
a vypnuli tak její
aktivaci.

Použití menu teletextu

Tento televizor je vybaven systémem ovládnutí teletextu prostřednictvím menu. Je-li teletext zapnut, můžete ovládnout menu teletextu za pomoci tlačítek pro bližší ovládnutí menu. Funkce menu teletextu zadáte následovně:

- 1 Stiskněte tlačítko MENU. Menu se znázorní přes obrazovku teletextu. (viz obr. 40)
- 2 Za pomoci tlačítek >+ nebo ?- zadejte požadovanou funkci teletextu a stiskněte OK. (viz obr. 41)

UŘÍVATELSK... STRÁNKY/VOLBA

UŘÍVATELSKÝCH STRÁNEK

Informace o předvolbě a ovládnutí úvodních stránek naleznete na straně 52.

OBSAH

Obsah (index) poskytuje přehled obsahu teletextu a odeslovní stránek.

HORNĚ/DOLNĚ/PLNĚ

Pro pohodlnější čtení můžete stránku teletextu zvětšit, přičemž tato může rolovat nahoru a dolů. Po zadání funkce se objeví informační řádka Horně/Dolně/Plně. (viz obr. 42)

Stiskněte tlačítko >+ pro "Horně", chcete-li zvětšit horní polovinu. Chcete-li zvětšit dolní polovinu, stiskněte ?- pro "Dolně". Pro návrat k normálnímu zobrazení "Plně" stiskněte OK.

Stiskněte tlačítko _ , abyste se vrátili k normálnímu přehledu teletextu.

VYMAZÁNÍ TEXTU

Zadejte-li tuto funkci, můžete blíže zkontrolovat na další stránku teletextu sledovat normální televizní program. (Symbol změny barvy) (viz obr. 43)

Stiskněte tlačítko _ , abyste se vrátili k normálnímu přehledu teletextu.

TITULKY

Všechny údaje teletextu v souboru budou informovat, je-li televizní program opatřen titulky.

Po zvolení této funkce se titulky objeví.

SKRYTÝ TEXT

Někdy obsahují stránky skryté informace, jako například odpovědi na kvízy. Menu SKRYTÝ TEXT Vám umožní tyto informace odkrýt. Po zvolení této funkce se na informační řádce objeví "Odkrýt text ano/ne." (viz obr. 44)

Za pomoci tlačítek >+ nebo ?- zadejte "ZAP", chcete-li skrytou informaci zobrazit nebo "VYP", chcete-li ji opět zakrýt.

Stiskněte tlačítko _ , abyste se vrátili k normálnímu přehledu teletextu.

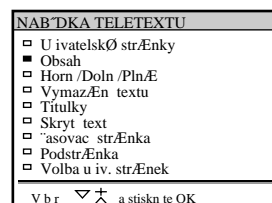
STRÁNKY A »ASEM

Všechny údaje teletextu v souboru budou informovat o tom, je-li k dispozici časová úvodní stránka. Stránka (například stránka s budíkem) se může zobrazit v případě zadaného času.

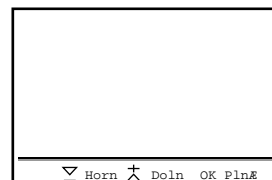
- 1 Na spodní straně stránky se zobrazí informační okénko. Za pomoci tlačítek >+ nebo ?- zadejte "ZAP" a stiskněte OK.
- 2 Za pomoci číselných tlačítek zadejte číselné číslo požadované stránky (například 452) a stiskněte OK.
- 3 Za pomoci číselných tlačítek zadejte číselný kód pro čas (například 1800) a stiskněte MENU. Zadaný čas se zobrazí v horním levém rohu. V požadovaném čase bude zadaná stránka zobrazena. Stiskněte tlačítko _ , abyste se vrátili k normálnímu přehledu teletextu.



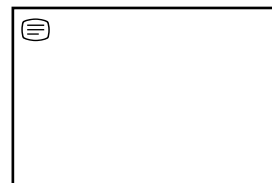
Obr. 40



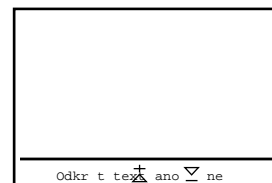
Obr. 41



Obr. 42



Obr. 43



Obr. 44

Zruení požadavku
Zvolte "Podstranka" a
stiskněte OK.

Vysílají-li dvě stanice
tentéž teletext
Můžete použít jednu
banku pro 2 různé
programové pozice.

PODSTRANKA

Máte možnost zvolit určitou podstranku teletextu z několika podstranek, které se automaticky střídají. Po volbě této funkce se zobrazí informační řádek.

Chcete-li zvolit požadovanou podstranku, zadejte číselnice za pomoci tlačítek PROGR +/- nebo číselných tlačítek (např. 0002 pro podstranku 2).

Banka uživatelských stránek

V systému "banky uživatelských stránek" můžete uložit až 30 stránek teletextu. Tímto způsobem získáte rychlý přístup k často sledovaným stránkám.

Ukládání stránek

K dispozici je 5 "bank" (A až E) pro 5 teletextových stanic. V každé bance lze uložit 6 zvolených stránek. (P1 až P6).

- 1 Stiskněte tlačítko **_** (není-li teletext již zapnut) a tlačítko **MENU**, abyste vyvolali menu teletextu.
- 2 Za pomoci tlačítek **>+** nebo **?-** zvolte **ÚVOLBA UŽIVATELSKÝCH STRÁNEK** a stiskněte **OK**.
- 3 Tlačítka **>+** nebo **?-** vyberte požadovanou banku a stiskněte **OK**. Kurzor skočí na první pozici (P1) zvolených stránek.
- 4 Zadejte číselnými tlačítky číselnice první vmi zvolené stránky. Kurzor se přesune na druhou pozici.
- 5 Opakujte krok 4 pro dalších 5 stránek, které chcete uložit do paměti. Nechcete-li využívat všechny 6 stránek, stiskněte **OK**, aniž byste zadali jakékoli čísla. Když ukončíte zadávání, stiskněte opakovaně **OK**, dokud se kurzor neobjeví na levé straně vedle dalších banky.
- 6 Za pomoci tlačítek **>+** nebo **?-** zvolte "Přidání banky" a stiskněte **OK**.
- 7 Za pomoci tlačítek **>+** nebo **?-** zvolte programovou pozici, pro kterou jste stránku přidali a stiskněte **OK**. (viz obr. 45)
- 8 Za pomoci tlačítek **>+** nebo **?-** zvolte požadovanou banku (k dispozici jsou banky A až E) a stiskněte **OK**.
- 9 Opakujte kroky 3 až 8 pro ostatní 4 banky, které jsou k dispozici.

Zobrazení uživatelských stránek

- 1 Stiskněte **MENU**.
- 2 Za pomoci tlačítek **>+** nebo **?-** zvolte **UŽIVATELSKÝCH STRÁNEK** a stiskněte **OK**. Zobrazí se tabulka se stránkami uloženými v paměti. (viz obr. 46)
- 3 Vyberte si požadovanou stránku za pomoci tlačítek **>+** nebo **?-** a stiskněte **OK**. Stránka se zobrazí během několika sekund.

nebo

Pro rychlý přístup k prvním čtyřem uživatelským stránkám můžete použít barevná tlačítka dle následujícího ověření. Strana 1 (P1) je shodně s červeným tlačítkem, strana 2 (P2) se zeleným, strana 3 (P3) se žlutým a strana 4 (P4) s modrým tlačítkem. Chcete-li zvolit požadovanou stránku, stiskněte tlačítko odpovídající barvy, pokud jste již v televizním režimu. Číslo stránky teletextu se objeví bíle v horním levém rohu obrazovky. Zmínka barvy čísla stránky znamená, že je daná stránka dostupná. Stiskněte znovu barevné tlačítko stránky, abyste ji zobrazili.

VOLBA UŽIVATELSKÝCH STRÁNEK						
BANKA	P1	P2	P3	P4	P5	P6
A	300	255	456	234	200	179
B	200	120	301	303	550	345
C	100	220	300	444		
D	128	321	255			
E	400	238	240	118	127	

Přidání banky
 Č. NÁZEV BANKA Č. NÁZEV BANKA
 00 VHS 04 MTV D
 01 BBC1 A 05 SKY B
 02 BBC2 C 06 ITV C

V b r **↕** a stiskněte OK

Obr. 45

UŽIVATELSKÝ	STRÁNKY	BANKA	A
<input checked="" type="checkbox"/>	STRÁNKY 300		
<input type="checkbox"/>	STRÁNKY 200		
<input type="checkbox"/>	STRÁNKY 203		
<input type="checkbox"/>	STRÁNKY 500		
<input type="checkbox"/>	STRÁNKY 234		
<input type="checkbox"/>	STRÁNKY 159		

V b r **↕** a stiskněte OK

Obr. 46

Připojení a ovládání dalšho zařízení

Připojení dalšho zařízení

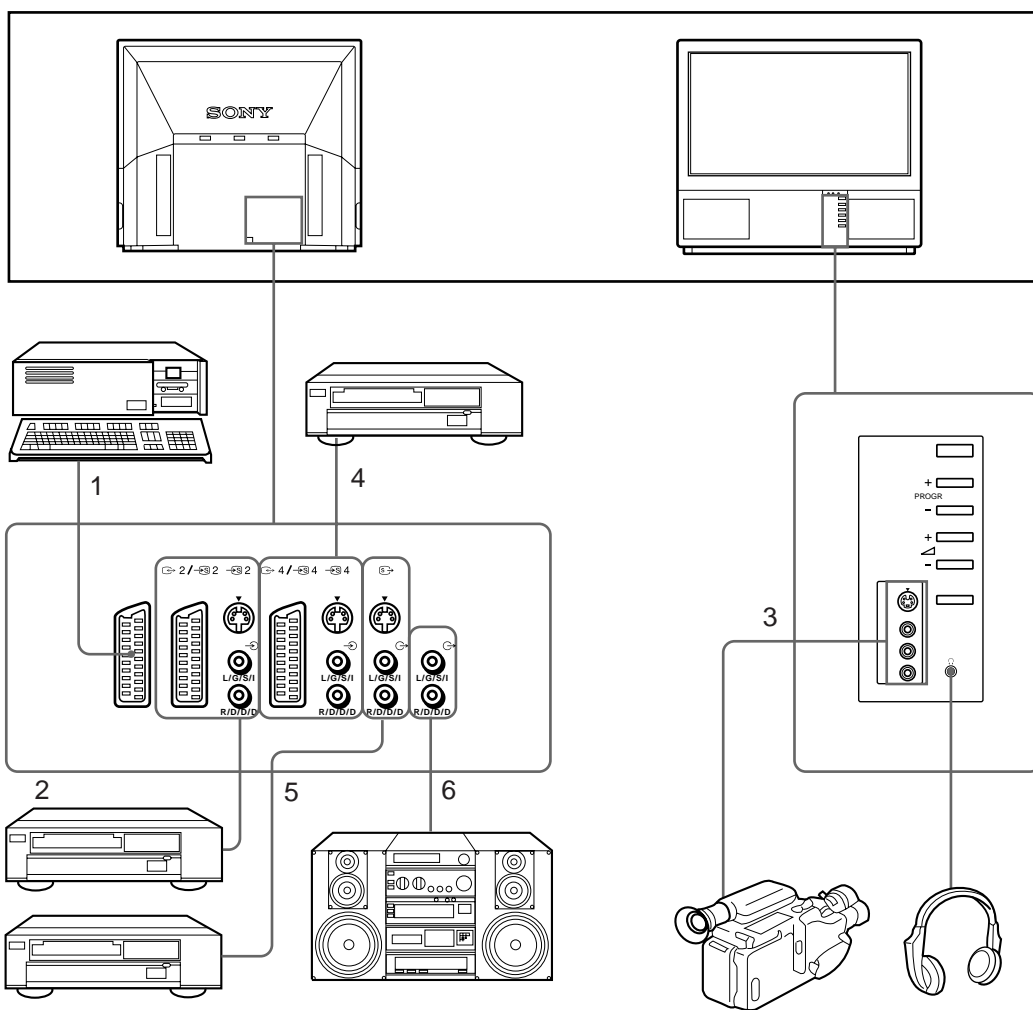
K tomuto televizoru mŕete připojit dalš audiovizuální zařízení jako je videorekordér, přehrvaš videodisk a stereofonní hi-fi systŕmy.

Připojení videorekordéru do zdŕky)
 Připojte antŕnní vřstup videorekordéru do zdŕky) na televizoru. Doporušujeme naladit videosignál na programovou pozici "0". Podrobnosti naleznete v kapitole "Manuální ladění" na straně 39.

Je-li obraz nebo zvuk rušen
 Umistěte videorekordér do vřtí vzdlenosti od televizoru.

Vstup S video (vstup Y/C)
 Videosignál lze rozdělit na složky Y (luminance nebo jas) a C (chroma nebo barva). Oddělení signálů Y a C zabrŕuje jejich vzjemnš interferenci a zlepšuje proto kvalitu obrazu (zvl. tš jasovou složku). Tento televizor je vybaven tšmi vstupními zdŕkami, jimž lze přivšst oddělenš signály pšmo.

Připojení monofonního videorekordéru
 Zapojte do televizoru i do videorekordéru pouze bílý konektor →.



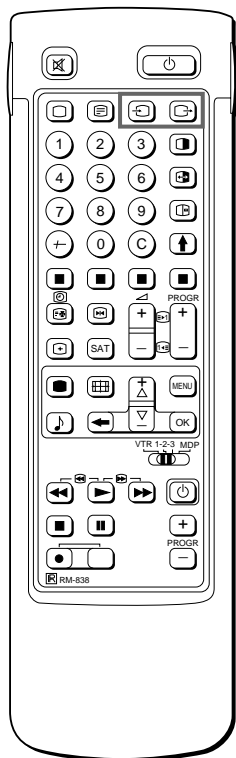
Připustnš vstupnš signál

- 1 Normální audio/video signál a RGB signál
- 2 Normální audio/video signál a S video signál
- 3 Normální audio/video signál a S video signál
- 4 Normální audio/video signál a S video signál
- 5 Šdnš vřtupy
- 6 Šdnš vřtupy

Vřstupnš signál

- Video/audio z televizního tuneru
- Video/audio ze zvolenšho zdroje
- Šdnš vřtupy
- Video/audio na televizoru (monitorovš vřstup)
- S/video/audio signál zobrazen na televizoru (monitorovš vřstup)
- Audio signál (variabilní)

Volba vstupu tlačítky
 PROGR +/- nebo
 Ěselnmi tlačítky
 Vstupní videosign-ly
 můžete uložit do paměti
 programových pozic a
 potom je můžete
 vyvolvat tlačítky
 PROGR +/- nebo
 Ěselnmi tlačítky.
 Podrobnosti naleznete v
 kapitole ÚManu-Iní
 ladění na straně 39.



Volba vstupu a výstupu

Tato kapitola popisuje, jak můžete sledovat videosign-l (sign-l ze zdroje připojeného na televizor) a jak volit výstupní sign-l pomocí tlačítek přímého přístupu nebo systémem menu.

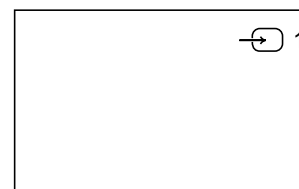
Volba vstupu

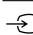
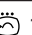


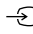
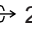
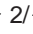
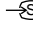

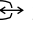



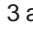
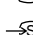
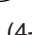

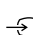
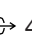
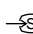
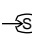


Pro volbu zdroje videosign-ly tiskněte opakovaně .
 Objeví se symbol zvoleného zdroje sign-ly.


N-vrat k norm-inímu televiznímu obrazu

Stiskněte tlačítko 0.


Vstupní režimy

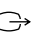


Symbol	Vstupní sign-l
 1	Audio/video vstup přes konektor  1
 1	Audio/RGB Vstup přes konektor  1
 2	Audio/video vstup přes konektor  2/  2
 2	Audio/S video vstup přes konektor  2/  2 nebo  2 (4-kolíkovi konektor)
 3	Audio/video vstup přes konektor  3 a  3 vepědu
 3	S video vstup přes konektor  3 (4-kolíkovi konektor) vepědu
 4	Audio/video vstup přes konektor  4/  4
 4	S video vstup přes konektor  4/  4 nebo  4 (4-kolíkovi konektor)

Druh vstupu můžete zvolit také za pomoci tlačítka  na televizoru.

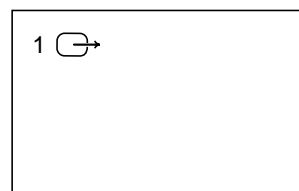
Volba výstupu

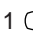
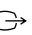
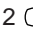

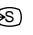
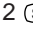

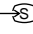

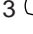
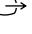
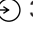
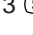

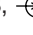
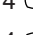


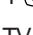


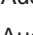

Na zděku  2 je přiveden výstup vstupního sign-ly z ostatních zděek.

Pro volbu výstupu tiskněte opakovaně .

Objeví se symbol zvoleného zdroje výstupu.


Výstupní režimy



Symbol	Vstupní sign-l
1 	Audio/video sign-l ze zděky  1
2 	Audio/video sign-l ze zděky  2/  2
2 	Audio/S video sign-l ze zděky  2/  2 nebo  2 (4 kolíky)
3 	Audio/video sign-l ze zděky  3,  3
3 	Audio/S video sign-l ze zděky  3,  3
4 	Audio/video sign-l ze zděky  4/  4
4 	Audio/S video sign-l ze zděky  4/  4 nebo  4 (4 kolíky)
TV 	Audio/video sign-l z antěnní zděky)

Použití AV předvolby

Pomocí této funkce můžete přidělit požadovaný zdroj signálu (např. 1, signál RGB) k určitému AV vstupu (AV1). Takto napojený videorekordér se automaticky přepne na signál RGB.

- 1 Za pomoci tlačítek >+ nebo ? zvolte symbol  pro U Ladění a stiskněte OK.
- 2 Za pomoci tlačítek >+ nebo ? zvolte U Instalace, potom U AV předvolby a stiskněte OK.

Objeví se menu AV PŘEDVOLBY. (viz obr. 47)

- 3 Za pomoci tlačítek >+ nebo ? zvolte požadovaný AV vstup a stiskněte OK.

- 4 Tlačítka >+ nebo ? zvolte požadovaný zdroj a stiskněte OK. Pro přístup k AV vstupům a sledujícím možnostem:

AV1	RGB nebo AV	AV3	YC3 nebo AV
AV2	YC2 nebo AV	AV4	YC4 nebo AV

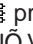
- 5 Chcete-li označit AV vstup a zvem, zvolte U Zvolte tlačítka >+ nebo ? a stiskněte OK. Tlačítka >+ nebo ? zadejte písmeno nebo číslo a stiskněte OK. Další místo se zvýrazní. Zadejte další znaky stejným způsobem. Chcete-li nechat jedno místo prázdné, zadejte U a stiskněte OK.

Po zadání všech znaků znovu stiskněte opakovaně OK, dokud se kurzor neobjeví u dalšího AV vstupu na levé straně.

- 6 Pro další AV vstupy opakujte kroky 3 až 6.

Kontrola a volba vstupních a výstupních zdrojů pomocí menu

Můžete zobrazit menu, které podívá na zdrojích napojených na hlavní obrazovku a na obrazovku PAP a o napojeném výstupním signálu. Pomocí tohoto menu je můžete také vybrat.

- 1 Za pomoci tlačítek >+ nebo ? zvolte symbol  pro U Napojení videa a stiskněte OK. Objeví se menu NAPOJENÍ VIDEO. (viz obr. 48)

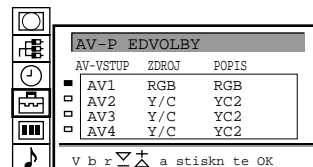
Uvidíte, který zdroj je zvolen pro hlavní obrazovku, pro obrazovku PAP a pro výstup. Chcete-li pomocí tohoto menu zvolit vstup a výstup, pokračujte dalším krokem.

- 2 Tlačítka >+ nebo ? zvolte TV obrazovku (vstupní zdroj pro obrazovku), PAP (vstupní zdroj pro obrazovku PAP) nebo výstup (výstupní signál) a stiskněte OK. Jeden ze zdrojů signálu změní barvu.

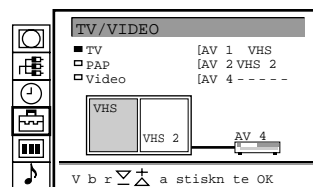
- 3 Zvolte požadovaný zdroj tlačítka >+ nebo ?. Další informace o jednotlivých zdrojích naleznete v tabulce na straně 54.

- 4 Stiskněte OK. Zvolený zdroj je potvrzen, kurzor se objeví.

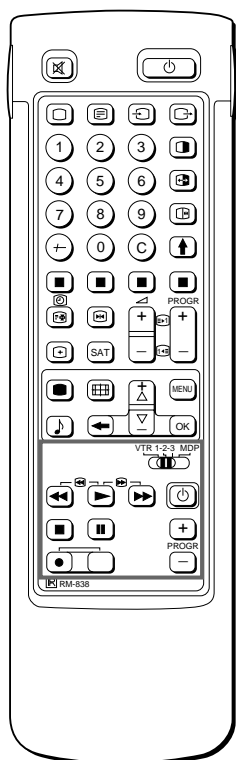
- 5 Chcete-li zadat zdroje pro jiné vstupy a výstupy, opakujte kroky 2 až 4.



Obr. 47



Obr. 48



Dálkově ovládní jiných přístrojů Sony

Dálkově ovládní pro tento televizor můžete použít pro ovládní vlt iný dálkoví ovladatelných videopřístrojů Sony jako například: videorekordéry beta, 8 mm a VHS a přehravače video-CD.

Nastavení dálkověho ovládní na jednotlivé přístroje

- 1 Nastavte přepínač VTR 1/2/3 MDP podle přístroje, který chcete ovládat:

VTR1: Videorekordér Beta

VTR2: Videorekordér 8 mm

VTR3: Videorekordér VHS

MDP: Přehravač video-CD

- 2 K ovládní uvedených přístrojů použijte tlačítka označená na obrázku.

Je-li V. videopřístroj vybaven přepínačem COMMAND MODE, nastavte ho do stejné polohy, do jaké je nastaven přepínač VTR 1/2/3 MDP na dálkovém ovládní pro televizor.

Nem-li ovládní přístroj danou funkci, nebude přislu nĚ tlačítka na dálkovém ovládní fungovat.

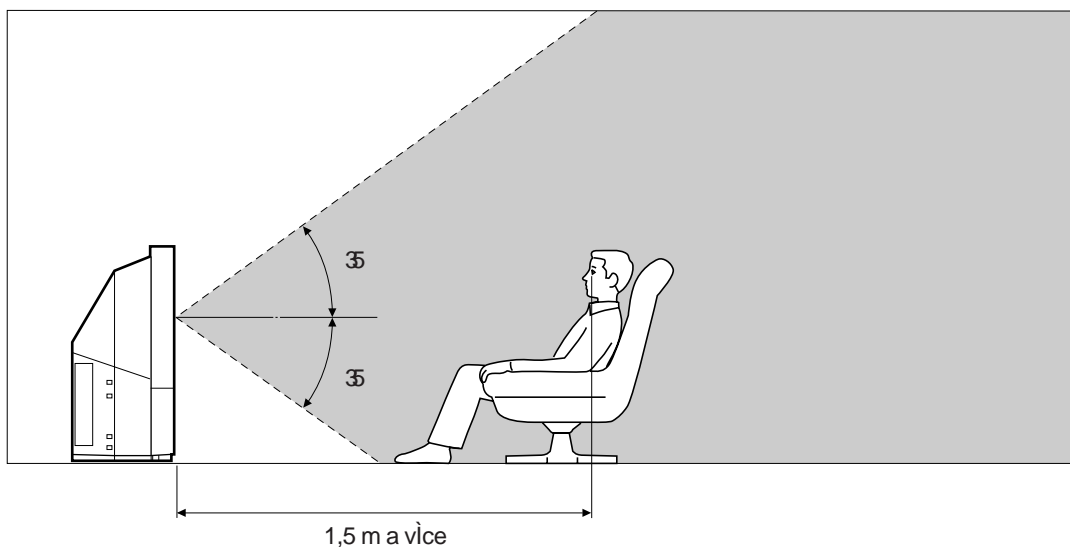
Znam

Použijte-li tlačítka α (z-znam), nezapomívejte stisknout toto tlačítka současně s tlačítkem vpravo od něj.

Oblast optim-iního poslechu

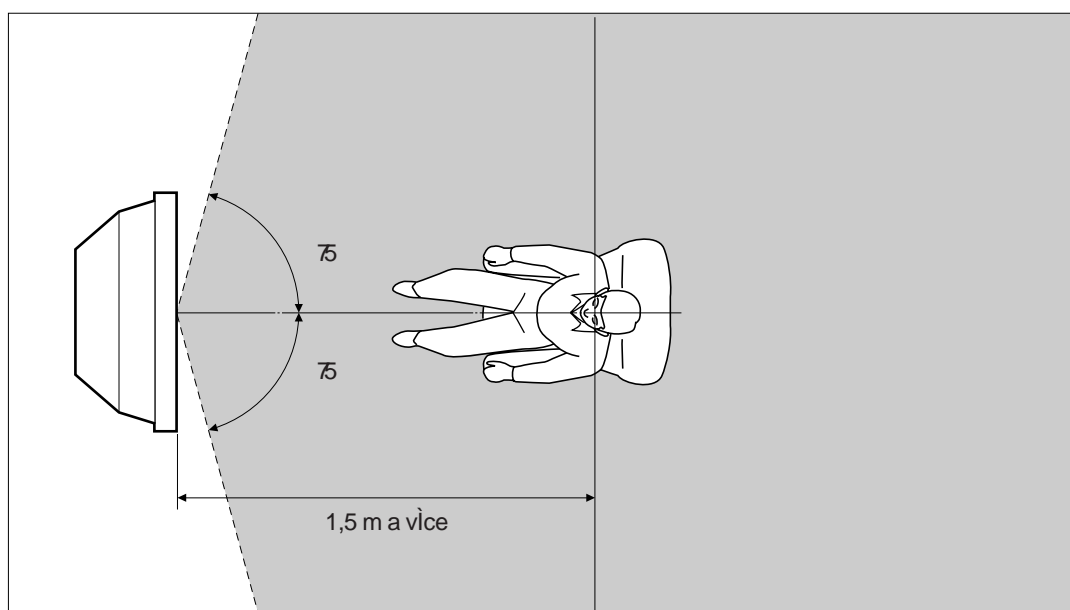
Pro optim-iní kvalitu obrazu se pokuste umístit tento televizor tak, abyste ho mohli sledovat z míst zakreslených na následujících obrázcích.

Horizont-iní oblast optim-iního poslechu



CZ

Vertik-iní oblast optim-iního poslechu



Výmĕna æ-rovky

Æivotnost æ-rovky obn. ě pĕibl. 6000 hodin. Jestliæe æ-rovka ztmavne nebo nenĕ-li barva obraz norm.lnĕ, nahraĎte ji novou æ-rovkou (je souĕ.stĕl pĕĕslu enstvĕl).

Nebudete-li se ědit n.sledujĕcĕmi bezpeĕnostnĕmi opatĕenĕmi, mĕæete si pĕĕvodit poranĕnĕ nebo po kodit za ězenĕ Va ě dom.cnosti.

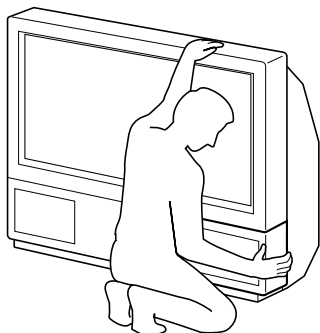
- Je-li tĕeba vymĕnit æ-rovku, pouæijte pouze æ-rovku z pĕĕslu enstvĕl. Poæijete-li jinou æ-rovku, mĕæete tĕm po kodit V. televizor.
- Æ-rovku z pĕĕstroje nevyjĕmte, nenĕ-li tĕeba ji vymĕnit za novou. Mohli byste tĕm mohli zpĕsobit pĕehĕtĕl nebo poæ.r.
- Pĕed vĕmĕnou æ-rovky vypnĕte televizor a vyt.hnĕte pĕĕvodnĕ kabel ze z.suvky.
- Vymĕĕte æ-rovku, jakmile vychladne. Pĕednĕ sklo æ-rovky je rozeĕtĕ na 100 C (212 F), nebo vĕce aæ do 30 minut po vypnutĕ televizoru.
- Vymĕĕnou æ-rovku neodkl.dejte do dosahu dĕtĕl ani na hoĕlavĕ materi.ly.
- Vymĕĕnou æ-rovku nevystavujte vlhkosti, ani do nĕl nevkĕ.dejte æ.dnĕ pĕedmĕty. Mohlo by to zapĕĕinit jeĕl explozi.
- Do blĕzkosti otvoru po æ-rovce nevkĕ.dejte æ.dnĕ kovovĕ pĕedmĕty ani hoĕlavĕ materi.ly, protoæe by to mohlo zapĕĕinit poæ.r. Nesahejte rukou do otvoru pro æ-rovku, abyste se nepop.lili.
- Novou lampu pevnĕ ut.hnĕte. Nenĕ-li pevnĕ ut.aæena, mĕæe to zapĕĕinit ztmavnutĕ obrazu nebo vznik poæ.ru.

1 Vypnĕte televizor a vyt.hnĕte pĕĕvodnĕ kabel ze z.suvky.

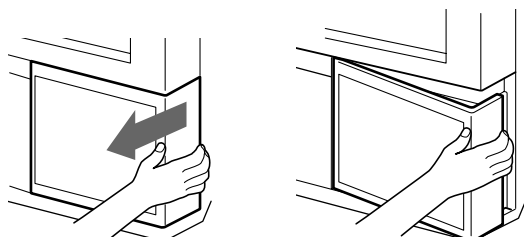
Æ-rovku vymĕĕte po uplynutĕl nejmĕnĕ 30 minut po vypnutĕ televizoru.

Pĕĕpravte si novou æ-rovku.

2 Odstraĕte pĕednĕ panel.

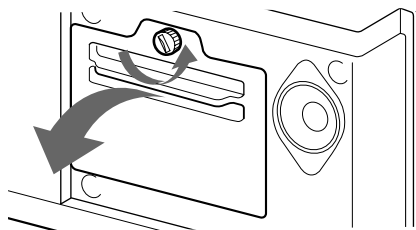


Odstraĕte pĕednĕ panel, aniæe byste pohybovali televizorem.



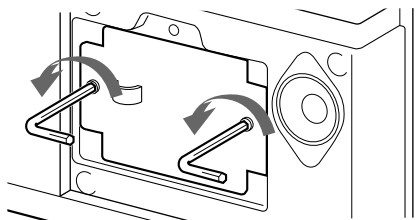
Uchopte pĕednĕ panel na stranĕl a posuĕte ho smĕrem dopĕdu. Dejte pozor, abyste si pĕĕitom nezlomili nehty.

3 Uvolnĕte roub pĕedmĕtem jako je napĕ.mince a odstraĕte kryt æ-rovky.

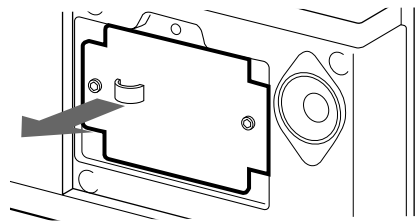


4 Vy roubujte dva rouby a vyjĕmĕte æ-rovku.

Bezprostĕdnĕ po vypnutĕ televizoru je æ-rovka stĕle velmi horkĕ. Dbejte na to, abyste se nedotĕkali pĕednĕho skla nebo okolĕ æ-rovky nebo skla v otvoru pro æ-rovku.



Vy roubujte dva rouby klĕĕem z pĕĕslu enstvĕl.



Vyt.hnĕte æ-rovku za drĕk.

5 Nasaĕte novou æ-rovku.

Pevnĕ ut.hnĕte oba rouby.

6 Nasaĕte kryt æ-rovky.

Pevnĕ ut.hnĕte rouby.

7 Nasaĕte pĕednĕ panel.

Dejte pozor, abyste nepo kodili reproduktory.

Pozn.mky

- Dbejte na to, abyste se nedotĕkali nebo abyste neposkvĕrnili pĕednĕ sklo novĕ æ-rovky nebo sklo v otvoru pro æ-rovku. Je-li sklo za pinĕnĕ, mĕæe se tĕm zhorĕtĕ kvalita obrazu nebo zkr.tit æivotnost æ-rovky.
- Pevnĕ ut.hnĕte kryt æ-rovky. Nenĕ-li pevnĕ dot.aæen, nelze spustit televizor.
- Pĕĕ spĕlenĕ æ-rovky jsou sly et zvuky. To v ak nenĕ znakem po kozenĕ televizoru.
- Potĕebujete-li novou æ-rovku, obraĕte se na nejbĕlĕ ě servisnĕ sluæbu Sony.

Poruchy a jejich odstranění

Zde je uvedeno několik jednoduchých řešení problémů, které mohou mít vliv na obraz a zvuk.

Z·vada	řešení
Æ·dní obraz (obrazovka je tmavá), æ·dní zvuk	<ul style="list-style-type: none"> • Zapojte televizor do z·suvky. • Stiskněte tlačítko ϕ na televizoru (svítí-li indikátor ϕ na televizoru, stiskněte O nebo tlačítko odpovídající číslu programu na dálkovém ovládacím). • Zkontrolujte zapojení antény. • Zkontrolujte, je-li zapojen zvolený zdroj videosignálu. • Vypněte televizor na tři až čtyři sekundy a potom ho znovu zapněte tlačítkem θ.
©patrný nebo æ·dní obraz (obrazovka je tmavá), ale zvuk je dobrý	<ul style="list-style-type: none"> • Stiskněte \bullet pro menu NASTAVENÍ OBRAZU a nastavte jas, kontrast a sytost barev.
Pří sledování videozdroje RGB je patrná kvalita obrazu	<ul style="list-style-type: none"> • Tiskněte opakovaně Z, a zvolte \rightarrow.
©patrná kvalita obrazu na obrazovce PAP	<ul style="list-style-type: none"> • Stiskněte \rightarrow.
Dobrý obraz, ale æ·dní zvuk	<ul style="list-style-type: none"> • Stiskněte Δ +. • Zkontrolujte zapojení reproduktorů. • Svítí-li na obrazovce symbol \circ, stiskněte tlačítko \circ.
Barevně vysílání není barevné	<ul style="list-style-type: none"> • Stiskněte tlačítko \bullet pro menu NASTAVENÍ OBRAZU, vyberte RESET a stiskněte OK.
Dálkové ovládací nefunguje	<ul style="list-style-type: none"> • Baterie jsou slabé.

Jestliže z·vada trvá i nadále, nechte přístroj opravit kvalifikovanými odborníky. Nikdy přístroj neotvírejte sami.

Technické údaje

Tento přístroj odpovídá směrnicí EU 89/336/EEC.

Televizní systém	B/G/H, D/K, I, L
Systém přenosu barev	PAL/SECAM
Přijímatelné kanály	NTSC 3.58/4.43 (VIDEO IN) viz Úpravitelné kanály a jejich indikace a na této straně dole
Velikost obrazu	37 palců (KL-37W1K) příbl. 94 cm 50 palců (KL-50W1K) příbl. 127 cm obraz v hloubce
Zdičky	
Zadní strana	<ul style="list-style-type: none"> - \rightarrow 1 21-kolíkov. zdička Euro (standard CENELEC) vstupy pro audio a video signály - vstupy RGB - vstupy signálů TV video a audio - \rightarrow 2/ \rightarrow 2 21-kolíkov. zdička Euro - vstupy pro audio a video signály - vstupy S video - vstupy pro audio a video signály (volitelné) - \rightarrow 4/ \rightarrow 4 21-kolíkov. zdička Euro - vstupy pro audio a video signály - vstupy S video - vstupy pro audio a video signály (monitorový vstup) - \rightarrow 2, \rightarrow 4 S video vstupy - 4-kolíkov. zdička DIN - \rightarrow audio vstupy (L, R) - zdičky Cinch - \rightarrow S video vstup - 4 kolíkov. DIN - \rightarrow audio vstupy - zdička Cinch - \rightarrow audio vstupy (variabilní) - zdičky Cinch
Vepředu	<ul style="list-style-type: none"> - \rightarrow 3 video vstupy - zdičky Cinch - \rightarrow audio vstupy - zdičky Cinch - \rightarrow 3 S video vstup - 4 kolíkov. DIN - λ Zdička pro sluchátka: stereofonní minizdička

Vstupní výkon zvuku	2 x 5 W (hudební výkon) Centrální 1 x 20 W
Průkon	170 W
Rozměry (š x v x h)	920 x 825 x 395 mm (KL-37W1K) 1.230 x 1.055 x 550 mm (KL-50W1K)
(včetně reproduktorů)	
Hmotnost	29 kg (KL-37W1K) 43 kg (KL-50W1K)
Dodávané příslušenství	viz strana 36.
Jiné znaky	Digitální hřebenový filtr (velkorozi ovač schopnost) PAP (obraz a obraz) FASTEXT 100 Hz Digital Plus Grafický equalizer

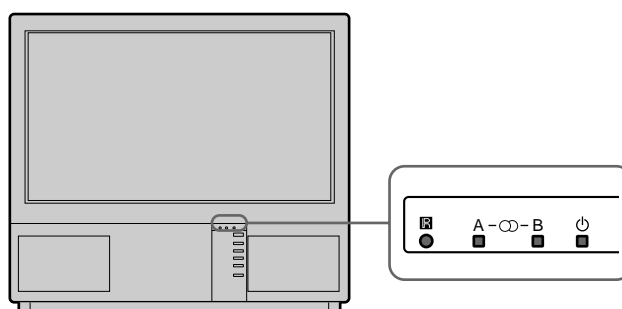
Vřobce si vyhrazuje prvo na zmínu vzhledu a parametrů bez předchzejícího upozornění.

Přijímatelné kanály a jejich indikace na obrazovce

	Přijímatelné kanály	Indikace na obrazovce
B/G/H	E2..12 21..69	C02 C03 C04..C12 C21..C69
Kabelov. TV (1)	S1..41	S01 S02..S41
Kabelov. TV (2)	S01..S05 M1..M10 U1..U10	S42..S46 S01..S10 S11..S20
ITLIE	A B C D E F G H H1 H2 21..69	C11..C69
D/K	R01..R12 R21..R69	C02..C12 C21..C69
Kabelov. TV (1)		S01 S02..S41
Kabelov. TV (2)		S42 S43..S46
Kabelov. TV	B..Q, S21..41	S02, S03..S17, S21..S41
L	F2..F10 F21..F69	C01..C12 C21..C69
I	B21..B68	C21..C68

Bezpečnostní kontrolky

Když se objeví z-vada, rozsvítí se kontrolka n-sledujícím způsobem.
Postupujte doporučeným způsobem řešení pro danou z-vadu.



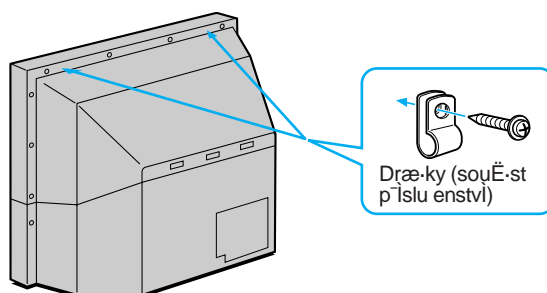
Příčina	Sled činnosti kontrolky
Lampa je sp-len- nebo z-vadn-.	Kontrolka B blikne dvakr-t, kontrolka A jednou. Tento sled se opakuje.
Kryt filtru nebo lampa nejsou spr-vní nasazeny.	Kontrolka B blikne třikr-t, kontrolka A jednou. Tento sled se opakuje.
Chladič ventil-tor nefunguje.	Kontrolka B blikne čtyřkr-t, kontrolka A jednou. Tento sled se opakuje.
Přístroj je přeh-tý.	Kontrolka B blikne pětkr-t, kontrolka A jednou. Tento sled se opakuje.

Jestliže kontrolky blikají způsobem, který není uveden v této tabulce, obraťte se na nejbližší servisní středisko Sony.

Umístění projekčního televizoru

Po ukončení nastavení upevněte projekční televizor z bezpečnostních důvodů ke stěně, například pomocí držáku, který jsou součástí příslušenství.

- 1 Držáky, které jsou součástí příslušenství, připevněte na horní zadní stěnu televizoru.



- 2 Skrz držáky (bod 1) protlačte šňůru nebo kabel a připevněte ji na stěnu nebo k opěrné polici apod.