

SONY

3-700-814-21(1)



Disposal of Old Electrical & Electronic Equipment (Applicable in the European Union and other European countries with separate collection systems)

This symbol on the product or on its packaging indicates that this product shall not be treated as household waste. Instead it shall be handed over to the applicable collection point for the recycling of electrical and electronic equipment.

CD Radio Cassette-Corder

Operating Instructions

GB

CFD-S03CP CFD-S03CPL

©2008 Sony Corporation http://www.sony.net/

WARNING

To reduce the risk of fire or electric shock, do not expose this apparatus to rain or moisture.

To avoid electrical shock, do not open the cabinet. Refer servicing to qualified personnel only.

To reduce the risk of fire, do not cover the ventilation of the apparatus with newspapers, tablecloths, curtains, etc.

To reduce the risk of fire or electric shock, do not place objects filled with liquids, such as vases, on the apparatus.

Connect the apparatus to an easily accessible AC outlet. Should you notice an abnormality in the apparatus, disconnect the main plug from the AC outlet immediately.

Do not install the appliance in a confined space, such as a bookcase or built-in cabinet.

Notice for customers in the United Kingdom

A moulded plug complying with BS 1363 is fitted to this equipment for your safety and convenience.

Should the fuse in the plug supplied need to be replaced, same rating fuse approved by ASTA or BSI to BS 1362, (i.e. marked with diamond or inverted triangle mark) must be used.

If the plug supplied with this equipment has a detachable fuse cover, be sure to attach the fuse cover after you change the fuse. Never use the plug without the fuse cover. If you should lose the fuse cover, please contact your nearest Sony service station.

Notes on DualDiscs

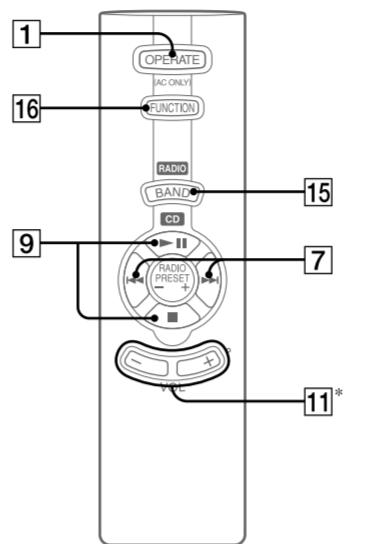
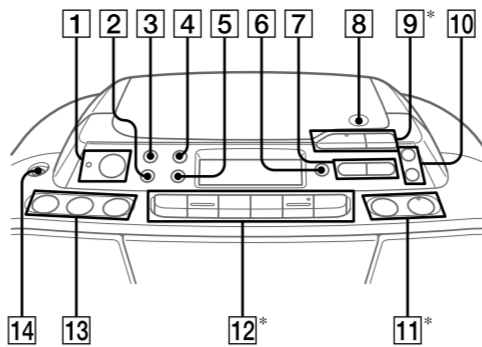
A DualDisc is a two sided disc product which mates DVD recorded material on one side with digital audio material on the other side.

Music discs encoded with copyright protection technologies

This product is designed to playback discs that conform to the Compact Disc (CD) standard. Recently, various music discs encoded with copyright protection technologies are marketed by some record companies.

MPEG Layer-3 audio coding technology and patents licensed from Fraunhofer IIS and Thomson.

Basic Operations



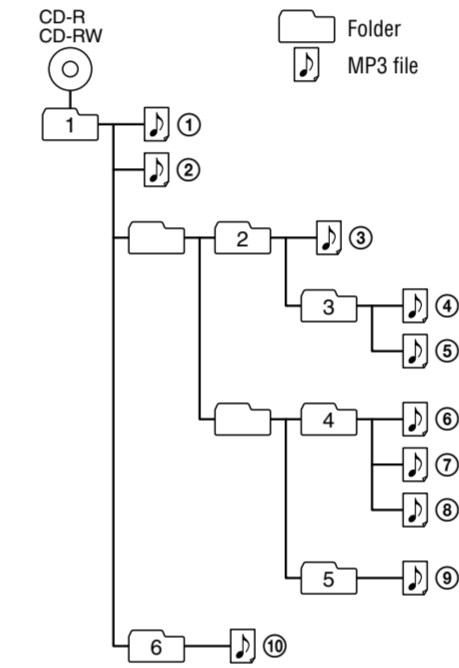
*VOLUME + (VOL + on the remote) [11], [9] and [12] on the unit have a tactile dot.

Table with 2 columns: To, Press. Includes instructions for pause, stop, next track, previous track, folder selection, and locating points.

Tips
• Playback starts from the track/MP3 file you last stopped playing (Resume play).
• To cancel the resume play (to start play from the beginning of the first track/MP3 file), press [9] in stop mode.

Example of folder structure and playing order

The playing order of the folders and files is as follows:



Notes on MP3 discs
• When the disc is inserted, the player reads all the files on that disc.
• A folder that does not include an MP3 file is skipped.
• Maximum number of files: 255
• Maximum number of folders: 150 (including the root folder)

Before using the unit

To turn on/off the power
European model: Press OPERATE [1].
Other models: Press POWER [1].

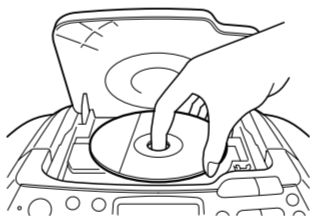
To adjust the volume
Press VOLUME +, - (VOL +, - on the remote) [11].

To listen through headphones
Connect the headphones to the (headphones) jack [14].

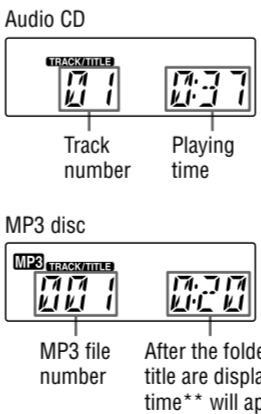
To reinforce the bass sound
Press MEGA BASS [2].
"MEGA BASS" appears in the display.
To return to normal sound, press the button again.

Playing a CD/MP3 disc

- 1 Press CD [13] on the unit (direct power-on).
2 Press PUSH OPEN/CLOSE [8] on the unit, and place a disc with the label side up on the CD compartment.



- 3 Press [9].
The player plays all the tracks/MP3 files once.
When you play a MP3 disc, MP3 indicator lights up after the player reads the file information.



* If there is no folder, "ROOT" appears in the display.
* If there is no song title in ID3 tag information "No Title" will be displayed.
** If the playing time is more than 100 minutes, it appears ":-:--" in the display.

Changing the AM/MW tuning interval
If you need to change the AM/MW tuning interval, do the following:

- 1 Press RADIO*BAND*AUTO PRESET [13] on the unit until "AM" or "MW" is displayed.
2 Press DISPLAY*ENTER [5] on the unit for 2 seconds.
3 Press RADIO*BAND*AUTO PRESET [13] on the unit for 2 seconds.
4 Press PRESET + or - [7] on the unit to select "9K STEP" for 9 kHz interval or "10K STEP" for 10 kHz interval.
5 Press DISPLAY*ENTER [5] on the unit.

Playing a tape

Use buttons on the unit for the operation.

- 1 Press TAPE [13] on the unit (direct power-on).
2 Press [12] on the unit, and insert the tape into the tape compartment with the side you want to play facing you.
Make sure there is no slack in the tape to avoid damaging the tape or the unit.



- 3 Press [12].
The player starts playing.

Table with 2 columns: To, Press. Includes instructions for pause, stop, fast-forward, and eject.

*When the tape is wound to the end, press [12] to release << or >> [12].

Recording on a tape

Use buttons on the unit for the operation.

- 1 Press [12] on the unit to open the tape compartment and insert a blank tape with the side you want to record on facing you.
2 Select the program source you want to record.
3 Press [12] on the unit to start recording.

Table with 2 columns: To, Press. Includes instructions for pause recording and stop recording.

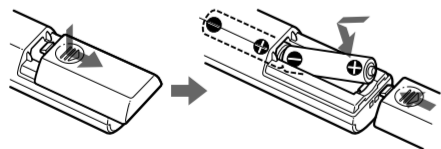
Tips
• Adjusting the volume or the audio emphasis will not affect the recording level.
• To erase a recording, proceed as follows:
1 Insert the tape whose recording you want to erase.
2 Press TAPE [13] on the unit.
3 Press [12] on the unit.

Connect the AC power cord [A] or insert six R14 (size C) batteries (not supplied) into the battery compartment [B].

- Notes
• Replace the batteries when the OPR/BATT indicator [1] dims or when the player stops operating.
• To use the player on batteries, disconnect the AC power cord from the player.
• When you operate the player on batteries, you cannot turn on the player using the remote.

Preparing the remote

Insert two R03 (size AAA) batteries (not supplied).



Replacing batteries

With normal use, the batteries should last for about six months. When the remote no longer operates the player, replace all the batteries with new ones.

Specifications

Specifications table including CD player section, Radio section, and Cassette-corder section.

Specifications table including Power consumption, Dimensions, and Optional accessories.

