

Microcassette - Corder

Operating Instructions
Manual de instrucciones
Manual de instruções (no verso)
Istruzioni per l'uso (sul retro)

M-673V/670V

©2004 Sony Corporation Printed in China



http://www.sony.net/

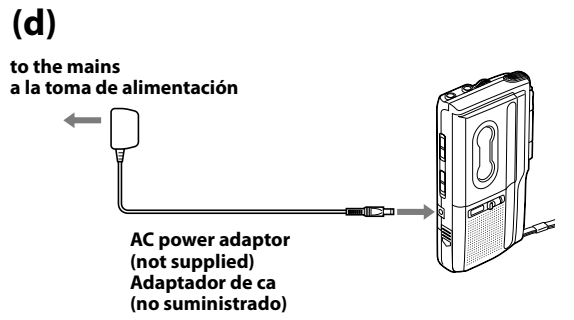
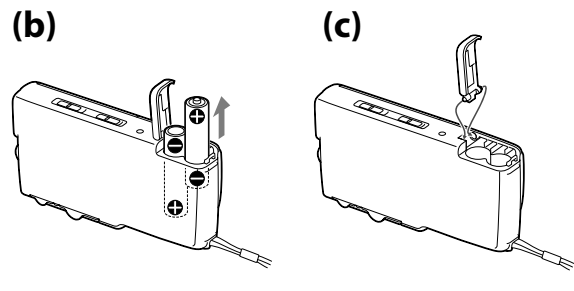
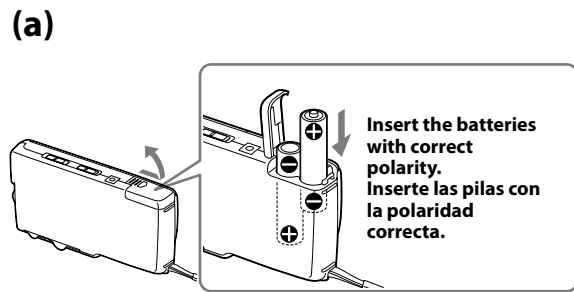
About This Manual

The instructions in this manual are for 2 models. There is no difference among M-673V and M-670V except for the supplied accessories. M-673V consists of M-670V Microcassette recorder and the accessories. For information about the supplied accessories, see "Specifications" of this manual.

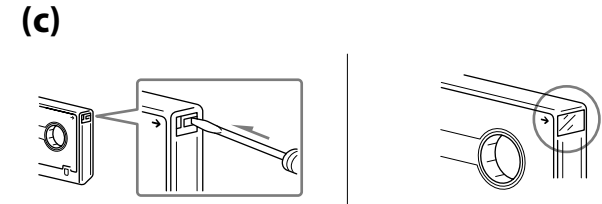
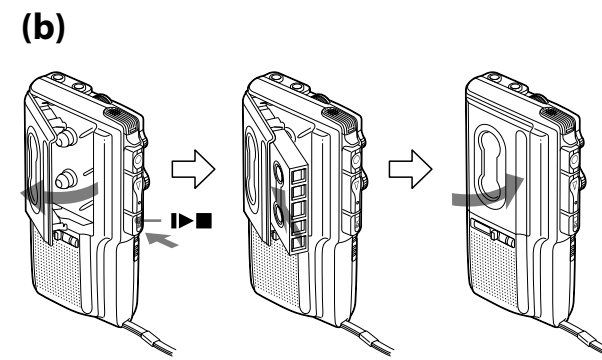
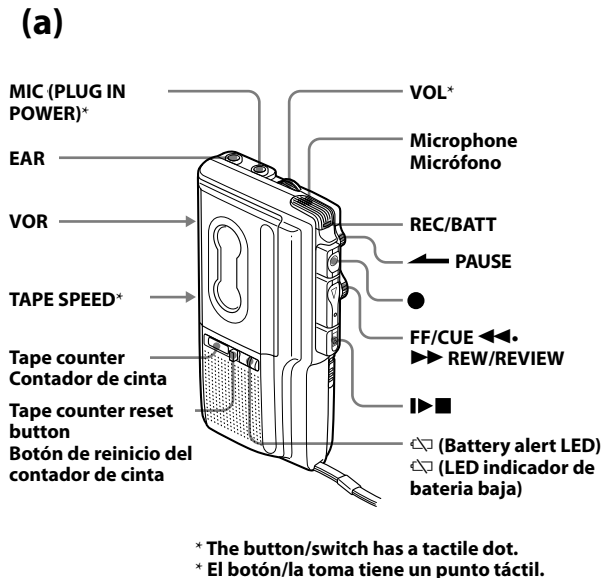
Acerca de este manual

Las instrucciones de este manual corresponden a los 2 modelos. No existen diferencias entre los modelos M-673V y M-670V a excepción de los accesorios suministrados. El modelo M-673V está formado por la grabadora de microcassetes M-670V y los accesorios. Si desea obtener información acerca de los accesorios suministrados, consulte el apartado "Especificaciones" de este manual.

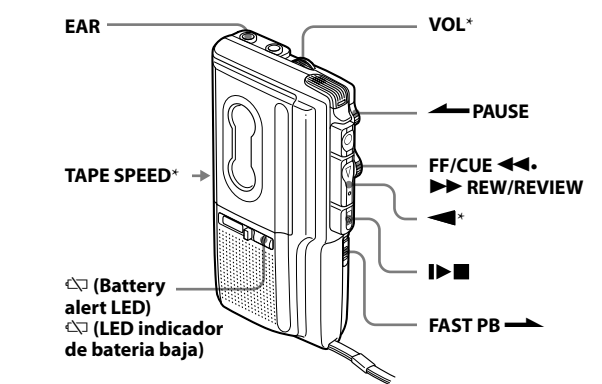
A



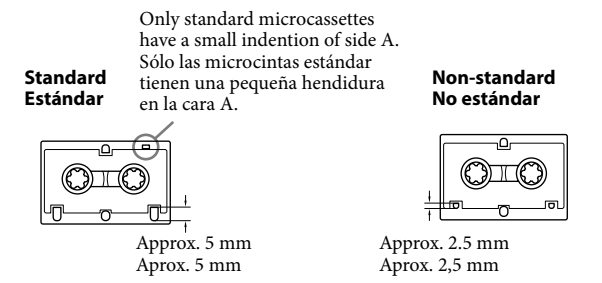
B



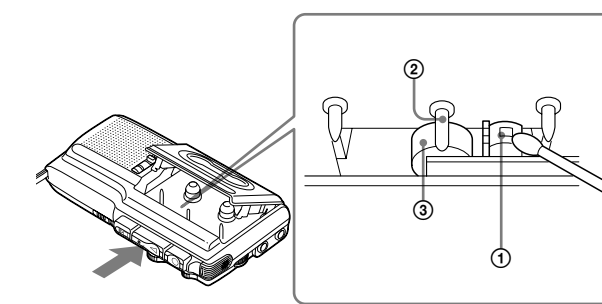
C



D



E



English

Preparing Power Sources

Choose one of the following power sources.

Dry Batteries (see Fig. A-(a))

- Make sure that nothing is connected to the DC IN 3V jack.
- 1 Open the battery compartment lid.
- 2 Insert two R03 (size AAA) batteries with correct polarity and close the lid.

To take out the batteries (see Fig. A-(b))

To attach the battery compartment lid if it is accidentally detached (see Fig. A-(c))

When to replace the batteries
Replace the batteries with new ones of the same kind when the REC/BATT lamp dims and the LED lamp flashes.

Notes

- The unit will play back normally for a while, even after the LED lamp flashes. However, replace the batteries as soon as you can. Otherwise, the built-in speaker may emit a loud noise and recordings may not be made correctly.
- In the following cases you do not need to replace the batteries:
 - If the LED lamp flashes with the playback sound when you turn up the volume.
 - If the LED lamp lights momentarily when the tape starts running or at the end of the tape.
 - If the LED lamp flashes during FF/REW or CUE/REVIEW.

Battery life* (Approx. hours)

Batteries	Recording	Playback**
Sony alkaline LR03 (SG)***	14.5	9
Sony manganese R03 (SB)	5	2.5

* Measured valued by the standard of JEITA (Japan Electronics and Information Technology Industries Association) (Using a Sony Microcassette)
** Using a tape on which music has been recorded is played at volume setting 7 using speaker.
***When using Sony LR03 (SG) alkaline dry batteries (produced in Japan)

Note

The battery life may be shorter depending on the operating condition, the surrounding temperature and battery type.

For maximum performance we recommend that you use alkaline batteries.

House current (see Fig. A-(d))
Connect the AC power adaptor to DC IN 3V and to the mains. Use a commercially-available AC power adaptor* (rated output voltage/current: 3 V/DC/700 mA). Do not use any other AC power adaptor.
* Depending on the AC power adaptor, noise may be heard while using the unit. Refer to the operating instructions of the AC power adaptor.

G

Notes

- The voltage of power supply is different depending on the country. Please buy an AC power adaptor for the country where the product is to be used.
- Do not touch the AC power adaptor with wet hands.
- Connect the AC power adaptor to the easily accessible mains. Should you notice an abnormality in the AC power adaptor, disconnect it from the mains immediately.

Recording (see Fig. B-(a))

- You can record right away with the built-in microphone. Make sure that nothing is connected to the MIC jack.
- 1 Press the reset button of the tape counter.
 - 2 Press ▶■ and insert a standard microcassette with the side to start recording facing the lid (see Fig. B-(b)).
 - 3 Select the desired tape speed.
 - 2.4 cm for optimum sound (recommended for normal use): A 30-minute recording can be made using both sides of the MC-30 microcassette (supplied for the United States and Europe only).
 - There is a tactile dot on this side.
 - 1.2 cm for longer recording time: A 60-minute recording can be made using both sides of the MC-30 microcassette (supplied for the United States and Europe only).

- 4 Set VOR to OFF. If you set VOR to ON, the unit automatically starts recording the sound and pauses when there is no sound (you can save tapes and batteries). When the sound is not loud enough, set it to OFF, or the unit may not start recording.

- 5 Press ●. ▶■ is pressed simultaneously and recording starts. While the tape runs, the REC/BATT lamp lights and flashes depending on the strength of the sound. Recording level is fixed.

At the end of the tape, recording stops and the unit turns off automatically (Automatic Shut-off mechanism).

To	Press or slide
Stop recording	▶■
Pause recording	Slide ◀ PAUSE in the direction of the arrow. To release pause recording, release ◀ PAUSE*.
Start recording during playback	● during playback (the unit enters the recording mode)
Review the portion just recorded	Push up FF/CUE ◀▶ REW/REVIEW toward ▶■ REW/REVIEW during the recording. Release the button at the point to start playback.
Take out a cassette	▶■

* ◀ PAUSE will also be automatically released when ▶■ is pressed (stop-pause-release function).

Note

- Select the 2.4 cm tape speed for recording. If you play back the recorded tape with another unit. Otherwise, the sound quality may be changed.
- Notes on VOR (Voice Operated Recording)**
- The VOR system is affected by the environmental recording conditions. When you use the system in a noisy place, the unit will stay in the recording mode. If the sound is too soft, on the contrary, the unit will not start recording. If you cannot get the results you want, set it to OFF.
 - The VOR system may not record the beginning of the sound you want to record because it starts recording only after it catches the sound. For an important recording, set it to OFF.

To monitor the sound
Connect an earphone (not supplied) firmly to the EAR jack. The monitor volume cannot be adjusted by VOL.

To prevent a cassette from being accidentally recorded over (see Fig. B-(c))
Break off and remove the cassette tabs. To reuse the cassette for recording, cover the tab hole with adhesive tape.

Recording from Various Sound Sources

- Notes**
- When you are going to record something that you may not have an opportunity to record again, test the unit first before you actually start recording.
 - When recording with an external microphone, the VOR system may not work properly because of the difference in sensitivity.

Recording with an External Microphone
Connect a microphone firmly to the MIC jack.

M-673V : use the supplied microphone.
M-670V : use a microphone of low impedance (less than 3 kΩ). When using a plug-in-power system microphone, the power to the microphone is supplied from this unit.

Recording from another equipment
Connect another equipment firmly to the MIC jack using the connecting cord (not supplied). Set this unit to the recording mode and another equipment to the playback mode.

Playing a Tape (see Fig. C)

- 1 Insert a cassette with the side to start playing facing the lid.
- 2 Select the tape speed to the same speed as that used for recording.
- 3 Press ◀.
- 4 Turn VOL to adjust the volume. There is a tactile dot beside VOL to show the direction to turn up the volume.

At the end of the tape, playback stops and the unit turns off automatically (Automatic shut-off mechanism). After the tape has been wound or rewound, be sure to press ▶■.

If you plug in headphones (not supplied) to the EAR jack, you will get monaural output from both left and right channels.

To	Press or slide
Stop playback/stop fast forward or rewind	▶■
Pause playback	Slide ◀ PAUSE in the direction of the arrow. REC/BATT lamp goes off. To release pause playback, release ◀ PAUSE*.
Fast forward** (FF)	Slide FF/CUE ◀▶ REW/REVIEW toward FF/ CUE ◀▶ during stop.
Rewind** (REW)	Slide FF/CUE ◀▶ REW/REVIEW toward FF/ REW/REVIEW during stop.
Search forward during playback (CUE)	Keep FF/CUE ◀▶ REW/REVIEW pushed toward FF/CUE ◀▶ during playback and release it at the point you want.
Search backward during playback (REVIEW)	Keep FF/CUE ◀▶ REW/REVIEW pushed toward ▶■ REW/REVIEW during playback and release it at the point you want.
Start recording during playback	●

* ◀ PAUSE will also be automatically released when ▶■ is pressed (stop-pause-release function).
** If you leave the unit after the tape has been wound or rewound, the batteries will be consumed rapidly. Be sure to press ▶■.

Note

If the tape is completely rewound while searching backward during playback (REVIEW), the FF/CUE ◀▶ REW/REVIEW switch may not return to the center position when you release the switch. In this case, push back the switch to the center to start playback.

To increase the playback speed
Slide the FAST PB ▶ switch in the direction of the arrow. The playback speed will be increased. To return to the original speed, slide the FAST PB ▶ switch to the original position.

Precautions

- On power**
- Operate the unit only on 3 V DC. For AC operation, use the AC power adaptor recommended for the unit. Do not use any other type. For battery operation, use two R03 (size AAA) batteries.

- On the unit**
- Use only the MICROCASSETTE™ (standard microcassettes) with this unit. Non-standard cassettes cannot be used because their "L" dimension (see Fig. D) is different.
 - Do not leave the unit in a location near heat sources, or in a place subject to direct sunlight, excessive dust or mechanical shock.
 - Should any solid object or liquid fall into the unit, remove the batteries or disconnect the AC power adaptor, and have the unit checked by qualified personnel before operating it any further.
 - Keep personal credit cards using magnetic coding or springwound watches, etc. away from the unit to prevent possible damage from the magnet used for the speaker.
 - When you do not use the unit for long, remove the batteries to avoid damage caused by battery leakage and subsequent corrosion.
 - If the unit has not been used for long, set it in the playback mode and warm it up for a few minutes before inserting a cassette.

If you have any questions or problems concerning your unit, please consult your nearest Sony dealer.

Troubleshooting

Should any problem persist after you have made these checks, consult your nearest Sony dealer.

- You cannot close the cassette compartment lid.**
- The cassette is being inserted in the wrong way.
 - ▶■ has been already pressed.
 - The cassette is not being inserted completely.

- The unit does not operate.**
- The batteries have been inserted with incorrect polarity.
 - The batteries are weak. Replace both batteries with new ones.
 - ◀ PAUSE is slid in the direction of the arrow.
 - The AC power adaptor is not firmly connected.
 - The unit will not run on dry batteries if the AC power adaptor is left plugged into the DC IN 3V jack even though you disconnect the AC power adaptor from the power source.

- Recording cannot be made.**
- There is no cassette in the cassette compartment.
 - The tab on the tape has been removed. To reuse the tape for recording, cover the tab hole with adhesive tape.
 - The batteries are weak. Replace both batteries with new ones.
- Recording is interrupted.**
- The VOR switch is set to ON. When you do not use VOR, set it to OFF.

- Recording cannot be erased completely.**
- The head is contaminated. See "Maintenance".

- Playback cannot be made.**
- The tape has reached the end. Rewind the tape.

- No sound comes from the speaker.**
- The earphone is plugged in. Unplug it.
 - The volume is turned down completely.

The sound drops out or comes with excessive noise.

- The volume is turned down completely.
- The batteries are weak. Replace both batteries with new ones.
- The head is contaminated. See "Maintenance".
- Direct placement of the cassette tape on the speaker resulted in magnetization and deteriorated total quality.
- Use the unit away from radiowave-emitting devices such as cellular phones.

Tape speed is too fast or too slow or the sound is distorted in the playback mode.

- Improper setting of the TAPE SPEED switch. Set it to the same speed as that used for recording.
- The FAST PB ▶ switch is slid in the direction of the arrow.
- The batteries are weak. Replace both batteries with new ones.

During CUE/REVIEW the tape stops or does not run. You cannot fast-forward or rewind.

- The batteries are weak. Replace both batteries with new ones.

Maintenance

To clean the tape head and path (see Fig. E)
Press ◀ and wipe the head ①, capstan ② and the pinch roller ③ with a cotton swab, moistened with alcohol every 10 hours of use.

To clean the exterior
Use a soft cloth slightly moistened in water. Do not use alcohol, benzine or thinner.

Specifications

Para	Pulse o deslice
Detener la grabación	▶■
Detener la grabación grabación	Deslice ◀ PAUSE en la dirección de la flecha. Para quitar la pausa en la grabación, suelte ▶■ PAUSE*.
Iniciar la grabación durante la reproducción	● durante la reproducción (la unidad activa el modo de grabación)
Revisar una parte de cinta recién grabada	Empuje FF/CUE ◀▶ REW/REVIEW hacia ▶■ REW/REVIEW durante la grabación. Suelte el botón para iniciar la reproducción.
Extraer una microcinta	▶■

* ◀ PAUSE también se quitará automáticamente al pulsar ▶■ (función de liberación de pausas con parada).

Spanish

Fuentes de alimentación

Elija una de las siguientes fuentes de alimentación.

Pilas secas (consulte la figura A-(a))

- Compruebe que no se ha realizado ninguna conexión a la toma DC IN 3V.
- 1 Abra la tapa del compartimento de las pilas.
- 2 Inserte dos pilas R03 (tamaño AAA) con la polaridad correcta y cierre la tapa.

Para extraer las pilas (consulte la figura A-(b))

Para ajustar la tapa del compartimiento de las pilas si ésta se desprende accidentalmente (consulte la figura A-(c))

Cuándo reemplazar las pilas
Sustituya las pilas por otras nuevas del mismo tipo si el indicador REC/BATT se atenúa y el indicador LED parpadea.

Notas

- La unidad reproducirá normalmente durante un momento aunque parpadee el indicador LED. Sin embargo, reemplace las pilas lo antes posible. En caso contrario, es posible que el altavoz incorporado emita un ruido intenso y que las grabaciones no se realicen correctamente.
- En los casos siguientes, no necesitará reemplazar las pilas:
 - Si el indicador LED parpadea con el sonido de reproducción cuando aumenta el volumen.
 - Si el indicador LED se enciende momentáneamente cuando la cinta empieza a funcionar o cuando finaliza.
 - Si el indicador LED parpadea durante FF/REW o CUE/REVIEW.

Duración de la pila* (número aproximado de horas)

Pilas	Grabación	Reproducción**
Pila alcalina LR03 (SG)*** de Sony	14.5	9
Pilas de manganeso R03 (SB) de Sony	5	2.5

* Valor determinado por la norma de la JEITA (Japan Electronics and Information Technology Industries Association) (Utilizando un microcassette Sony)
** Cuando se utiliza el ajuste de volumen 7 y un altavoz para reproducir una cinta que contiene música grabada.
*** Cuando se utilizan pilas secas alcalinas LR03 (SG) de Sony (fabricadas en Japón).

Note

La duración de la pila puede acortarse dependiendo de las condiciones de funcionamiento, la temperatura ambiental y el tipo de pila.

Para obtener el máximo rendimiento posible, se recomienda emplear pilas alcalinas.

Alimentación doméstica (consulte la figura A-(d))

Conecte el adaptador de alimentación ca a DC IN 3V y a la toma de red. Utilice un adaptador de alimentación de ca* disponible en el mercado (salida normal de corriente/voltaje: 3 V/CC/700 mA). No utilice ningún otro tipo de adaptador ca.
* En función del adaptador de alimentación de ca, es posible que se escuchen ruidos cuando utilice la unidad. Consulte el manual de instrucciones del adaptador de alimentación de ca.

Grabación (consulte la figura B-(a))

- Es posible grabar inmediatamente con el micrófono incorporado. Cerciórese de que no haya nada conectado a MIC.
- 1 Pulse el botón de restauración del contador de la cinta.
 - 2 Pulse ▶■ e inserte una microcinta estándar con la cara que desea grabar mirando hacia la tapa (consulte la figura B-(b)).
 - 3 Seleccione la velocidad de cinta que desea.
 - 2.4 cm para obtener un sonido óptimo (recomendado para uso normal); es posible realizar una grabación de 30 minutos utilizando las dos caras de una microcinta MC-30 (suministrado solamente para EE.UU. y Europa). Hay un punto táctil en esta cara.
 - 1.2 cm para mayor tiempo de grabación; es posible realizar una grabación de 60 minutos utilizando las dos caras de una microcinta MC-30 (suministrado solamente para EE.UU. y Europa).
 - 4 Sitúe VOR en la posición OFF. Si sitúa VOR en la posición ON, la unidad inicia automáticamente la grabación del sonido y activa el modo de pausa si no hay sonido (de este modo, se ahorra cinta y pilas). Cuando el sonido no es suficientemente alto, seleccione la posición OFF o es posible que la unidad no empiece a grabar.
 - 5 Pulse ●. ▶■ se pulsa simultáneamente y se inicia la grabación. Durante la reproducción de la cinta, el indicador REC/BATT se enciende y parpadea en función de la intensidad del sonido. El nivel de grabación es fijo.

Al final de la cinta, la grabación se detiene y la unidad se desconecta automáticamente (mecanismo de desconexión automática).

Para	Pulse o deslice
Detener la grabación	▶■
Detener la grabación grabación	Deslice ◀ PAUSE en la dirección de la flecha. Para quitar la pausa en la grabación, suelte ▶■ PAUSE*.
Iniciar la grabación durante la reproducción	● durante la reproducción (la unidad activa el modo de grabación)
Revisar una parte de cinta recién grabada	Empuje FF/CUE ◀▶ REW/REVIEW hacia ▶■ REW/REVIEW durante la grabación. Suelte el botón para iniciar la reproducción.
Extraer una microcinta	▶■

* ◀ PAUSE también se quitará automáticamente al pulsar ▶■ (función de liberación de pausas con parada).

Note

Seleccione la velocidad de grabación de cinta de 2.4 cm si reproduce la cinta grabada en otra unidad. De otro modo, la calidad del sonido puede modificarse.

Notas acerca de la VOR (Voice Operated Recording, Grabación activada mediante la voz)

- Las condiciones ambientales de la grabación afectan al sistema VOR. Si utiliza este sistema en un lugar ruidoso, el sistema VOR permanecerá en el modo de grabación. Por el contrario, si el sonido es demasiado débil la unidad no empezará a grabar. Si no obtiene los resultados deseados, ajústelo en OFF.
- Es posible que el sistema VOR no grave el principio del sonido que desea grabar, ya que no empieza a grabar hasta que no capta dicho sonido. Si se trata de una grabación importante, ajústelo en OFF.

Para controlar el sonido
Conecte firmemente los auriculares o los cascos (no suministrados) a la toma EAR. No es posible ajustar el volumen de control con VOL.

Para impedir que una cinta se grabe accidentalmente (consulte la figura B-(c))
Rompa y retire las lengüetas de la cinta. Para volver a utilizar la cinta para grabar, cubra el orificio de la lengüeta con cinta adhesiva.

Grabación de distintas fuentes de sonido

Notas

- Cuando vaya a grabar algo que no tendrá oportunidad de grabar otra vez, realice una prueba antes de iniciar la grabación.
- Cuando grabe con un micrófono externo, el sistema VOR puede no trabajar adecuadamente debido a la diferencia de sensibilidad.

Grabación con un micrófono externo
Conecte firmemente un micrófono a la toma MIC.

M-673V : utilice el micrófono suministrado.
M-670V : utilice un micrófono de baja impedancia (menos de 3 kΩ). Cuando utilice un micrófono con alimentación a través de la clavija, la alimentación del mismo la suministrará la unidad.

Grabación desde otro equipo
Conecte firmemente otro equipo a la toma MIC con el cable de conexión (no suministrado). Active el modo de grabación de esta unidad y el de reproducción en el otro equipo.

Reproducción de cintas (consulte la figura C)

- 1 Inserte una cinta con la cara que va a reproducir mirando a la tapa.
- 2 Inserte una cinta con la cara que va a reproducir mirando a la tapa.
- 3 Pulse ◀.
- 4 Gire VOL para ajustar el volumen. En la unidad principal existe un punto táctil junto a VOL que muestra la dirección para subir el volumen.

Al final de la cinta, la reproducción se detiene y la unidad se desactiva automáticamente (mecanismo de desconexión automática). Tras bobinar o rebobinar la cinta, asegúrese de pulsar ▶■.

Si conecta auriculares (no suministrados) a la toma EAR, los canales izquierdo y derecho emitirán sonido monofónico.

Para	Pulse o deslice
Detener la reproducción/detener el avance o rebobinado rápido de cinta	▶■
Detener el avance o rebobinado rápido de cinta reproducción	Deslice ◀ PAUSE en la dirección de la flecha. El indicador REC/BATT se apaga. Para quitar la pausa en la reproducción, suelte ▶■ PAUSE*.
Avanzar rápido** (FF)	Deslice FF/CUE ◀▶ REW/REVIEW hacia FF/ CUE ◀▶ durante la detención.
Rebobinar** (REW)	Deslice FF/CUE ◀▶ REW/REVIEW hacia ▶■ REW/REVIEW durante la detención.
Buscar hacia delante durante la reproducción	Mantenga FF/CUE ◀▶ REW/REVIEW pulsado hacia FF/CUE ◀▶ durante la reproducción y súeltelo en el punto que desee.
Buscar hacia atrás durante reproducción (REVIEW)	Mantenga FF/CUE ◀▶ REW/REVIEW pulsado durante reproducción y deje de pulsarlo en el punto que desee.
Iniciar la grabación durante la reproducción	●

* ◀ PAUSE también se liberará automáticamente si se pulsa ▶■ (función de liberación de pausa con parada).

** Si deja la unidad encendida después de bobinar o rebobinar la cinta, las pilas se consumirán con rapidez. Asegúrese de desactivar el botón ▶■.

Note

Si la cinta se ha bobinado por completo mientras se realiza la búsqueda hacia atrás durante la reproducción (REVIEW), es posible que el interruptor FAST PB ▶ esté deslizado en la posición central al soltarlo. En este caso, desplace el interruptor a la posición central para iniciar la reproducción.

Para aumentar la velocidad de reproducción
Deslice el interruptor FAST PB ▶ en la dirección de la flecha. La velocidad de reproducción aumentará. Para volver a la velocidad original, deslice el interruptor FAST PB ▶ hasta la posición original.

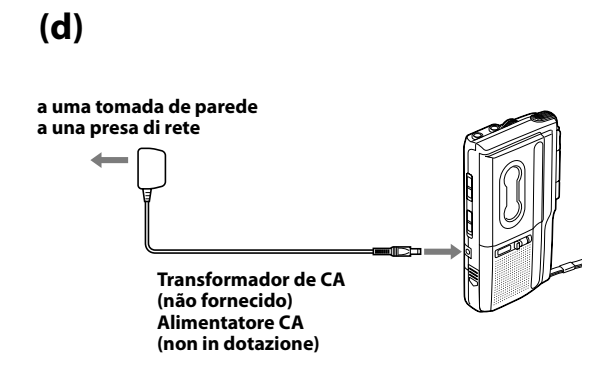
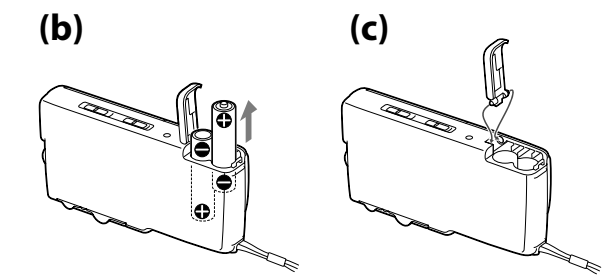
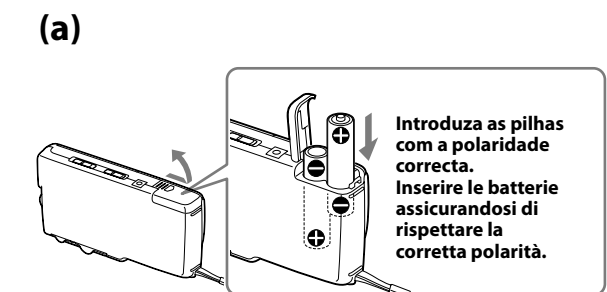
Sobre este manual

As instruções deste manual referem-se a 2 modelos. Não existem diferenças entre os modelos M-673V e M-670V exceto no que se refere aos acessórios fornecidos. O modelo M-673V é constituído pelo gravador de microcassetes M-670V e os acessórios respectivos. Para obter mais informações sobre os acessórios fornecidos, consulte "Especificações" deste manual.

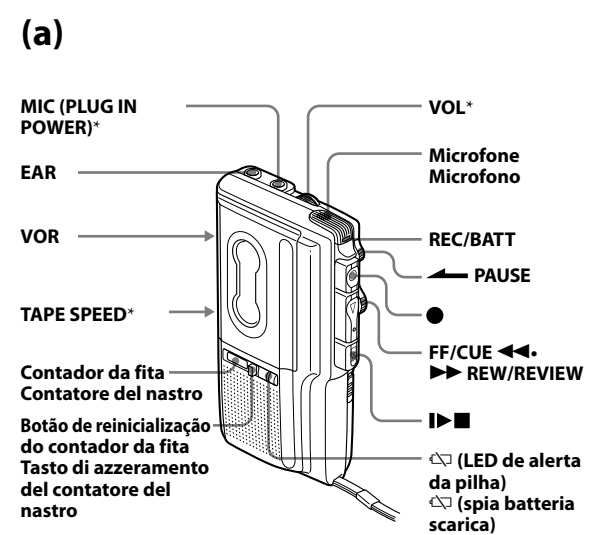
Informazioni sul presente manuale

Le istruzioni contenute nel presente manuale si riferiscono a 2 modelli. Non vi è alcuna differenza tra i modelli M-673V e M-670V ad eccezione degli accessori in dotazione. Il modello M-673V è costituito dal registratore a microcassette M-670V e dai relativi accessori. Per ulteriori informazioni sugli accessori in dotazione, vedere la sezione "Caratteristiche tecniche" del presente manuale.

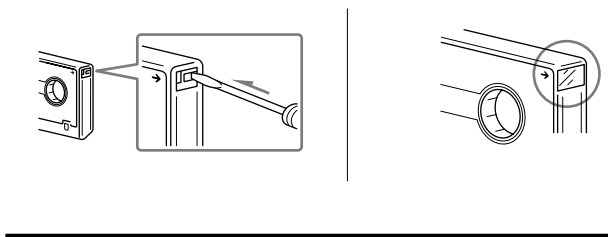
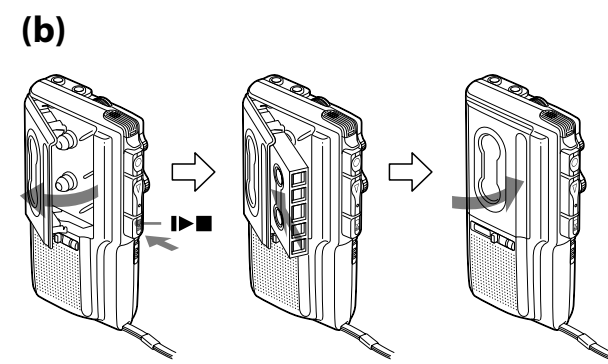
A



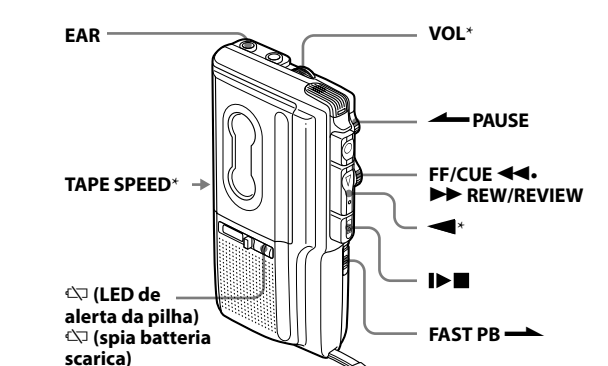
B



* O botão/tomada tem um ponto em relevo.
 * Il tasto/la presa sono dotati di un punto tattile.

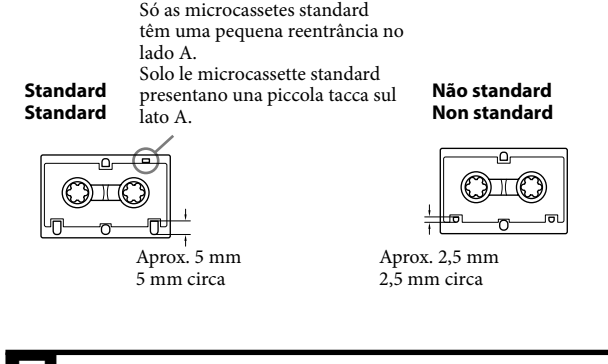


C

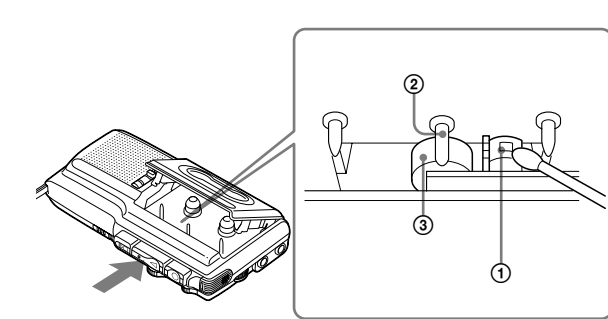


* O botão tem um ponto em relevo.
 * Il tasto è dotato di un punto tattile.

D



E



Português

Preparar as fontes de alimentação

Escolha uma das fontes de alimentação seguintes.

Pilhas secas (ver a Fig. A-(a))

Certifique-se de que não está nada ligado à ficha DC IN 3V.

- Abra a tampa do compartimento das pilhas.
- Introduza duas pilhas R03 (tamanho AAA), com a polaridade correcta e feche a tampa.

Para retirar as baterias (ver a Fig. A-(b))

Para voltar a colocar a tampa do compartimento das pilhas se esta se desprender acidentalmente (ver a Fig. A-(c))

Quando deve substituir as pilhas

Substitua as pilhas usadas por pilhas novas do mesmo tipo, quando a luz do indicador REC/BATT começar a ficar esbaldada e o indicador luminoso CO começar a piscar.

- Notas**
- Mesmo depois do indicador luminoso CO começar a piscar, o aparelho continuará a efectuar a reprodução normal durante algum tempo. No entanto, substitua as pilhas o quanto antes. Se não o fizer, o altifalante incorporado pode emitir um ruído estridente e pode não conseguir gravar correctamente.
- Nos casos a seguir, não é necessário substituir as pilhas:
 - se o indicador luminoso CO piscar com o som da reprodução quando aumenta o volume.
 - caso o indicador CO se acenda momentaneamente quando a fita inicia o movimento ou ao final da fita.
 - caso o indicador CO pisque durante o funcionamento de FF/REW ou CUE/REVIEW.

Duração das pilhas* (Horas aproximadas)

Pilhas	Gravação	Gravação**
Pilhas alcalinas da Sony LR03 (SG)***	14,5	9
Pilhas de manganês da Sony R03 (SB)	5	2,5

* Valor medido segundo a norma da JEITA (Japan Electronics and Information Technology Industries Association) (utilizando uma microcassete da Sony)

** Uma casete com música gravada e reproduzida com a regulação de volume 7, utilizando o altifalante.

*** Quando estiver a utilizar pilhas secas alcalinas LR03 (SG) da Sony (produzidas no Japão)

Nota

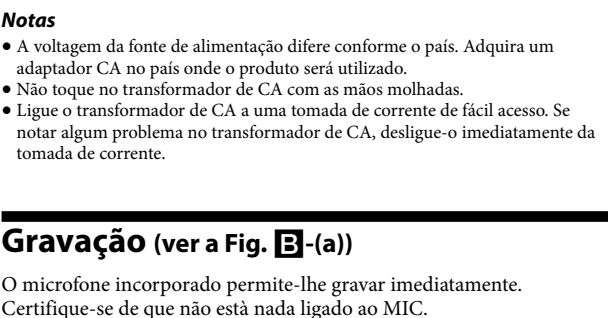
A vida útil das pilhas pode ser maior ou menor, consoante as condições de funcionamento, a temperatura ambiente e o tipo de pilhas.

Deve utilizar pilhas alcalinas para otimizar o desempenho do aparelho.

Corrente doméstica (ver a Fig. A-(d))

Ligue o transformador de CA a DC IN 3V e a uma tomada de parede. Utilize um adaptador de corrente CA* disponível no mercado (corrente/tensão de saída nominal 3 V CC/700 mA). Não utilize nenhum outro transformador de CA.

* Dependendo do adaptador de corrente CA, pode ouvir algum ruído enquanto utiliza a unidade. Consulte o manual de instruções do adaptador de corrente CA.



- Carregue no botão de reinicialização do contador da casete.
- Carregue em ►► e introduza uma microcassete standard com o lado onde vai iniciar a gravação voltado para a tampa (ver a Fig. B-(b)).
- Seleccione a velocidade de fita desejada.

2,4 cm para obter um som óptimo (recomendado na utilização normal); se utilizar ambos os lados da microcassete MC-30 pode fazer uma gravação de 30 minutos (fornecido apenas com os modelos dos Estados Unidos e Europa). *Há um ponto em relevo neste lado.*

1,2 cm para obter um tempo de gravação mais longo: se utilizar ambos os lados da microcassete MC-30 (fornecido apenas com os modelos dos Estados Unidos e Europa) pode fazer uma gravação de 60 minutos.

- Regule o VOR para OFF. Se regular o VOR para ON, o aparelho inicia automaticamente a gravação do som e faz uma pausa quando o som deixa de se ouvir (poupa assim a fita e as pilhas). Se o som não for suficientemente audível, regule VOR para OFF, caso contrário o aparelho poderá não dar início à gravação.
- Carregue na tecla ●
 ►► é activado simultaneamente e a gravação inicia-se. Enquanto a casete está a andar, o indicador REC/BATT acende-se e pisca em função da potência do som.
 O nível de gravação fica fixo.

Para	Carregue ou faça deslizar
Parar a gravação	►►
Fazer uma pausa na gravação	►► PAUSE na direcção da seta. Para retomar a gravação após uma pausa, liberte ► PAUSE*.
Iniciar a gravação durante a reprodução	● durante a reprodução (a unidade entra em modo de gravação)
Rever a parte que acabou	Empurre FF/CUE ◄◄►► REW/REVIEW para cima, em direcção ►► REW/REVIEW, durante a gravação. Solte o botão no ponto de início da reprodução.
Retirar uma casete	►►

* Ao carregar em ►► desactiva também automaticamente a tecla ► PAUSE (função de libertação stop-pause).

Nota

Seleccione a velocidade de fita de 2,4cm para gravar, se estiver a reproduzir a casete noutro aparelho. Caso contrário, pode alterar a qualidade do som.

Notas sobre o sistema VOR (Gravação activada por voz)

- O sistema VOR é afectado pelas condições do ambiente de gravação.
- Quando utilizar o sistema num local ruidoso, o aparelho mantém-se no modo de gravação. Se, pelo contrário, o som for demasiado baixo o aparelho não começa a gravar.
- Se não conseguir obter os resultados desejados, regule-o para OFF.
- O sistema VOR só começa a gravar depois de captar o som e por isso pode não gravar o som desejado logo a partir do começo. Quando se tratar de uma gravação importante, regule-o para OFF.

Como controlar o som

Ligue bem os auriculares ou auscultadores (não fornecidos) à tomada EAR. Regule o controlo do volume com VOL.

Como evitar gravar acidentalmente sobre uma fita já gravada (ver a Fig. B-(c))

Quebre e retire as patilhas da casete. Para voltar a utilizar a casete para gravar, tape o orifício da patilha com fita adesiva.

Gravar a partir de várias fontes de som

Notas

- Quando quiser fazer gravações, faça um teste primeiro.
- Quando se faz uma gravação com um microfone externo, o sistema VOR pode não funcionar correctamente devido à diferença de sensibilidade.

Gravar com um microfone externo

Ligue um microfone à ficha MIC. M-673V: utilize o microfone fornecido.

M-670V: utilize um microfone de baixa impedância (menos de 3 kΩ). Quando se utiliza um microfone com ficha, a corrente para esse microfone é fornecida pelo aparelho.

Gravar a partir de outro equipamento

Ligue correctamente outro equipamento à ficha MIC utilizando o cabo de ligação (não fornecido). Regule este aparelho para o modo de gravação e o outro equipamento para o modo de reprodução.

Reproduzir uma casete (ver a Fig. C)

- Introduza uma casete com o lado que quer reproduzir em primeiro lugar voltado para a tampa.
- Seleccione a mesma velocidade que utilizou na gravação.
- Carregue em ►►.
- Rode VOL para regular o volume. *Existe um ponto em relevo ao lado do botão VOL para indicar a direcção de aumento do volume.*

Quando chegar ao fim da casete, o aparelho pára de reproduzir e desliga-se automaticamente (mecanismo de desactivação automática). Depois do avanço rápido ou da rebobinagem da fita, carregue em ►►.

Se ligar auscultadores (não fornecidos) à ficha EAR, obterá um som mono nos canais esquerdo e direito.

Para	Carregue ou faça deslizar
Parar a reprodução/ parar o avanço rápido ou rebobinar	►►
Fazer uma pausa na reprodução	►► PAUSE na direcção da seta. Apaga-se o indicador luminoso REC/BATT. Para retomar a reprodução, liberte a tecla ► PAUSE*.
Avanço rápido** (FF)	FF/CUE ◄◄►► REW/REVIEW na direcção do FF/CUE ◄◄ durante a paragem.
Rebobinar** (REW)	FF/CUE ◄◄►► REW/REVIEW na direcção do ►► REW/REVIEW durante a paragem.
Pesquisar para a frente durante a reprodução (CUE)	Empurre sem soltar FF/CUE ◄◄►► REW/REVIEW na direcção de FF/CUE ◄◄ durante a reprodução e solte no ponto desejado.
Pesquisar para trás durante a reprodução (REVIEW)	Empurre sem soltar FF/CUE ◄◄►► REW/REVIEW durante a reprodução e solte no ponto desejado.
Mudar o lado da reprodução	●

* Ao carregar em ►► desactiva também automaticamente a tecla ►► PAUSE (função de libertação stop-pause).

** Se deixar o sistema ligado depois da casete ter sido rebobinada, as pilhas gastam-se rapidamente. Não se esqueça de carregar na tecla ►►.

Nota

Se rebobinar completamente a fita, ao mesmo tempo que procura para trás durante a reprodução (REVIEW), o selector FF/CUE ◄◄►► REW/REVIEW pode não voltar à posição central quando o libertar. Neste caso, empurre o selector para o centro para começar a reproduzir.

Como aumentar a velocidade de reprodução

Faça deslizar o interruptor FAST PB ►► na direcção da seta. A velocidade de reprodução aumenta. Para regressar à velocidade normal, faça deslizar o mesmo interruptor FAST PB ►► para a posição original.

Precauções

ligação

- A unidade só deve funcionar com CC de 3 V.
- Para o aparelho funcionar com CA, utilize o transformador de CA recomendado para a mesma e não outro de um tipo diferente. Para a unidade funcionar com pilhas, utilize 2 pilhas R03 (tamanho AAA).

Sobre o aparelho

- Utilize apenas as microcassetes **GRACASSETTE™** (microcassetes normalizadas). Não pode utilizar cassetes não-normalizadas porque as suas dimensões "L" (consulte a Fig. B) são diferentes.
- Não deixe o aparelho perto de fontes de calor ou em locais expostos à luz solar directa, com pó excessivo ou sujeitos a choques mecânicos.
- Se deixar cair objectos ou líquidos dentro do gravador, retire as pilhas ou desligue o transformador de CA e mande verificar o gravador por pessoal qualificado antes de voltar a utilizá-lo.
- Uma vez que o altifalante está equipado com um íman forte, mantenha os cartões de crédito com banda magnética e os relógios de corda longe do aparelho para evitar eventuais danos.
- Se não utilizar o aparelho durante longos períodos, retire as pilhas para evitar eventuais danos provocados pelo derramamento do líquido das pilhas e pela corrosão.
- Se o aparelho tiver estado inactivo por um período de tempo longo, antes de introduzir uma casete, regule-o para modo de reprodução e deixe-o arrefecer durante alguns minutos.

Se tiver dúvidas ou problemas em relação ao aparelho, entre em contacto com o agente da Sony mais próximo.

Resolução de problemas

Se, depois de proceder às verificações a seguir, algum problema persistir, entre em contacto com o agente da Sony mais próximo.

Não consegue fechar a tampa do compartimento das pilhas.

- Introduza a casete ao contrário.
- já carregou em ►►.
- Não introduziu completamente a casete.

O gravador não funciona.

- Introduziu as pilhas sem respeitar as polaridades.
- As pilhas estão fracas. Substitua ambas as pilhas por pilhas novas.
- Fez deslizar ►► PAUSE na direcção indicada pela seta.
- O transformador de CA não está bem ligado.
- O aparelho não funciona com pilhas secas se desligar o transformador de CA da fonte de alimentação mas o deixar ligado à tomada DC IN 3V.

Não consegue gravar.

- Não está nenhuma casete dentro do compartimento.
- A patilha da casete foi retirada. Para voltar a utilizar a casete para gravação, tape o orifício da patilha com fita adesiva.
- As pilhas estão fracas. Substitua ambas as pilhas por pilhas novas.

A gravação pára.

- O interruptor VOR está regulado para ON. Se não estiver a utilizá-lo, regule-o para OFF.

Não consegue apagar completamente a gravação.

→ As cabeças estão sujas. Consulte a secção "Manutenção".

Não consegue efectuar a reprodução.

→ A casete chegou ao fim. Rebobine a casete.

Não se ouve o som das colunas.

- Os auriculares estão ligados. Desligue-os.
- O volume está regulado para o mínimo.

O som tem quebras ou tem demasiado ruído.

- O volume está regulado para o mínimo.
- As pilhas estão fracas. Substitua ambas as pilhas por pilhas novas.
- As cabeças estão sujas. Consulte a secção "Manutenção".

→ A colocação directa da casete em cima da coluna provocou uma magnetização da casete e deteriorou a qualidade da tonalidade do som.

→ Utilize o aparelho longe de dispositivos que emitam ondas de rádio, como telefones móveis.

A velocidade da fita é demasiado rápida ou lenta, ou o som sai distorcido, no modo de reprodução.

- O interruptor TAPE SPEED está mal regulado. Regule-o para a velocidade utilizada para a gravação.
- O interruptor FAST PB ►► foi colocado na direcção indicada pela seta.
- As pilhas estão fracas. Substitua ambas as pilhas por pilhas novas.

Durante a operação de CUE/REVIEW a casete pára e não anda.

Não consegue fazer a rebobinagem ou o avanço rápido.

→ As pilhas estão fracas. Substitua ambas as pilhas por pilhas novas.

Manutenção

Limpeza das cabeças e do percurso da fita (ver a Fig. B)

Carregue na tecla ►►, utilizando um algodão humedecido em álcool, limpe a cabeça (O), o cabrestante (Q) e a roda dentada (R), após cada 10 horas de utilização.

Limpeza do exterior

Utilize um pano macio ligeiramente humedecido em água. Não utilize álcool, gasolina nem diluente.

Especificações

Casete	GRACASSETTE™ (tipo posição normal)
Sistema de gravação	2 pistas 1 canal mono
Altifalante	Aprox. 2,8 cm de diâmetro
Velocidade da fita	2,4 cm/s, 1,2 cm/s
Gama de frequências	300 Hz - 4 000 Hz (com o interruptor TAPE SPEED na posição 2,4 cm/s)
Entrada	Ficha de entrada de microfone (mini-jack/mono/PLUG IN POWER) com sensibilidade de 0,2 mV para 3 kΩ ou microfone de impedância inferior.
Saída	Ficha de auriculares (mini-jack/mono) para auriculares de 8 Ω - 300 Ω
Saída de corrente (10% de distorção harmónica)	450 mW
Requisitos de energia	Pilhas R03 (tamanho AAA) de CC de 3 V × 2/Fontes de alimentação externas de CC de 3 V
Dimensões (l/a/p) (incluindo controlos e peças salientes)	Aprox. 54,8 × 106,8 × 21,5 mm
Peso (só na unidade principal)	Aprox. 92 g
Acessórios fornecidos	Microcassete MC-30 (1) (só para a Europa e E.U.A.) Pilhas alcalinas LR03 (SG) (2) (só no M-673V, M-670V para os E.U.A.) Microfone (1) (só no M-673V) Bolsa de transporte (1) (só no M-673V)

A concepção e as especificações estão sujeitas a alteração sem aviso prévio.

Italiano

Preparazione delle sorgenti di alimentazione

Scegliere una delle seguenti fonti di alimentazione di alimentazione.

Batterie a secco (vedere fig. A-(a))

Verificare che la presa DC IN 3V sia libera.

- Aprire il coperchio dello scomparto delle batterie.
- Inserire due batterie R03 (formato AAA) con la polarità corretta e richiudere il coperchio dello scomparto.

Per estrarre le batterie (vedere fig. A-(b))

Per reinserire il coperchio dello scomparto batterie, qualora sia staccato accidentalmente (vedere Fig. A-(c))

Quando sostituire le batterie

Sostituire le batterie vecchie con batterie nuove dello stesso tipo quando l'indicatore REC/BATT diminuisce di intensità e la spia CO lampeggia.

Nota

- Sebbene l'apparecchio effettui la riproduzione normalmente per alcuni istanti anche in seguito al lampeggiamento dell'indicatore CO, sostituire le batterie quanto prima. Diversamente, è possibile che il diffusore incorporato produca un disturbo intenso e che le registrazioni non vengano effettuate correttamente.
- Nei seguenti casi non è necessario sostituire le batterie:
 - se l'indicatore CO lampeggia con il suono di riproduzione quando si alza il volume.
 - se l'indicatore CO si illumina momentaneamente quando il nastro inizia a scorrere o alla fine del nastro.
 - se l'indicatore CO lampeggia durante le operazioni FF/REW o CUE/REVIEW.

Durata approssimativa delle batterie* (ore)

Batterie	Registrazione	Riproduzione**
Batterie alcaline Sony LR03 (SG)***	14,5	9
Batterie al manganese Sony R03 (SB)	5	2,5

* Valore misurato secondo lo standard JEITA (Japan Electronics and Information Technology Industries Association) (utilizzando una microcassetta Sony)

** I nastri su cui è stato registrata una sorgente musicale vengono riprodotti con l'impostazione di volume 7 mediante il diffusore.

*** Quando si utilizzano batterie a secco alcaline Sony LR03 (SG) (prodotte in Giappone).

Nota

È possibile che la durata della batteria risulti ridotta a seconda delle condizioni di utilizzo, della temperatura ambiente e del tipo di batteria.

Per una migliore prestazione si consiglia di utilizzare batterie alcaline.

Corrente domestica (vedere Fig. A-(d))

Collegare l'alimentatore CA alla presa DC IN 3V del registratore e a una presa di rete. Utilizzare un alimentatore CA* disponibile in commercio (tensione/corrente nominali in uscita: 3 V CC/700 mA). Non usare altri alimentatori CA.

* A seconda dell'alimentatore CA, durante l'utilizzo dell'unità è possibile sentire del rumore. Fare riferimento alle istruzioni per l'uso dell'alimentatore CA.



Nota

- La tensione della rete elettrica differisce a seconda dei paesi. Acquistare il alimentatore CA nel paese dove si intende usare il prodotto.
- Non toccare l'alimentatore CA con le mani bagnate.
- Collegare l'alimentatore CA ad una presa di rete CA facilmente accessibile. In caso di funzionamento anomalo dell'alimentatore CA, scollegarlo immediatamente dalla presa di rete CA.

Registrazione (vedere fig. B-(a))

È possibile registrare utilizzando il microfono incorporato. Accertarsi che la presa MIC sia libera.

- Premere il tasto di azzeramento del contatore.
- Premere ►► e inserire una microcassetta standard con il lato da registrare rivolto verso il coperchio (vedere fig. B-(b)).
- Selezionare la velocità del nastro desiderata.
 2,4 cm, per ottenere il suono ottimale (consigliata per l'uso normale). Durata della registrazione: 30 minuti usando entrambi i lati delle microcassette MC-30 (in dotazione solo per Stati Uniti e Europa). *Su questo lato è presente un punto tattile.*
 1,2 cm, per registrazioni più lunghe. Durata della registrazione: 60 minuti usando entrambi i lati delle microcassette MC-30 (in dotazione solo per Stati Uniti e Europa).
- Impostare la funzione VOR su OFF.
 Se la funzione VOR viene impostata su ON, la registrazione inizia automaticamente non appena l'apparecchio riceve un impulso sonoro e si interrompe quando non riceve più alcun impulso (in tal modo, si risparmiano nastro e pile).
 Quando il suono da registrare è particolarmente debole, impostare questa funzione su OFF. Diversamente, la registrazione potrebbe non avviarsi.
- Premere ●.
 ►► viene premuto simultaneamente e la registrazione viene avviata. Durante lo scorrimento del nastro, l'indicatore REC/BATT si illumina e lampeggia a seconda dell'intensità del suono.
 Il livello di registrazione è fisso.

Al termine del nastro, la registrazione si arresta e l'apparecchio si spegne automaticamente (meccanismo di spegnimento automatico).

Per	Premere o spostare
Arrestare la registrazione	►►
Effettuare una pausa durante la registrazione	Spostare ►► PAUSE nella direzione della freccia. Per sbloccare la pausa di registrazione, rilasciare ►► PAUSE*.
Avviare la registrazione durante la riproduzione	● durante la riproduzione (l'apparecchio entra in modo registrazione)
Controllare la parte di suono appena registrata	Premere FF/CUE ◄◄►► REW/REVIEW in direzione di ►► REW/REVIEW durante la registrazione. Rilasciare il tasto in corrispondenza del punto da cui si desidera avviare la riproduzione.
Estrarre la casetta	►►

* ►► PAUSE verrà automaticamente sbloccato quando viene premuto il tasto ►► (funzione di arresto-pausa-sbloccaggio).

Nota

Se si intende riprodurre mediante un altro apparecchio un nastro registrato, selezionare la velocità del nastro 2,4 cm. Diversamente, la qualità del suono potrebbe risultare alterata.

Nota su VOR (Voice Operated Recording)

Il sistema VOR è influenzato dalle condizioni di registrazione dell'ambiente. Pertanto, se il sistema viene utilizzato in un luogo rumoroso, l'apparecchio rimane nel modo di registrazione. Se invece il suono è troppo basso, l'apparecchio non avvia la registrazione. Se non è possibile ottenere i risultati desiderati, impostare VOR su OFF.

- È possibile che il sistema VOR non registri la parte iniziale del suono che si desidera registrare: ciò è dovuto al fatto che il sistema VOR avvia la registrazione solo dopo aver catturato il suono. Impostare VOR su OFF per effettuare registrazioni importanti.

Per controllare suono registrato

Collegare un auricolare (non in dotazione) in modo saldo alla presa EAR. Non è possibile regolare il volume per il controllo del suono mediante VOL.
 Per impedire la registrazione accidentale di una cassetta già registrata (vedere Fig. C-(c))

Spezzare e rimuovere le linguette di protezione della cassetta.

Per poter riutilizzare la casetta per una successiva registrazione, coprire con nastro adesivo le aperture lasciate dalle linguette.

Registrazione da diverse fonti sonore

Nota

Se ci si appresta a registrare una sorgente che non sarà disponibile in un secondo momento, si consiglia di fare una prova prima di avviare la registrazione effettiva.

Quando si registra con un microfono esterno, è possibile che la funzione VOR non operi correttamente a causa delle differenze di sensibilità.