

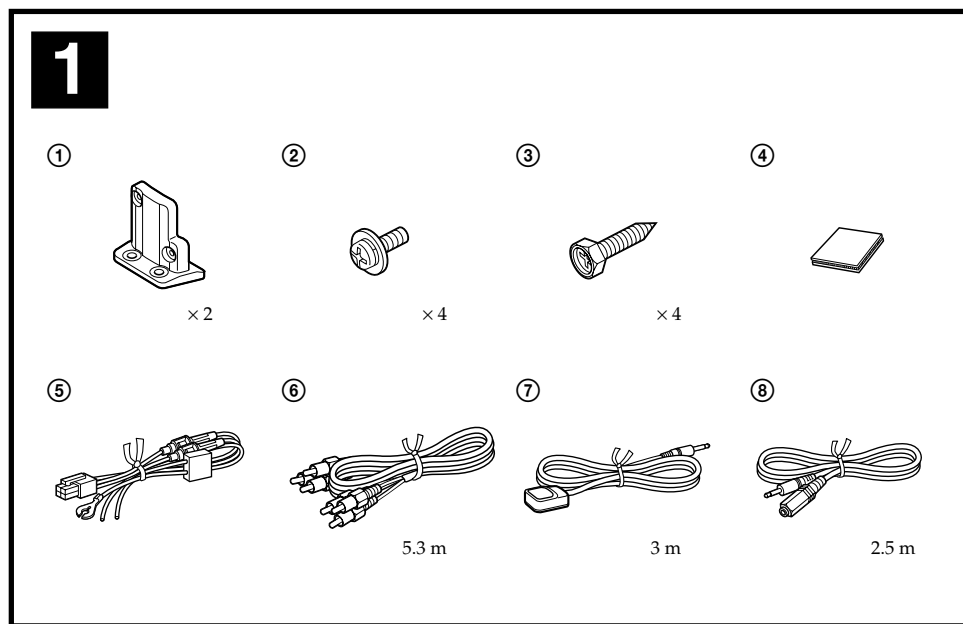
DVD Player

Installation/Connections

安裝／線路連接

MV-101

©2003 Sony Corporation Printed in Korea

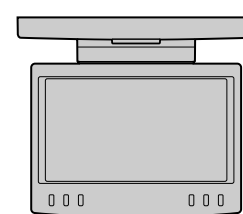


Equipment used in illustrations (not supplied)

There is an R (audio right)/L (audio left)/V (video) output on MV-101, so you can connect either XVM-R70 or XVM-H65.

插圖中的裝置（非附送）

在 MV-101 上有 R（音頻右）／L（音頻左）／V（視頻）輸出，因此您能連接 XVM-R70 或 XVM-H65。



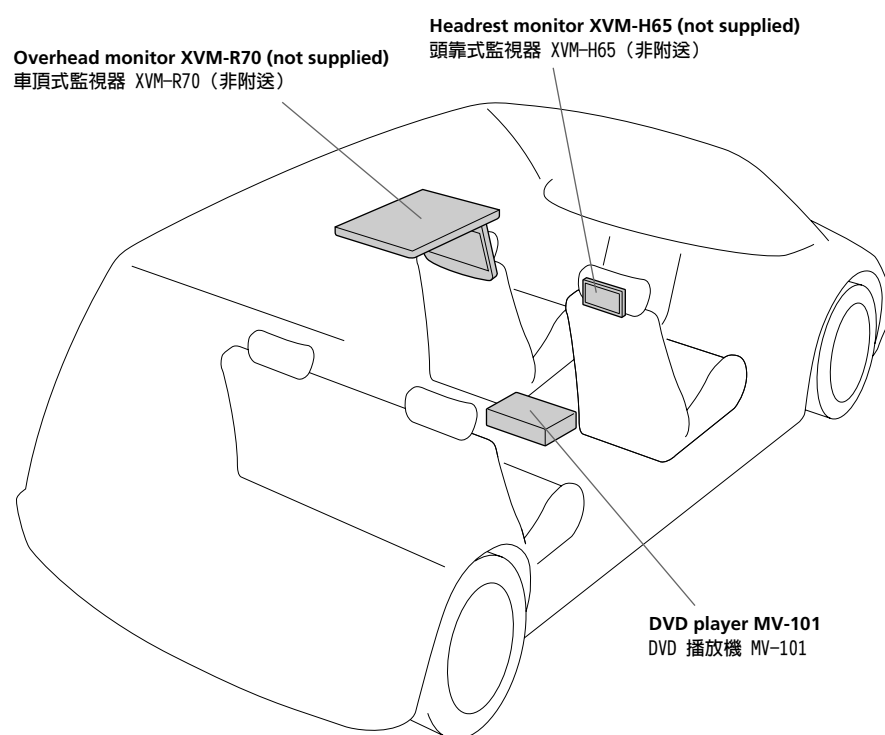
Overhead monitor XVM-R70
車頂式監視器 XVM-R70



Headrest monitor XVM-H65
頭靠式監視器 XVM-H65

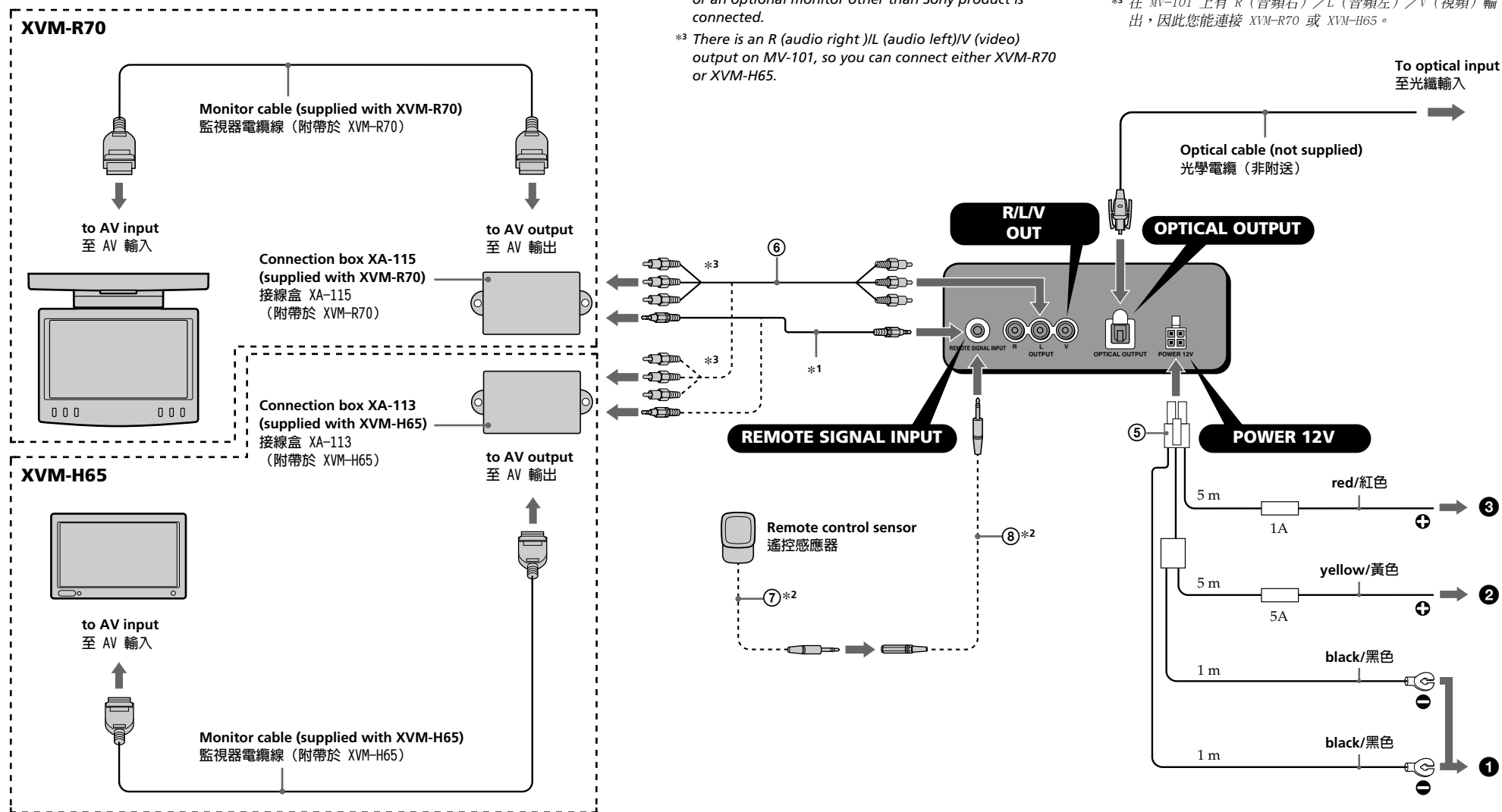
Mounting example

線路連接圖例



- *1 Remote signal cord with stereo mini jacks: (5m) (supplied with a Sony monitor)
Connects the player MV-101 and a connection box of an optional Sony monitor.
(However, this connection is not available for XVM-R75)
- *2 Remote control sensor ⑦ and its extension cord ⑧ (supplied with MV-101)
Connect the remote control sensor ⑦ and its extension cord ⑧ to the player MV-101 when XVM-R75, XVM-H6, or an optional monitor other than Sony product is connected.
- *3 There is an R (audio right) / L (audio left) / V (video) output on MV-101, so you can connect either XVM-R70 or XVM-H65.

- *1 帶有迷你型插孔的遙控訊號電線：(5m) (附帶於 Sony 監視器)
連接播放機 MV-101 和選購的 Sony 監視器接線盒。
(然而，對於 XVM-R75 不能使用此連接)
- *2 遙控感應器 ⑦ 和其延長電線 ⑧ (附帶於 MV-101)
當連接了 XVM-R75、XVM-H6，或除了 Sony 產品以外的選購的監視器時，將遙控感應器 ⑦ 和其延長電線 ⑧ 連接到播放機 MV-101。
- *3 在 MV-101 上有 R (音頻右) / L (音頻左) / V (視頻) 輸出，因此您能連接 XVM-R70 或 XVM-H65。



Caution

- This unit is designed for negative earth 12 V DC operation only.
- Before making connections, turn the car ignition off to avoid short circuits.
- Connect the **yellow** and **red** power input leads only after all other leads have been connected.
- Be sure to connect the red power input lead to the positive 12 V power terminal which is powered when the ignition switch is in the accessory position.
- Run all earth wires to a common earth point.**
- Use of controls adjustments or performance of procedures of other than those specified herein may result in hazardous radiation exposure.

Notes on the power supply cord (yellow)

- When connecting the player in combination with other stereo components, the connected car circuit's rating must be higher than the sum of each component's fuse.
- When no car circuits are rated high enough, connect the unit directly to the battery.

Notes on installation

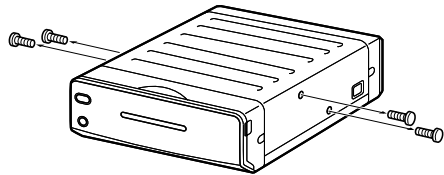
- Before installation, be sure to turn the ignition switch to the OFF position or take the key out. Installing the player and the monitor (not supplied) with the ignition on may cause battery drain or a short circuit.
- Do not damage any pipes, tubes, the fuel tank or electric wiring when installing the player and the monitor (not supplied). This can cause a fire. If you drill a hole in car panels, make sure that any hidden car parts will not be damaged.
- Do not use any nuts or bolts for safety devices such as steering linkage, fuel supply or braking systems. This can cause a fire or an accident.
- Take care to prevent cords and wires from getting tangled or crimped in the moving portion of a seat rail.

Parts list (1)

The numbers in the list are keyed to those in the instructions.

Cautions

- The screws attached to both sides of the player are necessary only when transporting the player. Before installing the player, be sure to take out all of the screws (left side: 2 and right side: 2, so total 4 screws).
- The 4 screws work to mechanically support the player during transportation, so keep the screws for future transportation, such as relocation, etc.



Connection diagram (2)

- to a metal surface on the car**
First connect the black earth lead, then connect the yellow and red power input leads.
- to the +12 V power terminal which is energized at all times**
Be sure to connect the black earth lead to a metal surface of the car first.
- to the +12 V power terminal which is energized when the ignition switch is in the accessory position**
Be sure to connect the black earth lead to a metal surface of the car first.

注意

- 本機只能使用負極接地 12 V 直流電源。
- 進行連接之前，請先關閉汽車的點火器，以避免短路。
- 黃色和紅色電源輸入導線必須在所有其它導線都連接完畢以後才連接。
- 當點火開關位於附件位置時，確保將紅色電源輸入導線連接至已供電的正極 12 V 電源端子。
- 將所有地線都連接到同一接地點。
- 除這些指定以外，控制器調節的使用或操作過程可能會導致危險的輻射暴露。

電源導線須知 (黃色)

- 將本機与其它立體聲裝置組合使用時，所連接的汽車電路容量必須大於每個裝置保險絲容量的總和。
- 當汽車電路容量不夠大時，請將本機直接與電池相連接。

安裝注意事項

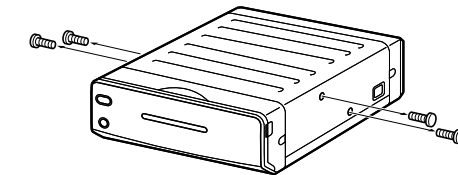
- 安裝前，必須將點火鑰匙轉到 OFF 位置，或拔出鑰匙。在引擎開啓時安裝本裝置和監視器 (非附送) 會造成電池消耗或短路。
- 安裝本裝置和監視器 (非附送) 時切勿傷及任何管路、管線、燃料箱或電器線路，否則會引起火災。如果在汽車面板內鑽孔，應確保不會損壞任何隱蔽的汽車部件。
- 切勿將螺母或螺栓用於安全設備，如轉向聯動裝置、燃料輸送或煞車系統，否則會造成火災或事故。
- 請當心防止軟線或電線纏繞住或卷住座椅橫檔的可移動位置。

零件一覽表 (1)

圖示數字與說明書中的數字是一致的。

注意

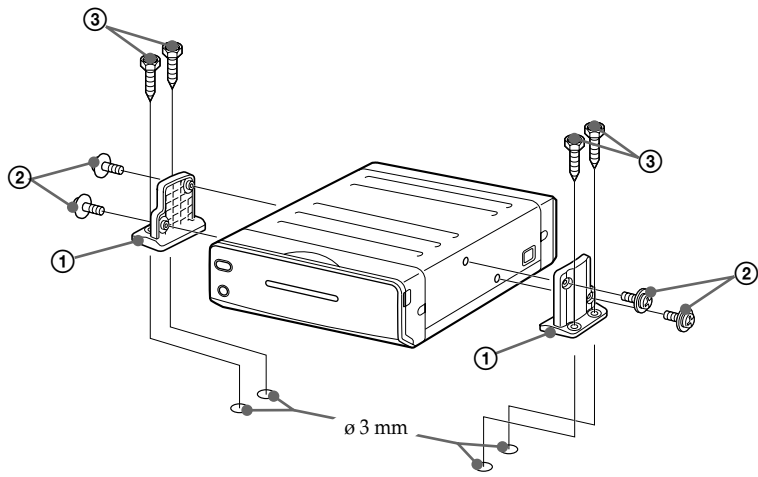
- 僅在運送播放機時，才需要裝播放機兩側的螺絲。安裝播放機之前，確保擰下所有螺絲 (左側：2 個，右側：2 個，共 4 個螺絲)。
- 這 4 個螺絲在運送時起機械地固定播放機的作用，因此，妥善保存這些螺絲以便以後如重新安裝等運送時使用。



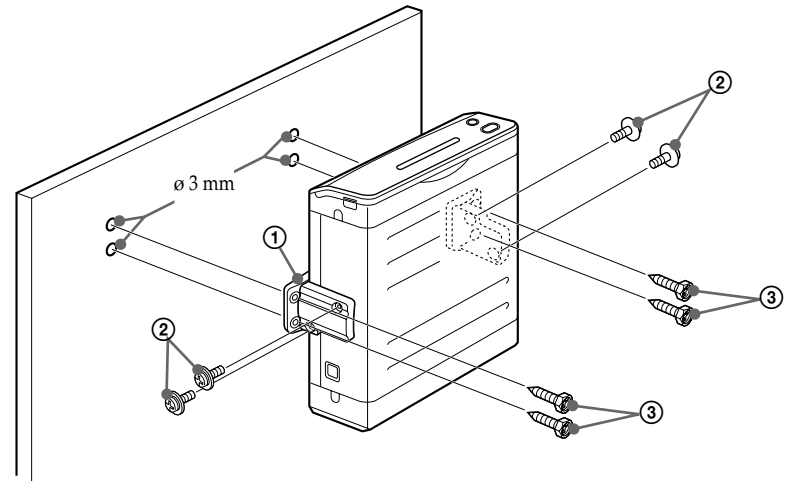
線路連接圖 (2)

- 至汽車的金屬表面
首先連接黑色接地導線，然後再連接黃色和紅色電源輸入導線。
- 至始終都通電的 +12 V 電源端子
必須首先將黑色接地導線連接至汽車的金屬表面。
- 至在點火鑰匙的附件位置上通電的 +12 V 電源端子
必須首先將黑色接地導線連接至汽車的金屬表面。

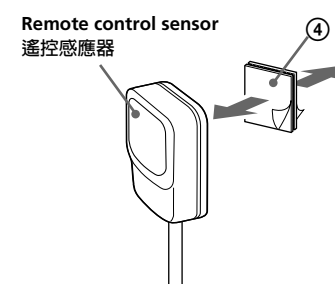
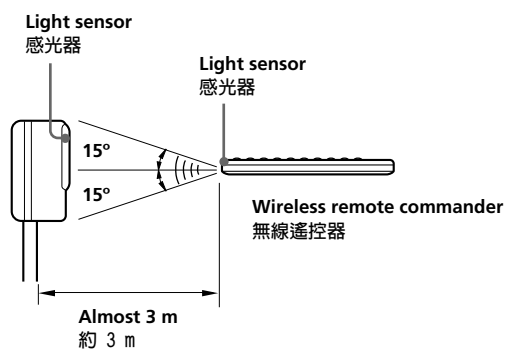
3 A Horizontal installation 水平安裝



B Vertical installation 垂直安裝



4



Precautions

- Choose the mounting location carefully.
- Avoid installing the player in places:
 - subject to temperatures below -30°C or above 45°C .
 - subject to direct sunlight.
 - subject to heat;
 - Keep all products away from nearby hot vehicle components that heat up over time such as hoses, high current wires, and braking system components. Make sure to leave enough room for ventilation of openings and slots to protect from over heating.
 - near heat sources such as heaters.
 - exposed to rain or moisture.
 - exposed to excessive dust or dirt.
 - subject to excessive vibration.
 - where the fuel tank might be damaged by the tapping screws.
 - where wire harnesses or pipes might be under the place.
 - where the screws or the player itself might damage the spare tire, tools, or other equipment in or under the trunk.
 - where the player might interfere with the normal movements of the driver.
 - under the floor carpet, as the heat dissipation from the player might damage the carpet.
- Be sure to use only the supplied mounting hardware for a safe and secure installation.
- Use only the supplied screws.
- Make holes of $\varnothing 3\text{ mm}$ only after making sure there is nothing on the other side of the mounting surface.
- Do not install the player on inclined places. Install the player on a level surface.
- Install the player just horizontally or vertically.

How to install the player (3)

When installing the player, choose the mounting location carefully.

- 1 Place the player where you plan to install it.**
- 2 Mark the 4 positions for the holes of the screws (3) on the surface of the mounting board (not supplied).**

The supplied mounting screws (3) are 15 mm long, so make sure that the mounting board is thicker than 15 mm.
- 3 Drill the 4 positions to make the holes of $\varnothing 3\text{ mm}$ in diameter.**
- 4 Mount the player on the board (not supplied) with the parts (1) and mounting screws of (2) and (3).**

Remote control sensor (4)

Before installing the remote control sensor, make sure the maximum signal distance of remote control. The remote control can be used up to approximately 3 m from the light sensor, in a conical area spreading roughly 15° from the light sensor.

For your safety

After installing the remote control sensor, be sure to use the cord clamp (not supplied) to secure up the cord onto the passenger seat side, as it may interfere with the normal driving operation. It is very dangerous for the cord to get tangled with the gearshift lever during driving.

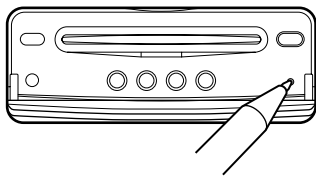
Warning when installing in a car without ACC (accessory) position on the ignition key switch

After turning off the ignition, be sure to press and hold the POWER button on the card remote commandar for more than 2 seconds. Make sure that the green light of the POWER button on the player is turned off.

Otherwise, the player is not turned off and this causes battery drain.

RESET button

When the installation and connections are completed, be sure to open the front panel, then press the RESET button with a ballpoint pen, etc.



使用前注意事項

- 仔細選擇安裝位置。
- 避免在以下地方安裝播放機：
 - 溫度低於 -30°C 或高於 45°C 之處。
 - 直射陽光之處。
 - 受熱之處；
 - 將所有產品與軟管、大電流電線和煞車系統部件等會逐漸發熱的汽車部件保持距離。確保在開口和狹槽的通風處留有足夠的空間，以防產品過熱。
 - 加熱器等熱源附近。
 - 淋雨或潮濕之處。
 - 多塵或污垢之處。
 - 過度震動之處。
 - 油箱可能會被自攻螺釘損壞之處。
 - 下面可能有配線或管道之處。
 - 螺絲或播放機本身可能會損壞行李箱內或行李箱下的備用輪胎、工具或其它設備之處。
 - 播放機可能會妨礙司機的正常駕駛之處。
 - 地毯下，因為從播放機散發出來的熱量可能會損壞地毯。
- 為了安全和牢固安裝，只能使用附送的安裝附件。
- 僅使用附送的螺絲。
- 只有確保安裝面的另一側沒有東西後才能鑽 $\varnothing 3\text{ mm}$ 的孔。
- 切勿在傾斜處安裝播放機。應在平面處安裝。
- 只能水平或垂直安裝播放機。

如何安裝播放機 (3)

安裝播放機時，請仔細選擇安裝位置。

- 1 將播放機放置在您打算安裝的地方。**
- 2 在安裝板（非附送）的表面標記螺絲 (3) 孔的 4 個位置。**

附送的安裝螺絲 (3) 長 15 mm，因此，確保安裝板的厚度大於 15 mm。
- 3 在標記的 4 個位置上鑽直徑為 $\varnothing 3\text{ mm}$ 的孔。**
- 4 用部件 (1) 和安裝螺絲 (2) 和 (3) 將播放機安裝在安裝板（非附送）上。**

遙控感應器 (4)

安裝遙控感應器之前，確保遙控器的訊號距離最大。遙控器可以在離感光器約 3 m 之內，從感光器起約 15° 度的發散錐形區域內使用。

關於安全

安裝遙控感應器之後，請確保使用電線夾（非附送）將電線固定在乘客座位側面，否則可能會妨礙司機的正常駕駛操作。駕駛過程中若電線和變速排檔桿纏繞在一起是很危險的。

安裝在點火鑰匙開關上沒有 ACC（附件）位置的汽車上時的警告

關閉引擎後，必須按住卡片式遙控器上的 POWER 按鈕超過 2 秒。確保播放機上 POWER 按鈕的綠燈熄滅。

否則，播放機沒有關閉，並導致電池消耗。

RESET 按鈕

安裝和線路連接完成後，必須打開前面板，然後用原子筆等按 RESET 按鈕。

