

# ***Wireless Stereo Headphone System***

---

Operating Instructions

***MDR-RF820RK  
MDR-RF850RK***

## WARNING

**To prevent fire or shock hazard, do not expose the unit to rain or moisture.**

**To prevent fire or shock hazard, do not place objects filled with liquids, such as vases, on the apparatus.**

**To avoid electrical shock, do not open the cabinet. Refer servicing to qualified personnel only.**

Do not install the appliance in a confined space, such as a bookcase or built-in cabinet.



Hereby, Sony Corp., declares that this equipment is in compliance with the essential requirements and other relevant provisions of Directive 1999/5/EC.

For details, please access the following URL :  
<http://www.compliance.sony.de/>

This product is intended to be used in the following countries.

CEK version: United Kingdom

CED version: Germany, Sweden, Denmark,  
Finland, Norway, Belgium,  
Switzerland, Austria,  
Netherlands, France, Portugal,  
Italy, Spain

To check for version, please refer to the barcode label located on the top of the box.

## Welcome!

Thank you for purchasing the Sony MDR-RF820RK/RF850RK Wireless Stereo Headphone System. Before operating the unit, please read this manual thoroughly and retain it for future reference.

Some features are:

- Wireless system that allows you to listen to a program free from the restriction of a cord
- High fidelity sound reproduction
- A compact transmitter with an AC power adaptor (supplied) enables simple charging of the headphone batteries. Just by placing the headphones on the transmitter, headphone batteries can be charged.
- Comfortable Circum-aural headphones with self adjusting head band
- Automatic ON/OFF function on headphones to preserve battery power

---

# Notes on receiving performance

This system utilizes very high frequency signals in the 800 MHz band so the receiving performance may deteriorate due to the surroundings. The following examples illustrate conditions that may reduce the reception range or cause interference.

- Inside a building with walls containing steel beams.
- An area with many steel file cabinets, etc.
- An area with many electrical appliances capable of generating electromagnetic fields.
- The transmitter is placed on a metal instrument.
- An area facing a roadway.
- Noise or interfering signals exist in the surroundings due to radio transceivers in trucks, etc.
- Noise or interfering signals exist in the surroundings owing to wireless communication systems installed along roadways.

---

# Table of contents

---

## Getting started

Unpacking .....	4
Charging the supplied rechargeable batteries .....	4
Setting up the transmitter .....	7

---

## Operating the system

Listening to a programme .....	9
The effective areas of the transmitter .....	11
Replacing the ear pads .....	11

---

## Additional information

Precautions .....	12
Troubleshooting .....	12
Specifications .....	13

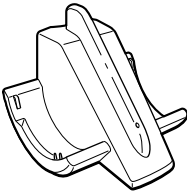
## Unpacking

Check that you have the following items:

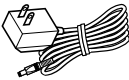
- The headphones (1)



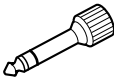
- The transmitter (1)



- AC power adaptor (1)



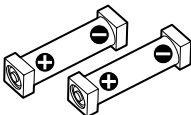
- Unimatch plug adaptor (1) (stereo mini jack ↔ stereo phone plug)



- Connecting cord (1) (phono plugs ↔ stereo mini plug), 1 m



- Rechargeable nickel-metal hydride batteries (2)

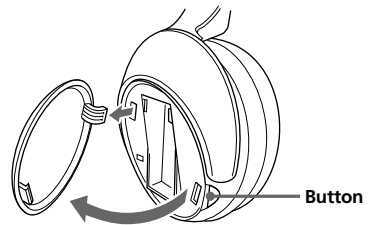


## Charging the supplied rechargeable batteries

The supplied rechargeable nickel-metal hydride batteries are not charged from the first time you use them. Be sure to charge them before use. To charge the headphones, place them on the transmitter.

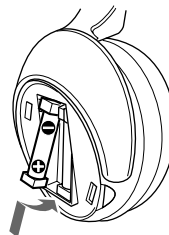
- 1** Press the button of the left housing to open the battery compartment lid.

The battery compartment lid comes off.

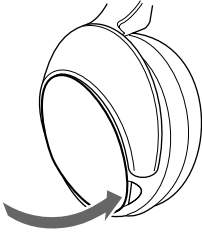


- 2** Insert the supplied rechargeable nickel-metal hydride batteries into the battery compartment matching the ⊕ terminals on the batteries to the ⊕ marks in the compartment.

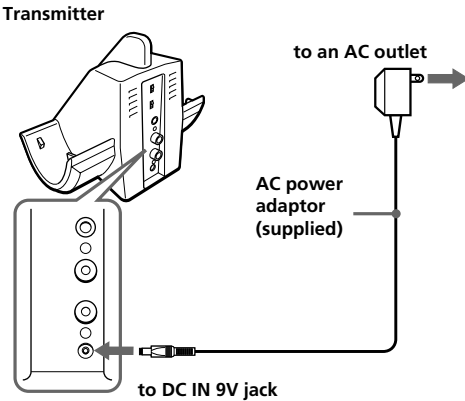
Do not use rechargeable batteries other than the supplied ones.



### 3 Close the battery compartment lid.



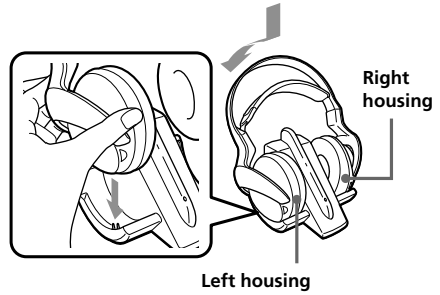
### 4 Connect the supplied AC power adaptor to the transmitter.



### 5 Rest the headphones on the transmitter so that the headphones' contact point meets the transmitter's contact pin while making sure that the charging indicator lights in green.

Charging is completed in about 16 hours and the charging indicator goes off.

When placing the headphones on the transmitter, be sure to hold them level with both hands and that the right and left housings are placed straight down on the transmitter, and then tilt them back as illustrated above.



### When the indicator does not light in green

Check if the right and left headphones are rested on the transmitter correctly. The indicator will not light up if the headphones' contact point does not meet the transmitter's contact pin. Remove the headphones and replace them on the transmitter again so that the indicator lights in green.

### To recharge the headphone battery after use

Place the headphones on the transmitter after use. Since the built-in timer recognizes when charging is complete, there is no need to remove the headphones from the transmitter after charging.

### Notes

- The transmitter automatically turns off while charging the batteries.
- This system is designed to charge only the supplied rechargeable batteries type BP-HP550 for safety. Note that other types of rechargeable batteries cannot be charged with this system.
- If dry batteries are installed, they cannot be charged.
- Do not attempt to use the supplied BP-HP550 rechargeable batteries for other components. They are for use with this system only.
- Charge in an environmental temperature of between 0°C and 40°C (between 32°F and 104°F).

continue to next page

## Charging and usage hours

Approx. charging hours	Approx. usage time*1	
	MDR-RF820RK	MDR-RF850RK
1 hour	80 minutes*3	75 minutes*3
16 hours*2	18 hours*3	15 hours*3

\*1 at 1kHz, 1mW+1mW output

\*2 hours required to fully charge empty batteries

\*3 Time stated above may vary, depending on the temperature or conditions of use.

## Using the headphones with dry batteries (sold separately)

Commercially available (size AAA) dry batteries can also be used to power the headphones.

Install the batteries in the same manner as described in steps 1 through 3 of "Charging the supplied rechargeable batteries."

When dry batteries are installed, the battery charge function is not activated.

## Battery life

(Using Sony alkaline battery LR03/AM-4(N))

Battery	Approx. hours*1
MDR-RF820RK	28 hours*2
MDR-RF850RK	24 hours*2

\*1 at 1kHz, 1mW+1mW output

\*2 Time stated above may vary, depending on the temperature or conditions of use.

## Notes on Batteries

- Do not charge a dry battery.
- Do not carry a dry battery together with coins or other metallic objects. It can generate heat if the positive and negative terminals of the battery accidentally come into contact with metallic objects.
- If you are not going to use the unit for a long time, remove the battery to avoid damage from battery leakage or corrosion.

## Checking the remaining battery power

Pull up the self-adjusting band and check the power indicator located on the upper part of the right housing. The batteries are still serviceable when the indicator lights in red.

Charge the rechargeable batteries or install new dry batteries if the power indicator light dims, flashes, or the sound becomes distorted or noisy.

### Note

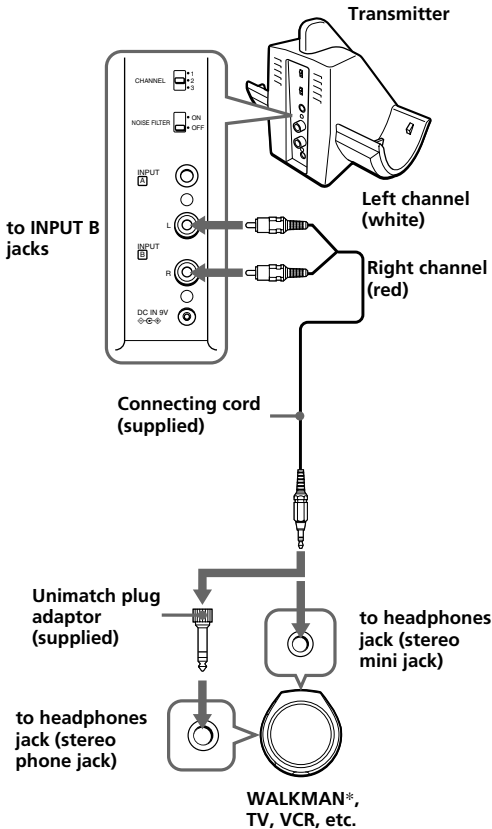
The rechargeable nickel-metal hydride batteries should be replaced with new ones when they last only half the expected time after a proper recharging. The rechargeable batteries type BP-HP550 are not commercially available. You can order the batteries from the store where you purchased this system, or at your nearest Sony dealer.

# Setting up the transmitter

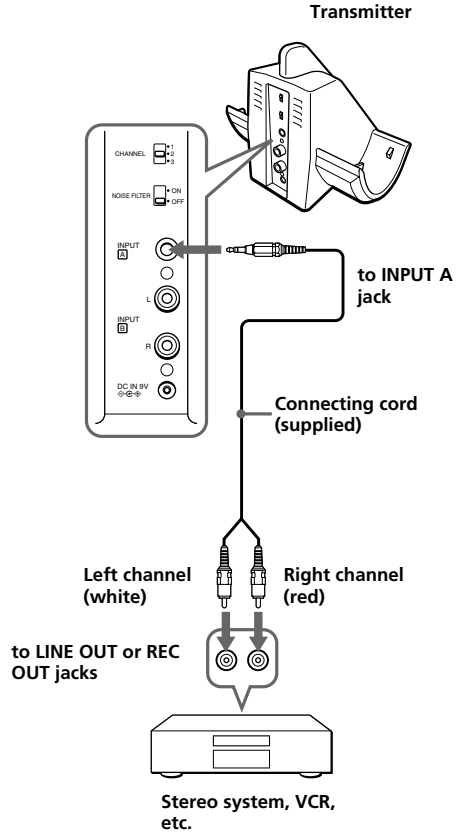
## 1 Connect the transmitter to audio/video equipment.

Select one of the hookups below depending on the jack type:

Ⓐ To connect to a headphones jack



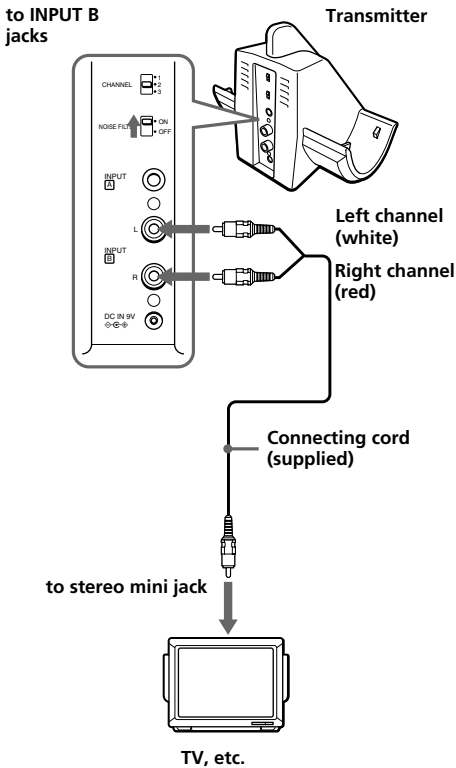
Ⓑ To connect to LINE OUT or REC OUT jacks



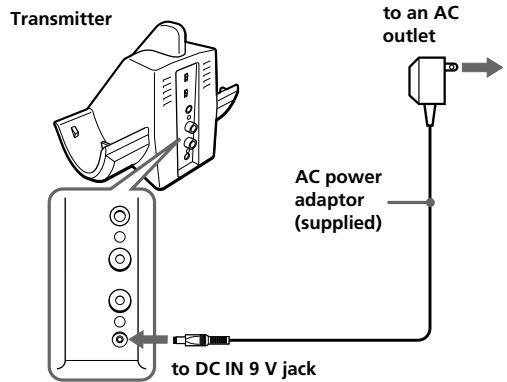
\* WALKMAN is a registered trademark of Sony Corporation to represent Headphone Stereo products.

© To connect to TV, etc.

If noise occurs when the transmitter is connected to your TV or VCR, set the NOISE FILTER switch to ON.



## 2 Connect the supplied AC power adaptor to the transmitter.



### Notes

- Use only the supplied AC power adaptor. Do not use any other AC power adaptor.



### Polarity of the plug

- If the connected equipment has the AVLS (Automatic Volume Limiter System) function, be sure to turn the function off when using the transmitter. Otherwise, you will have to turn up the volume of the headphones, and that may cause noise.

### Notes

- If you connect the transmitter to LINE OUT or REC OUT jacks of an audio reproducer such as an MD player or CD player, do not set the NOISE FILTER switch to ON. Otherwise, volume will be limited.
- The NOISE FILTER switch is active only in the case of the connection shown in diagram ① on page 7 and ②. In diagram ③, the switch has no effect.
- When the transmitter is placed on or near a TV, it may pick up a noise. In such case, place the transmitter away from the TV.

















