

Specifications

Speaker	Coaxial 3-way: Woofer 16 × 24 cm cone type Midrange 6.6 cm cone type Tweeter 2.2 cm dome type
Maximum input power	220 watts
Rated input power	50 watts
Impedance	4 ohms
Sensitivity	93 dB/W/m
Frequency response	25 – 28,000 Hz
Mass	Approx. 1,300 g per speaker

Design and specifications are subject to change without notice.

Precautions

- Do not continuously use the speaker system beyond the maximum power handling capacity.
- Keep recorded tapes, watches, and personal credit cards using magnetic coding away from the speaker system to protect them from damage caused by the magnets in the speakers.

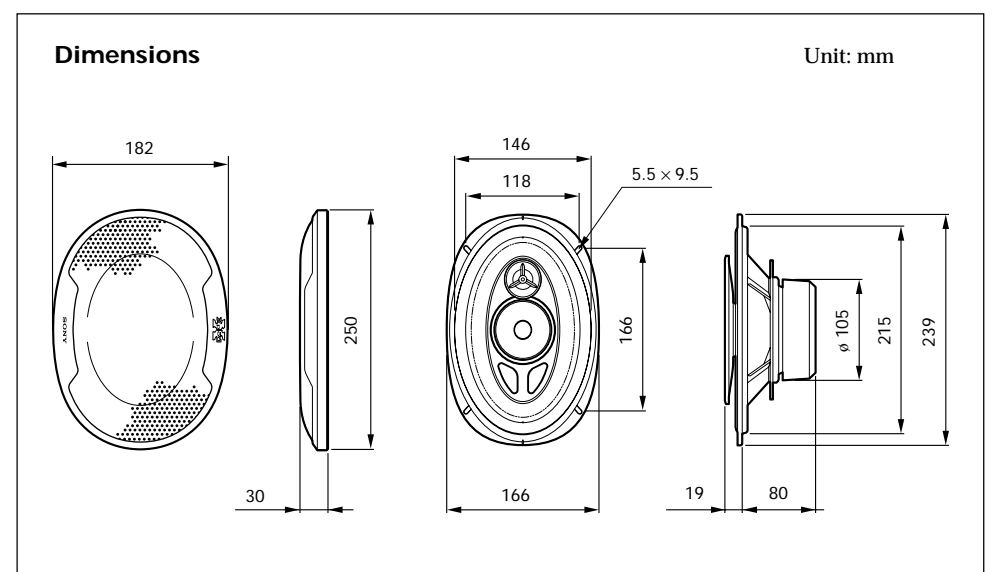
If you cannot find an appropriate mounting location, consult your car dealer or your nearest Sony dealer before mounting.

3-way Speaker

Instructions

XS-F6932SL

Sony Corporation © 2002 Printed in Thailand



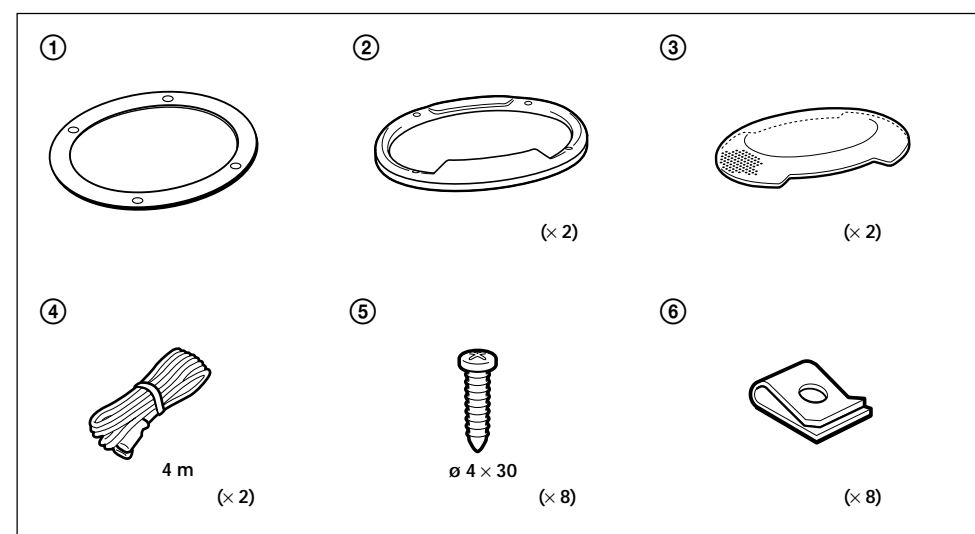
Mounting

Before mounting

A depth of at least 80 mm is required for flush mounting. Measure the depth of the area where you are to mount the speaker, and ensure that the speaker is not obstructing any other components of the car. Keep the following in mind when choosing a mounting location.

- Make sure that nothing is obstructing around the mounting location of the rear tray where you are to mount the speaker.
 - A hole for mounting may already be cut out of the inner panel of the rear tray. In this case, you need to modify the board only.
 - If you are to mount this speaker system in the rear tray, make sure that the speaker terminals, frame or magnet do not touch any inner parts of the car, such as the torsion bar springs (when you open or close the trunk lid), etc.
- Also make sure that the speaker grille does not touch any inner fittings, such as seat belts, head rests, center brake lights, inner covers of the rear wipers, curtains or air purifiers etc.

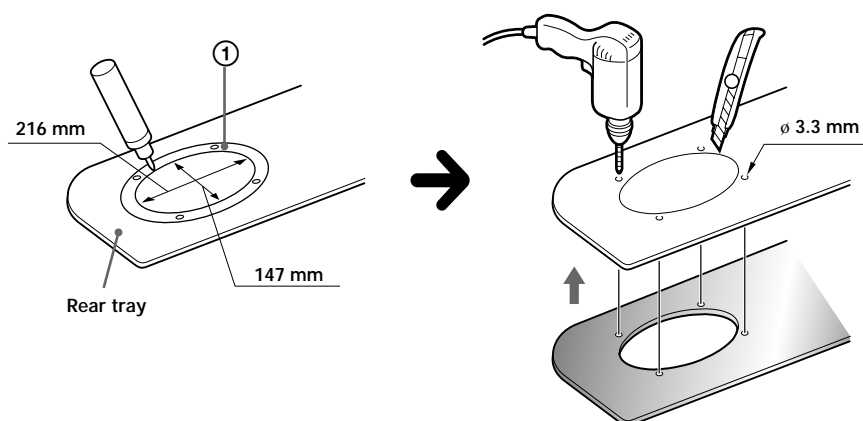
Parts list



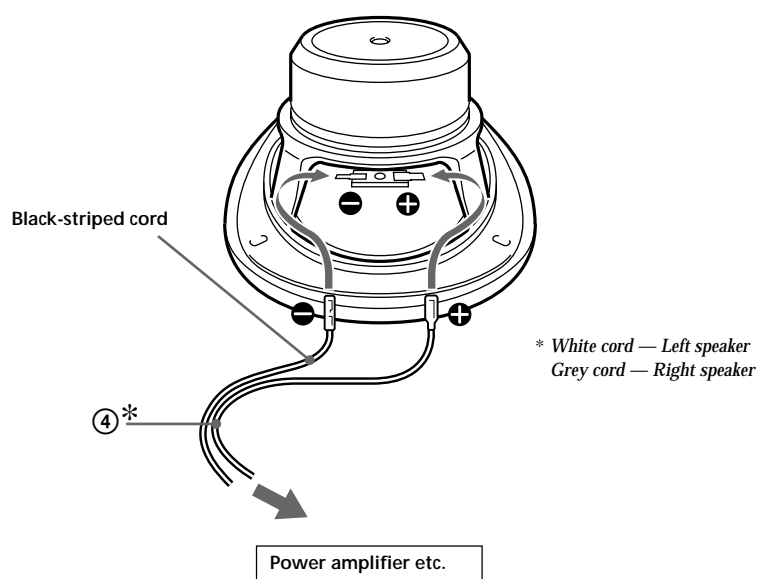
Mounting from the car interior (Top mounting)

1 Mark the four bolt holes and make them 3.3 mm* in diameter.

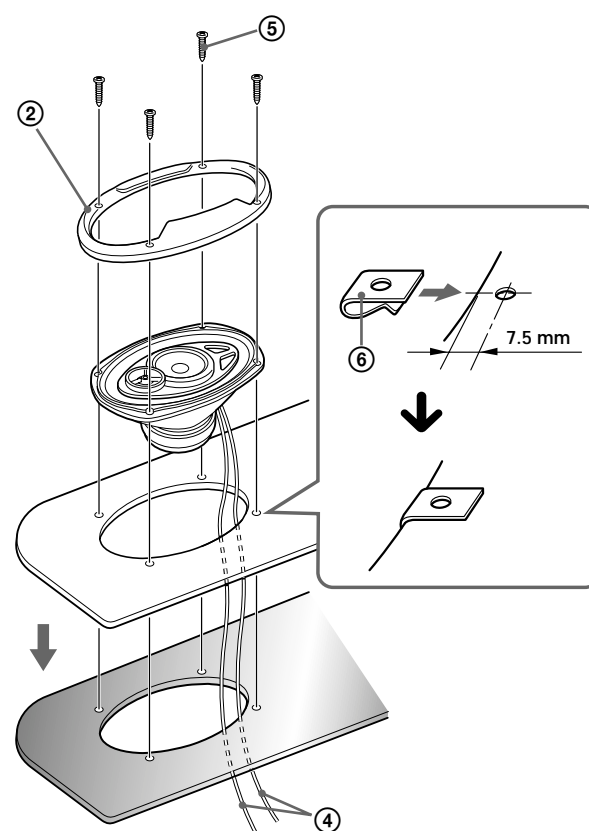
* When using ⑥: ø 5 mm



2

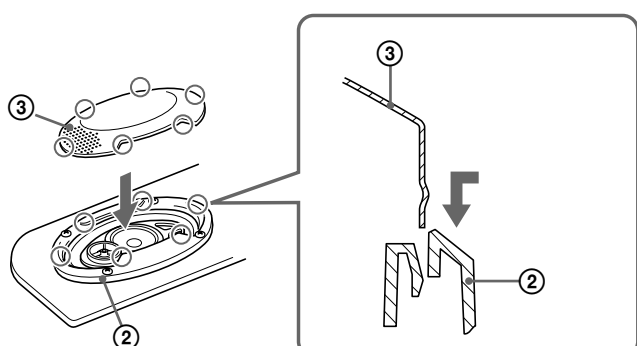


3



4

Press and insert the edges of the grille net.



How to remove the grille net.

