

# Wireless Stereo Speaker System

## Operating Instructions

### Mode d'emploi

### Deutsch

Hiermit erklärt die Sony Corporation, dass sich dieses System in Übereinstimmung mit den grundlegenden Anforderungen und den anderen relevanten Vorschriften der Richtlinie 1999/5/EG befindet.

Dieses Gerät kann in folgenden Ländern verwendet werden.  
Version CEK: Großbritannien  
Version CED: Deutschland, Schweden, Dänemark, Finnland, Norwegen, Belgien, Schweiz, Österreich, Niederlande, Frankreich, Portugal

Wenn Sie nachsehen wollen, um welche Version es sich bei Ihrem Modell handelt, schauen Sie bitte nach dem Strichcodeetikett oben auf dem Karton.

### Norsk

Herved erklarer Sony Corp.at dette utstyret er i overensstemmelse med vesentlige krav og andre relevante bestemmelser som fremgår av direktiv 1999/5/EC.

Dette produktet er ment for bruk i følgende land: CEK-versjon: Storbritannia  
CED-versjon: Tyskland, Sverige, Danmark, Finland, Norge, Belgia, Sveits, Østerrike, Nederland, Frankrike, Portugal

Du kan sjekke versjon ved å se på strekkode-etiketten på toppen av esken.

**Ελληνικά**  
ΜΕ ΤΗΝ ΠΑΡΟΥΣΑ Η Sony Corp. ΔΗΛΩΝΕΙ ΟΤΙ Η ΣΥΣΚΕΥΗ ΣΥΜΜΟΡΦΟΝΕΤΑΙ ΠΡΟΣ ΤΙΣ ΟΥΣΙΩΔΗΣ ΑΠΑΙΤΗΣΕΙΣ ΚΑΙ ΤΙΣ ΛΟΙΠΕΣ ΣΧΕΤΙΚΕΣ ΔΙΑΤΑΞΕΙΣ ΤΗΣ ΟΔΗΓΙΑΣ 1999/5/ΕΚ

Αυτό το προϊόν προορίζεται για να χρησιμοποιηθεί στις παρακάτω χώρες.  
Εκδόση CEK: Ηνωμένο Βασίλειο  
Εκδόση CED: Γερμανία, Σουηδία, Δανία, Φινλανδία, Νορβηγία, Βέλγιο, Ελβετία, Αυστρία, Ολλανδία, Γαλλία, Πορτογαλία

Για να ελέγξετε την έκδοση, παρακαλούμε ανατρέξτε στην σελίδα με τον κωδικό ραβδόδοσης που βρίσκεται στο επάνω μέρος του κουτιού.

### Italiano

Con la presente Sony Corp. dichiara che questo apparecchio è conforme ai requisiti essenziali ed alla altre disposizioni pertinenti stabilite dalla direttiva 1999/5/CE.

Il presente prodotto è destinato all'utilizzo nei paesi elencati di seguito.  
Versione CEK: Regno Unito  
Versione CED: Germania, Svezia, Danimarca, Finlandia, Norvegia, Belgio, Svizzera, Austria, Olanda, Francia, Portogallo

Per verificare la versione, fare riferimento all'etichetta con il codice a barre situata sulla parte superiore della scatola.

### Español

Por medio de la presente, Sony Corp. declara que el equipo cumple con los requisitos esenciales y cualesquiera otras disposiciones aplicables o exigibles de la Directiva 1999/5/CE.

Este producto está destinado a utilizarse en los siguientes países:  
Versión CEK: Reino Unido  
Versión CED: Alemania, Suecia, Dinamarca, Finlandia, Noruega, Bélgica, Suiza, Austria, Holanda, Francia, Portugal

Para comprobar la versión, consulte la etiqueta del código de barras situada en la parte superior de la caja.

### Português

A Sony Corp., declara que este equipamento está conforme com os requisitos essenciais e outras provisões da directiva 1999/5/EC.

Este produto destina-se a ser utilizado nos seguintes países:  
Versão CEK: Reino Unido  
Versão CED: Alemanha, Suécia, Dinamarca, Finlândia, Noruega, Bélgica, Suíça, Áustria, Países Baixos, França, Países, Portugal

Para verificar a versão, consulte a etiqueta do código de barras localizada na parte de cima da caixa.

## Welcome!

Thank you for purchasing the Sony SRS-RF80RK /RF80R Wireless Stereo Speaker System. Before operating the unit, please read this manual thoroughly and retain it for future reference.

- Some features are:
  - Wireless system that allows you to use your system free from the restriction of speaker cords.
  - Wide signal reception range up to about 246 feet (75 m).
  - 3 Channel options on transmitter for optimum signal reception.
  - Auto tuning function available on speaker.
  - Reflector attached on the speaker system creates a high fidelity sound field.
  - The one-box stereo type structure produces a wide soundstage.
  - This speaker system can be powered two ways; you can use the supplied AC power adaptor or built-in rechargeable battery.
- Novel and unconventional design with blue-illumination for an attractive showpiece in any room.

## Notes on receiving performance

- The system for this equipment utilizes very high frequency signals in the 800 MHz band so the receiving performance may deteriorate due to the surroundings. The following examples illustrate conditions that may reduce the possible receiving range or cause interference with reception.
  - Inside a building with walls containing steel beams.
  - Area with many steel file cabinets, etc.
  - Area with many electrical appliances capable of generating electromagnetic noise.
  - Transmitter is placed on a metal instrument.
  - Area facing roadways.
  - Noise or interfering signals exist in the surroundings due to radio transceivers in trucks, etc.
  - Noise or interfering signals exist in the surroundings due to wireless communication systems installed along roadways.
  - Transmitter is placed directly on floor.
- Placing it up off the floor, such as on a desk, is recommended.

### Getting started

## Unpacking

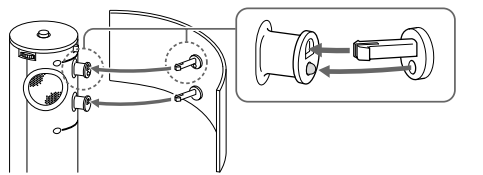
Check that you have the following items:

- The speaker system
- The transmitter (SRS-RF80RK only)
- AC power adaptor (2 for SRS-RF80RK) (1 for SRS-RF80R)
- Connecting cord (phono plugs ↔ stereo mini plug), 1 m (SRS-RF80RK only)

## Hooking up the system

### Attaching the supplied reflector to the speaker system

Insert the plugs until its base is settled firmly as illustrated.

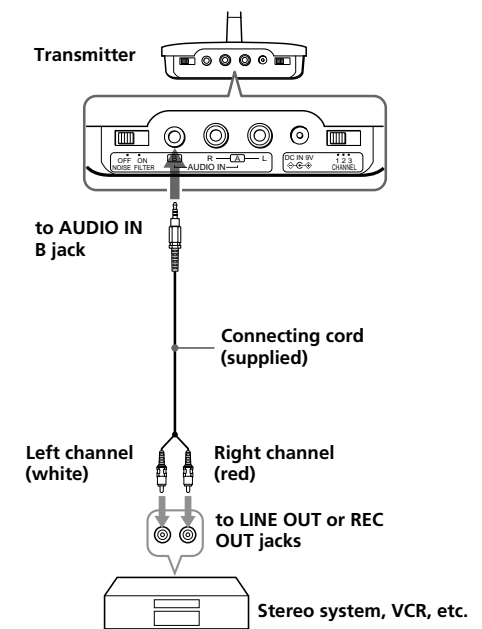


### Connecting the transmitter to an audio/video equipment.

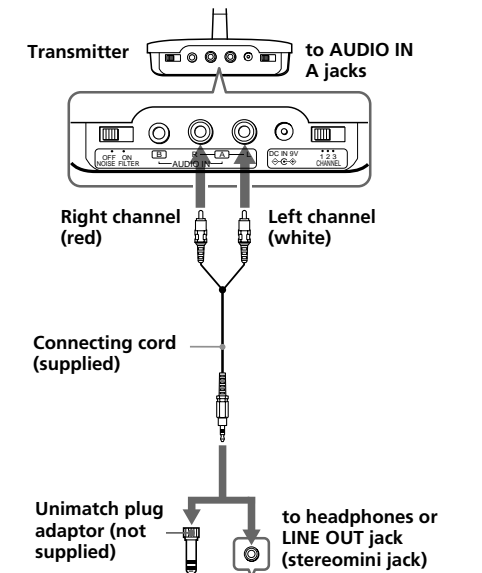
**For customers buying the SRS-RF80R**  
You can use the transmitter supplied with the MDR-RF815RK or MDR-RF845RK. If you have already set the transmitter, the following hookup of the transmitter is not required. However, you cannot use a transmitter supplied with a cordless/wireless headphone system other than the above models.

**For customers buying the SRS-RF80RK**  
Set the transmitter by the following steps. Select the hookup depending on the jack type of the audio/video equipment you want to connect the transmitter to.

- Ⓐ To connect to a LINE OUT or REC OUT

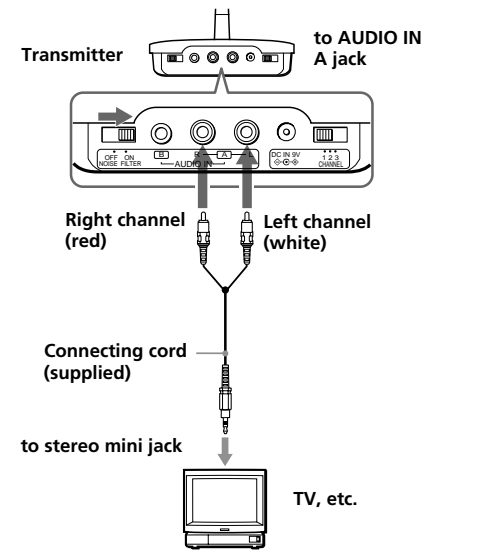


- Ⓑ To connect to LINE OUT or headphones jacks



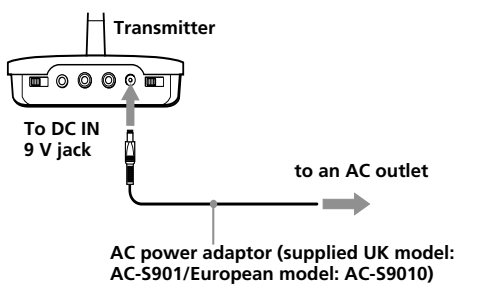
- Ⓒ To connect to TV, etc.

If noise occurs when the transmitter is connected to the headphone jack of your TV or VCR, set the NOISE FILTER switch to ON.

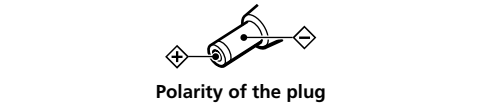


- Notes**
  - If you connect the transmitter to LINE OUT or REC OUT jack, do not set the NOISE FILTER switch to ON. Otherwise, the volume will be limited.
  - The NOISE FILTER switch effects the sound only in case of such as connection diagram Ⓒ. In diagrams Ⓐ and Ⓑ, the switch has no effect.
  - When the transmitter is placed on or near a TV, it may pick up a noise. In such case, place the transmitter away from the TV.

### Connecting the transmitter to an AC outlet using the supplied AC power adaptor



- Notes**
  - Use only the supplied AC power adaptor. Do not use any other AC power adaptor.



- When you connect the connecting cord directly to an earphone jack, the audio signal will not be output through the right channel. In such a case, use the separately sold PC-236MS plug adaptor.
- If the connected equipment has the AVLS (Automatic Volume Limiter System) function, be sure to turn the function off when using the transmitter. Otherwise, you will have to turn up the volume of the speaker system, and that may cause noise.
- If the connected equipment has the BASS BOOST or MEGA BASS function, be sure to turn the function off when using the transmitter. Otherwise, the sound from the speaker system may be distorted.
- Do not place the transmitter near a fluorescent lamp, etc. when using the system.
- \* WALKMAN is a registered trademark of Sony Corporation.

### The effective areas of the transmitter

The optimum distance is up to approximately 246 feet (75 m) without the system picking up some interference. However, the distance may vary according to the surroundings and environment. If the system picks up some noise while using it within the above mentioned distance, reduce the distance between the transmitter unit and the speaker system, or select another channel.

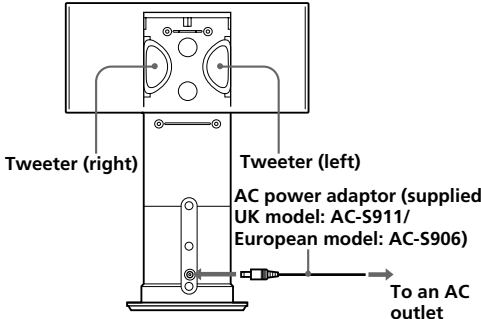
- Notes**
  - When you use the speaker system inside the effective areas of the transmitter, the transmitter can be placed in any direction from the listener.
  - Even within the signal reception area, there are some spots (dead spot) where the RF signal cannot be received. This is a characteristic inherent to RF signals, and does not indicate malfunction. By slightly moving the transmitter, location of the dead spot can be changed.

## Charging the speaker system battery

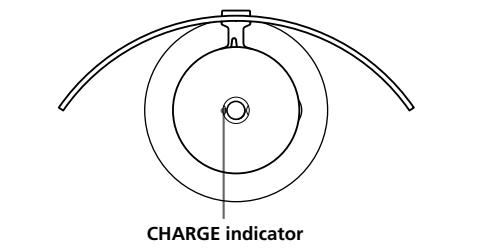
### Using the speaker system for the first time

When you use the system for the first time, charge the battery in the following manner.

- 1 Connect the speaker system to a power source.



- 2 The CHARGE indicator on the speaker system will light up to indicate that the battery is being charged.

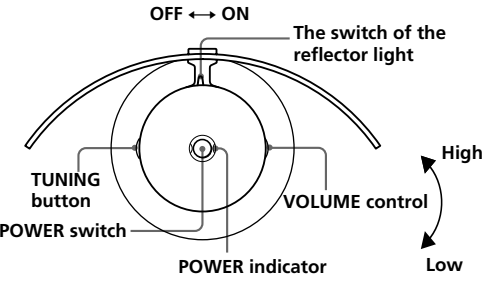


- Notes**
  - It takes about 28 hours to fully charge an empty battery.
  - Charge the rechargeable battery within a temperature of 0 °C to 35 °C.
  - If you turn on the speaker system while charging the battery, battery charging stops and the CHARGE indicator turns off. You can use the speaker system by the power from the AC adaptor.
  - The duration time of the rechargeable battery is about 4 hours. If the light of the reflector becomes weak, it means the rechargeable battery is low. So, turn off the speaker system and charge the battery.
  - Even after battery charging is finished, the CHARGE indicator always lights up.
  - The life of the built-in rechargeable battery is about 3 years. But it differs depending on operating conditions.
  - Use only the supplied AC power adaptor. Do not use any other AC power adaptor.

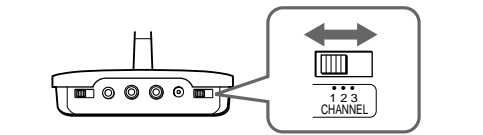
### Operating the system

## Listening to a programme

Before using the speaker system, charge the built-in rechargeable battery first. Turn down the volume of the speaker system before playing back a programme on the connected audio/video equipment.



- 1 First turn on the audio/video equipment and start playing. The power indicator of the transmitter will light up.
- 2 Turn on the speaker system. The power indicator of the speaker system will light in red.
- 3 Select the radio frequency with the CHANNEL selector.



- 4 Turn up the VOL to a moderate level with the VOL control. Press the TUNING button briefly for automatic tuning of the speaker system. If you do not receive a clear audio signal, press it again.

### Sending RF signals from the Transmitter

The transmitter starts sending the RF signals automatically, when it detects audio signals from the equipment connected.

If it does not detect an audio signal for more than approximately four minutes, the transmitter will stop sending RF signals, and the power indicator turns off.

When the transmitter receives an audio signal again, it starts sending the RF signals, and the power indicator will light in red again.

If the audio signal is very weak, the transmitter does not send RF signals. If the transmitter is connected to a headphone jack, make sure the volume of the equipment connected is set to 5 – 6 or higher.

You may not hear the beginning of the sound from the speaker system until the transmitter starts sending the RF signals after detecting an audio signal.

### Using the Built-in Rechargeable Batteries

The built-in rechargeable batteries allow you to use the unit anywhere.

Remove the supplied AC power adaptor from the DC IN jack of the unit to use the built-in rechargeable batteries.

### To use the illumination of the reflector

Turn on the switch of the reflector light.

- Notes**
  - If a hissing noise is heard, move it closer to the transmitter.
  - If you turn up the volume of the speaker system too high, the light of the reflector may flicker. But this is not a malfunction.
  - If you hold the aerial of the transmitter with your hand, noise may occur. But this is not a malfunction.

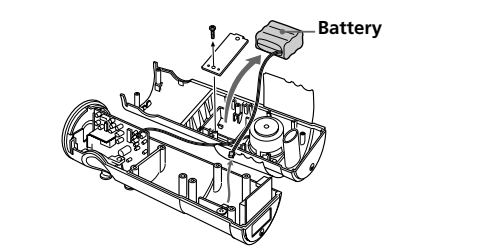
## Disposing of the speaker system

Be sure to remove the built-in rechargeable batteries from the speaker system before you dispose of the speaker system.

- 1 Remove 13 screws from the speaker system using a cross-point screw driver as illustrated below.



- 2 Open the cabinet of the speaker system and remove the one screw to remove the rechargeable battery as illustrated.



### Additional information

## Precautions

- When the transmitter is not to be used for a long period of time, disconnect the AC power adaptor from the AC outlet holding the plug. Do not pull on the cord.

### Notes on the location you set the speaker system

- Do not leave the wireless speaker system in a location subject to:
  - Direct sunlight or extremely high temperature such as near a heater or in a car with its windows closed.
  - High humidity such as in a bathroom.
  - Excessive dust or sandy places.
  - The speaker system is magnetically shielded, but do not put a recorded tape, watch, cash card or floppy disk in front of the speaker system.
- Set up the speaker system on a flat surface.
- Depending on where you set the speaker system, it may fall down. Do not leave valuables near the speaker system.

### Notes on charging the battery

- When you charge the rechargeable battery, use the supplied AC adaptor only.
- The charging time differs depending on usage conditions of the battery.
- When you use the battery for the first time or the battery is not to be used for a long time, the battery duration time may become shorter than the usual duration time. However, after you charge the battery several times, the battery duration time returns to its normal condition.
- If the battery duration time becomes half of its normal time even after the battery is charged fully, the battery is worn out. In this case, consult your nearest Sony dealer.

### Notes on using the speaker system

- Do not disassemble the speaker unit, built-in amplifier or cabinet.
- Do not insert an object into the jack. Doing so may cause a malfunction.
- Keep the volume at a moderate level to prevent distortion.
- Do not carry the speaker unit by its reflector. If you do so, the speaker system may detach from the reflector.

### Note on cleaning

Clean the cabinet of the speaker system with a soft cloth slightly moistened with water or a mild detergent solution. Do not use any type of abrasive pad, scouring powder or solvent such as alcohol or benzene as it may mar the finish of the cabinet.

### When the colour of your monitor screen becomes irregular

Because this speaker system is magnetically shielded, you can set it up near a monitor. But depending on the model of the monitor, colour irregularity may occur.

### To correct the colour irregular

Turn off the monitor, and then turn it on again after 15 to 30 minutes.

### If colour irregularity remains after performing the above

- Separate the monitor and the speaker system.
- Make sure that no magnetic object, such as may be attached to a door of shelf, healthcare device or toys, etc., is located near the speaker system.

If you have any questions or problems concerning the system that are not covered in this manual, please consult your nearest Sony dealer.

Be sure to bring the speaker system and the transmitter to the Sony dealer when requiring repair work.

## Troubleshooting

### No sound/Muffled sound

- ➔ Check the connection of the audio/video equipment.
- ➔ Check that the audio/video equipment is turned on.
- ➔ Turn up the volume on the connected audio/video equipment, if the transmitter is connected to the headphones jack.
- ➔ Change the radio frequency with the CHANNEL selector on the transmitter, then press the TUNING button again.
- ➔ The speaker system's POWER indicator light is weak or turned off.
  - Charge the built-in rechargeable battery or if the POWER indicator is still off after charging the built-in rechargeable battery, take the speaker system to a Sony dealer for replacement of the rechargeable battery.
- ➔ If you connect the transmitter to the LINE OUT or REC OUT jack of an audio reproducer, make sure that the NOISE FILTER switch is set to OFF.
- ➔ Make sure that the NOISE FILTER switch is set to either ON or OFF (If the switch gets stuck between ON and OFF, the sound will be cut off).

### Distortion

- ➔ If the transmitter is connected to the headphones jack, turn down the volume of the connected audio/video equipment. If the connected audio/video equipment has bass boost function, set its function to OFF.
- ➔ If the connected audio/video equipment has a LINE OUT jack, connect its LINE OUT jack.
- ➔ Change the radio frequency with the CHANNEL selector on the transmitter.
- ➔ The speaker system's POWER indicator light is weak or turned off.
  - Charge the built-in rechargeable battery or if the POWER indicator is still off after charging the built-in rechargeable battery, take the speaker system to a Sony dealer for replacement of the rechargeable battery.
- ➔ If you connect the transmitter to LINE OUT or REC OUT jack of an audio reproducer, make sure that the NOISE FILTER switch is set to OFF.

### Loud background noise

- ➔ Move closer to the transmitter. As you move away from the transmitter, more noise is likely to be heard.
- ➔ If the transmitter is connected to the headphones jack, turn up the volume of the connected audio/video equipment.
- ➔ Change the radio frequency with the CHANNEL selector on the transmitter, then press the TUNING button again.
- ➔ The speaker system's POWER indicator light is weak or turned off.
  - Charge the built-in rechargeable battery or if the POWER indicator is still off after charging the built-in rechargeable battery, take the speaker system to a Sony dealer for replacement of the rechargeable battery.
- ➔ If you connect the transmitter to the LINE OUT or REC OUT jack of an audio reproducer, make sure that the NOISE FILTER switch is set to OFF.

### The battery duration time is short

- ➔ If you use the battery under the temperature lower than 0 °C, this is not a malfunction.
- ➔ The battery life may end. If the battery duration time becomes half of its normal time even after the battery is charged fully, consult your nearest Sony dealer

## Specifications

| General   |   |
|---|---|
| Carrier frequency   | 863.5 – 864.5 MHz   |
| Channel Modulation  | Ch1, Ch2, Ch3 FM stereo   |
| Transmitter   |   |
| Power source  | DC 9 V: supplied AC power adaptor (UK model: AC-S901) (European model: AC-S9010) phono jacks/stereo mini jack       |
| Audio input Input impedance   | 33 kΩ/51 Ω switchable   |
| Dimensions  | Approx. 136 × 100 × 136 mm (6 × 4 1/4 × 6 in.) (w/h/d)  |
| Mass  | Approx. 146 g (5.2 oz.)   |
| Speaker system  |   |
| Speaker system  | SRS-RF80RK, SRS-RF80R   |
| Enclosure type  | Bass reflex   |
| Speaker units   | tweeter: 30 mm × 2<br>woofer: 57 mm × 1   |
| Power source  | DC 9 V: supplied AC adaptor (UK model: AC-S911) (European model: AC-S906) 4 W (while using the supplied AC adaptor) |
| Rated output  | Approx. 234 × 300 × 126 mm (9 1/4 × 11 7/8 × 5 in.) (w/h/d)   |
| Dimensions  | Approx. 905 g (31.9 oz.) incl. built-in rechargeable battery  |
| Mass  |   |
| Built-in Ni-Cd rechargeable battery                                   |   |
| Voltage   | 7.2 V   |
| Capacity  | 700 mAh   |
| Duration time   | Approx. 4 hours (with the 10 mW reflector light OFF)  |
| Charging time   | Approx. 28 hours (from fully discharged to fully charged)   |
| Supplied accessory  |   |
| The transmitter (SRS-RF80RK only)                                     |   |
| AC adaptor (2 for SRS-RF80RK) (1 for SRS-RF80R)                       |   |
| Connecting cord phono plug-stereo miniplug (1m) (1) (SRS-RF80RK only) |   |
| Operating instructions (1)  |   |
| Optional accessory  |   |
| Plug adaptor  | PC-236MS (stereo mini jack ↔ monaural mini plug)  |

Design and specifications are subject to change without notice.

## AVERTISSEMENT

**Pour éviter tout risque d'incendie ou d'électrocution, ne pas exposer cet appareil à la pluie ou à l'humidité.**

**Pour prévenir tout risque d'électrocution, n'ouvrez jamais le coffret. Adressez-vous à un personnel qualifié uniquement pour toute intervention sur l'appareil.**

Pour prévenir tout risque d'incendie, ne couvrez pas les orifices d'aération de l'appareil avec des journaux, nappes, rideaux, etc. Et ne placez pas de bougies allumées sur l'appareil.

Pour prévenir tout risque d'incendie ou d'électrocution, ne posez aucun objet rempli de liquide, comme un vase, sur l'appareil.

N'installez pas l'appareil dans un espace confiné comme dans une bibliothèque ou un meuble encastré.

### AVERTISSEMENT

La plaque signalétique indiquant la tension et les autres paramètres de fonctionnement est placée sur la partie inférieure externe de l'appareil.

## CE

Par la présente, Sony Corp. déclare que ce produit est conforme aux exigences essentielles et aux autres dispositions pertinentes de la directive européenne 1999/5/CE.

Cet équipement est conforme aux exigences de la directive 1999/5/EC relative aux radios et télécommunications (Radio and Telecommunications Terminal Equipment Directive).

Ce produit est conçu pour être utilisé dans les pays suivants.

Versions CEK : Royaume-Uni
Version CED : Allemagne, Suède, Danemark, Finlande, Norvège, Belgique, Suisse, Autriche, Pays-Bas, France, Portugal

Pour connaître la version que vous utilisez, veuillez vous reporter au code barre situé sur la partie supérieure de la boîte.

## Bienvenue !

Nous vous remercions d'avoir fait l'acquisition du système d'enceinte stéréo sans fil SRS-RF80RK / RF80R de Sony. Avant de faire fonctionner cet appareil, lisez attentivement le présent mode d'emploi et conservez-le pour toute référence ultérieure.

Cet appareil offre, entre autres, les caractéristiques suivantes :

- Système sans fil vous permettant d'utiliser votre système sans fils d'enceinte encombrants.
- Longue portée de transmission des signaux allant jusqu'à environ 75 m (246 pi).
- Options de 3 canaux de transmission permettant une réception optimale des signaux.
- Fonction de syntonisation automatique à l'enceinte.
- Réflecteur fixé au système d'enceinte offrant une reproduction sonore haute fidélité.
- Construction stéréo à boîtier unique offrant un large champ sonore.
- Deux possibilités d'alimentation : avec l'adaptateur CA fourni ou la batterie rechargeable intégrée.
- Conception novatrice et originale avec éclairage bleu, un design élégant qui convient bien au décor de n'importe quelle pièce.

## Remarques sur la qualité de transmission

Comme le système de cet appareil utilise des signaux de très haute fréquence dans la bande des 800 MHz, l'environnement de l'appareil peut entraîner une détérioration de la qualité de transmission. Les exemples suivants illustrent les situations pouvant réduire la plage de transmission et perturber la réception.

- Utilisation à l'intérieur d'un bâtiment à structure en acier.
- Utilisation dans des pièces contenant de nombreux classeurs ou autres éléments en acier.
- Utilisation à proximité d'un grand nombre d'appareils électriques générant des parasites électromagnétiques.
- Installation du transmetteur sur un instrument métallique.
- À proximité d'une route.
- Parasites ou interférences autour de l'appareil, provenant d'émetteurs-récepteurs de camions ou d'autres appareils.
- Parasites ou interférences autour de l'appareil, provenant de systèmes de communication sans fil installés le long des routes.
- Installation du transmetteur directement sur le sol. Il est recommandé d'installer le transmetteur en hauteur, par exemple sur un bureau.

### Préparatifs

## Déballage

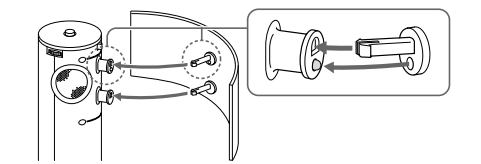
Vérifiez que vous disposez de tous les éléments suivants :

- Système d'enceinte
- Transmetteur (SRS-RF80RK uniquement)
- Adaptateur CA (2 pour le SRS-RF80RK) ou (1 pour le SRS-RF80R)
- Câble de liaison (prises phono ↔ mini-fiche stéréo), 1 m (SRS-RF80RK uniquement)

## Raccordement du système

**Raccordement du réflecteur fourni au système d'enceinte**

Insérez les fiches jusqu'à ce qu'elles soient correctement enfichées, tel qu'illustré.

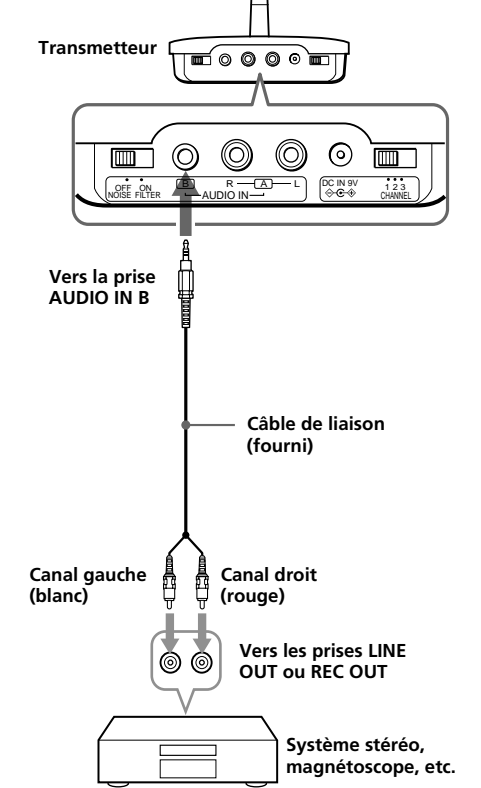


**Raccordement du transmetteur à un appareil audio ou vidéo**

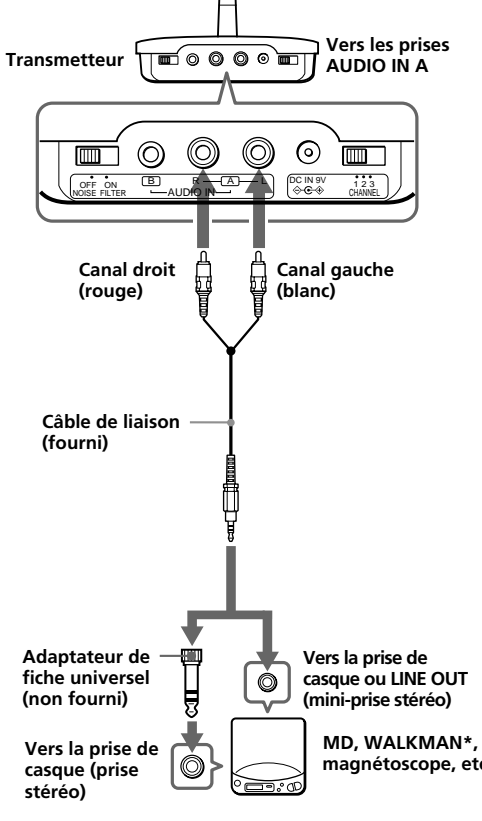
**Pour les propriétaires du SRS-RF80R**
Vous pouvez utiliser le transmetteur fourni soit avec le MDR-RF815RK, soit avec le MDR-RF845RK. Si vous avez déjà installé le transmetteur, il n'est pas nécessaire d'effectuer le raccordement suivant. Cependant, vous ne pouvez pas utiliser un transmetteur fourni avec un système de casque d'écoute sans fil d'un modèle autre que ceux cités ci-dessus.

**Pour les propriétaires du SRS-RF80RK**
Installez le transmetteur en effectuant les étapes suivantes. Effectuez les raccordements selon le type de prise de l'appareil audio ou vidéo auquel vous souhaitez raccorder le transmetteur.

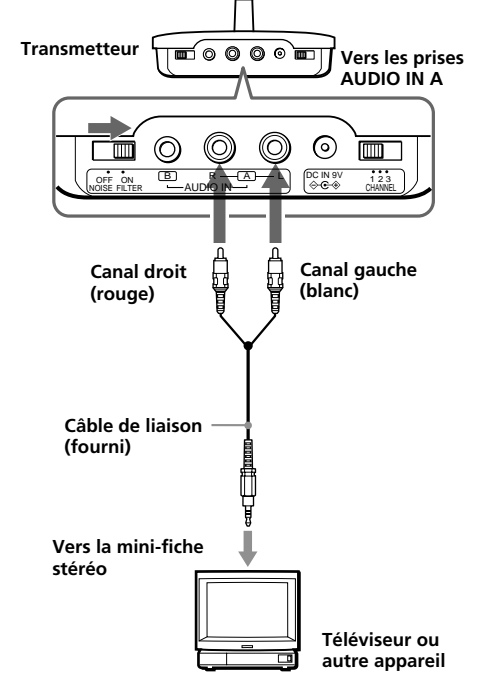
Ⓐ Raccordement à une prise LINE OUT ou REC OUT



ⓑ Raccordement à une prise de casque d'écoute



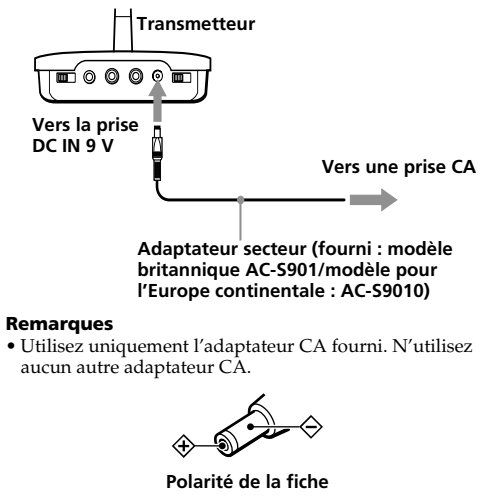
ⓒ Raccordement d'un téléviseur ou d'un autre appareil.
Si des parasites sont audibles lorsque le transmetteur est relié à la prise de casque de votre téléviseur ou magnétoscope, réglez le commutateur NOISE FILTER à ON.



**Remarques**

- Si vous raccordez le transmetteur à une prise LINE OUT ou REC OUT, ne réglez pas le commutateur NOISE FILTER à ON, sinon le volume sera limité.
- Le commutateur NOISE FILTER n'agit sur le son que dans les cas où le raccordement ⓐ ou ⓑ est utilisé. Dans les cas où le raccordement ⓐ ou ⓑ est utilisé, il n'a aucun effet.
- Placé près d'un téléviseur, le transmetteur risque de subir des interférences. Le cas échéant, éloignez-le du téléviseur.

**Raccordement du transmetteur à une prise de courant à l'aide de l'adaptateur CA fourni.**



- Lorsque vous raccordez directement le câble de liaison à une prise de casque, le signal audio n'est pas émis par le canal droit. Dans ce cas, utilisez l'adaptateur de fiche PC-236MS vendu séparément.
- Si l'appareil raccoré est équipé de la fonction AVLS (système de limitation automatique du volume), désactivez cette fonction lorsque vous utilisez le transmetteur. Sinon, vous devrez augmenter le volume du système d'enceinte, ce qui pourrait engendrer des parasites.
- Si l'appareil raccoré est équipé de la fonction BASS BOOST ou MEGA BASS (amplification des graves), désactivez cette fonction lorsque vous utilisez le transmetteur. Sinon, le son provenant du système d'enceinte risque d'être déformé.
- N'installez pas le transmetteur près d'une lampe fluorescente, etc. lorsque vous utilisez le système.

\* WALKMAN est une marque déposée de Sony Corporation.

**Portée du transmetteur**

La portée optimale du transmetteur est de 75 m (246 pi) environ sans que le système ne capte d'interférences. Cependant, cette distance peut varier selon l'environnement de l'appareil. Si le système capte des parasites alors qu'il est utilisé dans la zone définie ci-dessus, rapprochez le transmetteur du système d'enceinte ou sélectionnez un autre canal.

**Remarques**

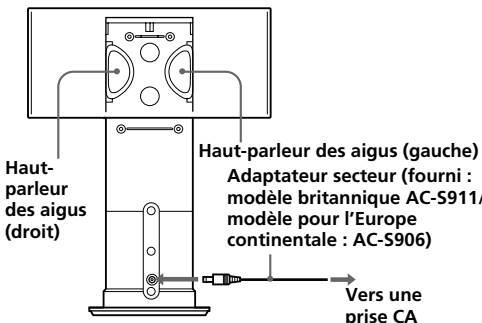
- Quand vous utilisez le système d'enceinte dans la zone de couverture du transmetteur, la direction du transmetteur par rapport à l'auditeur n'importe pas.
- Dans la zone de réception des signaux, il existe cependant certains endroits (zones de silence) où la réception des signaux RF est impossible. Il s'agit d'une caractéristique inhérente aux signaux RF et n'indique pas un problème de fonctionnement. Il est possible de modifier l'emplacement de la zone de silence en déplaçant légèrement le transmetteur.

## Recharge de la batterie du système d'enceinte

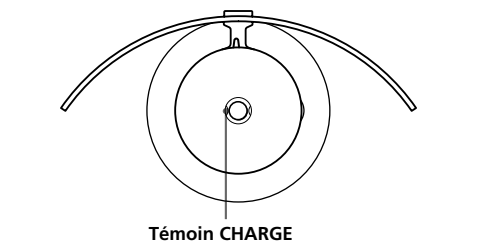
**Première utilisation du système d'enceinte**

Lorsque vous utilisez le système pour la première fois, chargez la batterie tel qu'indiqué ci-dessous.

1 Raccordez le système d'enceinte à une source d'alimentation.



2 Le témoin CHARGE du système d'enceinte s'allume pour indiquer que la batterie est en cours de charge.



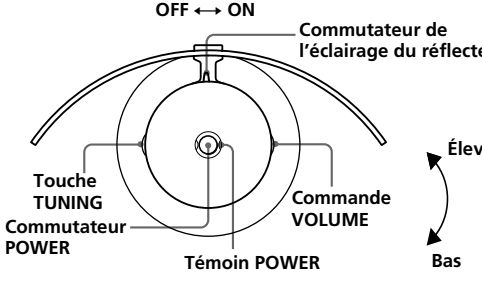
**Remarques**

- Il faut environ 28 heures pour charger complètement une batterie vide.
- Rechargez la batterie rechargeable à une température supérieure à 0° et inférieure à 35°.
- Si vous mettez le système d'enceinte sous tension pendant la recharge de la batterie, la recharge de la batterie s'arrête et le témoin CHARGE s'éteint. Vous pouvez alimenter le système d'enceinte avec l'adaptateur CA.
- L'autonomie de la batterie rechargeable est d'environ quatre heures. L'affaiblissement de l'éclairage du réflecteur signifie que la batterie rechargeable est faible. Mettez alors le système d'enceinte hors tension et rechargez la batterie.
- Le témoin CHARGE reste allumé même lorsque la recharge de la batterie est terminée.
- La durée de vie de la batterie rechargeable intégrée est d'environ trois ans, mais elle peut être plus ou moins longue selon les conditions d'utilisation.
- Utilisez uniquement l'adaptateur CA fourni. N'utilisez aucun autre adaptateur CA.

### Utilisation du système

## Écoute d'un programme

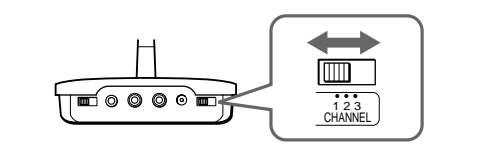
Avant d'utiliser le système d'enceinte, rechargez la batterie rechargeable intégrée. Baissez le volume du système d'enceinte avant de commencer à écouter un programme à partir de l'appareil audio ou vidéo raccoré.



1 Mettez d'abord l'appareil audio ou vidéo sous tension, puis lancez la lecture. Le témoin d'alimentation du transmetteur s'allume.

2 Mettez le système d'enceinte sous tension. L'indicateur d'alimentation du système d'enceinte s'allume en rouge.

3 Sélectionnez la fréquence radio à l'aide du commutateur CHANNEL.



4 Augmentez le volume avec la commande VOL tout en le maintenant à un niveau raisonnable.

Appuyez brièvement sur la touche TUNING pour effectuer une syntonisation automatique du système d'enceinte.

Si le signal audio capté n'est pas clair, appuyez de nouveau sur cette touche.

**Émission des signaux RF par le transmetteur**

Le transmetteur se met automatiquement à émettre des signaux RF quand il détecte des signaux audio provenant de l'appareil raccoré.

Lorsque le transmetteur ne reçoit aucun signal audio pendant au moins quatre minutes, le cesse d'émettre des signaux RF et l'indicateur d'alimentation s'éteint.

Lorsque le transmetteur reçoit de nouveau des signaux audio, il recommence à émettre des signaux RF et l'indicateur d'alimentation s'allume à nouveau en rouge.

Si le signal audio est très faible, le transmetteur n'émet pas de signaux RF. Si le transmetteur est raccoré à une prise de casque, réglez le volume de l'appareil raccoré sur 5 ou 6 ou plus. Il se peut que vous ne puissiez pas entendre les premiers sons émis par le système d'enceinte, jusqu'à ce que le transmetteur commence à émettre des signaux RF après la détection d'un signal.

**Remarque**
Si le transmetteur est raccoré à la prise de casque de l'appareil source, réglez le volume de cet appareil au niveau le plus élevé possible sans provoquer une distorsion du signal audio.

**Utilisation des batteries rechargeables intégrées**

Des batteries rechargeables intégrées vous permettent d'utiliser l'appareil n'importe où. Avant d'utiliser les batteries rechargeables intégrées, veillez à ôter de la prise DC IN de l'appareil l'adaptateur secteur fourni.

**Activation de l'éclairage du réflecteur**
Placez le commutateur de l'éclairage du réflecteur sur ON.

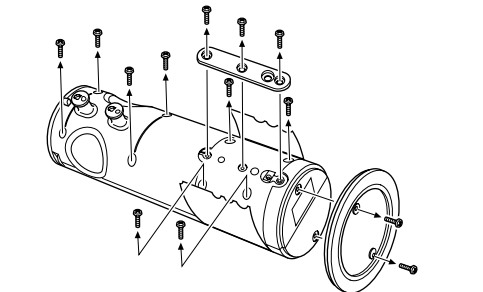
**Remarques**

- Si un sifflement se fait entendre, rapprochez le réflecteur du transmetteur.
- Si vous augmentez trop le volume du système d'enceinte, l'éclairage du réflecteur peut vaciller, mais ceci n'a rien d'anormal.
- Si vous tenez l'antenne du transmetteur à la main, des parasites risquent de se produire, mais ceci n'a rien d'anormal.

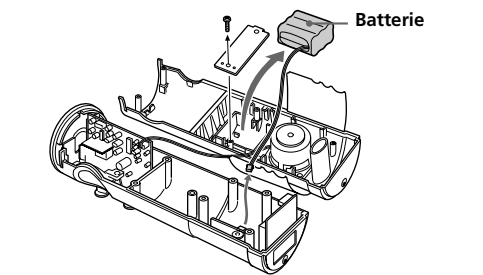
## Élimination du système d'enceinte

Assurez-vous d'enlever la batterie rechargeable intégrée du système d'enceinte avant de vous en débarrasser.

1 Retirez les 13 vis du système d'enceinte à l'aide d'un tournevis cruciforme, tel qu'illustré ci-dessous.



2 Ouvrez le boîtier du système d'enceinte et retirez la vis tenant la batterie rechargeable en place, tel qu'illustré ci-dessous.



### Informations complémentaires

## Précautions

- Si vous ne comptez pas utiliser le transmetteur pendant une longue période, débranchez l'adaptateur CA de la prise murale en tirant sur la fiche et non pas sur le cordon.

**Remarques sur l'emplacement du système d'enceinte**

- Ne placez pas le système d'enceinte sans fil dans un endroit :
  - soumis aux rayons directs du soleil ou à des températures très élevées, par exemple à côté d'un appareil de chauffage ou dans une voiture dont les vitres sont relevées ;
  - soumis à une forte humidité, comme par exemple dans une salle de bain ;
  - très poussiéreux ou sablonneux.
– Le système d'enceinte est doté d'un blindage magnétique. Évitez cependant de placer une cassette enregistrée, une montre, une carte de crédit ou de débit ou une disquette devant le système d'enceinte.
- Installez le système d'enceinte sur une surface plane.
- Selon l'endroit où vous installez le système d'enceinte, il est possible qu'il tombe. Ne laissez pas d'objets de valeur à proximité du système d'enceinte.

**Remarques sur la charge de la batterie**

- Lorsque vous rechargez la batterie rechargeable, utilisez uniquement l'adaptateur CA fourni.
- La durée de charge varie selon les conditions d'utilisation de la batterie.
- Lors de la première utilisation de la batterie ou si la batterie n'a pas été utilisée pendant une longue période, son autonomie peut être plus courte que la normale. Cependant, après plusieurs cycles de recharge, l'autonomie de la batterie revient à la normale.
- Lorsque l'autonomie de la batterie devient deux fois plus courte que la normale, même lorsqu'elle a été rechargée complètement, cela signifie qu'elle est complètement usée. Dans ce cas, consultez votre détaillant Sony le plus proche.

**Remarques sur le système d'enceinte**

- Ne démontez pas l'enceinte, l'amplificateur intégré ni le boîtier.
- N'insérez pas d'autres objets que la fiche dans la prise. Ceci pourrait entraîner un problème de fonctionnement.
- Maintenez le volume à un niveau raisonnable afin d'éviter toute distorsion du son.
- Ne transportez pas l'enceinte en la tenant par le réflecteur. En effet, le système d'enceinte risque alors de se détacher du réflecteur.

**Remarque sur l'entretien**
Nettoyez le boîtier du système d'enceinte avec un chiffon doux légèrement humecté d'eau ou d'une solution détergente douce. N'utilisez pas de tampon abrasif, de poudre à récurer ou de solvant, tel que l'alcool ou la benzine qui risquent d'endommager le fini du boîtier.

**Si la couleur de l'écran du moniteur présente des irrégularités**

Étant donné que ce système d'enceinte est doté d'un blindage magnétique, vous pouvez l'installer à proximité d'un moniteur. Toutefois, selon le modèle du moniteur, les couleurs à l'écran peuvent devenir irrégulières.

**Pour corriger les irrégularités de couleur**
Mettez le moniteur hors tension, puis remettez-le sous tension après 15 à 30 minutes.

**Si les irrégularités de couleur persistent après l'opération ci-dessus**

- Eloignez le moniteur du système d'enceinte.
- Veillez à ne placer aucun objet magnétique à proximité du système d'enceinte, par exemple des objets aimantés pouvant être fixés à la porte d'un meuble, à un appareil de soins, à un jouet, etc.

Si vous avez des questions ou des problèmes au sujet du fonctionnement de cet appareil qui ne sont pas abordés dans ce manuel, consultez votre détaillant Sony le plus proche.

Lorsqu'une réparation doit être effectuée, rappeztez le système d'enceinte ainsi que le transmetteur à votre détaillant Sony.

## Guide de dépannage

**Pas de son/son étouffé**

- Vérifiez les raccordements de l'appareil audio ou vidéo.
- Assurez-vous que l'appareil audio ou vidéo est sous tension.
- Augmentez le volume de l'appareil audio ou vidéo raccoré, si le transmetteur est raccoré à la prise de casque.
- Modifiez la fréquence radio avec le commutateur CHANNEL du transmetteur, puis appuyez de nouveau sur la touche TUNING.
- L'indicateur POWER du système d'enceinte luit faiblement ou est éteint.
  - Rechargez la batterie rechargeable intégrée ou, si l'indicateur POWER ne s'allume toujours pas après la fin du cycle de charge, confiez votre système d'enceinte à un détaillant Sony afin de faire remplacer la batterie rechargeable.
- Si vous raccordez le transmetteur à la prise LINE OUT ou REC OUT d'un lecteur audio, assurez-vous que le commutateur NOISE FILTER est réglé sur OFF.
- Assurez-vous que le commutateur NOISE FILTER est réglé sur ON ou OFF (si le commutateur est bloqué entre ON et OFF, le son est interrompu).

**Distorsion**

- Si le transmetteur est raccoré à la prise de casque, baissez le volume de l'appareil audio ou vidéo raccoré. Si l'appareil audio ou vidéo raccoré est équipé d'une fonction d'amplification des graves, désactivez cette fonction.
- Si l'appareil audio ou vidéo raccoré est équipé d'une prise LINE OUT, raccordez cette prise LINE OUT.
- Modifiez la fréquence radio avec le commutateur CHANNEL du transmetteur.
- L'indicateur POWER du système d'enceinte luit faiblement ou est éteint.
  - Rechargez la batterie rechargeable intégrée ou, si l'indicateur POWER ne s'allume toujours pas après la fin du cycle de charge, confiez votre système d'enceinte à un détaillant Sony afin de remplacer la batterie rechargeable.
- Si vous raccordez le transmetteur à la prise LINE OUT ou REC OUT d'un lecteur audio, assurez-vous que le commutateur NOISE FILTER est réglé sur OFF.

**Bruit de fond important**

- Rapprochez-vous du transmetteur. Plus vous vous éloignez du transmetteur, plus le bruit de fond augmente.
- Si le transmetteur est raccoré à une prise de casque, augmentez le volume de l'appareil audio ou vidéo raccoré.
- Modifiez la fréquence radio avec le commutateur CHANNEL du transmetteur, puis appuyez de nouveau sur la touche TUNING.
- L'indicateur POWER du système d'enceinte luit faiblement ou est éteint.
  - Rechargez la batterie rechargeable intégrée ou, si l'indicateur POWER ne s'allume toujours pas après la fin du cycle de charge, confiez votre système d'enceinte à un détaillant Sony afin de remplacer la batterie rechargeable.
- Si vous raccordez le transmetteur à la prise LINE OUT ou REC OUT d'un lecteur audio, assurez-vous que le commutateur NOISE FILTER est réglé sur OFF.

**L'autonomie de la batterie est courte**

- Ce phénomène est normal si vous utilisez la batterie à une température inférieure à 0 °C.
- La fin de la durée de vie de la batterie peut être atteinte. Si l'autonomie de la batterie devient deux fois plus courte que la normale, même après une charge complète, consultez votre détaillant Sony le plus proche.

## Spécifications

**Généralités**

|                          |  |
|--------------------------|--|
| Fréquence de la porteuse | 863,5 – 864,5 MHz  |
| Canal                    | Ch1, Ch2, Ch3  |
| Modulation               | stéréo FM  |
| <b>Emetteur</b>          |  |
| Alimentation             | 9 VCC <span> </span> : adaptateur-secteur fourni (modèle pour le Royaume-Uni <span> </span> : AC-S901) |
| Entrée audio             | 9 VCC <span> </span> : adaptateur-secteur fourni (modèle pour l'Europe <span> </span> : AC-S9010)      |
| Impédance d'entrée       | 33 kΩ/51 Ω commutable  |
| Dimensions               | environ 136 × 100 × 136 mm (6 × 4 1/2 × 6 in.) (l/h/p)   |
| Poids                    | environ 146 g (5,2 oz.)  |

|  |  |
|--|--|
| <b>Enceintes SRS-RF80RK, SRS-RF80R</b> |  |
| Système acoustique                     | 2 voies protection antimagnétique  |
| Type d'enceinte                        | Bass Reflex  |
| Enceintes                              | aigus <span> </span> : 30 mm × 2 basses <span> </span> : 57 mm × 1                                     |
| Alimentation                           | 9 VCC <span> </span> : adaptateur-secteur fourni (modèle pour le Royaume-Uni <span> </span> : AC-S911) |
| Sortie nominale                        | 4 W (avec utilisation de l'adaptateur-secteur fourni)  |

|            |   |
|------------|---|
| Dimensions | environ 234 × 300 × 126 mm (9 1/4 × 11 7/8 × 5 in.) (l/h/p)   |
| Poids      | environ 905 g (31,9 oz.), pile rechargeable intégrée comprise |

|   |  |
|---|--|
| <b>Pile rechargeable Ni-Cd intégrée</b> |  |
| Tension                                 | 7,2 V  |
| Capacité                                | 700 mAh  |
| Durée                                   | environ 4 heures (avec le réflecteur de 10 mW éteint)              |
| Temps de charge                         | environ 28 heures (de complètement déchargé à complètement chargé) |

|  |  |
|--|--|
| <b>Accessoires fournis</b>   |  |
| Emetteur (SRS-RF80RK uniquement)   |  |
| Adaptateur-secteur (2 pour SRS-RF80RK / RF80R de Sony)                                 |  |
| Cordon d'alimentation fiche phono - mini fiche stéréo (1m) (1) (SRS-RF80RK uniquement) |  |
| Manuel opératoire (1)  |  |

**Accessoires facultatifs**

Fiche d'adaptation PC-236MS (mini prise stéréo ↔ mini fiche monaural)

La conception et les spécifications sont sujettes à modification sans préavis.