

## Specifications

Speaker	Woofer 20 cm, cone type
Maximum input power	350 watts
Rated input power	100 watts
Impedance	4 ohms
Sensitivity	87 dB/W/m
Frequency response	30 - 4,000 Hz
Mass	Approx. 2.7 kg per speaker

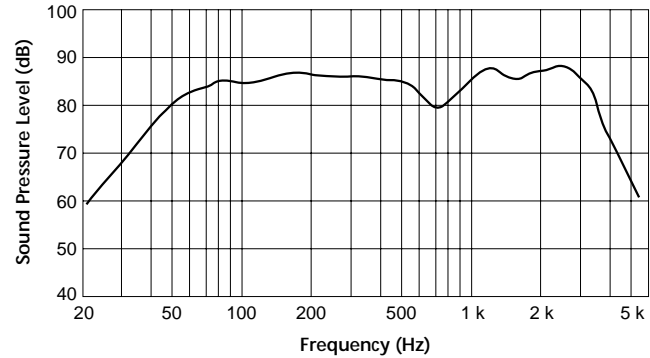
Supplied accessory      Parts for installation

## Thiele/small parameters

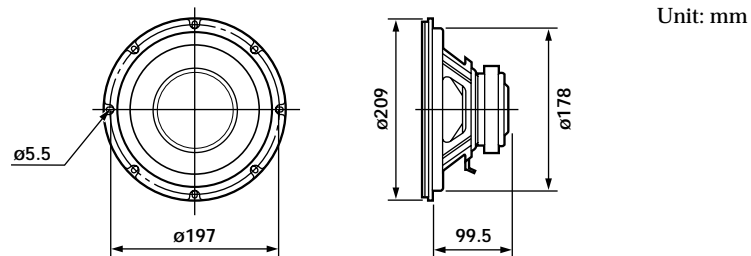
d (mm)	165	Vas (Lit.)	19.1
Sd (cm <sup>2</sup> )	214	Mms (g)	76.5
Rdc (ohm)	3.6	Lvc (mH)	0.7
Fs (Hz)	34.4	Xmax (mm)	4
Qts	0.85	BL (Tm)	7.4
Qes	1.03	Enclosure vol. (Net)	15 Lit.
Qms	4.98		

Recommended Enclosure : Sealed type

## Frequency response



## Dimensions



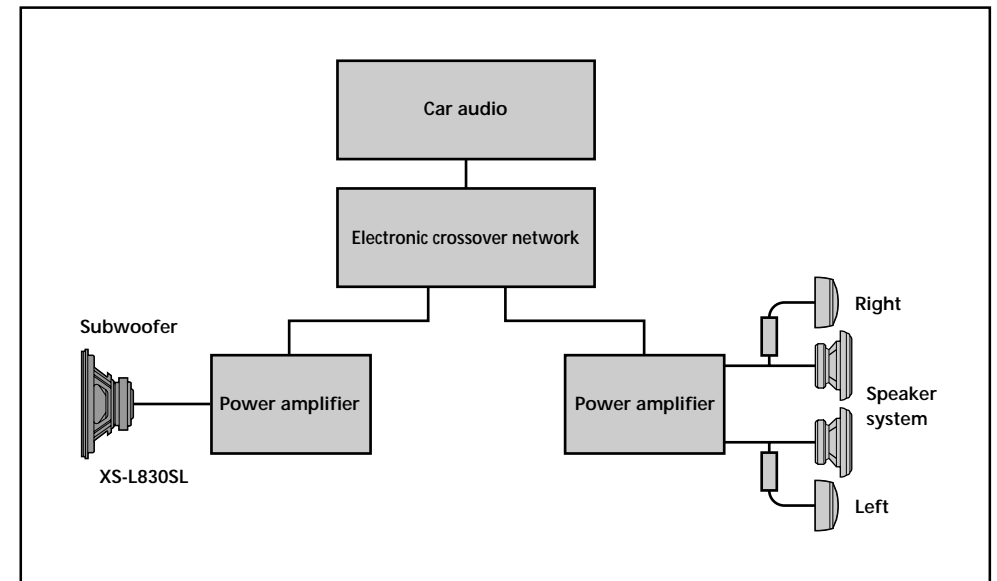
# Subwoofer

Installation/Connections

## XS-L830SL

Sony Corporation © 2000 Printed in TAIWAN, R.O.C.

## Connections

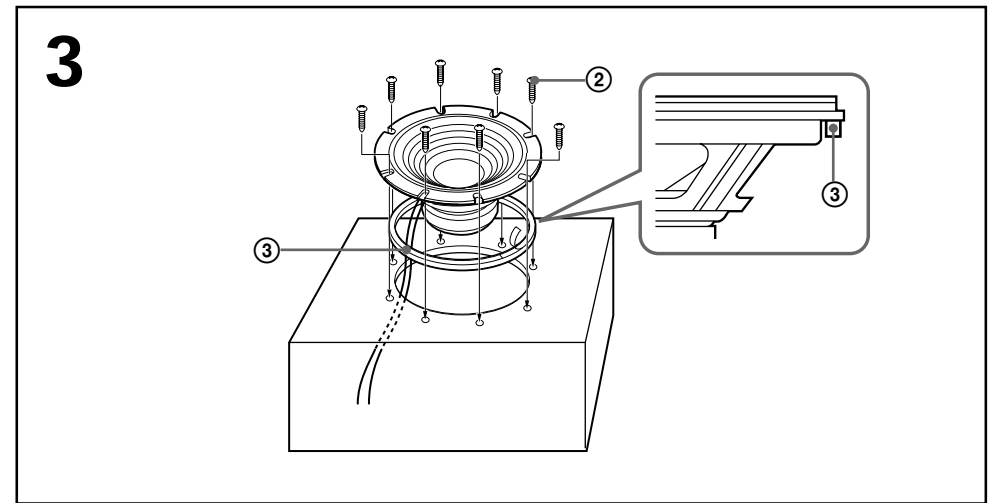
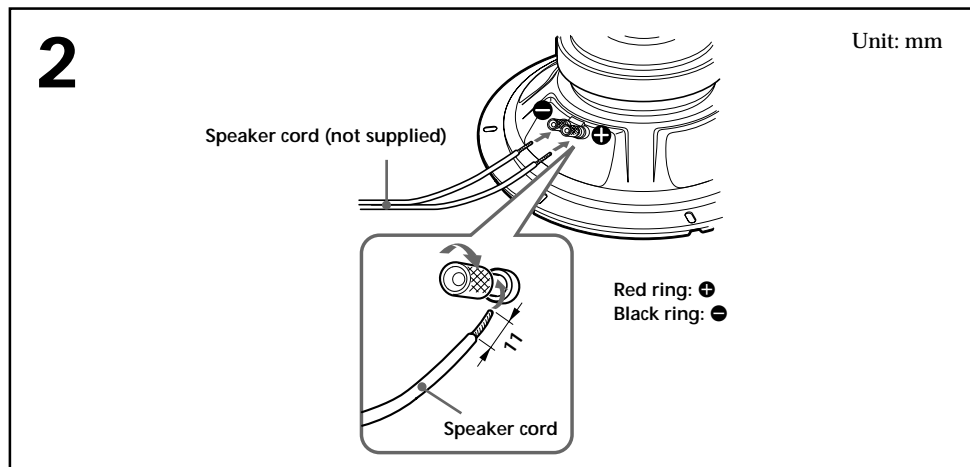
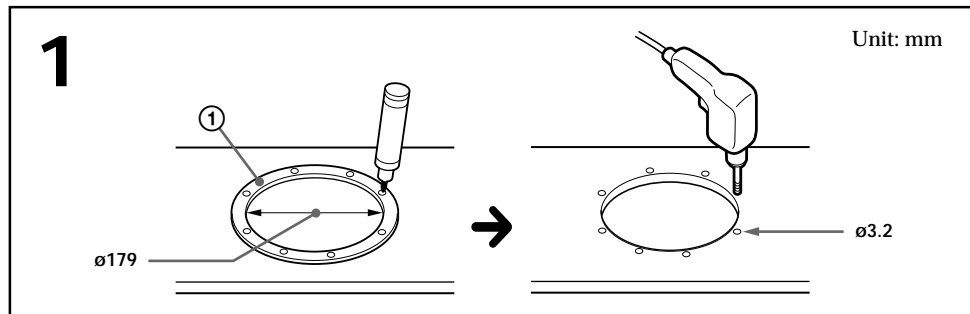
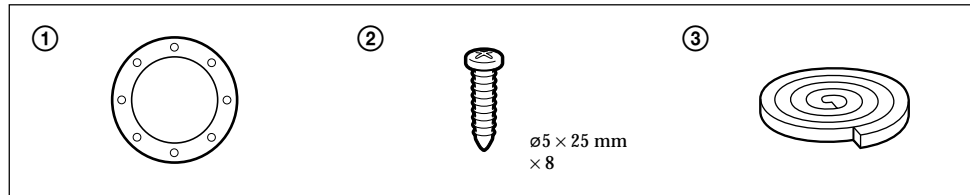


# Installation

## Precautions

- Be careful not to operate the speaker system with power exceeding its power handling capacity.
- Keep recorded tapes, watches, and credit cards, etc. with magnetic coding away from the speaker system to prevent damage caused by the magnets in the speakers.
- When installing the unit, be careful not to damage the diaphragm with your hand or tools.
- The subwoofer is heavy, so attach it firmly to a thick, solid baffle plate or metal board.

## Parts List



## Example

