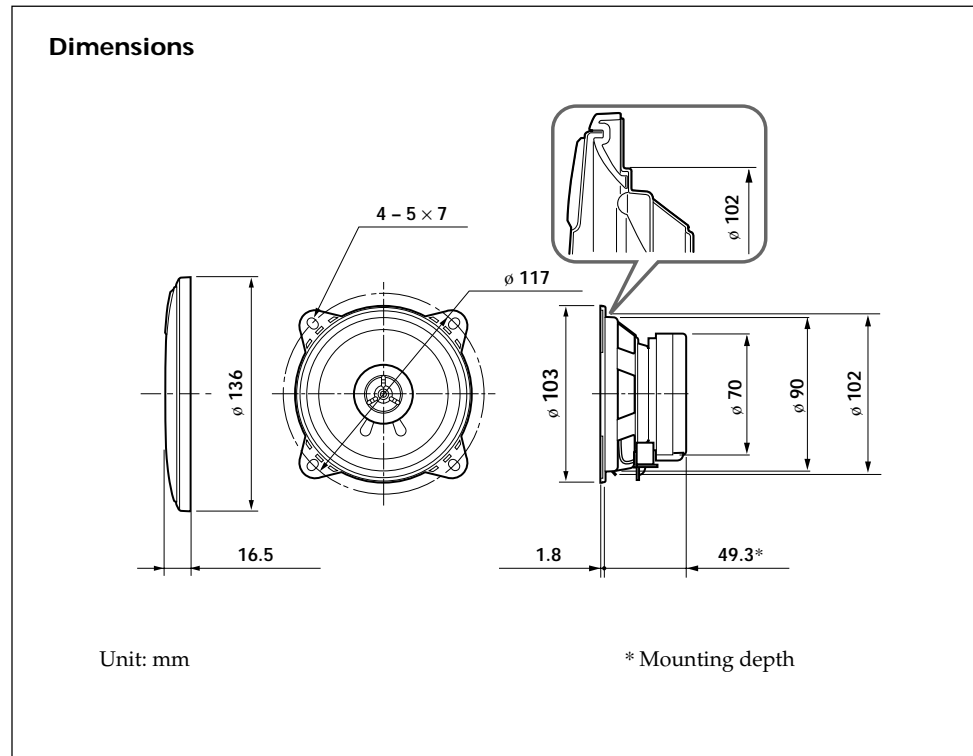


Specifications

Speaker	Coaxial 2-way: Woofer 10 cm, polypropylene cone type Tweeter 2.5 cm, PEI, balance dome type
Maximum input power	80 W
Rated input power	25 W
Impedance	4 ohms
Sensitivity	89 dB/W/m
Frequency response	45 – 30,000 Hz
Mass	Approx. 480 g per speaker

Design and specifications are subject to change without notice.



SONY

3-046-197-11 (1)

10cm Coaxial 2-way Speaker

Instructions

XS-F1020SL

Sony Corporation © 2000 Printed in China

Precautions

- Do not continuously drive the speaker system over the power handling capacity.
- Keep recorded tapes, watches, and personal credit cards using magnetic coding away from the speaker system to protect them from damage caused by the magnets in the speakers.

If you cannot find an appropriate mounting location, consult your car dealer or your nearest Sony dealer before mounting.

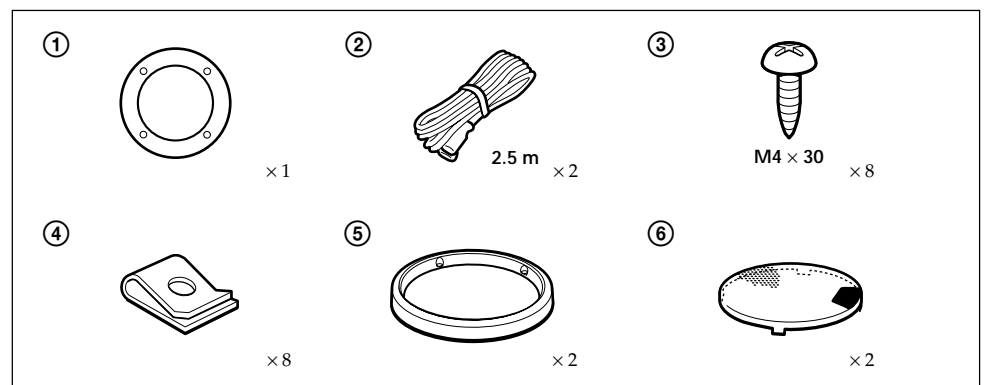
Mounting

Before Mounting

- A depth of at least 49.3 mm is required for mounting the woofer. Keep the following in mind when choosing a mounting location.
- A hole may already be provided in the metal frame of the front door.
- **Nothing should interfere with the speaker inside the door.**
- The speaker inside the door must not come into contact with the window when it is open.
- Be careful that speakers are out of the way of the window cranks, door handles, and arm rests.

If you cannot find an appropriate mounting location, check with your car dealer or consult the nearest Sony dealer.

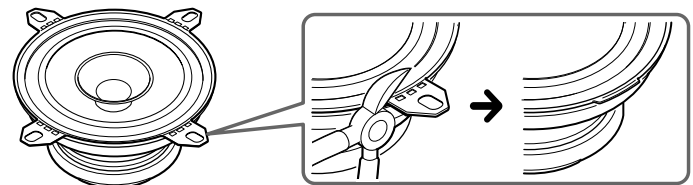
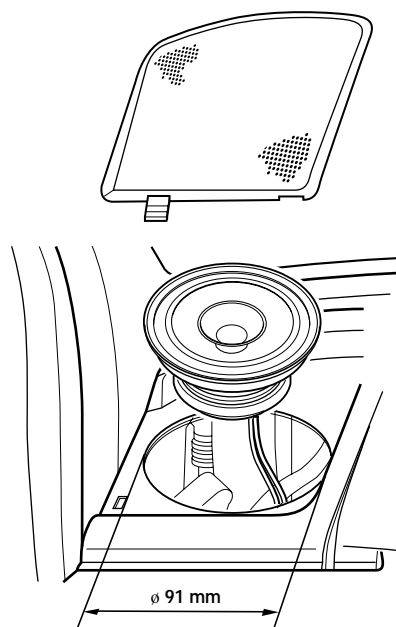
Parts List



Mounting example

<p>1 Mark the four bolt holes. Make them 3.3 mm* in diameter. * When using ④ = 5 mm</p>	<p>2 Remove the grille net.</p>
<p>3</p> <p>Black-striped cord</p> <p>* White cord — Left speaker Grey cord — Right speaker</p> <p>Power amplifier, etc.</p>	<p>4</p> <p>Speaker</p> <p>Door panel</p>
<p>5 Press and insert the edges of the grille net.</p>	<p>How to remove the grille net</p>

Flat mounting (installed flush with the surface of the dash)



This speaker can be made to fit almost any type of car by removing the mounting tabs. Use clippers or pliers, etc. to cut or snap the mounting tabs off so that it is even with the edge of the speaker frame as illustrated.

Notes
After removing the mounting tabs, handle the speaker frame with care, as the edges may be sharp.