

Specifications

Speaker	Coaxial 2-way: Woofers 16.5 cm, polypropylene cone type Tweeter 3 cm, PEI, balance dome type
Maximum input power	140 W
Rated input power	35 W
Impedance	4 ohms
Sensitivity	90 dB/W/m
Frequency response	35 - 30,000 Hz
Mass	Approx. 665 g per speaker

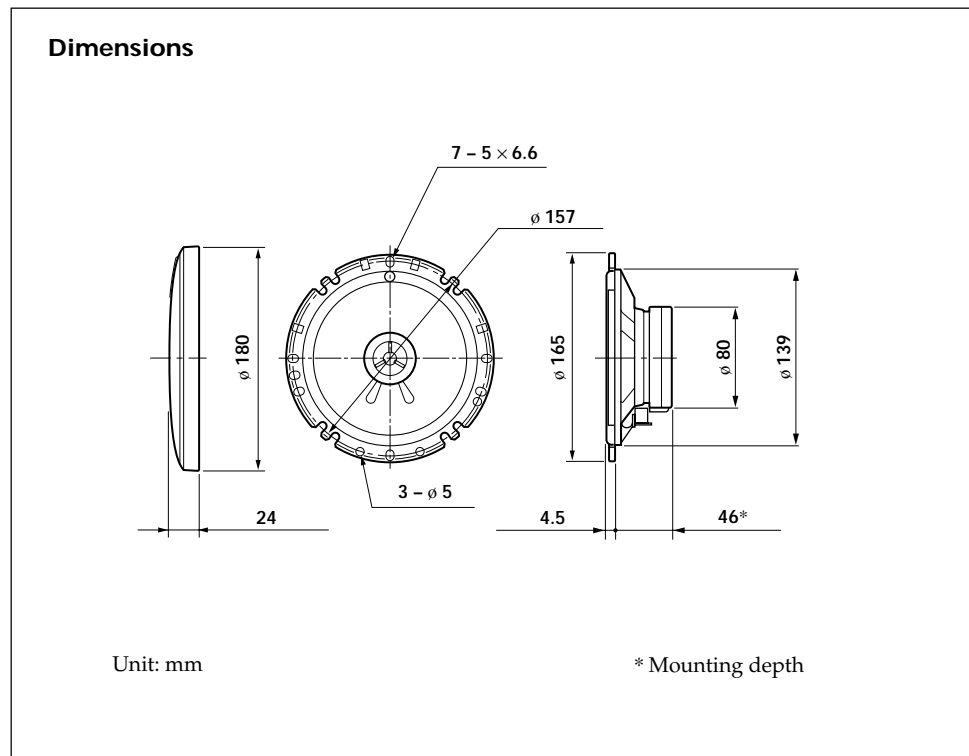
Design and specifications are subject to change without notice.

SONY®

3-046-195-11 (1)

16.5cm Coaxial 2-way Speaker

Instructions



XS-F1720SL

Sony Corporation © 2000 Printed in China

Precautions

- Do not continuously drive the speaker system over the power handling capacity.
- Keep recorded tapes, watches, and personal credit cards using magnetic coding away from the speaker system to protect them from damage caused by the magnets in the speakers.

If you cannot find an appropriate mounting location, consult your car dealer or your nearest Sony dealer before mounting.

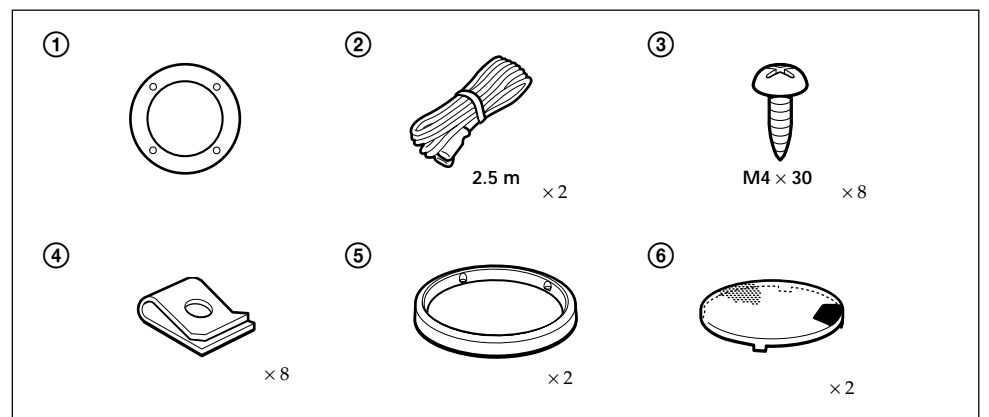
Mounting

Before Mounting

- A depth of at least 46 mm is required for mounting the woofer. Keep the following in mind when choosing a mounting location.
- A hole may already be provided in the metal frame of the front door.
- **Nothing should interfere with the speaker inside the door.**
- The speaker inside the door must not come into contact with the window when it is open.
- Be careful that speakers are out of the way of the window cranks, door handles, and arm rests.

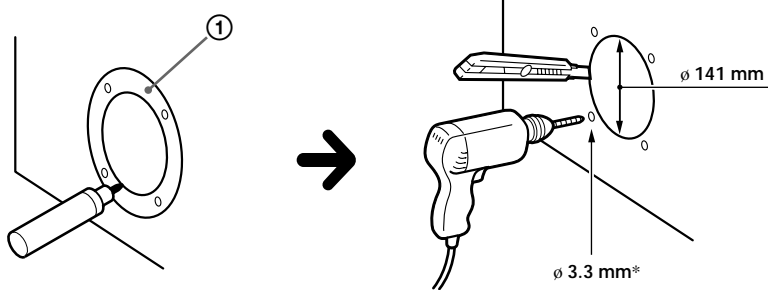
If you cannot find an appropriate mounting location, check with your car dealer or consult the nearest Sony dealer.

Parts List

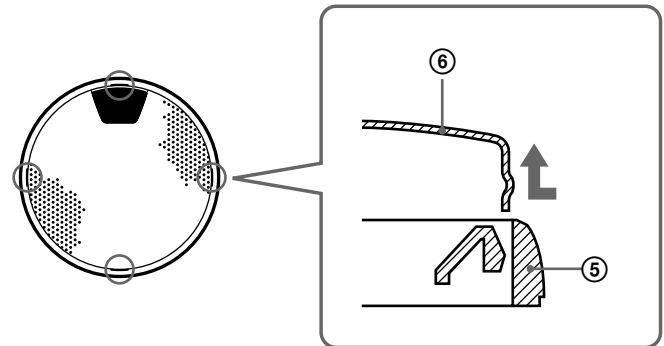


Mounting example

- 1** Mark the four bolt holes. Make them 3.3 mm* in diameter.
* When using ④ = 5 mm



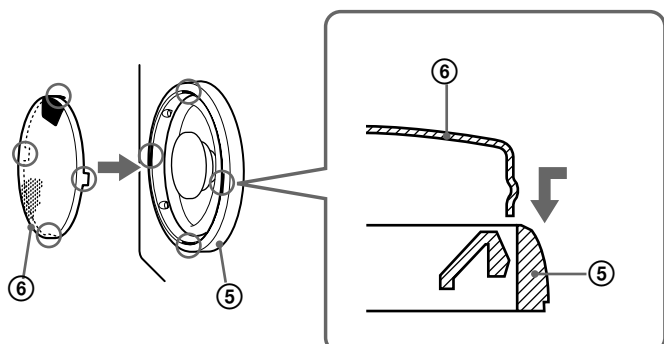
- 2** Remove the grille net.



- 3**
-
- Black-striped cord
- ②*
- * White cord — Left speaker
Grey cord — Right speaker
- Power amplifier, etc.

- 4**
-
- Speaker
- ③
- ④
- ⑤
- Door panel

- 5** Press and insert the edges of the grille net.



How to remove the grille net

