

Specifications

Speaker	Coaxial 2-way: Woofer 16 cm, polypropylene cone type Tweeter 3 cm, PEI, balance dome type
Maximum input power	140 W
Rated input power	35 W
Impedance	4 ohms
Sensitivity	90 dB/W/m
Frequency response	35 - 30,000 Hz
Mass	Approx. 675 g per speaker

Design and specifications are subject to change without notice.

AAA

Altavoz	Coaxial de 2 vías Graves: 16 cm, tipo cono de polipropileno Agudos: 3 cm, PEI, balanceado tipo cúpula
Potencia máxima de entrada	140 W
Potencia nominal	35 W
Impedancia	4 ohmios
Sensibilidad	90 dB/W/m
Respuesta en frecuencia	35 - 30.000 Hz
Peso	Aprox. 675 g por altavoz

Diseño y especificaciones sujetos a cambio sin previo aviso.

SONY®

3-044-367-11 (1)

16cm Coaxial 2-way Speaker

Instructions

AAA

XS-F1620

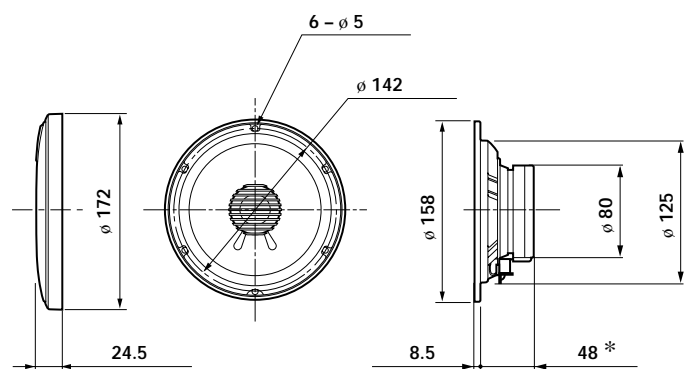
Sony Corporation © 2000 Printed in Japan

Dimensions

###

* Mounting depth

* ###



Unit: mm
###

Precautions

- Do not continuously drive the speaker system over the power handling capacity.
- Keep recorded tapes, watches, and personal credit cards using magnetic coding away from the speaker system to protect them from damage caused by the magnets in the speakers.

If you cannot find an appropriate mounting location, consult your car dealer or your nearest Sony dealer before mounting.

AAA

- Tenga cuidado de no activar el sistema de altavoces de forma continua con una potencia que sobrepase la potencia admisible.
- Mantenga alejados del sistema de altavoces las cintas grabadas, relojes o tarjetas de crédito con codificación magnética para evitar daños que posiblemente causaría el imán de los altavoces.

Si no puede encontrar un emplazamiento apropiado para el montaje, consulte al distribuidor de su automóvil o al proveedor de Sony más próximo.

Mounting /

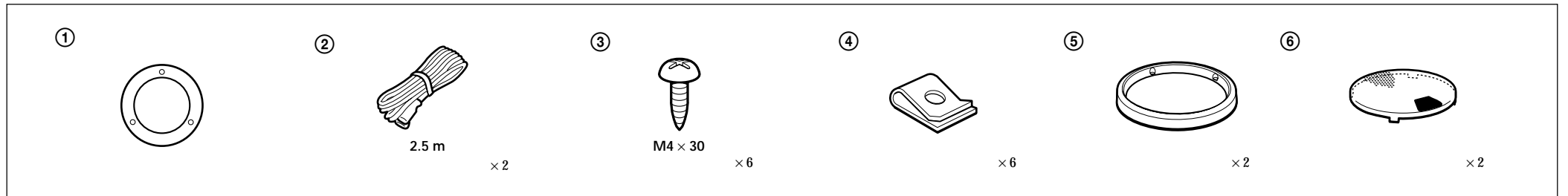
Before Mounting

- A depth of at least 48 mm is required for mounting the woofer. Keep the following in mind when choosing a mounting location.
- A hole may already be provided in the metal frame of the front door.
- **Nothing should interfere with the speaker inside the door.**
- The speaker inside the door must not come into contact with the window when it is open.
- Be careful that speakers are out of the way of the window cranks, door handles, and arm rests.

If you cannot find an appropriate mounting location, check with your car dealer or consult the nearest Sony dealer.

#####

Parts List /



Mounting example /

1

Mark the three bolt holes. Make them 3.3 mm* in diameter.

* = 5 mm

2

Remove the grill net.
###

3

Black-striped cord ###
* White cord — Left speaker
Gray cord — Right speaker
* ### — ###
—

Power amplifier, etc. ##

4

Speaker ###

Door panel ###

5

Press and insert the edges of the grill net.
###

How to remove the grill net

###