

FM Stereo/SW/MW/LW PLL Synthesized Receiver

Operating Instructions 使用说明书

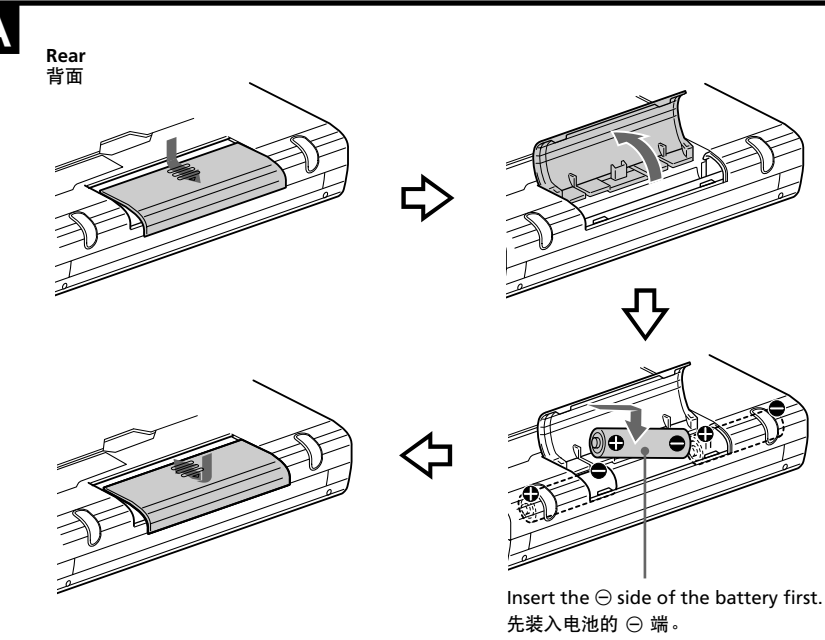
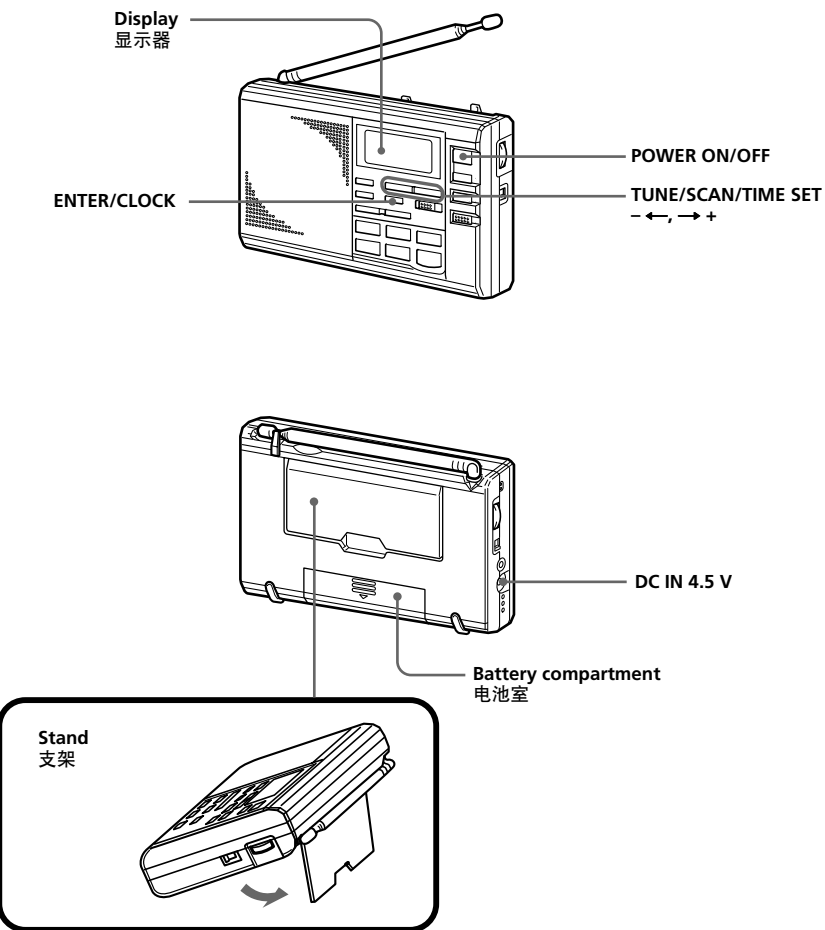
ICF-SW35



Printed on 100% recycled paper using VOC (Volatile Organic Compound)-free vegetable oil based ink.

© 2001 Sony Corporation Printed in China

http://www.sony.net/



* For details on the optional AC power adaptor, see "Specifications".

English

WARNING

To prevent fire or shock hazard, do not expose the unit to rain or moisture.

To avoid electrical shock, do not open the cabinet. Refer servicing to qualified personnel only.

Before You Begin

Thank you for choosing the Sony world band receiver! The world band receiver will give you many hours of reliable service and listening pleasure. Please read these instructions thoroughly before operating the world band receiver, and retain them in a handy place for future reference.

Features

- FM stereo/SW/MW/LW portable receiver with worldwide band coverage
- PLL (Phase Locked Loop) synthesizer system
- Presetting of up to 10 stations on each memory preset page for quick tuning (50 stations in total)
- Memory scan tuning of stations memorized on a memory preset page
- Standby timer function to receive your favorite broadcast at the desired time
- Scan tuning to automatically scan the stations
- Sleep timer to turn off the radio automatically after the sleep timer setting (60, 45, 30 or 15 minutes) is reached
- Clock function
- FM stereo reception through stereo headphones (not supplied)

Choosing Power Source

Installing Batteries (See fig. A)

- Open the lid of the battery compartment at the rear of the unit.
- Install three R6 (size AA) batteries with the + and - poles facing the correct way and then close the lid.

"0:00" flashes on the display after you first install the batteries. To stop flashing, set the clock. (See "Setting the Clock".)

Battery Life (approximate hours) (JEITA*)

	Sony LR6 alkaline (size AA)	Sony R6 (size AA)
FM reception	46	17
SW reception	33	12
LW/MW reception	33	12

* Measured value by the standard of JEITA (Japan Electronics and Information Technology Industries Association). The battery life may shorten depending on the operation of the unit.

Knowing when to replace the batteries

When the batteries become weak, "0:00" flashes on the display. When the batteries are completely exhausted, "0:00" lights on the display and the power is turned off. When "0:00" lights, replace all the batteries with new ones.

When you replace the batteries

Replace the batteries within 60 seconds while the power is turned off. If you do not perform any operation for 60 seconds, the clock and standby settings will be deleted. However, the stations you preset will remain. After the batteries are replaced, press ON/OFF to turn the indication off.

Using Other Power Sources

The internal batteries are automatically disconnected when the AC power adaptor is connected to the DC IN 4.5 V jack for external power source.

House current

Connect the Sony AC power adaptor (not supplied) to the DC IN 4.5 V jack firmly, and plug it into a wall outlet.

Notes on external power sources

- When operating the unit with an external power source, do not remove the batteries. These batteries serve to backup settings stored to memory. Since batteries discharge in this case as well, we recommend changing them about once a year.
- Before connecting and disconnecting the external power source plug, be sure to turn off the radio. Otherwise, "0:00" may be displayed. When this occurs, turn on the radio so that "0:00" disappears.
- When operating the unit with the internal batteries, remove the AC power adaptor from the wall outlet and the DC IN 4.5 V jack. Make sure that the plug of the external power source is disconnected before operating the unit.
- Use the recommended Sony AC power adaptor* only. The polarity of the plugs of other manufacturers may be different. Failure to use the recommended AC power adaptor may cause the unit to malfunction.



* For details on the optional AC power adaptor, see "Specifications".

Setting the Clock

Set the time when the radio is turned off. Set the time after you first install the batteries or the clock setting is erased. At this time "0:00" flashes.

The clock operates in the 24-hour system.

"0:00" = midnight

"12:00" = noon

Setting the clock

- Press and hold ENTER/CLOCK until you hear a beep. The hour indication starts flashing.



- Press ← or → + under TUNE/SCAN/TIME SET to display the correct hour.

The hour increases by pressing → +, and decreases by pressing ← -. To continuously increase or decrease the hour, keep → + or ← - hold down.

You hear a double-beep when "0" is displayed.



- Press and hold ENTER/CLOCK again until you hear a beep.



- Press ← or → + to display the correct minute.

To continuously increase or decrease the minute, keep → + or ← - hold down. You hear a double-beep when the "00" is displayed.



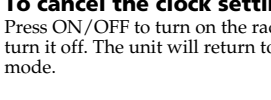
- Press and hold ENTER/CLOCK until you hear a double-beep.

The colon ":" starts flashing and the clock operates.



- Press and hold ENTER/CLOCK until you hear a double-beep.

The colon ":" starts flashing and the clock operates.



Press ON/OFF to turn on the radio, and then turn it off. The unit will return to the previous mode.

Troubleshooting

Should any problem persist after you have made the following checks, consult your nearest Sony dealer.

- There is no sound output.**
 - VOL (volume) is turned down completely.
 - The stereo headphones are plugged in.
 - The batteries are inserted with the + and - poles facing the wrong way.
- Radio disconnects, even if you press POWER.**
 - The batteries are inserted with the + and - poles facing the wrong way.
 - The batteries are exhausted ("0:00" flashes or lights).
 - The AC power adaptor is disconnected.

- Sound quality is unsatisfactory, or reception is poor or cannot be received.**
 - Weak batteries ("0:00" flashes).
 - Tuning and antenna orientation requires further adjustment.
 - The radio signal is weak. Listen to the radio near a window when in a vehicle or building.
 - ATT switch is set to ON. Set it to OFF, or adjust the ATT control.

Stations cannot be stored to memory.

- Press ENTER/CLOCK for at least two seconds and press the desired MEMORY PRESET PAGE to select the preset number.

The preset station cannot be received during preset tuning.

- VOL (volume) is turned down completely.
- The number selected for the preset station is incorrect. Select the correct number assigned to the desired preset station.
- The preset stations have been erased from memory. Store the station to memory again.

Scan tuning does not work.

- NORMAL/FINE switch is set to FINE. Set it to NORMAL.
- Memory scan tuning does not work.
 - You did not select a page number by pressing MEMORY PRESET PAGE. Press the desired MEMORY PRESET PAGE, then press MEMORY SCAN.
 - The scanned page has only one preset station.

Scanning does not stop.

- The ATT switch is set to ON. Set it to OFF, or adjust the ATT control.

The radio is not turned on when the preset standby time is reached.

- VOL (volume) is turned down completely.
- "STANDBY", "■" or "■" is not displayed.
- The hold function is operating.
- The preset standby time has been erased from memory because the batteries were not replaced within one minute after being removed from the unit. Store the standby time to memory again.

The buttons and controls are not operating.

- The hold function is operating and "0:00" lights on the display. Slide HOLD to the left until "0:00" disappears from the display.

The display is dim.

- The unit is being used in extremely high or low temperatures, or in a place subject to excessive moisture.

The display shows no indication.

- The batteries are inserted with the + and - poles facing the wrong way.
- The batteries have run down.

Precautions

- Operate the unit only on 4.5 V DC. For battery operation, use three R6 (size AA) batteries. For AC operation, use only the recommended AC power adaptor.
- The unit is not disconnected from the AC power source (as long as it is connected to a wall outlet, even if the unit itself has been turned off.
- Use the unit within a temperature range of 0°C to 40°C (32°F to 104°F). If it is used in temperatures outside this range, an irregular display may appear. If it is used in temperatures lower than this range, the display may change very slowly. These irregularities will disappear and there will be no damage to the unit when it is used in its recommended temperature range.
- Do not leave the unit in a location near heat sources, or in a place subject to direct sunlight, sand, excessive dust or mechanical shock.
- The nameplate indicating operating voltage, etc. is located on the rear exterior.
- Should any solid object or liquid fall into the unit, disconnect the AC power adaptor and remove the batteries, and have the unit checked by qualified personnel before operating it any further. Make sure that no liquid or foreign material enters.
- Since a strong magnet is used for the speaker, keep personal credit cards, etc., using magnetic coding away from the unit.
- When the casing becomes soiled, clean it with a soft dry cloth moistened with mild detergent solution. Never use abrasive cleansers or chemical solvents, as they may deform the casing.
- In vehicles or buildings, radio reception may be difficult or subject to interference. Try listening near a window.

Service and repair

When sending in your unit for service and repair, take note of your important settings in the memory. These settings are sometimes erased from memory, depending on the type of repair necessary.

If you have any questions or problems concerning your unit, please consult the nearest Sony dealer.

Specifications

Circuit system
FM: Super heterodyne
LW/MW/SW: Dual conversion super heterodyne

Frequency range
FM: 76.00-108.00 MHz
SW: 2250-26100 kHz
MW: 530-1710 kHz
LW: 150-285 kHz

Speaker
Approx. 66 mm (2 1/4 in.) diameter, 8 Ω

Maximum output
240 mW (at 10% harmonic distortion)

Output
□ (headphones) jack (ø3.5 mm stereo mini jack)

Power requirements
DC 4.5 V, three R6 (size AA) batteries

External power source
DC IN 4.5 V

Dimensions
Approx. 168 × 106 × 35 mm (W × H × D)

(6 1/4 × 4 1/8 × 1 3/8 in.) incl. projecting parts

Mass
Approx. 405 g (14.3 oz.) incl. batteries

Supplied Accessories
Sony R6 (size AA) battery (3)

Carrying case (1)
Compact antenna (1)
Wave handbook (1)

Optional Accessories
AC power adaptor AC-E45 HG
SW/MW/LW wide-range antenna AN-102
SW active antenna AN-LP1

Design and specifications are subject to change without notice.

The AC power adaptor's operating voltage varies depending upon the country in which it is sold. Buy the AC power adaptor in the country you intend to use it.

Your Sony dealer may not handle all of the above listed optional accessories. Please ask your dealer for detailed information on the optional accessories available in your country.

中文

警告

为防止发生火灾或触电危险，请勿把机器暴露于雨中或潮湿处。

为避免触电，请勿打开机壳/维修限找持有资格的人员。

使用前

感谢选购 Sony 世界波段接收机。本世界波段接收机可让您长时间享受收听广播之乐。在操作使用本世界波段接收机之前，务请先仔细阅读过说明书并妥加保存以供将来参考。

特点

- 包含世界通用宽带的 FM 立体声 / SW / MW / LW 手提式接收机
- PLL (相位锁定环) 合成系统
- 在每个存储预设页面上，可预设最多 10 个电台用于迅速调谐 (总共 50 个电台)
- 存储在存储预设页电台的存储扫描调谐
- 备用定时器功能可在所需时间收听喜欢的广播
- 扫描调谐器能自动地扫描电台
- 睡眠定时器能在到达睡眠定时器的设定时间 (60, 45, 30 或 15 分) 之后，自动地关闭收音机的 DC IN 4.5 V 插孔的 unit. This may lead to the malfunction of the unit.
- Since a strong magnet is used for the speaker, keep personal credit cards, etc., using magnetic coding away from the unit.
- When the casing becomes soiled, clean it with a soft dry cloth moistened with mild detergent solution. Never use abrasive cleansers or chemical solvents, as they may deform the casing.
- In vehicles or buildings, radio reception may be difficult or subject to interference. Try listening near a window.

选择电源

装电池 (参看图 A)

- 打开机器背面的电池室盖。
- 装入 3 个 R6 (AA, 3 号) 电池，须对准确 +、- 电极，然后关上盖子。

首次装入电池后，显示器中将闪烁着 "0:00"。要停止闪烁时，请设定时钟。(参看 "设定时钟")。

电池寿命 (大约小时数) (JEITA*)

	Sony LR6 碱电池 (size AA)	Sony R6 (size AA)
FM 收音	46	17
SW 收音	33	12
LW/MW 收音	33	12

* 按 JEITA (Japan Electronics and Information Technology Industries Association) 标准测定的值。实际上的电池寿命还随使用机器的状况而会有变动。

何时更换电池

当电池变弱时，显示器中将闪烁着 "0:00"。当电池完全耗尽时，显示器中将点亮 "0:00" 而关掉电源。当 "0:00" 点亮时，即请换新全部的电池。

更换电池时

更换电池时，请在机器关着电源时，在 60 秒内更换完电池。如果不在 60 秒内换装好电池，则机器的时钟和备用的各项设定都将被消除，只剩下预设的电台。

更换好电池以后，请按 ON/OFF 以关掉指示。

使用其他电源

当把 AC 电源转换器接到外部电源用的 DC IN 4.5 V 插孔时，机器内部的电池电源将自动地断开。

家庭用电源

将 Sony 的 AC 电源转换器 (无附带) 稳固地接插到 DC IN 4.5 V 插孔上，然后把它插到墙上电源插座。

外部电源须知

- 用外部电源操作机器时，也不要取出电池。因为这些电池也用于把设定项存入存储器。因此，电仍然在消耗的。您最好能一年换一次电池。
- 要接，或拆外部电源以前，请先关掉收音机电源开关。否则，可能显示 "0:00"。此时，请打开收音机操作，使 "0:00" 消失显示。
- 用内部电池操作机器时，请自墙上电源插座或 DC IN 4.5 V 插孔拆去 AC 电源转换器。操作机器以前，请确认有无光拆去外部电源插头。
- 跟使用推夹的 Sony AC 电源转换器*，因为导线插头的电极可能因厂商而异。不使用推夹的 AC 电源转换器，可能导致损坏机器。



* 有关选购件 AC 电源转换器的详细内容，请参看 "规格"。

设定时钟

请关掉收音机电源设定时间。首次安装电池后或时钟设定被抹去时，请设定时间。此时，将闪烁着 "0:00"。时钟是以 24 小时制运转的。

"0:00" = 午夜

"12:00" = 中午

设定时钟

- 按住 ENTER/CLOCK 至听到哪声。点钟指示即开始闪烁。



- 按 TUNE/SCAN/TIME SET 下面的 ← 或 → + 以显示正确点钟。

按 → + 将增大点钟数。按 ← - 则将减小点钟数。要连续地增、减点钟数时，请按住 → + 或 ← -。

当显示 "0" 时，可听到双哪声。



- 再按一次 ENTER/CLOCK 至听到哪声。



- 按 ← 或 → + 以显示正确分钟。

要连续地增、减分钟时，请按住 → + 或 ← -。当显示 "00" 时，将可听到双哪声。



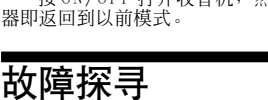
- 按住 ENTER/CLOCK 至听到双哪声。

双点冒号 ":" 开始闪烁，时钟即开始运转。



- 按住 ENTER/CLOCK 至听到双哪声。

双点冒号 ":" 开始闪烁，时钟即开始运转。



- 按住 ENTER/CLOCK 至听到双哪声。

双点冒号 ":" 开始闪烁，时钟即开始运转。

按 ON/OFF 打开收音机，然后又关掉它。机器即返回到以前模式。

故障探索

实施了下列各项检查而仍不能解决问题时，请咨询附近的 Sony 经销商。

要解除时钟设定

- 按 ON/OFF 打开收音机，然后又关掉它。机器即返回到以前模式。

不输出声音。

- 完全降低了 VOL (音量) 控制。
- 接插着立体声头戴耳机。
- 电池装错了方向。
- 拆下了 AC 电源转换器。

音质差，或接收状况差或不能接收广播。

- 电池变弱了 (闪烁着 "0:00")。
- 调谐和天线的方位都需要再调整。
- 无线电信号弱。如果在车辆或建筑物里收听，请调把收音机拿到靠窗口边听。
- ATT 开关设定于 ON。请把它设定为 OFF，或调整 ATT 控制。

电话不能存入存储器。

- 按 ENTER/CLOCK 至少 2 秒并按所要的 MEMORY PRESET PAGE (存储预设页面) 以选择预约号。

预约调谐时，不能接收预约电台。

- 完全调小了 VOL (音量)。
- 不显示 "STANDBY"、"■" 或 "■"。
- 所选预约电台用的预约号不对。正确地选择分配给所要接收的预约电台的号数。
- 预约电台被抹去了。请重新存储预约电台。

扫描调谐不起作用。

- NORMAL/FINE 开关设定于 FINE (细调)。请设定为 NORMAL (正常)。
- 没有按 MEMORY PRESET PAGE (存储预设页面) 选择页面号。请按所要的 MEMORY PRESET PAGE，然后按 MEMORY SCAN (存储扫描)。
- 所扫描页面只有一个预约电台。

扫描不能停。

- ATT 开关设定于 ON。把它设定于 OFF，或调整 ATT 控制。

到达预约待机时间时 收音机并不打开电源。

- 完全调小了 VOL (音量)。
- 不显示 "STANDBY"、"■" 或 "■"。
- 使用者保持 HOLD 功能。
- 换电池时，不在一分钟内装好电池而机器存储器中的预约待机时间被抹去了。请存入预约待机时间以再存储。

按钮和控制器都不起作用。

- 保持 (hold) 功能接通着。显示器中有 "0:00" 显示。把 HOLD 滑到左边使显示器中的 "0:00" 消失了显示。

显示器暗淡

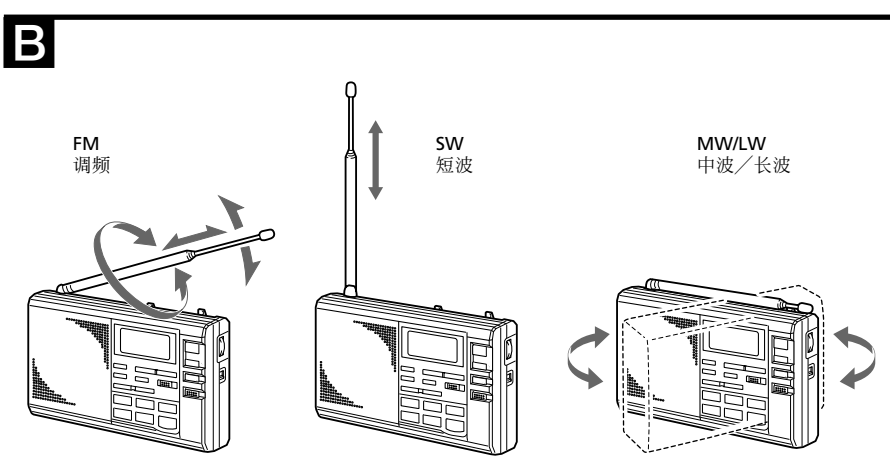
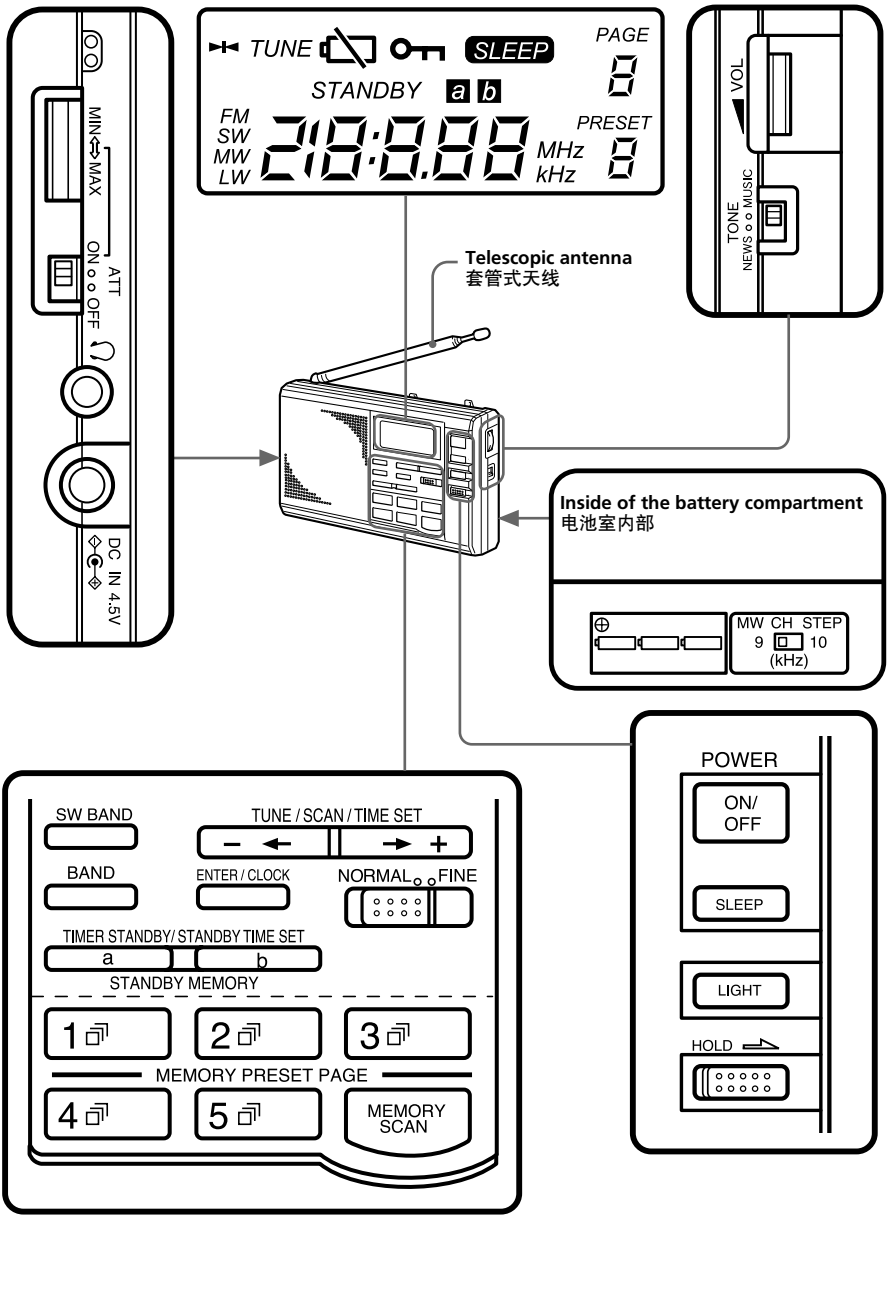
- 在太高温或太低温，或太潮湿的地方使用机器。

显示器不显示任何指示。

- 电池的 +、- 电极装错了方向。
- 电池电力变弱。

使用前须注意

- 跟使用 4.5 V DC (直流) 电源、利用电池时，请用 3 个 R6 (AA, 3 号) 电池。利用 AC (交流) 电源时，限用指定的 AC 电源转换器。
- 机器只要是 AC 电源转换器电源线仍接插在电源插座，则即使关掉了机器的电源开关，仍不完全断开 AC 电源的。
- 须在 0°C 到 40°C 的温度范围内使用机器。若在此范围外的温度环境中使用机器，可能出现不正常显示。在此范围以下温度使用，显示的变化可能变得很慢



English

Operating the Radio

Before operating the radio, make sure of your location. In some countries, the MW channel step must be changed. (For details, see "Changing the MW channel step".)

Manual Tuning

- Press ON/OFF to turn on the radio.
- Press BAND to select the band. Each press changes the display as follows:
 - ←LW→MW→SW→FM→
- When you select SW: press ←← or →→ under TUNE/SCAN/TIME SET while pressing SW BAND to select a meter band. See "Scan Tuning" for details on the meter band.
 - When you select LW, MW and FM, follow the step 4.
- Tune into the desired station by pressing ←← or →→.
 - A double-beep sounds when the minimum frequency of each band is received during tuning. When a broadcast is received, "TUNE" is displayed on the display.
- Turn the VOL (volume) to adjust the volume.

About frequency step

The frequency step used by pressing ←← or →→ under TUNE/SCAN/TIME SET can be changed with the NORMAL/FINE.

Band	NORMAL	FINE
LW	9 kHz	1 kHz
MW	9 kHz/10 kHz*	1 kHz
SW	5 kHz	1 kHz
FM	0.05 MHz	0.05 MHz

- * See "Changing the MW channel step" for details on the MW channel step.
- * Scan tuning is started by keeping ←← or →→ hold down while NORMAL is selected. (See "Scan tuning".)
- * The frequency changes continuously by keeping ←← or →→ hold down while FINE is selected. If you stop pressing ←← or →→, the frequency stops changing.

To turn off the radio

Press ON/OFF.
To enjoy FM stereo reception
 Plug the stereo headphones (not supplied) into the ♀ (headphones) jack.

When listening to news

Set the TONE selector to NEWS for optimum results. Vocal output will be sharper and clearer. When listening to music, set the TONE selector to MUSIC for optimum results.

Changing the MW channel step

This radio's frequency channel step in the MW band is set to 9 kHz/10 kHz before the radio is shipped from the factory. The default setting varies depending on the country where the radio is sold. Change the MW channel step when listening in countries in these regions.

Area	channel step
North/South America	10 kHz
Other countries/Regions	9 kHz

Note
 If the ATT control is turned too far toward MAX, the radio will not stop at any weak signals at all. Set the ATT switch to OFF if you do not need to use the attenuator.

English

Frequency range (LW, MW, SW: kHz, FM: MHz)

Band	Frequency range**	Scan tuning range	Meter band
LW	150-285	153-279	
MW	530-1710	531-1710**	
		530-1710**	
		2250-2550	120 m
		3150-3450	90 m
		3850-4050	75 m
		4700-5100	60 m
		5900-6250	49 m
		7100-7400	41 m
		9400-10000	31 m
		11500-12150	25 m
		13500-13900	22 m
		15000-15900	19 m
		17450-18000	16 m
		18850-19100	15 m
		21450-21950	13 m
		25600-26100	11 m
FM	76.00-108.00	76.00-108.00	

- *1 The LW and MW frequency ranges are the same as the scan tuning range when NORMAL/FINE is set to NORMAL.
- *2 9 kHz channel step
- *3 10 kHz channel step

Preset Tuning

You can preset up to 10 stations on each MEMORY PRESET PAGE (50 stations in total.) Once you preset a station to memory, you can receive the broadcast merely by pressing MEMORY PRESET PAGE.

The page number is displayed as 1-5, the preset number is displayed as 1-0. (0 indicates 10.)

To preset stations

- Tune into the station you want to preset. Refer to "Manual Tuning" or "Scan Tuning" for more details.
- Press and hold ENTER/CLOCK down until you hear a beep.
 - Page number 1 and preset number 1 flash when you are presetting a station for the first time or when you have preset 50 stations. In other cases, the number flashes as follows: Page number: the smallest page number among the pages that have a free preset number
 - Preset number: the smallest preset number that has not been preset in the page displayed above.



- Press the desired page number of MEMORY PRESET PAGE. For example, press page number 3. The display changes as illustrated below.



- Press the number under the MEMORY PRESET PAGE you have selected repeatedly to display the desired preset number. The preset number changes as follows:
 - ←1-2-3-4-5-6-7-8-9-0-0

A double-beep sounds when the display returns to "1". For example, select preset number 7. The display changes as illustrated below.



- Press ENTER/CLOCK until a double-beep sounds. The page number and the preset number stop flashing.



Scan Tuning

Use scan tuning to automatically scan the stations in the frequency range of a broadcast band.

- Press ON/OFF to turn on the radio.
- Press BAND to select the band. If you select SW, select the meter band too.
- Set NORMAL/FINE to NORMAL.
- Press and hold ←← or →→ under TUNE/SCAN/TIME SET. Release the button when the frequency indication starts changing. Scan tuning will begin within the frequency range table in the "Frequency range", and pause automatically for about three seconds when a station is received.
- When the radio tunes into the desired station, press ←← or →→ again to stop scanning.

Until you press ←← or →→, scan tuning will continue. If necessary, turn the station more precisely by pressing either ←← and →→.

- The unit scans the frequencies in descending order when you hold down ←← for two seconds or more, and in ascending order when you hold down →→ for two seconds or more.
- To change the scanning direction, hold down either ←← or →→ opposite to the current direction for two seconds or more. This is convenient when, for example, you want to return to the previous reception after the unit has resumed scanning.
- When scanning MW broadcasts at night when reception is intense, or when scanning under prevailing interference, the scanning will pause frequently. If it occurs, switch the ATT switch to ON and adjust sensitivity with the ATT control (see "Controlling scan pauses", below). Under normal conditions, set the ATT switch to OFF.

Controlling scan pauses—using the ATT switch and the ATT control

Use the ATT (attenuator) switch and the ATT control to control reception sensitivity when the scanning pauses frequently or scanning under prevailing interference. Under normal conditions, set the ATT switch to OFF (i.e., with maximum sensitivity). The ATT control is activated when the ATT switch is switched to ON. Turn the ATT control toward MAX to reduce sensitivity. The radio will skip weak signals and stop at only strong ones.

- Press and hold ENTER/CLOCK down until "dEL" flashes.
- Press MEMORY PRESET PAGE repeatedly to display the preset number you want to delete.

1 Press ON/OFF to turn on the radio.
 2 Press MEMORY PRESET PAGE repeatedly to display the preset number you want to delete.



- Press and hold ENTER/CLOCK down until "dEL" flashes.

4 Press ENTER/CLOCK again until a double-beep sounds. The page number and preset number disappear from the display.

Note

If you leave the radio for 30 seconds with no operation while the page number, preset number and "dEL" are flashing, the unit returns to the previous mode.

To interrupt and cancel deleting

Press ON/OFF to turn off the radio, and then press it again to turn the unit on. The unit returns to the previous mode.

Memory Scan Tuning

Use memory scan tuning to scan the preset stations automatically in one page.

- Press ON/OFF to turn on the radio.
- Press the page number of MEMORY PRESET PAGE you want to scan.
- Press MEMORY SCAN.

Scanning stops when the radio receives a preset station in the page. If you want to select other preset stations, press MEMORY SCAN again. The preset numbers have not been preset will be skipped.

- * Scanning works faster if you preset frequencies in descending or ascending order in preset number orders.

To interrupt and cancel memory scan tuning

Press MEMORY SCAN during memory scan tuning.

When preset stations cannot be received by memory scan tuning

A double-beep sounds and scanning stops when the first preset number you start scanning is returned to.

For example, you scan page 1 that has stations preset to preset numbers 2, 4, 6 and 8, and start scanning from preset number 6. A double-beep sounds when 6 is returned to.

- When scanning MW broadcasts at night when reception is intense, or scanning under prevailing interference, scanning will pause frequently. If it occurs, switch the ATT switch to ON and adjust sensitivity with the ATT control (see "Controlling scan pauses"). Under normal conditions, use the radio with the ATT switch set to OFF.

Improving Reception (See fig. B)

Adjusting the antenna

FM: Extend the telescopic antenna and adjust the direction and angle for the best reception.

SW: Extend the telescopic antenna to its full length and set it vertically.

MW, LW: Rotate the unit horizontally for optimum reception. A ferrite bar antenna is built in the unit.

Using an external antenna

Use the wide-range antenna AN-102 or the SW active antenna AN-LP1 (not supplied). For details, refer to the operating instructions of the each antenna.

- Keep the unit and antenna away from fluorescent lights, TVs, computers, and other equipment which may generate noise.
- Retract the telescopic antenna when using an external antenna.
- Set up the external antenna as far away from the street as possible.
- Note that the SW active antenna AN-LP1 may not function as usual when it is connected to this radio and memory scan tuning is in use. This is because AN-LP1 selects frequencies by the antenna controller.

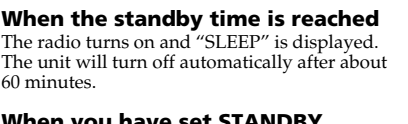
Setting the Standby Time

Standby function

You can turn on the radio and tune into your favourite station at the desired time.

- Before you set standby, make sure that the radio's clock setting is correct.
- Two standby times can be stored to STANDBY MEMORY a and b.
- Before you set the standby time, adjust VOL (volume) to set the volume when the radio is turned on.

- Receive the desired broadcast station.
- Press ENTER/CLOCK until you hear a beep. The page number and preset number start flashing.
- Press STANDBY MEMORY a or b. For example, when you press STANDBY MEMORY a, "PRESET" and "a" start flashing.



- Press ENTER/CLOCK until you hear a double-beep. "PRESET" and "a" or "b" light.
- Press ON/OFF to turn off the radio.
- Press STANDBY MEMORY a or b until you hear a beep. For example, when you press STANDBY MEMORY a, "PRESET" and "a" light.

7 Press ←← or →→ under TUNE/SCAN/TIME SET to set the hour.

8 Press STANDBY MEMORY a or b you selected in step 6 until you hear a beep. The hour is set, and the minute starts flashing.

9 Press ←← or →→ to set the minute.

10 Press STANDBY MEMORY a or b you selected in step 6 until you hear a double-beep. The minute is set, and "STANDBY" and "a" or "b" light.

When the standby time is reached

The radio turns on and "SLEEP" is displayed. The unit will turn off automatically after about 60 minutes.

When you have set STANDBY MEMORY a and b

If the second preset standby time is reached while the first standby time is operating, the most recent standby time will have priority over the other and the radio will tune into the appropriate station. If you have set STANDBY MEMORY a and b to the same time, STANDBY MEMORY a will have priority.

To cancel the standby function

Press STANDBY MEMORY a or b with the radio turned off so that "STANDBY" and "a" or "b" are cleared from the display. Be sure to release the button within one second. If the button is pressed continuously, the radio enters the standby setting mode.

To cancel temporarily the standby function

Slide HOLD in the direction of the arrow with the hold is canceled and "ON" disappears, the standby function is operational. (see "Using Other Functions")

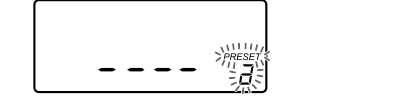
Notes

- Once a standby time is set, the radio turns on at the preset standby time everyday unless the standby setting is canceled.
- The standby function activates even while you are listening to other stations.

Activating the Alarm

To activate the alarm instead of the radio at the desired time, delete the station assigned to either STANDBY MEMORY a or b as necessary.

- Press ON/OFF to turn on the radio.
- Press STANDBY MEMORY a or b. The radio receives the preset station. If there is no preset station, a double-beep sounds and the display changes as illustrated below. In this case, perform the step 5.



- Press and hold ENTER/CLOCK down until "dEL" flashes.

- Press ENTER/CLOCK again until a double-beep sounds. The display "PRESET" and "a" or "b" will disappear. (See "Preset tuning-Deleting a preset station".)

When the standby time is reached and the standby is activated, the alarm sounds. The unit then turns off automatically after 60 minutes.

To stop the alarm

Press any button except LIGHT.

Setting the Sleep Timer

Sleep Timer Function

Enjoy falling asleep to the radio using sleep timer. The radio turns off automatically after the sleep timer setting (60, 45, 30 or 15 minutes) is reached.

- Press SLEEP. The sleep timer setting of "60" minutes is displayed and "SLEEP" flashes. The radio turns on if it was turned off.



- Press SLEEP repeatedly to select the desired sleep timer setting while "SLEEP" is flashing. Each press changes the display as follows:
 - ←60-45-30-15-0

A double-beep sounds when the display returns to "60". "SLEEP" lights three seconds after you select the sleep timer setting while "SLEEP" is flashing. After the sleep timer indication disappears and the frequency indication appears, the sleep timer activates.

- Tune into the desired station, and adjust the VOL (volume). The radio will turn off automatically after the sleep timer setting is reached.

To turn off the radio before the sleep timer setting is reached

Press ON/OFF.

To reset or extend the sleep timer setting

Press SLEEP again and select the desired sleep timer setting.

Using Other Functions

Hold Function

When the hold function is used, the buttons are not operational. Use the hold function to prevent accidental operation. The hold function can also be used to temporarily cancel the standby function.

To use the hold function

Slide HOLD in the direction of the arrow. "ON" appears on the display and all buttons are no longer operational.



To cancel the hold function

Slide HOLD in the opposite direction of the arrow. "ON" disappears from the display.

Light Function

Press LIGHT to turn on the light for about 20 to 30 seconds to view the display in the dark.

中文

操作收音机

操作收音机之前，请先确认自己的所在地。在某些国家里，MW 频道的步进必须变更。（详情参看“改变 MW 频道步进”。）

手动调谐

- 按 ON/OFF 以打开收音机。
- 按 BAND（波段）以选择波段。每按此按钮，显示将变化如下：
 - ←LW→MW→SW→FM→
- 当选择 LW 时，即响起双嘟声。（各波段所选最后的频率将出现于显示器。）
- 当选择 SW 时：按着 SW BAND 同时按 TUNE/SCAN/TIME SET 下面的 ← 或 → 以选择米波段。关于米波段的详细内容，请参看“扫描调谐”。当选择 LW、MW 和 FM 时，请按照步骤 4。
- 按 ← 或 → 以调入所要电台。调谐中，当接收到各波段的最小频率时，即响起双嘟声。当接收到广播时，显示器中将显示“TUNE”。
- 旋转 VOL（音量）以调整音量。

关于频率步进

按 TUNE/SCAN/TIME SET 下面的 ← 或 → 使用的频率步进能按 NORMAL/FINE 改变。

波段	NORMAL（正常）	FINE（细调）
L W	9 kHz	1 kHz
M W	9 kHz/10 kHz*	1 kHz
S W	5 kHz	1 kHz
F M	0.05 MHz	0.05 MHz

- * 有关 MW 频道步进详细内容，请参看“改变 MW 频道步进”。
- 选择了 NORMAL 时，按住 ← 或 → 以开始扫描调谐。（参看“扫描调谐”。）
- 选择了 FINE 时，按住 ← 或 → 以连续改变频率。如果按住 ← 或 →，频率即停止变化。

要关掉收音机时

请按 ON/OFF。

要收听 FM 立体声广播时

请把立体声耳机（无附带）的插头接插到 ♀（头戴耳机）插孔。

收听新闻时

把 TONE 选择器设定于 NEWS 以便获得最佳声效果。请音输出呈比较尖锐清晰。听音乐时，则把 TONE 选择器设定于 MUSIC 以便获得最佳音乐音响。

改变 MW 频道步进

本收音机的 MW 波段频率频道步进的工厂设定是 9 kHz/10 kHz。缺省设定随出接收电台当地国家而异。因此，在这些地区国家收听时，MW 的频道步进便须改变。

地区	频道步进
南/北美洲	10 kHz
其它国家/地区	9 kHz

- 按 ON/OFF 以关掉收音机。
- 从机器卸下电池。
- 变更电池室中的 MW CH STEP 的位置为所要的频道步进。
- 安装电池并按 ON/OFF。

注
 • 在 60 秒内完成步骤 2 到步骤 4 的操作。如果在 60 秒内不作任何操作，则钟设定即被抹去。
 • 接收大约 10250 kHz 和 20500 kHz 可能有困难，因为内置振荡器产生敏捷的内部信号。

扫描调谐

使用扫描调谐自动地扫描广播波段的频率范围中的电台。

- 按 ON/OFF 以打开收音机。
- 按 BAND（波段）以选择波段。如果选择了 SW，也请选择米波段。
- 设定 NORMAL/FINE 于 NORMAL。
- 按住 TUNE/SCAN/TIME SET 下面的 ← 或 →。当频率指示开始改变时即释放按钮。扫描调谐将在“顿者”中的频率范围表内开始扫描。当接收到电台时即自动地暂停扫描大约 3 秒。
- 当收音机调入了所要电台时，请再按一次 ← 或 → 以停止扫描。
 - 又按 ← 或 → 时，即继续进行扫描调谐。必要时，可按 ← 或 → 的任一以使更精确地调谐电台。
 - 按下 ← 或 → 2 秒以上时，机器即以递减顺序扫描频率。当按下 → 2 秒以上时，即以递增顺序扫描频率。
 - 要改变扫描方向时，请按 ← 或 → 相反于现在的扫描方向 2 秒以上。这时在机器恢复了扫描之后而您想返回以前的收音时，是一项方便的功能。
 - 当扫描接收信号的夜间的 MW 广播时，或在在收听 → 按下进行扫描时，扫描将频繁停止。此时，请把 ATT 开关切换于 ON 并用 ATT 控制调整灵敏度（参看下面“控制扫描暂停”）。在正常条件下，是把 ATT 开关设定为 OFF 的。

使用 ATT 开关和 ATT 控制控制扫描暂停

当扫描频繁发生或在主要干扰信号下进行扫描时，可用 ATT（衰减器）开关和 ATT 控制器去控制扫描灵敏度。在正常条件下，把 ATT 开关设定为 OFF（即使用最大灵敏度）。当把 ATT 开关切换于 ON 时，ATT 控制器即被激活。朝 MAX（最大）方向旋转 ATT 控制器以减小灵敏度。收音机将跳越微弱信号，只在强大的信号上。

注
 如果把 ATT 控制器旋转得太靠近 MAX，则收音机不会停止在任何微弱信号上面。如果不必使用衰减器，即请把 ATT 开关设定为 OFF。

频率范围 (LW、MW、SW: kHz, FM: MHz)

波段	频率范围**	扫描调谐范围	米波段
LW	150-285	153-279	
MW	530-1710	531-1710**	
		530-1710**	
		2250-2550	120 m
		3150-3450	90 m
		3850-4050	75 m
		4700-5100	60 m
		5900-6250	49 m
		7100-7400	41 m
		9400-	