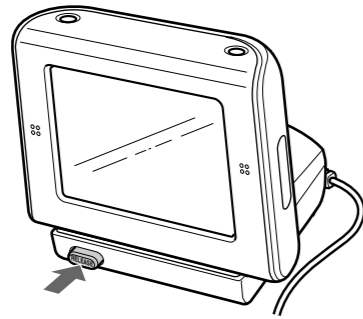
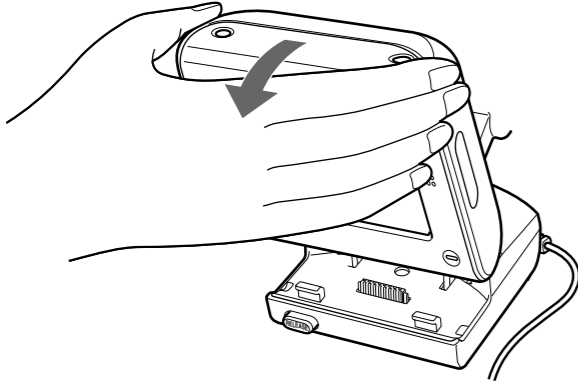


**Detaching the unit**

1



2



**Warning**

PLEASE READ THIS MANUAL AND THE SUPPLIED QUICK START GUIDE COMPLETELY BEFORE INSTALLING OR OPERATING YOUR PERSONAL NAVIGATION SYSTEM. IMPROPER INSTALLATION OR USE OF THIS DEVICE MAY CAUSE ACCIDENT, INJURY OR DEATH.

- Before installing the unit, choose a safe location on the windscreen or dashboard, making sure that it will not obstruct the driver's view or movements, or interfere with the operation of the airbag system.
- Detach and reattach the cradle regularly to maintain the attachment strength of the suction cup.

**On installation**

Do not connect the car battery directly to the jack of unit or cradle, as it may cause a malfunction. Be sure to use the supplied car battery adapter for connection.

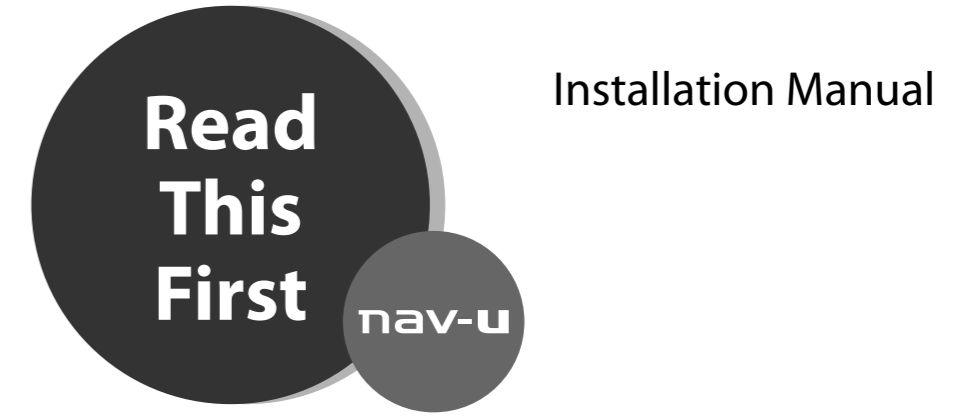
- Before installing the unit, check your local traffic laws and regulations.
- Make sure you install the unit properly using only the hardware provided and avoid mounting it onto any critical component of the vehicle.
- For information about the polarity, battery voltage and location of the airbag in your car, please consult your car dealer.
- Take care to prevent cords or wires from getting tangled or crimped in the moving portion of a seat rail.
- Please consult a qualified technician or service personnel if you cannot attach the cradle to the car securely.

**CAUTION**

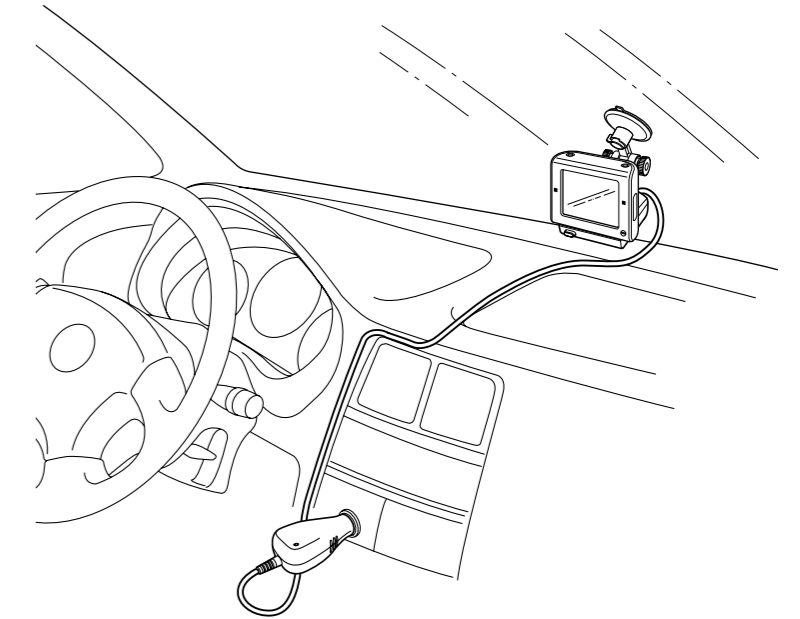
- The supplied sheet (H) is difficult to remove once applied. Choose a position carefully.
- If the suction cup is attached directly to the dashboard without the supplied sheet (H), the dashboard may be deformed, depending on its material.
- The supplied sheet (H) may not adhere to a dashboard covered with cloth, fur or other similar material.
- Do not install the cradle where it will be subjected to heat/high temperature.
- Depending on the size or shape of the cigarette lighter socket, connection may not be possible.

**On the suction cup**

A spot which appears like a blemish may exist around the centre of the suction cup. This occurs in manufacture, however, it does not affect performance or cause interference in use.



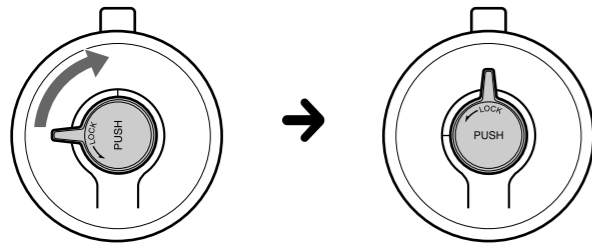
**Installation Manual**



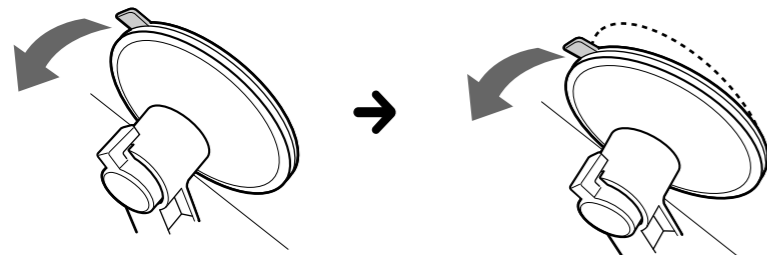
© 2007 Sony Corporation Printed in Thailand

**Detaching the cradle**

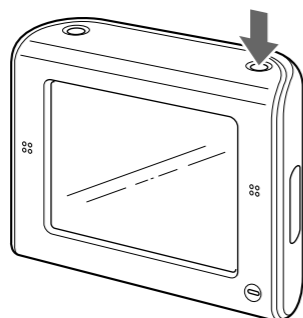
1



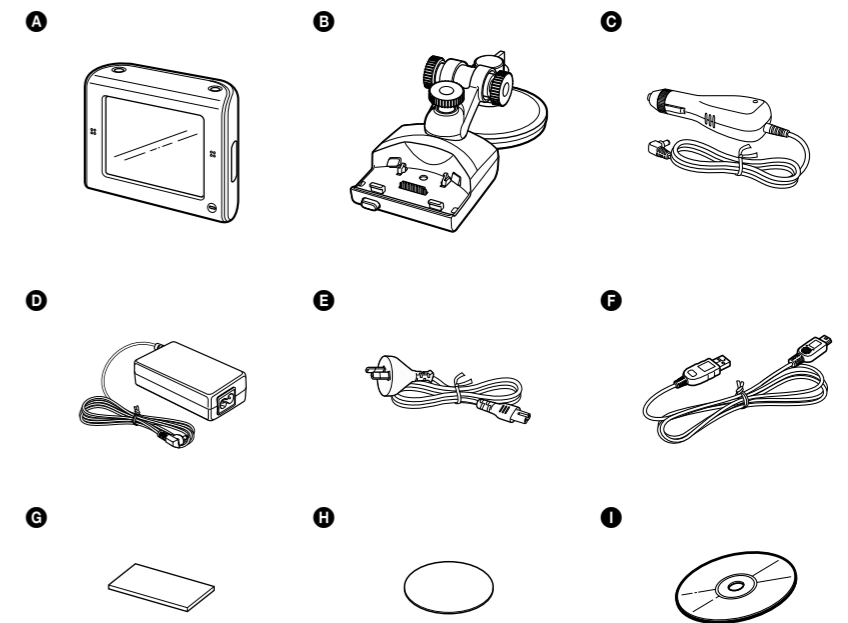
2



**Turning the unit on/off**



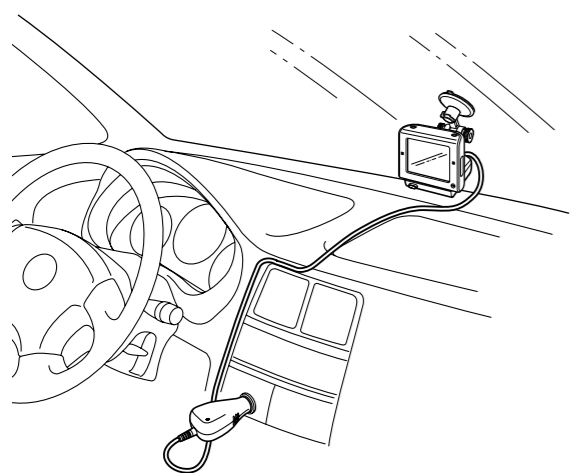
**Checking the contents**



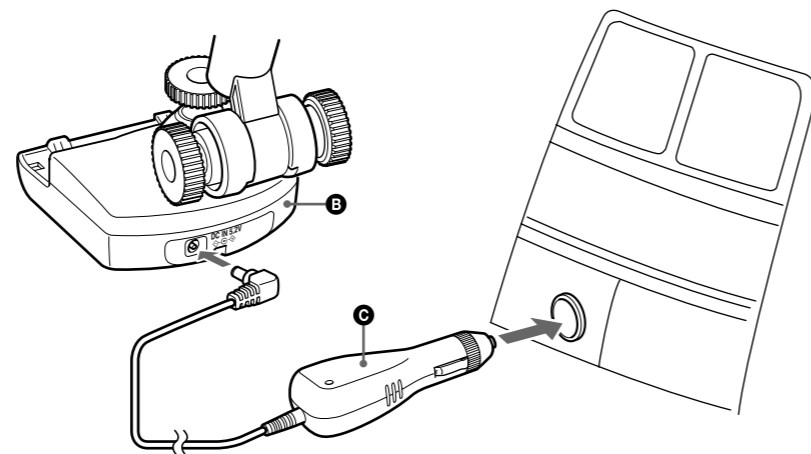
- Quick Start Guide
- Read This First
- Warranty Card
- END-USER LICENSE AGREEMENT

**Note**  
Illustrations in this manual may differ from the actual device.

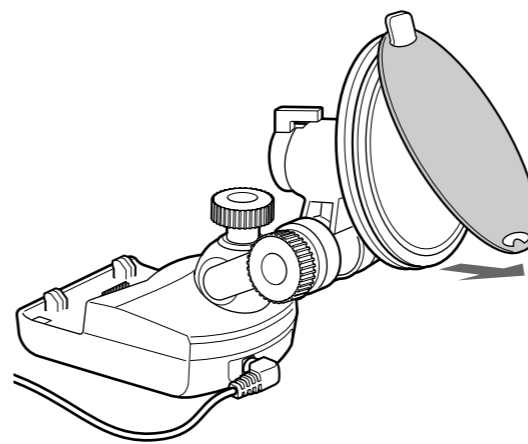
**Windscreen installation**



**1**

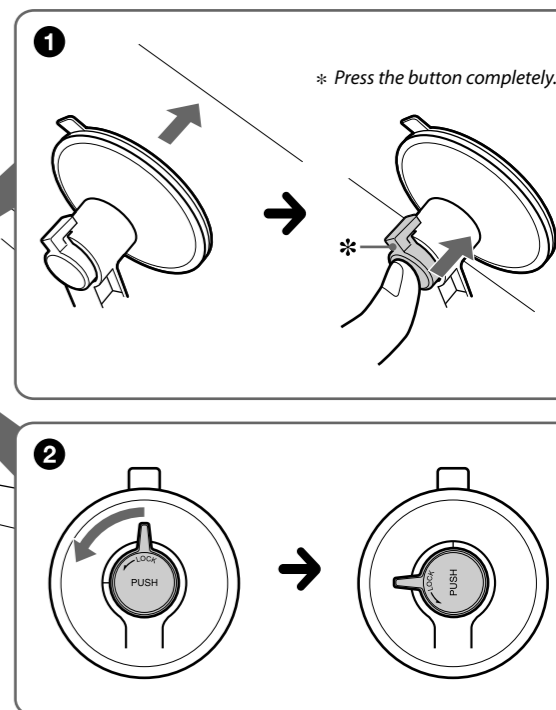
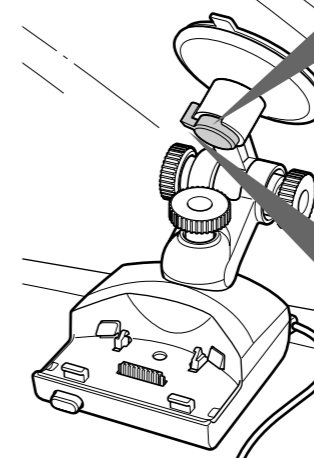


**2**

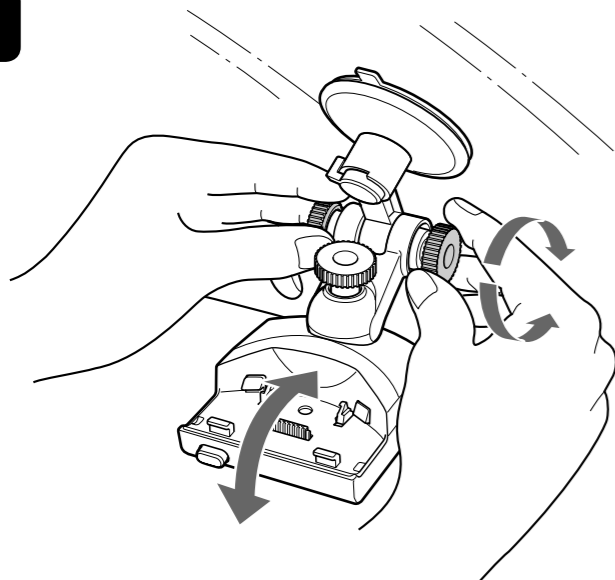


**Note**  
Before attaching the suction cup, clean the attachment surface.  
**Tip**  
Retain the removed protection sheet and attach it to the suction cup when you detach the cradle from the windscreen to keep the suction cup clean.

**3**

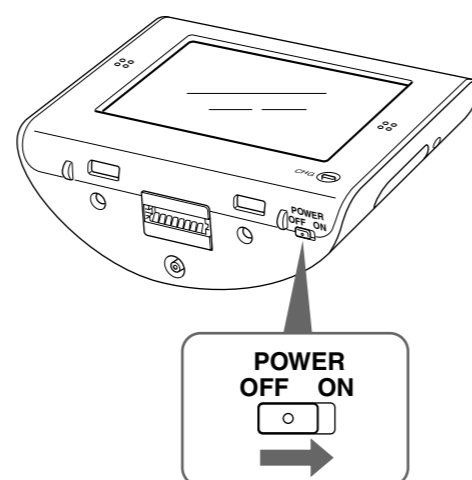


**4**



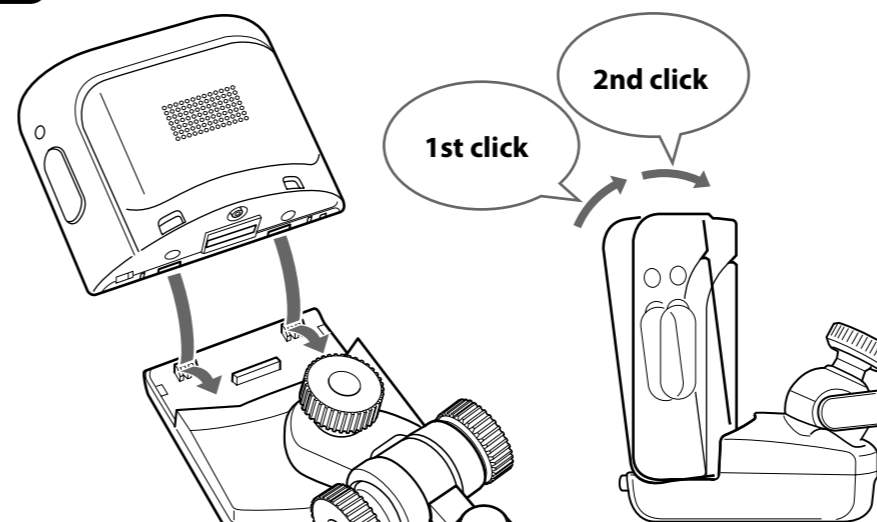
**Note**  
If you are concerned about car vibration and want to stabilize the unit, cut the supplied pad (c) to the appropriate size and attach it to the cradle bottom, to sit between the cradle and dashboard.

**5**

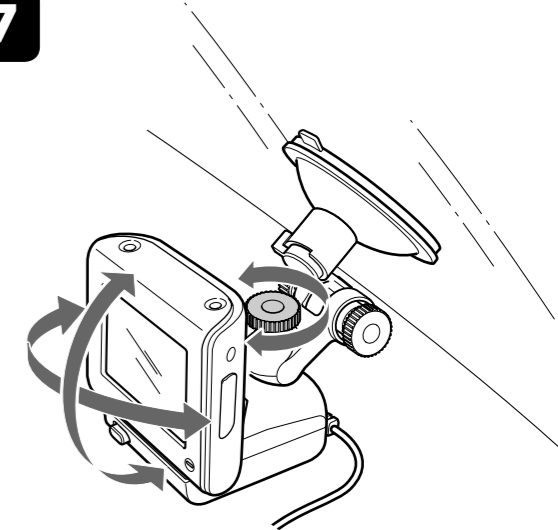


See also "Turning the unit on" in the supplied Quick Start Guide.

**6**

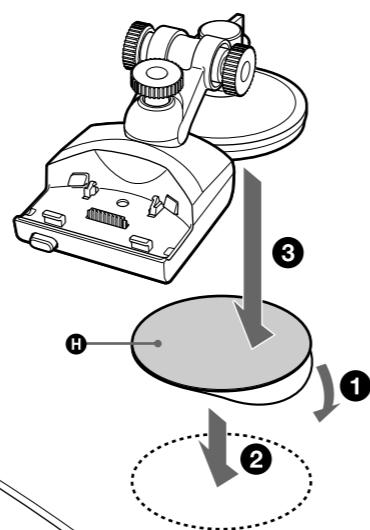
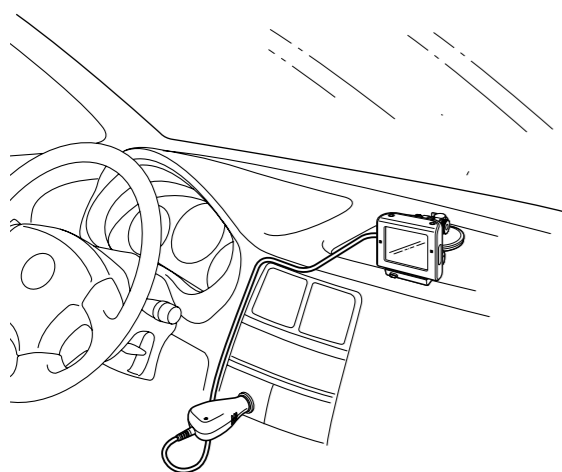


**7**



After the initial installation, park your car in a safe, open place (no high buildings, etc.) for up to 20 minutes to allow for GPS signals to be received before using the navigation system.

**Dashboard installation**



Choose an attachment surface that is flat, smooth and as horizontal as possible, otherwise the cradle may not attach properly.

Before attaching the supplied sheet (1), clean the attachment surface. Then, proceed from step 1 above.

**Note**  
If you are concerned about car vibration and want to stabilize the unit, cut the supplied pad (c) to the appropriate size and attach it to the cradle bottom, to sit between the cradle and dashboard.