

# Mini Hi-Fi Component System

## Operating Instructions

GB

### Music discs encoded with copyright protection technologies

This product is designed to playback discs that conform to the Compact Disc (CD) standard. Recently, various music discs encoded with copyright protection technologies are marketed by some record companies. Please be aware that among those discs, there are some that do not conform to the CD standard and may not be playable by this product.

MPEG Layer-3 audio coding technology and patents licensed from Fraunhofer IIS and Thomson.

## MHC-RG590S

© 2006 Sony Corporation Printed in Malaysia  
http://www.sony.net/



### WARNING

To reduce the risk of fire or electric shock, do not expose this apparatus to rain or moisture.

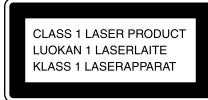
To reduce the risk of fire or electric shock, do not cover the ventilation of the apparatus with newspapers, tablecloths, curtains, etc. And do not place lighted candles on the apparatus.

To reduce the risk of fire or electric shock, do not place objects filled with liquids, such as vases, on the apparatus.

Connect the unit to an easily accessible AC outlet. Should you notice an abnormality in the unit, disconnect the main plug from the AC outlet immediately.

Do not install the appliance in a confined space, such as a bookcase or built-in cabinet.

### Except for customers in the U.S.A and Canada



This appliance is classified as a CLASS 1 LASER product. This marking is located on the rear exterior.

### Note on DualDiscs

A DualDisc is a two sided disc product which mates DVD recorded material on one side with digital audio material on the other side. However, since the audio material side does not conform to the Compact Disc (CD) standard, playback on this product is not guaranteed.

## Hooking up the system securely

### When carrying this system

- Remove all discs to protect the CD mechanism.
- Press CD [3] to select the CD function.
- Hold down [8] on the unit, and press I/O [1] on the unit until "STANDBY" appears.
- After "LOCK" appears, unplug the power cord.

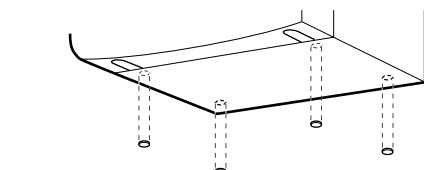
### Subwoofer

Place the subwoofer vertically to obtain a better bass reproduction. Also, position the subwoofer:
 

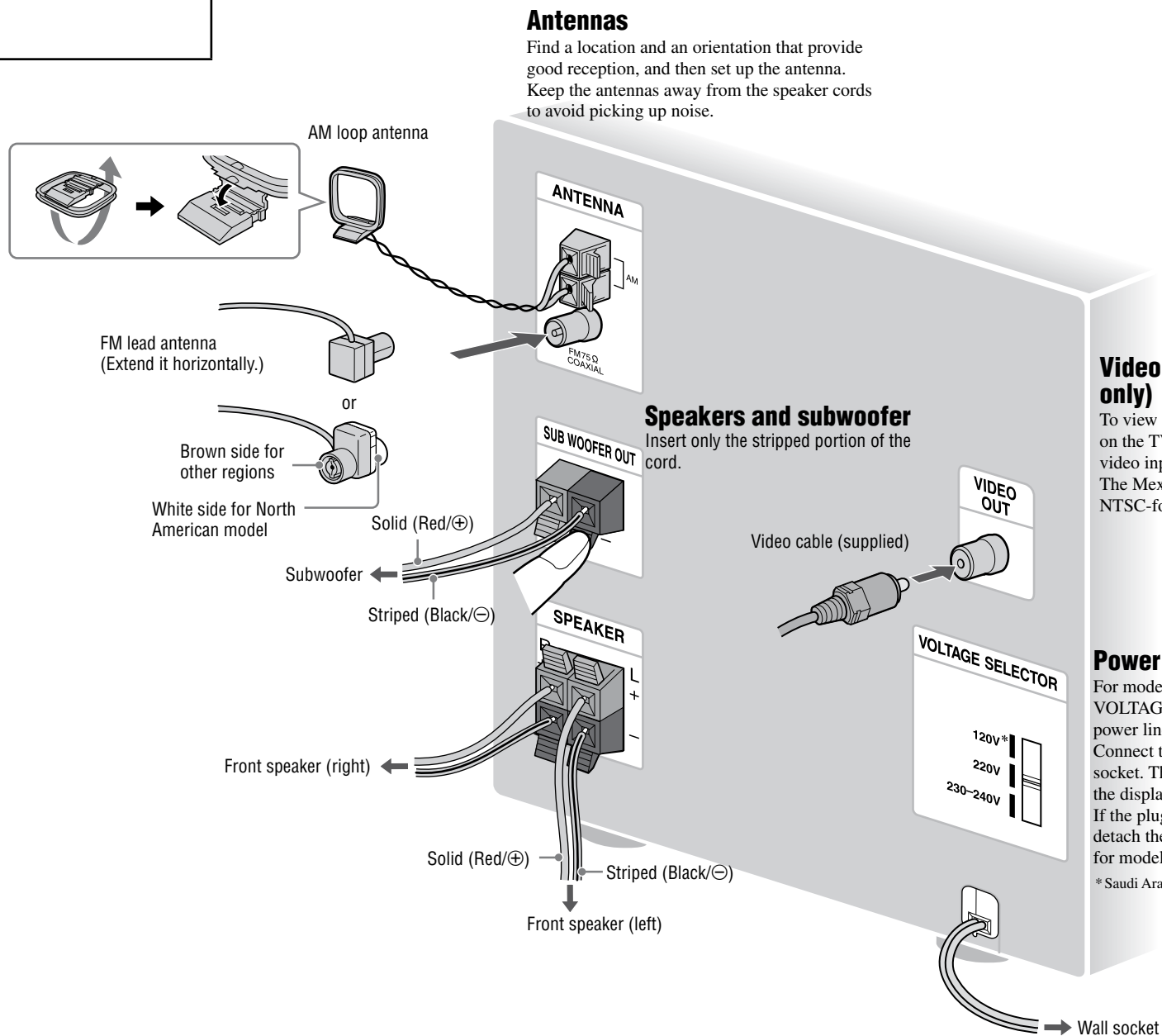
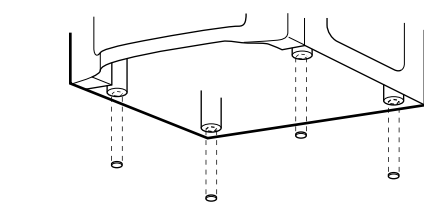
- on a solid floor where resonance is unlikely to occur.
- at least a few centimeters away from the wall.
- away from the center of the room or place a bookshelf against a wall, to avoid generating a standing wave.

### Speakers and subwoofer

Attach the supplied speaker pads to the bottom of the front speakers and subwoofer to prevent slipping. Front speaker



### Subwoofer



### Antennas

Find a location and an orientation that provide good reception, and then set up the antenna. Keep the antennas away from the speaker cords to avoid picking up noise.

### Speakers and subwoofer

Insert only the stripped portion of the cord.

### Video (Mexican model only)

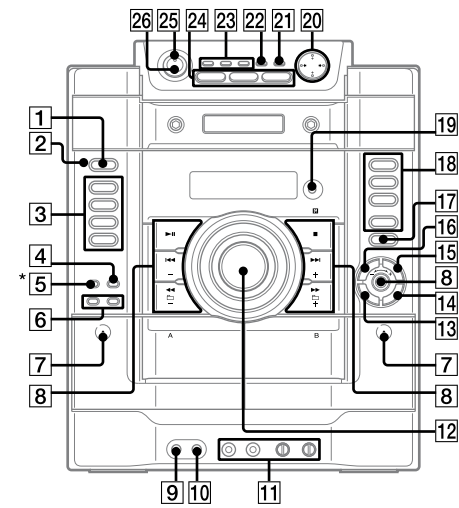
To view video from this system, turn on the TV, and select the appropriate video input on the TV. The Mexican model can play back only NTSC-format CD-G discs.

### Power

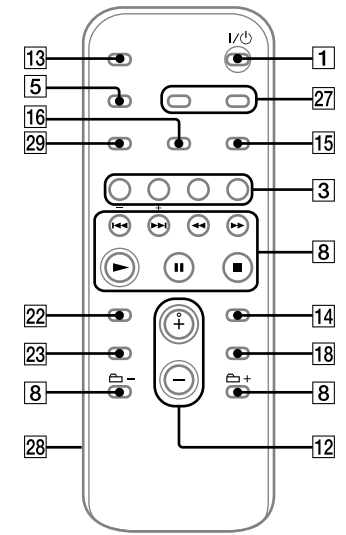
For models with a voltage selector, set VOLTAGE SELECTOR to the local power line voltage. Connect the power cord to a wall socket. The demonstration appears in the display. If the plug does not fit the wall socket, detach the supplied plug adaptor (only for models equipped with an adaptor).

\* Saudi Arabian model: 120 - 127 V

## Basic Operations



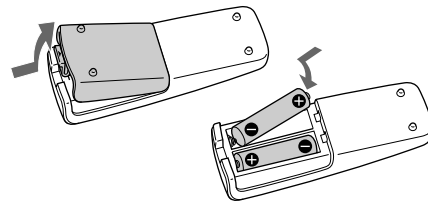
\* Mexican model: KARAOKE button  
Other models: DISPLAY button



### Before using the system

#### To use the remote

Slide and remove the battery compartment lid [28], and insert the two supplied R6 (size AA) batteries, (+) side first, matching the polarities shown below.



#### Notes on using the remote

- With normal use, the batteries should last for about six months.
- Do not mix an old battery with a new one or mix different types of batteries.
- If you do not use the remote for a long period of time, remove the batteries to avoid damage from battery leakage and corrosion.

#### To set the clock

- Turn on the system. Press I/O [1] (power) [1].
- Select the clock set mode. Press CLOCK/TIMER SET [27] on the remote. If the current mode appears on the display, press [8] repeatedly to select "CLOCK SET" and then press ENTER [14].
- Set the time. Press [8] repeatedly to set the hour, and then press ENTER [14]. Use the same procedure to set the minutes.

When you turn off the system after setting the clock, the clock display appears instead of the demonstration display. The clock settings are lost when you disconnect the power cord or if a power failure occurs.

### Selecting a music source

Press the following buttons (or press FUNCTION [3] on the remote repeatedly).

To select	Press
CD	CD [3].
Tuner	TUNER/BAND [3].
Tape (deck A or B)	TAPE on the remote (or TAPE A/B on the unit) [3].
Component (connected using an audio cord)	AUDIO IN [3] on the unit.

### Adjusting the sound

#### To adjust the volume

Press VOLUME +/- on the remote (or turn the VOLUME control on the unit) [12].

#### To add a sound effect

To	Press
Reinforce the bass and create a more powerful sound	GROOVE [23] on the unit repeatedly until "GROOVE" appears.
Set the surround effect	SURROUND [23] on the unit repeatedly until "SURR" appears.
Select the preset sound effect	EQ on the remote (or PRESET EQ on the unit) [23] repeatedly. To cancel, press EQ on the remote (or PRESET EQ on the unit) [23] repeatedly until "EQ OFF" appears.

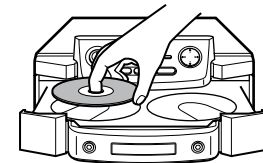
#### To turn on the subwoofer

Press SUBWOOFER [26] on the unit repeatedly until "SUB ON" appears. The SUBWOOFER indicator [26] on the unit lights up. If you later disconnect the subwoofer, repeat the procedure until "SUB OFF" appears. The volume of the subwoofer is linked to the front speakers.

### Playing a CD/CD-G/MP3 disc

CD-G discs are supported only on the Mexican model.

- Select the CD function. Press CD [3].
- Place a disc. Press [17] (open/close) [17] on the unit, and place a disc with the label side up on the disc tray.



- To insert additional discs, press DISC SKIP [18] to rotate the disc tray.
- To close the disc tray, press [17] (open/close) [17] on the unit again.
- Do not force the disc tray closed with your finger, as this may damage the unit.

#### 3 Start playback.

Press [8] (play) on the remote (or [8] (play/pause) on the unit) [8].

To	Press
Pause playback	[8] (pause) on the remote (or [8] (play/pause) on the unit) [8]. To resume play, press the button again.
Stop playback	[8] (stop) [8].
Select a folder on an MP3 disc	[8] +/- (select folder) [8].
Select a track or file	[8] (rewind/fast forward) [8] during playback, and release the button at the desired point.
Find a point in a track or file (except for CD-G discs)	Hold down [8] (rewind/fast forward) [8] during playback, and release the button at the desired point.
Select Repeat Play	REPEAT [15] repeatedly until "REP" or "REP1" appears.
Select a disc	DISC SKIP (or DISC 1 - 3 on the unit) [18] in stop mode.
Switch to CD function from other function	DISC 1 - 3 [18] on the unit (Automatic Source Selection).
Exchange other discs while playing	EX-CHANGE [18] on the unit.

#### To change the play mode

Press PLAY MODE [16] repeatedly while the player is stopped. You can select normal play ("ALL DISCS" for all discs or "1 DISC" for a disc or "[8] " for all MP3 files in the folder on the disc), shuffle play ("ALL DISCS SHUF" or "1 DISC SHUF" or "[8] SHUF\*"), or program play ("PGM").

\* When playing a CD-DA disc, [8] (SHUF) Play performs the same operation as 1 DISC (SHUF) Play.

#### Notes on Repeat Play

- All tracks or files on a disc are played repeatedly up to five times.
- You cannot select "REP" and "ALL DISCS SHUF" at the same time.
- "REP1" indicates that a single track or file is repeated until you stop it.

#### Notes on playing MP3 discs

- Do not save other types of files or unnecessary folders on a disc that has MP3 files.
- Folders that have no MP3 files are skipped.
- MP3 files are played back in the order that they are recorded on the disc.
- The system can only play MP3 files that have a file extension of ".MP3."
- If there are files on the disc that have the ".MP3" file extension, but that are not MP3 files, the unit may produce noise or may malfunction.

- The maximum number of:
  - folders is 150 (including the root folder).
  - MP3 files is 255.
  - MP3 files and folders that can be contained on a single disc is 300.
  - folder levels (the tree structure of files) is 8.
- Compatibility with all MP3 encoding/writing software, recording device, and recording media cannot be guaranteed. Incompatible MP3 discs may produce noise or interrupted audio or may not play at all.

#### Notes on playing multisession discs

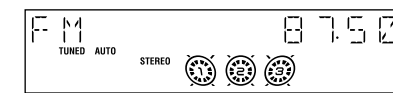
- If the disc begins with a CD-DA (or MP3) session, it is recognized as a CD-DA (or MP3) disc, and playback continues until another session is encountered.
- A disc with a mixed CD format is recognized as a CD-DA (audio) disc.

#### Notes on the Mexican model

- You cannot select the graphic channels of CD-Gs or display CD-G images with fading effects.
- Some functions of the unit, when used during CD-G disc playback, may cause image distortion in the video output.

### Listening to the radio

- Select "FM" or "AM." Press TUNER/BAND [3] repeatedly.
- Select the tuning mode. Press TUNING MODE [16] repeatedly until "AUTO" appears.
- Tune in the desired station. Press +/- on the remote (or TUNING +/- on the unit) [8]. Scanning stops automatically when a station is tuned in, and then "TUNED" and "STEREO" (for stereo programs) appear.



#### To stop automatic scanning

Press [8] (stop) [8].

#### To tune in a station with a weak signal

If "TUNED" does not appear and the scanning does not stop, press TUNING MODE [16] repeatedly until "AUTO" and "PRESET" disappear, and then press +/- on the remote (or TUNING +/- on the unit) [8] repeatedly to tune in the desired station.

#### To reduce static noise on a weak FM stereo station

Press FM MODE [15] on the remote repeatedly until "MONO" appears to turn off stereo reception.

### Playing a tape

- Select a tape deck. Press TAPE (or TAPE A/B on the unit) [3] repeatedly.
- Insert a tape. Press PUSH [7] on the unit, and insert the TYPE I (normal) tape into the cassette holder with the side you want to play facing forward. Make sure there is no slack in the tape to avoid damaging the tape or the tape deck. Press PUSH [7] on the unit again to close the cassette holder.
- Start playback. Press [8] (play) on the remote (or [8] (play/pause) on the unit) [8]. Do not eject the tape during playback or recording, as this may cause irreparable damage to the tape and the cassette holder.

To	Press
Pause playback	[8] (pause) on the remote (or [8] (play/pause) on the unit) [8]. To resume play, press the button again.
Stop playback	[8] (stop) [8].
Rewind or fast forward	[8] (rewind/fast forward) [8].
Select Relay Play*	PLAY MODE [16] repeatedly until "RELAY" appears.

\* After the playback of the front side of deck A, deck B plays the front side, and then stops.

### Changing the display

To	Press
Change the illumination pattern around the VOLUME control [12]	ILLUMINATION [4] on the unit repeatedly.
Change information on the display*	DISPLAY [5] repeatedly when the system is turned on.
Change Display mode (See below.)	DISPLAY [5] repeatedly when the system is turned off.

\* For example, you can view CD/CD-G/MP3 disc information, such as the track or file number or folder name during normal play, or the total playing time while the player is stopped.

The system offers the following display modes.

Display mode	When the system is off <sup>1)</sup>
Demonstration	The clock display is replaced by lighting and flashing of the display window.
Clock	The clock is displayed.
Power Saving Mode <sup>2)</sup>	The display is turned off to conserve power. The timer and clock continue to operate.

<sup>1)</sup> The STANDBY indicator [2] on the unit lights up when the system is off.

- <sup>2)</sup> When the system is in Power Saving Mode, the following functions are unavailable:
- setting the clock.
  - changing the AM tuning interval (except for Saudi Arabian model).
  - turning on the system by pressing the function buttons (for example, CD [3]).
  - changing the CD power management function.
  - resetting the system to factory settings.

#### Notes on the display information

- The following are not displayed:
  - total playing time for a CD-DA disc depending on the play mode.
  - total playing time for an MP3 disc.
  - remaining playing time for an MP3 file.
- The following are not displayed correctly:
  - elapsed playing time of an MP3 file encoded using a VBR (variable bit rate).
  - folder and file names that do not follow either the ISO9660 Level 1, Level 2 or Joliet in the expansion format.
- The following are displayed:
  - ID3 tag information for MP3 files when ID3 version 1 and version 2 tags are used.
  - up to 30 characters of ID3 tag information using uppercase letters (A to Z), numbers (0 to 9), and symbols (" \$ % ' ( ) \* , - . / < = > @ [ \ ] \_ { | } ! ? ^).

### Using optional audio components

#### To connect an optional headphones

Connect headphones to the PHONES jack [9] on the unit.

#### To connect an optional component

Connect additional audio component to the AUDIO IN jack [10] on the unit using an audio analog cord (not supplied). Turn down the volume on the system, and then select the AUDIO IN function.



## Other Operations

### Creating your own CD program (Program Play)

Use buttons on the remote to create your own program.

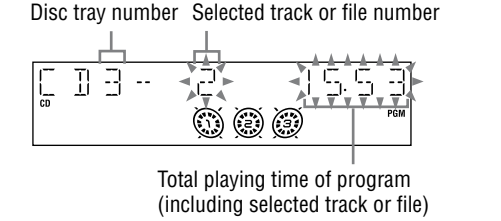
1 Press CD [3] to select the CD function.

2 Press PLAY MODE [16] repeatedly until “PGM” appears while the player is stopped.

3 Press DISC SKIP [18] repeatedly to select a disc.

4 Press [14▶▶▶▶▶] [8] repeatedly until the desired track number appears.

When programming MP3 files, press [+−] (select folder) [8] repeatedly to select the desired folder, and then select the desired file.



5 Press ENTER [14] to add the track or file to the program.

“– – – –” appears when the total program time exceeds 100 minutes for a CD, or when you select an MP3 file.

6 Repeat steps 3 through 5 to program additional tracks or files, up to a total of 25 tracks or files.

7 To play your program of tracks or files, press [▶] (play) [8].

The program remains available until you open the disc tray. To play the same program again, press [▶] (play) [8].

#### To cancel Program Play

Press PLAY MODE [16] repeatedly until “PGM” disappears while the player is stopped.

#### To delete the last track or file of the program

Press CLEAR [22] while the player is stopped.

#### To view program information, such as total playing time and the number of tracks

Press DISPLAY [5] repeatedly while the player is stopped.

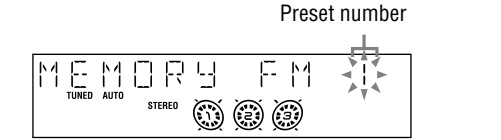
## Presetting radio stations

You can preset your favorite radio stations and tune them in instantly by selecting the corresponding preset number.

Use buttons on the remote to preset stations.

1 Tune in the desired station (see “Listening to the radio”).

2 Press TUNER MEMORY [29].



3 Press [+−] [8] repeatedly to select your desired preset number.

If another station is already assigned to the selected preset number, the station is replaced by the new stations.

4 Press ENTER [14].

5 Repeat steps 1 through 4 to store other stations. You can preset up to 20 FM and 10 AM stations. The preset stations are retained for about half a day even if you disconnect the power cord or if a power failure occurs.

6 To call up a preset radio station, press TUNING MODE [16] repeatedly until “PRESET” appears, and then press [+−] [8] repeatedly to select the desired preset number.

### Recording onto a tape

You can record on a TYPE I (normal) tape in three ways:

#### CD Synchro Recording:

You can record an entire CD onto a tape.

#### Manual Recording:

You can record just the portions you like from a sound source, including connected audio components.

#### Sound Mixing (Latin American model only):

You can “mix” sounds by playing one of the components and singing or speaking into a microphone (not supplied). The mixed sound can be recorded onto a tape.

Use buttons on the unit to control tape recording.

1 Load a recordable tape into deck B with the side you want to record facing forward, and then press TAPE A/B [3] repeatedly to select TAPE B.

2 Prepare the recording source.

For CD Synchro Recording:

Press CD [3] to select the CD function. Load the disc you want to record, and press DISC SKIP [18] repeatedly to select the disc.

When recording a folder from an MP3 disc, press PLAY MODE [16] repeatedly to select “[□],” and then press [+−] (select folder) [8] repeatedly to select the desired folder.

To record only your favorite CD tracks or MP3 files in your desired order, perform steps 2 to 6 of “Creating your own CD program.”

For Manual Recording and Sound Mixing:

Select the desired source to record or mix. To record only sound from a microphone, press CD [3], and do not start playing any other source in step 4.

3 Set deck B to stand by for recording.

For CD Synchro Recording:

Press CD SYNC [6].

For Manual Recording and Sound Mixing:

Press REC PAUSE/START [6].

4 Start recording.

While recording, you cannot listen to other sources.

For CD Synchro Recording:

Press REC PAUSE/START [6]. When the recording is completed, the CD player and the tape deck stop automatically.

For Manual Recording:

Press REC PAUSE/START [6], and then start playing the desired recording source.

If there is noise while recording from the tuner, reposition the appropriate antenna to reduce the noise.

For Sound Mixing:

Press REC PAUSE/START [6], and then start playing the desired source and start singing or speaking into the microphone.

If acoustic feedback (howling) occurs, reduce the volume, move the microphone away from the speakers, or change the direction of the microphone.

#### To stop recording

Press [■] (stop) [8].

#### Notes

- Recording stops if you change to a different function.
- You cannot eject the disc during CD Synchro Recording.

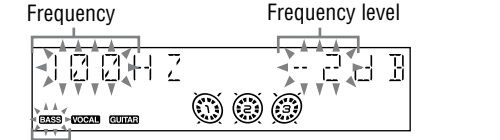
## Creating your own sound effect

You can raise or lower the levels of specific frequency ranges, and then store the setting as “USER” in the memory.

Use buttons on the unit to create your own sound effect.

1 Press BASS, VOCAL or GUITAR [24] to select a frequency band.

2 Press SELECT [↔] [20] repeatedly to select a frequency, and then press SELECT [+−] [20] repeatedly to adjust the frequency level. Repeat this for each band you want to adjust.



Frequency band

3 Hold down PRESET EQ [23] until “COMPLETE” appears

The setting is stored in the memory.

4 To call up the personal sound effect, press PRESET EQ [23] repeatedly until “USER” appears.

#### To cancel the sound effect

Press PRESET EQ [23] repeatedly until “EQ OFF” appears.

### Enjoying karaoke

#### (Latin American model only)

You can sing along by connecting an optional microphone.

Use buttons on the unit for karaoke.

1 Turn MIC LEVEL [11] to MIN to turn down the microphone volume level.

2 Connect an optional microphone to the MIC jack [11].

The Mexican model has 2 microphone jacks.

3 For the Mexican model only:

Press KARAOKE [5] repeatedly to select “KARAOKE PON” for stereo-recorded CD, or “MPX L” or “MPX R” for multiplex CD.

4 Start playing the music.

5 Turn MIC LEVEL [11] to adjust the microphone volume.

If acoustic feedback (howling) occurs, reduce the volume, move the microphone away from the speakers, or change the direction of the microphone. After you have finished, disconnect the microphone from the MIC jack [11].

#### For the Mexican model only:

To cancel karaoke mode, in addition to the above procedure, press KARAOKE [5] repeatedly until “[☛]” disappears.

To adjust the microphone reverb, turn ECHO LEVEL [11] to adjust the reverb effect. To cancel, turn ECHO LEVEL [11] to MIN.

To use CD-Gs, turn on your TV, and select the appropriate video input.

#### Note on the Mexican model

You cannot set the SURROUND effect when “KARAOKE PON” has been selected.

### Using the Timers

The system offers three timer functions. You cannot activate both the Play Timer and the Rec Timer at the same time. If you use either with the Sleep Timer, the Sleep Timer has priority.

#### Sleep Timer:

You can fall asleep to music. This function works even if the clock is not set. Press SLEEP [13] repeatedly. If you select “AUTO,” the system automatically turns off after the current disc or tape stops or in 100 minutes. Do not select “AUTO” during Synchro Recording of a tape.

#### Play Timer:

You can wake up to CD, tape or tuner at a preset time.

#### Rec Timer:

You can record a preset radio station at a specified time.

Use buttons on the remote to control the Play Timer and the Rec Timer. Make sure you have set the clock.

1 Prepare the sound source.

For Play Timer:

Prepare the sound source, and then press VOLUME [+−] [12] to adjust the volume.

To start from a specific CD track or MP3 file, create your own program.

For Rec Timer:

Tune in the preset radio station.

2 Press CLOCK/TIMER SET [27].

3 Press [14▶▶▶▶▶] [8] repeatedly to select “PLAY SET” or “REC SET,” and then press ENTER [14]. “ON” appears, and the hour indication flashes.

4 Set the time to start playing or recording.

Press [14▶▶▶▶▶] [8] repeatedly to set the hour, and then press ENTER [14].

The minute indication flashes. Use the procedure above to set the minutes.

5 Use the same procedure as in step 4 to set the time to stop playing or recording.

6 Select the sound source or prepare the tape.

For Play Timer:

Press [14▶▶▶▶▶] [8] repeatedly until the desired sound source appears, and then press ENTER [14]. The display shows the timer settings.

For Rec Timer:

Load a recordable tape into deck B. The display shows the timer settings.

7 Press I/[⏻] (power) [1] to turn off the system.

The system turns on 15 seconds before the preset time. If the system is on at the preset time, the Play Timer and the Rec Timer will not play or record.

#### To activate or check the timer again

Press CLOCK/TIMER SELECT [27], press [14▶▶▶▶▶] [8] repeatedly until “PLAY SELECT” or “REC SELECT” appears, and then press ENTER [14].

#### To cancel the timer

Repeat the same procedure as above until “TIMER OFF” appears, and then press ENTER [14].

#### To change the setting

Start over from step 1.

#### Tips

- The Play Timer setting remains as long as the setting is not canceled manually.
- The volume is reduced to minimum during the Rec Timer.
- The Rec Timer is canceled automatically after the Rec Timer has been activated.

## Troubleshooting

1 Make sure the power cord and speaker cords are correctly and firmly connected.

2 Find your problem in the checklist below, and take the indicated corrective action.

If the issue persists, contact your nearest Sony dealer.

#### If the STANDBY indicator flashes

Immediately unplug the power cord, and check the following item.

- If your system has a voltage selector, is the voltage selector set to the correct voltage?
- Are the + and – speaker cords short-circuited?
- Are you using only the supplied speakers?
- Is anything blocking the ventilation holes on the back of the system?

After the STANDBY indicator [2] stops flashing, reconnect the power cord, and turn on the system. If the issue persists, contact your nearest Sony dealer.

### General

#### The display starts flashing as soon as you plug in the power cord even though you have not turned on the system.

• Press DISPLAY [6] twice while the system is off. The demonstration disappears.

#### Sound comes from one channel, or the left and right volumes are unbalanced.

- Place the speakers as symmetrically as possible.
- Connect only the supplied speakers.

#### Sound lacks bass.

- Check that the striped (or solid) cord is connected to the speaker’s – (or +) jack correctly.

#### Severe hum or noise.

- Move the system away from sources of noise.
- Connect the system to a different wall socket.
- Install a noise filter (available separately) to the power cord.

#### The remote does not function.

- Remove any obstacles between the remote and the remote sensor [19] on the unit, and position the unit away from fluorescent lights.
- Point the remote at the system’s sensor.
- Move the remote closer to the system.

### CD/MP3 player

#### The sound skips, or the disc will not play.

- Wipe the disc clean, and replace it.
- Move the system to a location away from vibration (for example, on top of a stable stand).
- Move the speakers away from the system, or place them on separate stands. At high volume, speaker vibration may cause the sound to skip.

#### Play does not start from the first track.

- Press PLAY MODE [16] repeatedly until both “PGM” and “SHUF” disappear to return to normal play.

#### Starting playback takes more time than usual.

- The following discs take a longer time to start playback.
  - a disc recorded with a complicated tree structure.
  - a disc recorded in multisession mode.
  - a disc that has not been finalized (a disc to which data can be added).
  - a disc that has many folders.

### Tuner

#### Severe hum or noise, or stations cannot be received. (“TUNED” or “STEREO” flashes on the display.)

- Connect the antenna properly.
- Find a location and an orientation that provide good reception, and then set up the antenna again.
- Connect a commercially available external antenna.
- Turn off nearby electrical equipment.

### Tape deck

#### The sound exhibits excessive wow or flutter or dropout.

• Clean the capstans and pinch rollers. Also, clean and demagnetize the tape heads. See “Precautions” for details.

### To change the AM tuning interval

The AM tuning interval is factory-preset to 9 kHz (or 10 kHz, for some areas; this function is not available on the Saudi Arabian model). You cannot change the AM tuning interval in Power Saving Mode.

Use buttons on the unit to change the AM tuning interval.

1 Tune in any AM station, and then turn off the system.

2 While holding down TUNING – [8], press I/[⏻] (power) [1].

All the AM preset stations are erased. To reset the interval to the factory preset, repeat the procedure.

### To improve tuner reception

Turn off CD player power by using the CD power management function. By default, CD power is turned on. You cannot change the setting in Power Saving Mode.

Use buttons on the unit to turn off CD player power.

1 Press CD [3] to select the CD function.

2 Press I/[⏻] (power) [1] to turn off the system.

3 After “STANDBY” stops flashing, press I/[⏻] (power) [1] while holding down [■] (stop) [8]. “CD POWER OFF” appears. With CD player power turned off, disc access time is increased. To turn on CD player power, repeat the procedure until “CD POWER ON” appears.

### To reset the system to factory settings

If the system still does not operate properly, reset the system to factory settings. You cannot reset the system to factory settings in Power Saving Mode.

Use buttons on the unit to reset the system to its factory default settings.

1 Disconnect and reconnect the power cord, and then turn on the system.

2 Press [■] [▶▶] [8], and DISC 1 [18] at the same time.

All user-configured settings, such as preset radio stations, timer, and the clock, are deleted.

## Messages

**COMPLETE** : The preset operation ended normally.
**LOCKED** : The disc tray does not open. Contact your nearest Sony dealer.

**NO DISC** : There is no disc in the player, or you have loaded a disc that cannot be played.

**NO STEP** : All of the programmed tracks have been erased.

**NO TAB** : You cannot record because the overwrite protection tab has been removed from the cassette.

**NO TAPE** : There is no tape in the tape deck.

**NOT IN USE** : You pressed an invalid button.

**OVER** : You have reached the end of the disc while pressing [▶▶] (fast forward) [8] during playback or pause.

**PUSH SELECT** : You tried to set the clock or timer during timer operation.

**PUSH STOP** : You pressed PLAY MODE [16] during playback.

**READING** : The system is reading information of the disc. Some buttons are not available.

**SET CLOCK** : You tried to select the timer when the clock is not set.

**SET TIMER** : You tried to select the timer when the Play Timer or Rec Timer is not set.

**STEP FULL** : You tried to program more than 26 tracks or files (steps).

**TIME NG** : The Play Timer or Rec Timer start and end times are set to the same time.

Display	indicates</
---------	-------------