

Mini Hi-Fi Component System

Operating Instructions

GB

Music discs encoded with copyright protection technologies

This product is designed to playback discs that conform to the Compact Disc (CD) standard. Recently, various music discs encoded with copyright protection technologies are marketed by some record companies. Please be aware that among those discs, there are some that do not conform to the CD standard and may not be playable by this product.

MPEG Layer-3 audio coding technology and patents licensed from Fraunhofer IIS and Thomson.

MHC-RG590S

© 2006 Sony Corporation Printed in China
http://www.sony.net/



WARNING

To reduce the risk of fire or electric shock, do not expose this apparatus to rain or moisture.

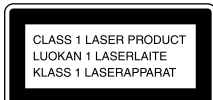
To reduce the risk of fire or electric shock, do not cover the ventilation of the apparatus with newspapers, tablecloths, curtains, etc. And do not place lighted candles on the apparatus.

To reduce the risk of fire or electric shock, do not place objects filled with liquids, such as vases, on the apparatus.

Connect the unit to an easily accessible AC outlet. Should you notice an abnormality in the unit, disconnect the main plug from the AC outlet immediately.

Do not install the appliance in a confined space, such as a bookcase or built-in cabinet.

Except for customers in the U.S.A and Canada



This appliance is classified as a CLASS 1 LASER product. This marking is located on the rear exterior.

Note on DualDiscs

A DualDisc is a two sided disc product which mates DVD recorded material on one side with digital audio material on the other side. However, since the audio material side does not conform to the Compact Disc (CD) standard, playback on this product is not guaranteed.

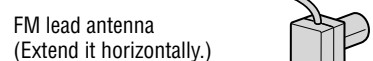
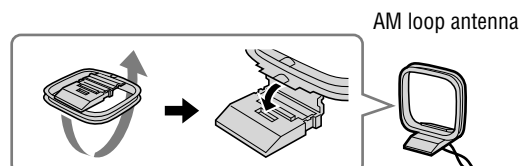
Hooking up the system securely

When carrying this system

- 1 Remove all discs to protect the CD mechanism.
- 2 Press CD [3] to select the CD function.
- 3 Hold down [8] on the unit, and press I/O [1] on the unit until "STANDBY" appears.
- 4 After "LOCK" appears, unplug the power cord.

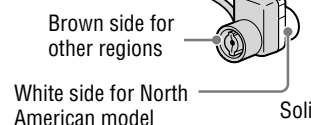
Antennas

Find a location and an orientation that provide good reception, and then set up the antenna. Keep the antennas away from the speaker cords to avoid picking up noise.



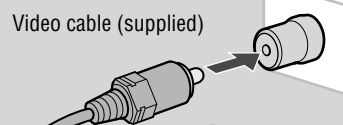
Speakers and subwoofer

Insert only the stripped portion of the cord.



Video (Mexican model only)

To view video from this system, turn on the TV, and select the appropriate video input on the TV. The Mexican model can play back only NTSC-format CD-G discs.

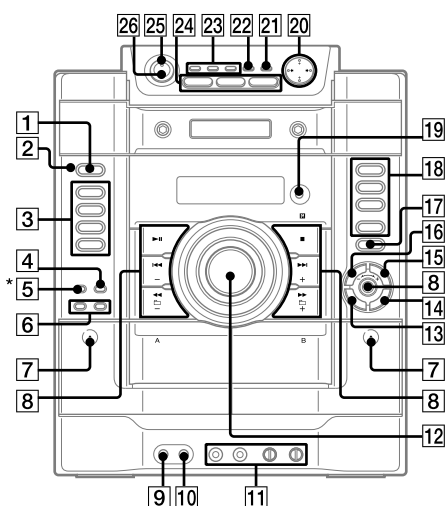


Power

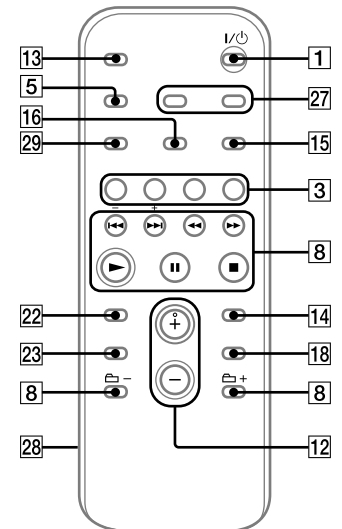
For models with a voltage selector, set VOLTAGE SELECTOR to the local power line voltage. Connect the power cord to a wall socket. The demonstration appears in the display. If the plug does not fit the wall socket, detach the supplied plug adaptor (only for models equipped with an adaptor).

* Saudi Arabian model: 120 - 127 V

Basic Operations



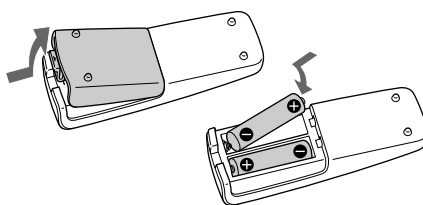
* Mexican model: KARAOKE button
Other models: DISPLAY button



Before using the system

To use the remote

Slide and remove the battery compartment lid [28], and insert the two supplied R6 (size AA) batteries, (+) side first, matching the polarities shown below.



Notes on using the remote

- With normal use, the batteries should last for about six months.
- Do not mix an old battery with a new one or mix different types of batteries.
- If you do not use the remote for a long period of time, remove the batteries to avoid damage from battery leakage and corrosion.

To set the clock

- 1 Turn on the system.
Press I/O [1].
- 2 Select the clock set mode.
Press CLOCK/TIMER SET [27] on the remote. If the current mode appears on the display, press [8] repeatedly to select "CLOCK SET" and then press ENTER [14].
- 3 Set the time.
Press [8] repeatedly to set the hour, and then press ENTER [14]. Use the same procedure to set the minutes.

When you turn off the system after setting the clock, the clock display appears instead of the demonstration display.

The clock settings are lost when you disconnect the power cord or if a power failure occurs.

Selecting a music source

Press the following buttons (or press FUNCTION [3] on the remote repeatedly).

To select	Press
CD	CD [3].
Tuner	TUNER/BAND [3].
Tape (deck A or B)	TAPE on the remote (or TAPE A/B on the unit) [3].
Component (connected using an audio cord)	AUDIO IN [3] on the unit.

Adjusting the sound

To adjust the volume

Press VOLUME +/- on the remote (or turn the VOLUME control on the unit) [12].

To add a sound effect

To	Press
Reinforce the bass and create a more powerful sound	GROOVE [23] on the unit repeatedly until "GROOVE" appears.
Set the surround effect	SURROUND [23] on the unit repeatedly until "SURR" appears.
Select the preset sound effect	EQ on the remote (or PRESET EQ on the unit) [23] repeatedly. To cancel, press EQ on the remote (or PRESET EQ on the unit) [23] repeatedly until "EQ OFF" appears.

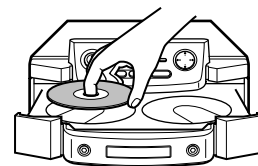
To turn on the subwoofer

Press SUBWOOFER [26] on the unit repeatedly until "SUB ON" appears. The SUBWOOFER indicator [26] on the unit lights up. If you later disconnect the subwoofer, repeat the procedure until "SUB OFF" appears. The volume of the subwoofer is linked to the front speakers.

Playing a CD/CD-G/MP3 disc

CD-G discs are supported only on the Mexican model.

- 1 Select the CD function.
Press CD [3].
- 2 Place a disc.
Press [17] (open/close) on the unit, and place a disc with the label side up on the disc tray.



To insert additional discs, press DISC SKIP [18] to rotate the disc tray.

To close the disc tray, press [17] (open/close) on the unit again.

Do not force the disc tray closed with your finger, as this may damage the unit.

3 Start playback.

Press [8] (play) on the remote (or [8] (play/pause) on the unit) [8].

To	Press
Pause playback	[8] (pause) on the remote (or [8] (play/pause) on the unit) [8]. To resume play, press the button again.
Stop playback	[8] (stop) [8].
Select a folder on an MP3 disc	[8] +/- (select folder) [8].
Select a track or file	[8] (rewind/fast forward) [8] during playback, and release the button at the desired point.
Find a point in a track or file (except for CD-G discs)	Hold down [8] (rewind/fast forward) [8] during playback, and release the button at the desired point.
Select Repeat Play	REPEAT [15] repeatedly until "REP" or "REP1" appears.
Select a disc	DISC SKIP (or DISC 1 - 3 on the unit) [18] in stop mode.
Switch to CD function from other function	DISC 1 - 3 [18] on the unit (Automatic Source Selection).
Exchange other discs while playing	EX-CHANGE [18] on the unit.

To change the play mode

Press PLAY MODE [16] repeatedly while the player is stopped. You can select normal play ("ALL DISCS" for all discs or "1 DISC" for a disc or "[8] " for all MP3 files in the folder on the disc), shuffle play ("ALL DISCS SHUF" or "1 DISC SHUF" or "[8] SHUF*"), or program play ("PGM").

* When playing a CD-DA disc, [8] (SHUF) Play performs the same operation as 1 DISC (SHUF) Play.

Notes on Repeat Play

- All tracks or files on a disc are played repeatedly up to five times.
- You cannot select "REP" and "ALL DISCS SHUF" at the same time.
- "REP1" indicates that a single track or file is repeated until you stop it.

Notes on playing MP3 discs

- Do not save other types of files or unnecessary folders on a disc that has MP3 files.
- Folders that have no MP3 files are skipped.
- MP3 files are played back in the order that they are recorded on the disc.
- The system can only play MP3 files that have a file extension of ".MP3."
- If there are files on the disc that have the ".MP3" file extension, but that are not MP3 files, the unit may produce noise or may malfunction.

- The maximum number of:
 - folders is 150 (including the root folder).
 - MP3 files is 255.
 - MP3 files and folders that can be contained on a single disc is 300.
 - folder levels (the tree structure of files) is 8.
- Compatibility with all MP3 encoding/writing software, recording device, and recording media cannot be guaranteed. Incompatible MP3 discs may produce noise or interrupted audio or may not play at all.

Notes on playing multisession discs

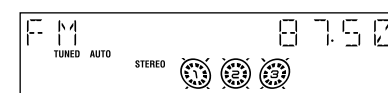
- If the disc begins with a CD-DA (or MP3) session, it is recognized as a CD-DA (or MP3) disc, and playback continues until another session is encountered.
- A disc with a mixed CD format is recognized as a CD-DA (audio) disc.

Notes on the Mexican model

- You cannot select the graphic channels of CD-Gs or display CD-G images with fading effects.
- Some functions of the unit, when used during CD-G disc playback, may cause image distortion in the video output.

Listening to the radio

- 1 Select "FM" or "AM."
Press TUNER/BAND [3] repeatedly.
- 2 Select the tuning mode.
Press TUNING MODE [16] repeatedly until "AUTO" appears.
- 3 Tune in the desired station.
Press +/- on the remote (or TUNING +/- on the unit) [8]. Scanning stops automatically when a station is tuned in, and then "TUNED" and "STEREO" (for stereo programs) appear.



To stop automatic scanning

Press [8] (stop) [8].

To tune in a station with a weak signal

If "TUNED" does not appear and the scanning does not stop, press TUNING MODE [16] repeatedly until "AUTO" and "PRESET" disappear, and then press +/- on the remote (or TUNING +/- on the unit) [8] repeatedly to tune in the desired station.

To reduce static noise on a weak FM stereo station

Press FM MODE [15] on the remote repeatedly until "MONO" appears to turn off stereo reception.

Playing a tape

- 1 Select a tape deck.
Press TAPE (or TAPE A/B on the unit) [3] repeatedly.
- 2 Insert a tape.
Press PUSH [7] on the unit, and insert the TYPE I (normal) tape into the cassette holder with the side you want to play facing forward. Make sure there is no slack in the tape to avoid damaging the tape or the tape deck. Press PUSH [7] on the unit again to close the cassette holder.
- 3 Start playback.
Press [8] (play) on the remote (or [8] (play/pause) on the unit) [8]. Do not eject the tape during playback or recording, as this may cause irreparable damage to the tape and the cassette holder.

To	Press
Pause playback	[8] (pause) on the remote (or [8] (play/pause) on the unit) [8]. To resume play, press the button again.
Stop playback	[8] (stop) [8].
Rewind or fast forward	[8] (rewind/fast forward) [8].
Select Relay Play*	PLAY MODE [16] repeatedly until "RELAY" appears.

* After the playback of the front side of deck A, deck B plays the front side, and then stops.

Changing the display

To	Press
Change the illumination pattern around the VOLUME control	ILLUMINATION [4] on the unit repeatedly.
Change information on the display*	DISPLAY [5] repeatedly when the system is turned on.
Change Display mode (See below.)	DISPLAY [5] repeatedly when the system is turned off.

* For example, you can view CD/CD-G/MP3 disc information, such as the track or file number or folder name during normal play, or the total playing time while the player is stopped.

The system offers the following display modes.

Display mode	When the system is off ¹⁾
Demonstration	The clock display is replaced by lighting and flashing of the display window.
Clock	The clock is displayed.
Power Saving Mode ²⁾	The display is turned off to conserve power. The timer and clock continue to operate.

¹⁾ The STANDBY indicator [2] on the unit lights up when the system is off.

- ²⁾ When the system is in Power Saving Mode, the following functions are unavailable:
- setting the clock.
 - changing the AM tuning interval (except for Saudi Arabian model).
 - turning on the system by pressing the function buttons (for example, CD [3]).
 - changing the CD power management function.
 - resetting the system to factory settings.

Notes on the display information

- The following are not displayed:
 - total playing time for a CD-DA disc depending on the play mode.
 - total playing time for an MP3 disc.
 - remaining playing time for an MP3 file.
- The following are not displayed correctly:
 - elapsed playing time of an MP3 file encoded using a VBR (variable bit rate).
 - folder and file names that do not follow either the ISO9660 Level 1, Level 2 or Joliet in the expansion format.
- The following are displayed:
 - ID3 tag information for MP3 files when ID3 version 1 and version 2 tags are used.
 - up to 30 characters of ID3 tag information using uppercase letters (A to Z), numbers (0 to 9), and symbols (" \$ % ' () * , - . / < = > @ [\] _ { | } ! ? ^).

Using optional audio components

To connect an optional headphones

Connect headphones to the PHONES jack [9] on the unit.

To connect an optional component

Connect additional audio component to the AUDIO IN jack [10] on the unit using an audio analog cord (not supplied). Turn down the volume on the system, and then select the AUDIO IN function.

