

# CD Radio Cassette-Corder

## Operating Instructions

GB

### CFD-G555CP

© 2006 Sony Corporation  
http://www.sony.net/

## WARNING

To reduce the risk of fire or electric shock, do not expose this apparatus to rain or moisture.

To avoid electrical shock, do not open the cabinet. Refer servicing to qualified personnel only.

To reduce the risk of fire, do not cover the ventilation of the apparatus with newspapers, tablecloths, curtains, etc. And do not place lighted candles on the apparatus.

To reduce the risk of fire or electric shock, do not place objects filled with liquids, such as vases, on the apparatus.

Connect the apparatus to an easily accessible AC outlet. Should you notice an abnormality in the apparatus, disconnect the main plug from the AC outlet immediately.

Do not install the appliance in a confined space, such as a bookcase or built-in cabinet.

### Notes on DualDiscs

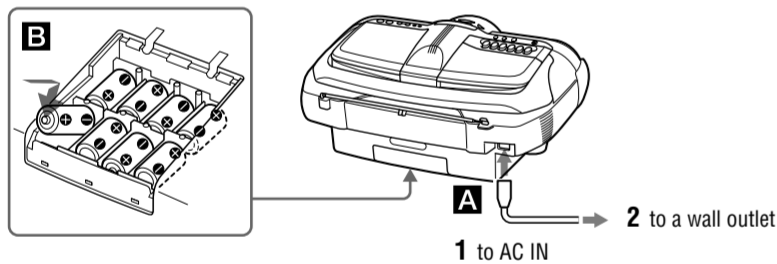
A DualDisc is a two sided disc product which mates DVD recorded material on one side with digital audio material on the other side. However, since the audio material side does not conform to the Compact Disc (CD) standard, playback on this product is not guaranteed.

### Music discs encoded with copyright protection technologies

This product is designed to playback discs that conform to the Compact Disc (CD) standard. Recently, various music discs encoded with copyright protection technologies are marketed by some record companies. Please be aware that among those discs, there are some that do not conform to the CD standard and may not be playable by this product.

MPEG Layer-3 audio coding technology and patents licensed from Fraunhofer IIS and Thomson.

## Power sources



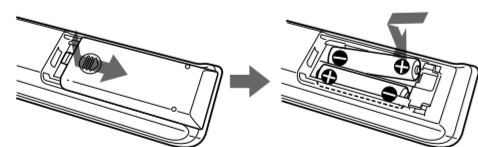
1 to AC IN 2 to a wall outlet

Connect the AC power cord **A** or insert eight R20 (size D) batteries (not supplied) into the battery compartment **B**.

- Notes**
- Replace the batteries when the OPR/BATT indicator dims or when the unit stops operating. Replace all the batteries with new ones. Before you replace the batteries, be sure to take out the CD from the unit.
  - To use the unit on batteries, disconnect the AC power cord from the unit.
  - When you operate the unit on batteries, you cannot turn on the unit using the remote.

### Preparing the remote

Insert two R03 (size AAA) batteries (not supplied).



### Replacing batteries

With normal use, the batteries should last for about six months. When the remote no longer operates the unit, replace all the batteries with new ones.

## Specifications

**CD player section**  
System  
Compact disc digital audio system  
Laser diode properties  
Emission duration: Continuous  
Laser output: Less than 44.6 μW  
(This output is the value measured at a distance of about 200 mm from the objective lens surface on the optical pick-up block with 7 mm aperture.)  
Number of channels  
2  
Frequency response  
20 - 20 000 Hz ±1/-2 dB  
Wow and flutter  
Below measurable limit

**Radio section**  
Frequency range  
FM: 87.5 - 108 MHz  
AM: 531 - 1 611 kHz (9 kHz step)  
530 - 1 610 kHz (10 kHz step)  
Antenna  
FM: Telescopic antenna  
AM: Built-in ferrite bar antenna

**Cassette-corder section**  
Recording system  
4-track 2 channel stereo  
Fast winding time  
Approx. 120 s (sec.) with Sony cassette C-60  
Frequency response  
TYPE I (normal): 70 - 13 000 Hz

**General**  
Speaker  
Full range: 10 cm dia., 3.2 Ω, cone type (2)  
Woofer: 10 cm dia., 4 Ω, cone type (1)  
Outputs  
Headphones jack (stereo minijack)  
For 16 - 68 Ω impedance headphones  
Power output  
4 W + 4 W (at 3.2 Ω, 10% harmonic distortion)  
Woofer:  
12 W (at 4 Ω, 10% harmonic distortion)  
Power requirements  
For CD radio cassette-corder:  
Malaysia and Singapore models: 230 - 240 V AC, 50 Hz  
Other models: 230 V AC, 50 Hz  
12 V DC, 8 R20 (size D) batteries  
For remote control:  
3 V DC, 2 R03 (size AAA) batteries  
Power consumption  
AC 30 W  
Battery life  
For CD radio cassette-corder:

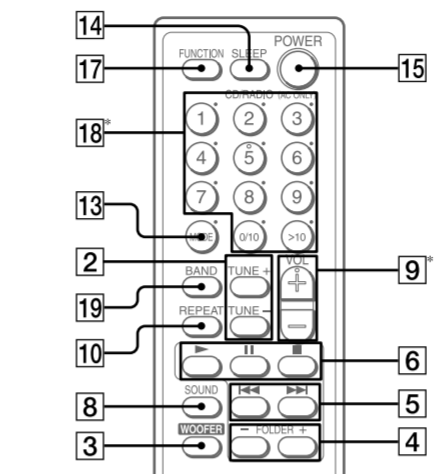
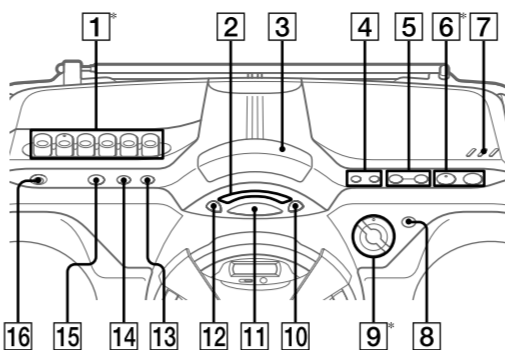
<b>FM recording</b>	
Sony R20P: approx. 6 h	
Sony alkaline LR20: approx. 18 h	
<b>Tape playback</b>	
Sony R20P: approx. 1.5 h	
Sony alkaline LR20: approx. 6 h	
<b>CD playback</b>	
Sony R20P: approx. 1 h	
Sony alkaline LR20: approx. 4 h	

Dimensions  
Approx. 530 × 241 × 369 mm (w/h/d) (incl. projecting parts)  
Mass  
Approx. 8.0 kg (incl. batteries)  
Supplied accessories  
AC power cord (1)  
Remote control (1)

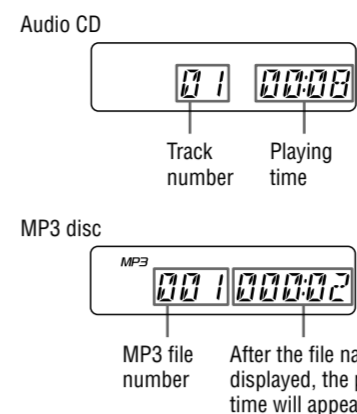
Design and specifications are subject to change without notice.

**Optional accessories**  
Sony MDR headphones series

## Basic Operations



\*VOL + [9], [▶] [6], [▶] [1] and 5 [8] on the remote have a tactile dot.



To	Press
Pause playback	[⏸] on the unit ([⏸] on the remote) [6]. To resume play, press it again.
Stop playback	[■] [6].
Go to the next track/MP3 file	[▶▶] [5].
Go back to the previous track/MP3 file	[◀◀] [5].
Select a folder on an MP3 disc	FOLDER + to go forward and FOLDER - to go backward [4].
Locate a point while listening to the sound	[▶] (forward) or [◀] (backward) [5] while playing and hold it until you find the point.
Locate a point while observing the display	[▶▶] (forward) or [◀◀] (backward) [5] in pause and hold it until you find the point.
Locate a specific track/MP3 file directly	The number button [8] of the track/MP3 file on the remote.
Remove the CD	[▲] PUSH OPEN/CLOSE [7].

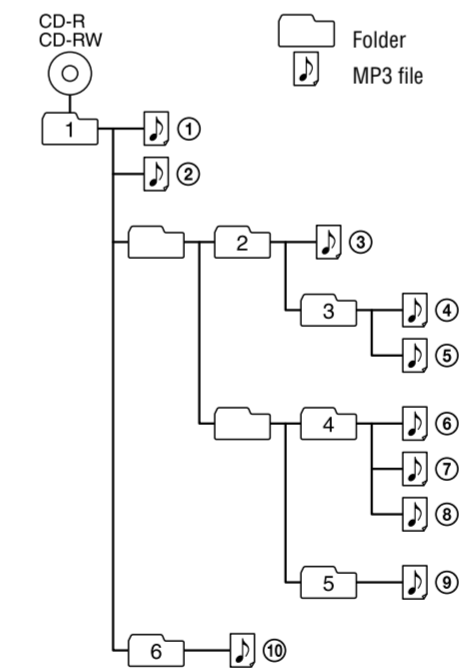
### Tips

- Playback starts from the track/MP3 file you last stopped playing (Resume play). During stop, the track/MP3 file number to be played is displayed.
- To cancel the resume play (to start play from the beginning of the first track/MP3 file), press [6] while the CD is stopped. When you open the CD compartment or turn off the unit, the resume play is also canceled.
- When you locate a track/MP3 file numbered over 10, press >10 [8] on the remote first, then the corresponding number buttons [8] on the remote.  
Example: To play track/MP3 file number 23, press >10 first, then 2 and 3.
- To select a track/MP3 file numbered 100 or more, press >10 [8] on the remote twice, then the corresponding number buttons [8] on the remote.

**Note**  
You cannot locate a specific track/MP3 file if "SHUF" or "PGM" is lit in the display. Turn off the indication by pressing [6].

### Example of folder structure and playing order

The playing order of the folders and files is as follows:



### Notes on MP3 discs

- When the disc is inserted, the unit reads all the files on that disc. During this time, "READING" is displayed. If there are many folders or non-MP3 files on the disc, it may take a long time for play to begin or for the next MP3 file to start play.
- We recommend that you do not save unnecessary folders or files other than MP3 ones in the disc to be used for MP3 listening.
- Locating a specific MP3 file using the number buttons [8] on the remote is only available for the MP3 files in the selected folder.
- A folder that does not include an MP3 file is skipped.
- Maximum number of folders: 255  
Maximum number of files: 255  
Maximum directory levels: 8
- Folder names and file names can be displayed with up to 64 characters including quotation marks and a 3-character extension code.
- The characters A - Z, a - z, 0 - 9, and \_ can be displayed on this unit. Other characters are displayed as "??".
- This unit conforms to Version 1.1 of the ID3 tag format. If the file has the ID3 tag information, "song title", "artist name" and "album name" can be displayed.
- When naming, be sure to add the file extension "mp3" to the file name.
- If you put the extension "mp3" to a file other than an MP3 file, the unit cannot recognize the file properly and will generate random noise that could damage your speakers.
- The file name does not correspond to the ID3 tag.

## Before using the unit

### To turn on/off the power

Press POWER [15].

### To adjust the volume

Press VOL +, - [9].

### To listen through headphones

Connect the headphones to the [headphones] jack [16].

### To select the sound characteristic

Press SOUND [8] repeatedly to select the audio emphasis you want.

Choose	To get
---	Powerful, clean sounds, emphasizing low and high range audio
---	Light, bright sounds emphasizing high and middle range audio
---	Percussive sounds, emphasizing bass audio
---	The presence of vocals, stressing middle range audio
---	The whole dynamic range for music such as classical music

### To reinforce the bass sound

Press POWER DRIVE WOOFER (WOOFER on the remote) [3] to select [WOOFER] or [WOOFER] on the display. [WOOFER] is more effective. When the WOOFER function works, the ring on the front panel lights up.

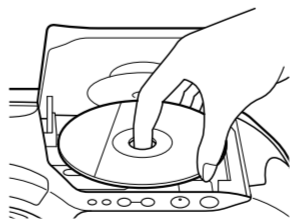
To return to normal sound, press the button repeatedly until the indication disappears from the display.

- Notes**
- While the sleeping timer is on, the ring does not light, even if the WOOFER function is used.
  - When you use the headphones, the WOOFER function does not work.

## Playing a CD/MP3 disc

1 Press [▲] PUSH OPEN/CLOSE [7] on the unit, and place a disc with the label side up on the CD compartment.

To close the CD compartment, press [▲] PUSH OPEN/CLOSE [7] on the unit.



2 Press [▶] on the unit ([▶] on the remote) [6].

The unit plays all the tracks/MP3 files once. When you place MP3 discs, "MP3" appears in the display after the unit reads the file information.

## Listening to the radio

- Press RADIO BAND•AUTO PRESET [11] on the unit (BAND [19] on the remote) repeatedly. Each time you press the button, the indication changes as follows:  
"FM" → "AM"
- Hold down TUNE + or - [2] until the frequency digits begin to change in the display. The unit automatically scans the radio frequencies and stops when it finds a clear station. If you cannot tune in a station, press TUNE + or - [2] repeatedly to change the frequency step by step. When an FM stereo broadcast is received, "ST" appears.

**Tip**  
If the FM broadcast is noisy, press MODE [13] until "Mono" appears in the display and the radio will play in monaural.

### Changing the AM tuning interval (Except for the Australian model)

If you need to change the AM tuning interval, do the following:

- Press RADIO BAND•AUTO PRESET [11] on the unit until "AM" is displayed.
- Press DISPLAY•ENTER•MEMORY [12] on the unit for 2 seconds.
- Press RADIO BAND•AUTO PRESET [11] on the unit for 2 seconds. "AM 9" or "AM 10" flashes.
- Press PRESET + or - [5] on the unit to select "AM 9" for 9 kHz interval or "AM 10" for 10 kHz interval.
- Press DISPLAY•ENTER•MEMORY [12] on the unit.

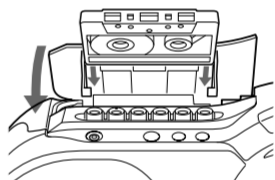
After changing the tuning interval, you need to reset your preset AM radio stations.

## Playing a tape

Use buttons on the unit for the operation.

- Press [▶] [1] on the unit, and insert the tape into the tape compartment with the side you want to play facing upward. Use TYPE I (normal) tape only. Close the compartment.

Make sure there is no slack in the tape to avoid damaging the tape or the unit.



- Press [▶] [1] on the unit.

The unit starts playing.

To	Press
Pause playback	[⏸] [1] on the unit. To resume play, press it again.
Stop playback	[■] [1] on the unit.
Fast-forward or rewind	[▶▶] or [◀◀] (fast forward or rewind) [1] on the unit.
Eject the cassette	[▲] [1] on the unit.

## Recording on a tape

Use buttons on the unit for the operation.

- Press [▶] [1] on the unit to open the tape compartment and insert a blank tape with the side you want to record on facing upward. Use TYPE I (normal) tape only. Close the compartment.
- Select the program source you want to record. To record from the CD player, press [6] on the unit and place a CD. To record from the radio, tune in the station you want (see "Listening to the radio").
- Press [●] [1] on the unit to start recording ([▶] is depressed automatically).

To	Press
Pause recording	[⏸] [1] on the unit. Press the button again to resume recording.
Stop recording	[■] [1] on the unit.

### Tips

- Adjusting the volume or the audio emphasis will not affect the recording level.
- For the best results, use the AC power as a power source for recording.
- To erase a recording, proceed as follows:  
1 Insert the tape whose recording you want to erase.  
2 Make sure that "TAPE" is displayed. ([H "TAPE" is not displayed, press [▶] [1] on the unit or press FUNCTION [17] on the remote until it appears in the display.)  
3 Press [●] [1] on the unit.

