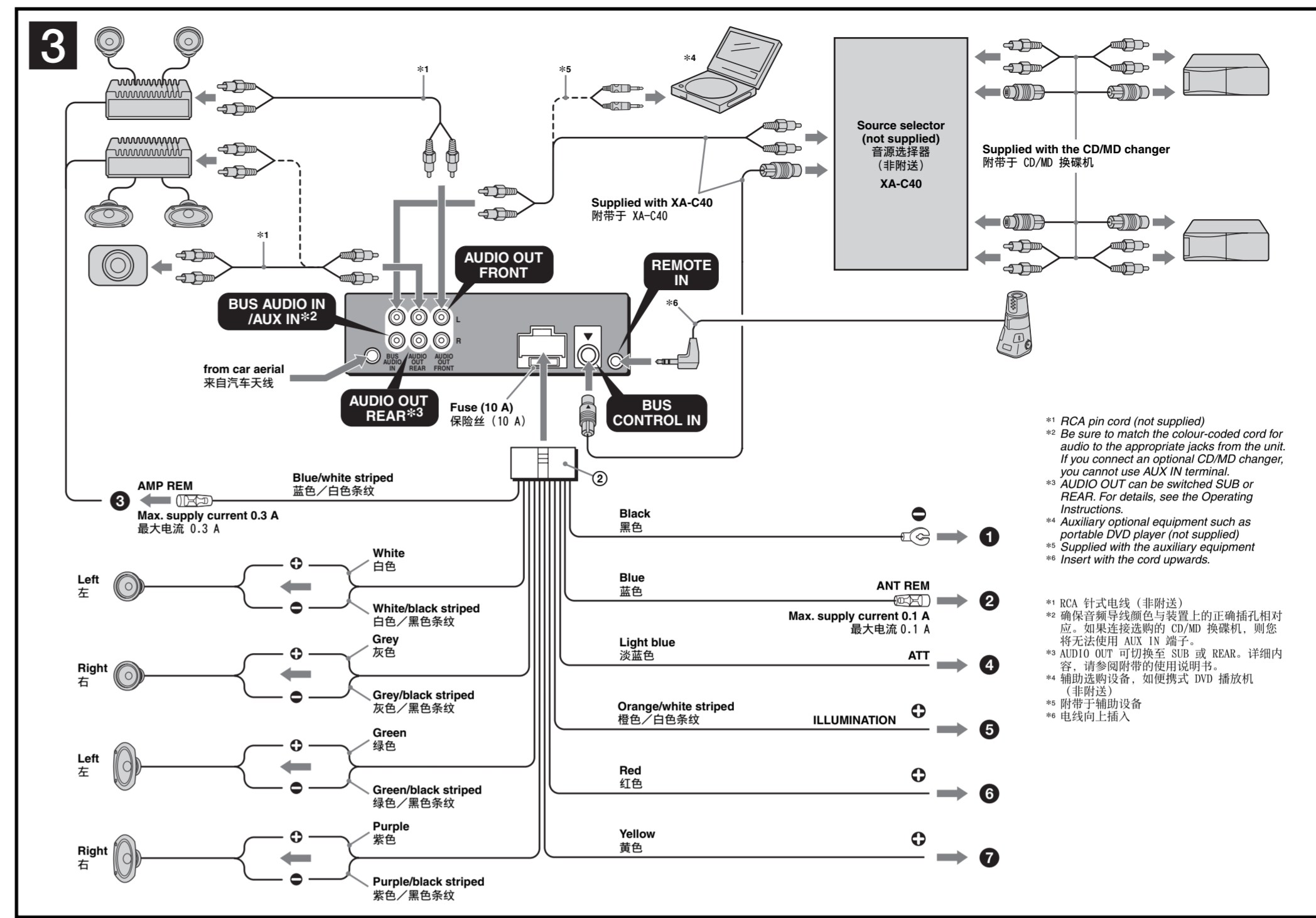
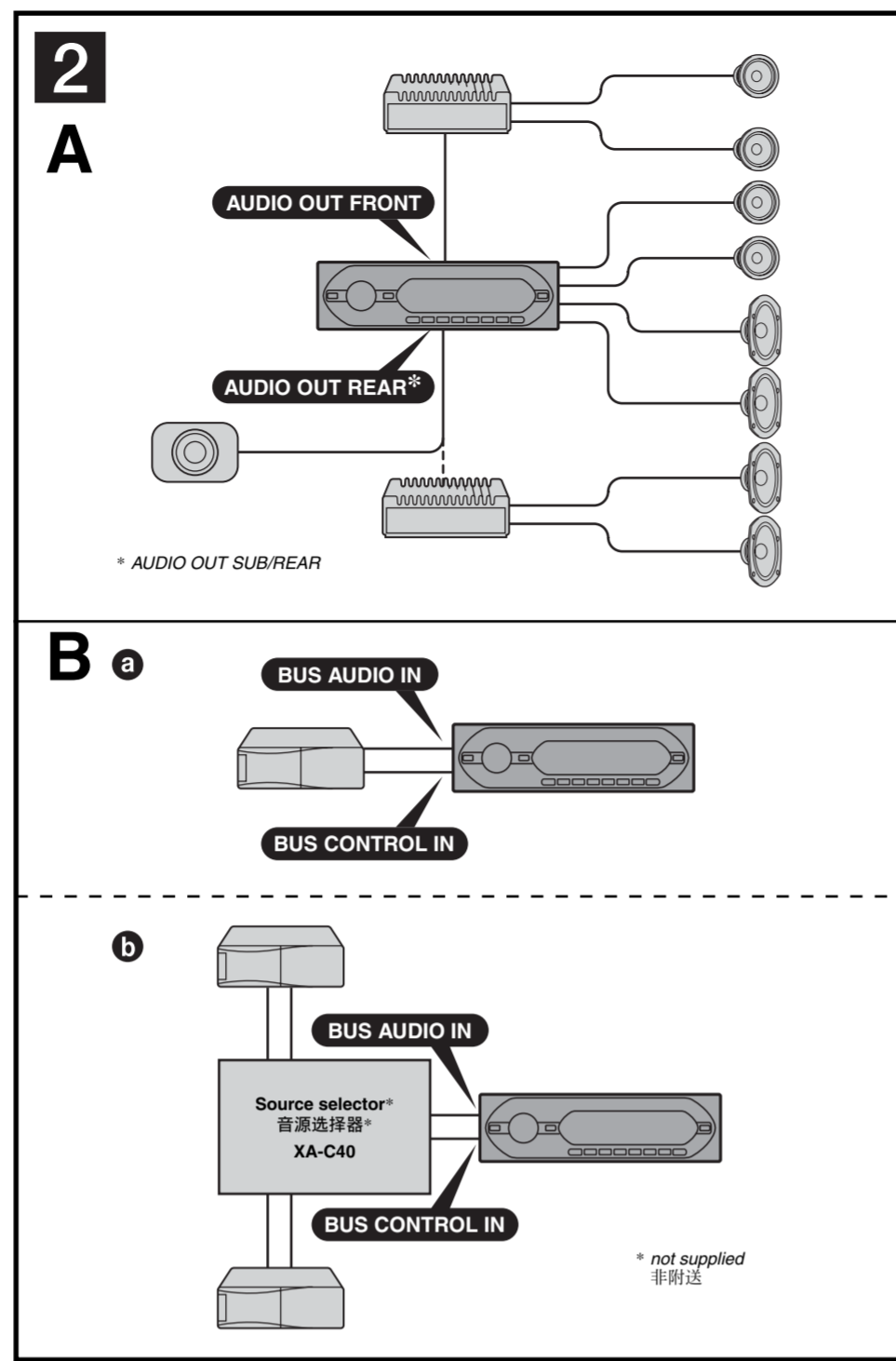


Network Audio System

Installation/Connections
安装/线路连接

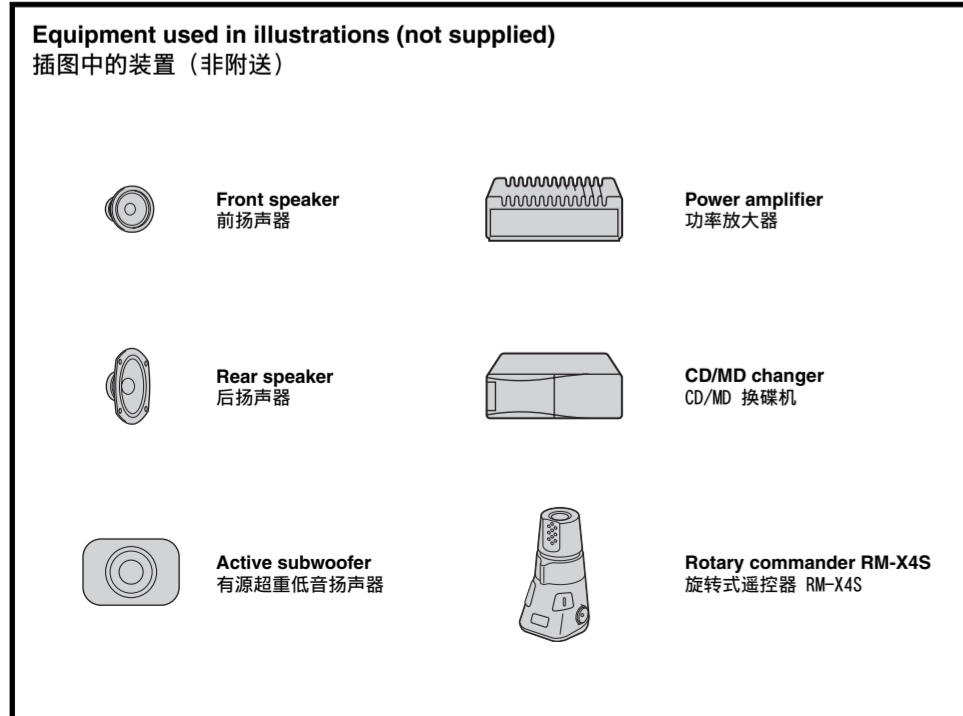
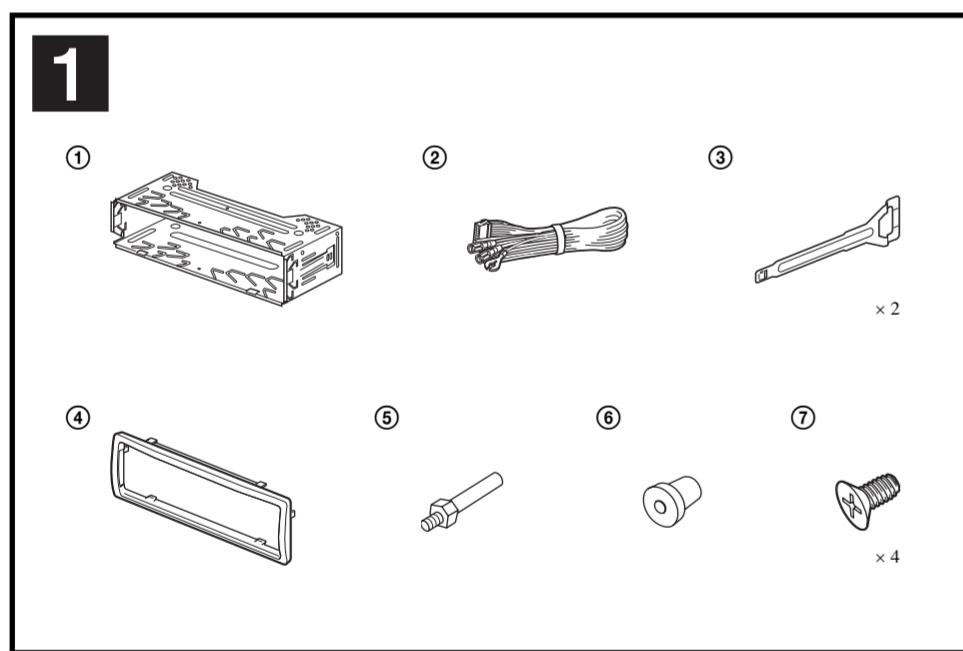
MEX-1GP

© 2006 Sony Corporation Printed in Thailand



*1 RCA pin cord (not supplied)
*2 Be sure to match the colour-coded cord for audio to the appropriate jacks from the unit. If you connect an optional CD/MD changer, you cannot use AUX IN terminal.
*3 AUDIO OUT can be switched SUB or REAR. For details, see the Operating Instructions.
*4 Auxiliary optional equipment such as portable DVD player (not supplied)
*5 Supplied with the auxiliary equipment
*6 Insert with the cord upwards.

*1 RCA 针式电线 (非赠送)
*2 确保音频导线颜色与装置上的正确插孔相对应。如果连接选购的 CD/MD 换碟机, 则您将无法使用 AUX IN 端子。
*3 AUDIO OUT 可切换至 SUB 或 REAR。详细内容, 请参阅附带的用户说明书。
*4 辅助选购设备, 如便携式 DVD 播放器 (非赠送)
*5 附属于辅助设备
*6 电线向上插入



Cautions

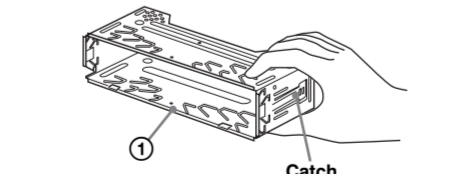
- This unit is designed for negative earth 12 V DC operation only.
- Do not get the leads under a screw, or caught in moving parts (e.g. seat railing).
- Before making connections, turn the car ignition off to avoid short circuits.
- Connect the **yellow** and **red** power input leads only after all other leads have been connected.
- Run all earth leads to a common earth point.**
- Be sure to insulate any loose unconnected leads with electrical tape for safety.

Notes on the power supply lead (yellow)
When connecting this unit in combination with other stereo components, the connected car circuit's rating must be higher than the sum of each component's fuse.

Parts list

- The numbers in the list are keyed to those in the instructions.
- The bracket ① and the protection collar ④ are attached to the unit before shipping. Before mounting the unit, use the release keys ③ to remove the bracket ① and the protection collar ④ from the unit. For details, see "Removing the protection collar and the bracket ④" on the reverse side of the sheet.
- Keep the release keys ③ for future use as they are also necessary if you remove the unit from your car.

Caution
Handle the bracket ① carefully to avoid injuring your fingers.



Note
Before installing, make sure that the catches on both sides of the bracket ① are bent inwards 2 mm. If the catches are straight or bent outwards, the unit will not be installed securely and may spring out.

Connection example

Notes (2-A)
• Be sure to connect the earth lead before connecting the amplifier.
• The alarm will only sound if the built-in amplifier is used.
Tip (2-B-D)
For connecting two or more CD/MD changers, the source selector XA-C40 (not supplied) is necessary.

Connection diagram

- To a metal surface of the car**
First connect the black earth lead, then connect the orange/white striped, yellow, and red power input leads.
- To the power aerial control lead or power supply lead of aerial booster amplifier**
Notes
• It is not necessary to connect this lead if there is no power aerial or aerial booster, or with a manually-operated telescopic aerial.
• When your car has a built-in FM/AM aerial in the rear/side glass, see "Notes on the control and power supply leads."
- To AMP REMOTE IN of an optional power amplifier**
This connection is only for amplifiers. Connecting any other system may damage the unit.
- To the interface cable of a car telephone**
- To a car's illumination signal**
Be sure to connect the black earth lead to a metal surface of the car first.
- To the +12 V power terminal which is energized in the accessory position of the ignition key switch**
Notes
• If there is no accessory position, connect to the +12 V power (battery) terminal which is energized at all times. Be sure to connect the black earth lead to a metal surface of the car first.
• When your car has a built-in FM/AM aerial in the rear/side glass, see "Notes on the control and power supply leads."
- To the +12 V power terminal which is energized at all times**
Be sure to connect the black earth lead to a metal surface of the car first.

Notes on the control and power supply leads

- The power aerial control lead (blue) supplies +12 V DC when you turn on the tuner.
- When your car has built-in FM/AM aerial in the rear/side glass, connect the power aerial control lead (blue) or the accessory power input lead (red) to the power terminal of the existing aerial booster. For details, consult your dealer.
- A power aerial without a relay box cannot be used with this unit.

Memory hold connection

When the yellow power input lead is connected, power will always be supplied to the memory circuit even when the ignition switch is turned off.

Notes on speaker connection

- Before connecting the speakers, turn the unit off.
- Use speakers with an impedance of 4 to 8 ohms, and with adequate power handling capacities to avoid its damage.
- Do not connect the speaker terminals to the car chassis, or connect the terminals of the right speakers with those of the left speaker.
- Do not connect the earth lead of this unit to the negative (-) terminal of the speaker.
- Do not attempt to connect the speakers in parallel.
- Connect only passive speakers. Connecting active speakers (with built-in amplifiers) to the speaker terminals may damage the unit.
- To avoid a malfunction, do not use the built-in speaker leads installed in your car if the unit shares a common negative (-) lead for the right and left speakers.
- Do not connect the unit's speaker leads to each other.

Note on connection

If speaker and amplifier are not connected correctly, "FAILURE" appears in the display. In this case, make sure the speaker and amplifier are connected correctly.

注意

- 本机只能使用负极接地的 12 V 直流电源。
- 勿使电线夹在螺钉下, 或缠在移动部件上 (如座椅扶手)。
- 连接线路之前, 请关闭汽车点火开关, 以避免短路。
- 只有连接了所有其他导线之后, 再连接黄色和红色电源输入导线。
- 将所有地线都连接到同一接地点。
- 为了安全, 请务必用绝缘胶带使所有松散未连接的电线绝缘。

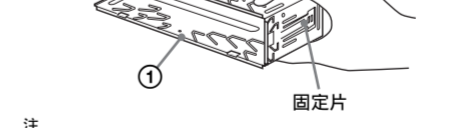
关于电源线 (黄色) 的注意事项

- 将本机与其它立体声装置组合使用时, 所连接的汽车电路容量必须大于各装置保险丝容量的总和。
- 当汽车电路容量不够大时, 请将本机直接与蓄电池相连接。

零件一览表

- 表中数字与说明书中的数字是一致的。
- 装卸支架 ① 和保护环 ④ 是运输之前装在本装置上的。安装本装置之前, 使用开锁钥匙 ③ 从本装置上取下装卸支架 ① 和保护环 ④。详细内容, 请参阅本页反面的 "拆卸保护环和装卸支架 (4)"。
- 保存好开锁钥匙 ③ 以备后用。您从汽车上取下本装置时, 有必要用到该钥匙。

注意
小心使用装卸支架 ① 以免伤到手指。



注
安装前, 请确认装卸支架 ① 两边的固定片向内弯曲 2 mm。如果固定片笔直或向外弯曲, 本装置将不能牢固安装并可能弹出。

线路连接图例

注 (2-A)
• 务必在连接放大器之前连接接地线。
• 只有在内置的放大器时, 警报才会发出声响。
提示 (2-B-D)
若要连接 2 台或更多 CD/MD 换碟机, 必须使用音源选择器 XA-C40 (非赠送)。

线路连接图

- 至汽车金属表面**
首先连接黑色接地导线, 然后连接橙色/白色条纹、黄色以及红色电源输入导线。
- 至电动天线控制导线或天线升缩放大器的电源导线**
• 如果没有电动天线或天线升缩器, 或有手动伸缩式天线, 则无需连接此导线。
• 若汽车的后/侧玻璃窗内有内置 FM/AM 天线, 请参阅 "关于控制导线和电源导线的注意事项"。
- 至选购的功率放大器的 AMP REMOTE IN**
此连接仅适用于功率放大器。连接其它系统可能损坏本机。
- 至车载电话接口电缆**
- 至汽车照明信号**
必须首先将黑色接地导线连接至汽车的金属表面。
- 至 +12 V 电源端子, 该端子在点火开关附件位置通电**
注
• 如果没有附件位置, 则连接至 +12 V 电源 (蓄电池) 端子。该端子随时处于通电状态。
• 确保首先将黑色接地导线连接至汽车金属表面。
• 若汽车的后/侧玻璃窗内有内置 FM/AM 天线, 请参阅 "关于控制导线和电源导线的注意事项"。
- 至 +12 V 电源端子, 该端子随时处于通电状态**
确保首先将黑色接地导线连接至汽车金属表面。

关于控制导线和电源导线的注意事项

- 接通调谐器电源时, 电动天线的控制导线 (蓝色) 便能提供 +12 V 直流电。
- 当汽车的后/侧玻璃窗上有内置 FM/AM 天线时, 请将电动天线控制线 (蓝色) 或辅助电源输入线 (红色) 连接至现有天线升缩器上的相应端子。详细说明, 请与您的经销商联系。
- 本机不能使用不具备微电脑芯片的电动天线。

保持记忆的线路连接法

当连接了黄色的电源输入导线时, 即使点火开关关闭, 电源仍将记忆电路供电。

关于扬声器连接的注意事项

- 连接扬声器之前, 请关闭本机电源。
- 请使用阻抗为 4-8 欧姆且具有足够功率处理能力的扬声器, 以免损坏。
- 勿将扬声器端子连接到汽车底盘上, 或将右扬声器的端子与左扬声器的端子连接。
- 勿将本机的接地线连接到扬声器的负极 (-) 端子上。
- 扬声器不可并联连接。
- 请仅连接无源扬声器。将带源扬声器 (具有内置放大器) 连接到扬声器端子可能会损坏本机。
- 若本机使用左、右扬声器的共用负极 (-) 电线, 为了避免故障, 切勿使用安装在汽车内的内置扬声器电线。
- 请勿将本机扬声器电线相互连接。

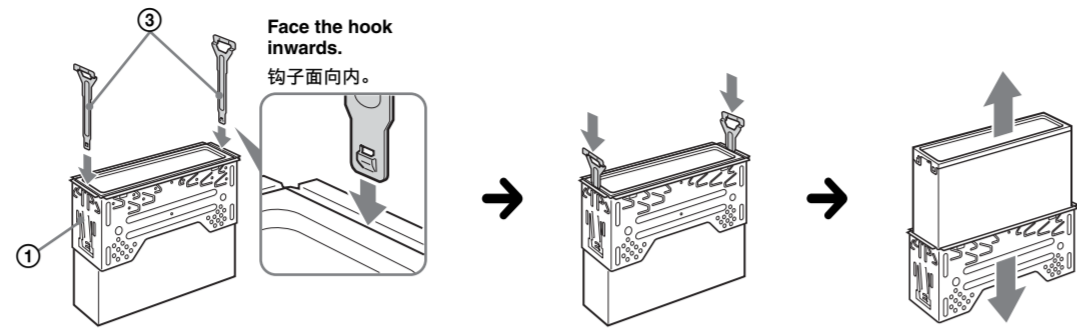
连接的注意事项

如果未正确连接扬声器和放大器, 则显示屏上会出现 "FAILURE"。这时, 请确保扬声器和放大器连接正确。

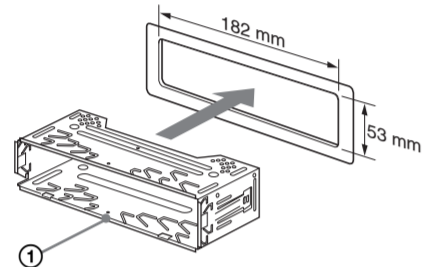
4 1



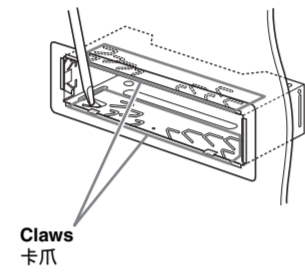
2



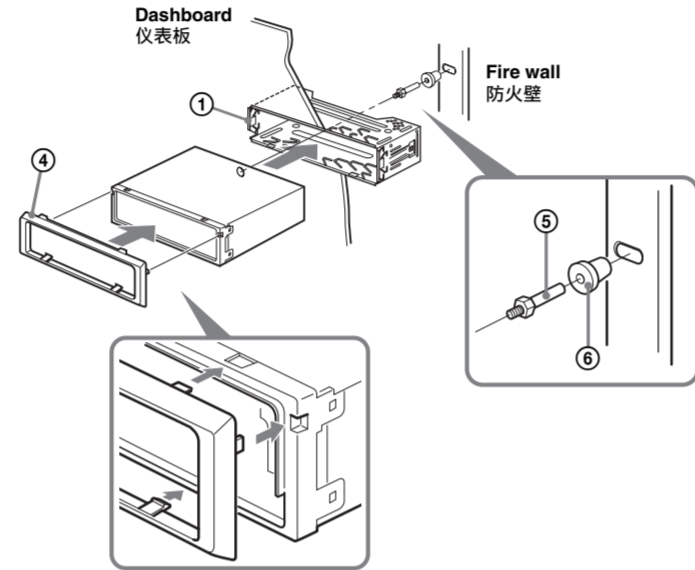
5 1



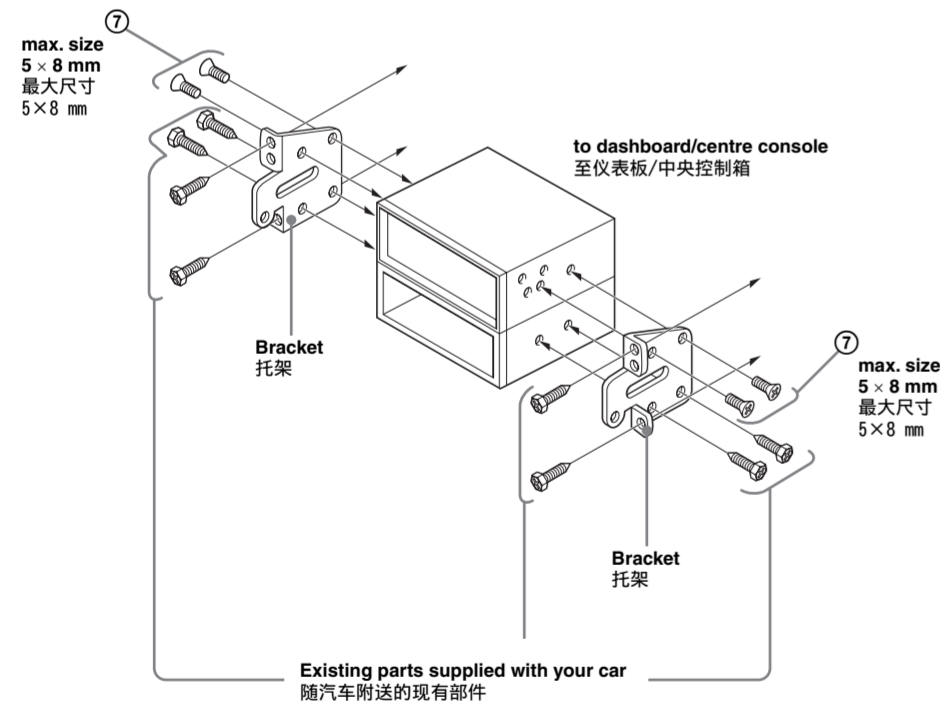
2



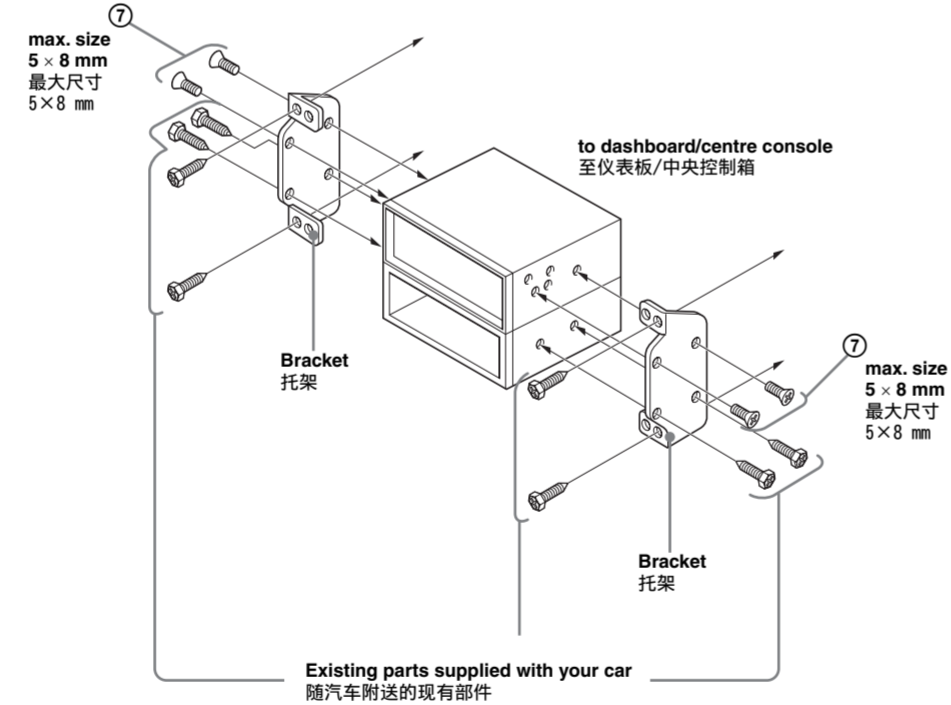
3



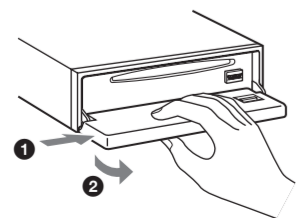
6 A TOYOTA



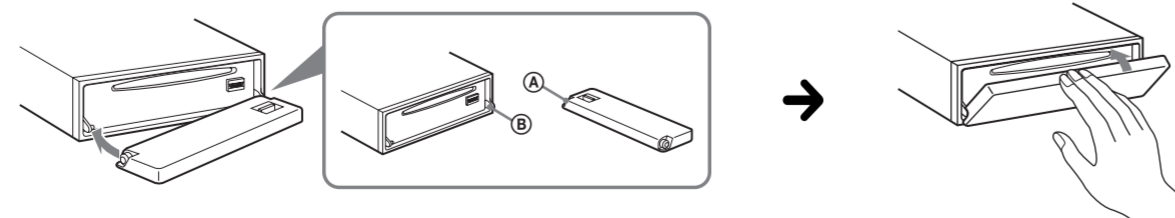
6 B NISSAN



7 A



7 B



Precautions

- Choose the installation location carefully so that the unit will not interfere with normal driving operations.
- Avoid installing the unit in areas subject to dust, dirt, excessive vibration, or high temperatures, such as in direct sunlight or near heater ducts.
- Use only the supplied mounting hardware for a safe and secure installation.

Mounting angle adjustment

Adjust the mounting angle to less than 45°.

Removing the protection collar and the bracket 4

Before installing the unit, remove the protection collar (3) and the bracket (1) from the unit.

1 Remove the protection collar (3).

- Engage the release keys (3) together with the protection collar (3).
- Pull out the release keys (3) to remove the protection collar (3).

2 Remove the bracket (1).

- Insert both release keys (3) together between the unit and the bracket (1) until they click.
- Pull down the bracket (1), then pull up the unit to separate.

Mounting example 5

Installation in the dashboard

- Notes**
- Bend these claws outward for a tight fit, if necessary (5-2).
 - Make sure that the 4 catches on the protection collar (3) are properly engaged in the slots of the unit (5-3).

Mounting the unit in a Japanese car 6

You may not be able to install this unit in some makes of Japanese cars. In such a case, consult your Sony dealer.

Note
To prevent malfunction, install only with the supplied screws (7).

How to detach and attach the front panel 7

Before installing the unit, detach the front panel.

7-A To detach

Before detaching the front panel, be sure to press (OFF). Press (OPEN), then slide the front panel to the right, and gently pull out the left end of the front panel.

7-B To attach

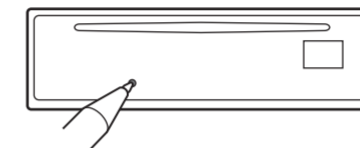
Place the hole (A) of the front panel onto the spindle (B) on the unit, then lightly push the left side in.

Warning if your car's ignition has no ACC position

After turning the ignition off, be sure to press and hold (OFF) on the unit until the display disappears. Otherwise, the display does not turn off and this causes battery drain.

RESET button

When the installation and connections are completed, be sure to press the RESET button with a ballpoint pen, etc., after detaching the front panel.



使用前注意事项

- 仔细选取安装位置，以便本装置不干扰正常的驾驶操作。
- 避免将本机安装在受灰尘、污物和强烈振动影响的区域，或安装在高温处，如直射阳光下或热气管道附近。
- 为了安装安全和可靠，只能使用附送的安装构件。

安装角度之调整

请在 45° 以内调整安装角度。

拆卸保护环和装卸支架 4

安装本装置之前，请先从本装置上取下保护环 (3) 和装卸支架 (1)。

1 拆卸保护环 (3)。

- 衔接开锁钥匙 (3) 和保护环 (3)。
- 拉出开锁钥匙 (3) 以取下保护环 (3)。

2 拆卸装卸支架 (1)。

- 将 2 个开锁钥匙 (3) 插入本装置和装卸支架 (1) 之间直到听见咯嗒声。
- 向下拉装卸支架 (1)，然后向上拉出本装置以便分离。

安装示例 5

安装在仪表板里

- 注**
- 如有必要，向外弯曲卡爪以紧固安装 (5-2)。
 - 请确保保护环 (3) 上的 4 个固定片与本装置的卡槽正确衔接 (5-3)。

将本机安装于日本产汽车上 6

有的日本产汽车不能安装本机。在这种情形下，请向 Sony 经销商咨询。

注
为防止发生故障，安装时只能使用附送的螺丝 (7)。

如何拆卸和装配前面板 7

安装本机之前，请先拆卸前面板。

7-A 拆卸

拆卸前面板前，请确定已按下 (OFF) 键。按下 (OPEN)，然后将前面板滑到右边，然后轻轻拉出前面板的左端。

7-B 装配

将前面板的孔 (A) 套到本装置的轴 (B) 上，然后轻轻推入左端。

您的汽车引擎没有 ACC 位置时的警告

关闭引擎后，必须按住本机上的 (OFF) 不放，直至显示消失。

否则，显示屏将一直开着从而消耗电池。

RESET 按钮

当安装和连接完成，取下前面板后，务请用圆珠笔等按压 RESET 按钮。

