

Wireless Stereo Headphone System

Operating Instructions

MDR-RF885RK

WARNING

To prevent fire or shock hazard, do not expose the unit to rain or moisture.

To prevent fire or shock hazard, do not place objects filled with liquids, such as vases, on the apparatus.

To avoid electrical shock, do not open the cabinet. Refer servicing to qualified personnel only.

Do not install the appliance in a confined space, such as a bookcase or built-in cabinet.



Hereby, Sony Corp., declares that this equipment is in compliance with the essential requirements and other relevant provisions of Directive 1999/5/EC.

For details, please access the following URL :
<http://www.compliance.sony.de/>



Disposal of Old Electrical & Electronic Equipment (Applicable in the European Union and other European countries with separate collection systems)

This symbol on the product or on its packaging indicates that this product shall not be treated as household waste.

Instead it shall be handed over to the applicable collection point for the recycling of electrical and electronic equipment. By ensuring this product is disposed of correctly, you will help prevent potential negative consequences for the environment and human health, which could otherwise be caused by inappropriate waste handling of this product. The recycling of materials will help to conserve natural resources. For more detailed information about recycling of this product, please contact your local city office, your household waste disposal service or the shop where you purchased the product.

Welcome!

Thank you for purchasing the Sony MDR-RF885RK Wireless Stereo Headphone System. Before operating the unit, please read this manual thoroughly and retain it for future reference.

Some features are:

- Wireless system that allows you to listen to a program free from the restriction of a cord
- Compatible with supplied rechargeable battery and AAA dry battery
- High-quality open air type headphones with 30mm driver units.
- Wireless headphone system with automatic recharging function
- Up to 100 meters reception range

Notes on receiving performance

This system utilizes very high frequency signals in the 800 MHz band so the receiving performance may deteriorate due to the surroundings. The following examples illustrate conditions that may reduce the reception range or cause interference.

- Inside a building with walls containing steel beams.
- An area with many steel file cabinets, etc.
- An area with many electrical appliances capable of generating electromagnetic fields.
- The transmitter is placed on a metal instrument.
- An area facing a roadway.
- Noise or interfering signals exist in the surroundings due to radio transceivers in trucks, etc.
- Noise or interfering signals exist in the surroundings owing to wireless communication systems installed along roadways.

Table of contents

Getting started

| | |
|--|---|
| Unpacking | 4 |
| Charging the supplied rechargeable battery | 4 |
| Setting up the transmitter | 7 |

Operating the system

| | |
|---|----|
| Listening to a program | 9 |
| Effective coverage of the transmitter | 11 |
| Replacing the ear pads | 11 |

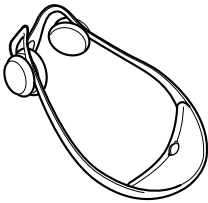
Additional information

| | |
|-----------------------|----|
| Precautions | 12 |
| Troubleshooting | 12 |
| Specifications | 13 |

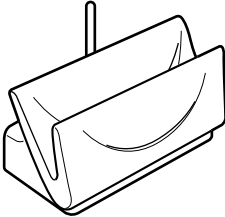
Unpacking

Check that you have the following items:

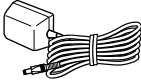
- The headphones (1)



- The transmitter (1)



- AC power adaptor (1)



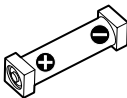
- Unimatch plug adaptor (1) (stereo mini jack ↔ stereo phone plug)



- Connecting cord (1) (phono plugs ↔ stereo mini plug), 1 m



- Rechargeable nickel-metal hydride battery (1)

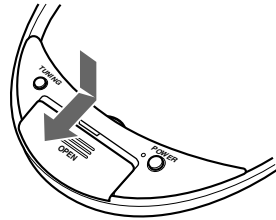


Charging the supplied rechargeable battery

The supplied rechargeable nickel-metal hydride battery is not charged from the first time you use it. Be sure to charge it before use.

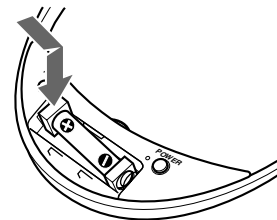
To charge the headphones, place them on the transmitter.

- 1** Open the battery compartment lid.



- 2** Insert the supplied rechargeable nickel-metal hydride battery into the battery compartment matching the ⊕ terminals on the battery to the ⊕ marks in the compartment.

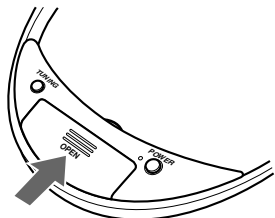
Do not use rechargeable battery other than the supplied one.



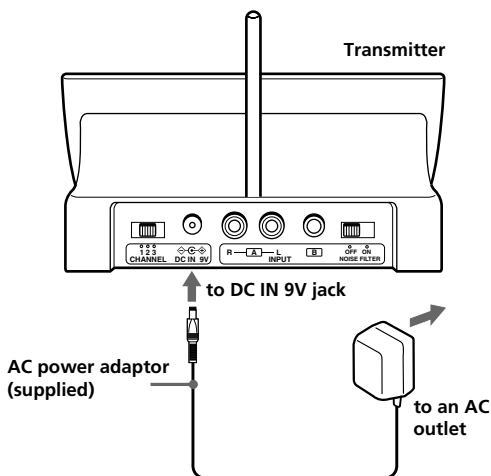
Notes

- When the battery is inserted, the headphones turn on and the power indicator lights in red.
- The power indicator may not light up if charging has not completed.

3 Close the battery compartment lid.

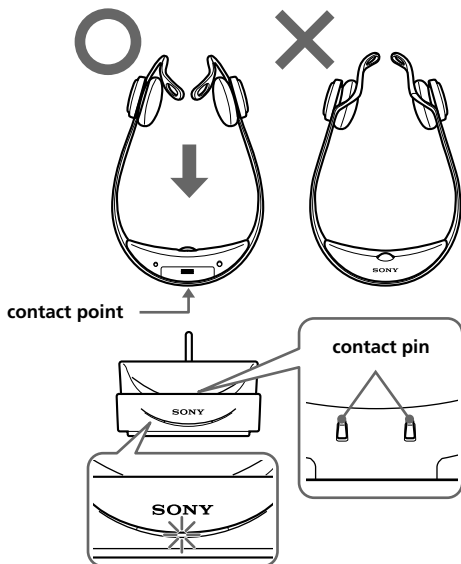


4 Connect the supplied AC power adaptor to the transmitter.



5 Rest the headphones on the transmitter so that the headphones' contact point meets the transmitter's contact pin while making sure that the charging indicator lights in red.

Charging is completed in about 16 hours and the charging indicator goes off.



When the indicator does not light in red

Check if the headphones are rested on the transmitter correctly. The indicator will not light in red and if the headphones' contact point does not meet the transmitter's contact pin resulting in no charge. Remove the headphones and replace them on the transmitter again so that the indicator lights in red.

To recharge the headphone battery after use

Place the headphones on the transmitter after use. Since the built-in timer recognizes when charging is complete, there is no need to remove the headphones from the transmitter after charging.

Notes

- The transmitter automatically turns off while charging the battery.
- This system is designed to charge only the supplied rechargeable battery type BP-HP550 for safety. Note that other types of rechargeable battery cannot be charged with this system.
- If dry battery is installed, it cannot be charged.
- Do not attempt to use the supplied BP-HP550 rechargeable battery for other components. It is for use with this system only.
- Charge in an environmental temperature of between 0°C and 40°C (between 32°F and 104°F).

Continue to next page

Charging and usage hours

| Approx. charging hours | Approx. usage time*1 |
|------------------------|----------------------|
| 16 hours*2 | 7 hours*3 |

*1 at 1 kHz, 1 mW+1 mW output

*2 hours required to fully charge empty battery

*3 Time stated above may vary, depending on the temperature or conditions of use.

Using the headphones with dry battery (sold separately)

Commercially available (size AAA) dry battery can also be used to power the headphones.

Install the battery in the same manner as described in steps 1 through 3 of "Charging the supplied rechargeable battery" (See page 4).

When dry battery is installed, the battery charge function is not activated.

Battery life

| Battery | Approx. hours*1 |
|------------------------------------|-----------------|
| Sony alkaline battery LR03/AM-4(N) | 12 hours*2 |

*1 at 1 kHz, 1 mW+1 mW output

*2 Time stated above may vary, depending on the temperature or conditions of use.

Notes on Battery

- Do not charge a dry battery.
- Do not carry a dry battery together with coins or other metallic objects. It can generate heat if the positive and negative terminals of the battery accidentally come into contact with metallic objects.
- If you are not going to use the unit for a long time, remove the battery to avoid damage from battery leakage or corrosion.

Checking the remaining battery power

Check that the power indicator turns on and off each time you press the POWER button. The battery is still serviceable when the indicator lights in red.

Charge the rechargeable battery or install a new dry battery if the power indicator dims, flashes, or does not light up, or the sound becomes distorted or noisy.

Note

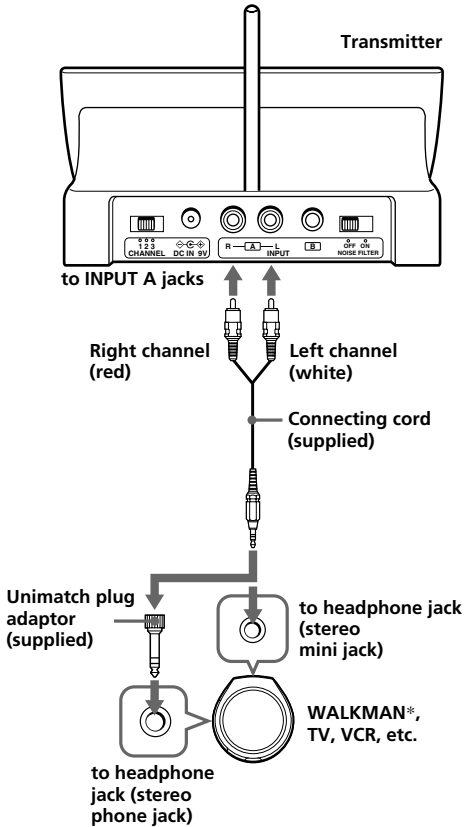
The rechargeable nickel-metal hydride battery should be replaced with new one when it lasts only half the expected time after a proper recharging. The rechargeable battery type BP-HP550 is not commercially available. You can order the battery from the store where you purchased this system, or at your nearest Sony dealer.

Setting up the transmitter

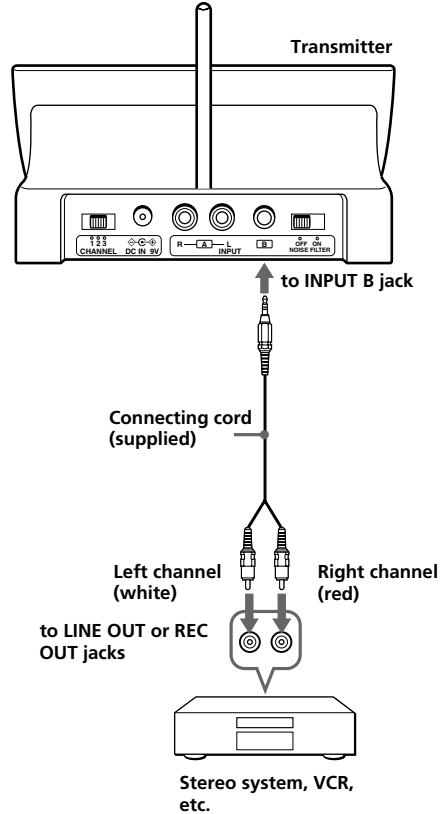
1 Connect the transmitter to audio/video equipment.

Select one of the hookups below depending on the jack type:

A To connect to a headphone jack



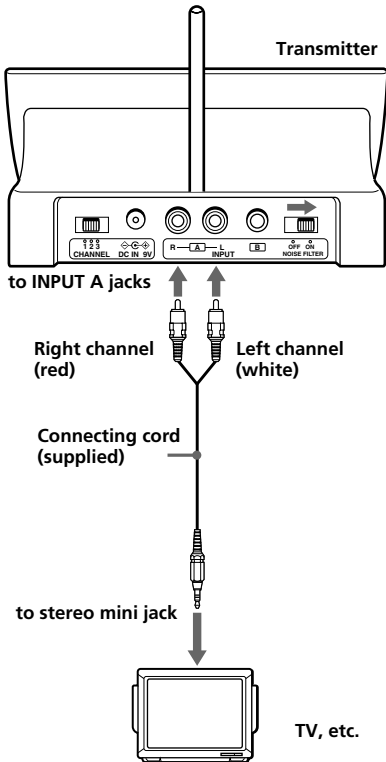
B To connect to LINE OUT or REC OUT jacks



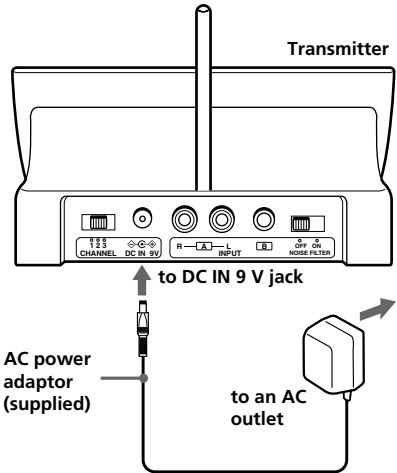
* WALKMAN is a registered trademark of Sony Corporation to represent Headphone Stereo products.

© To connect to TV, etc.

If noise occurs when the transmitter is connected to your TV or VCR, set the NOISE FILTER switch to ON.



2 Connect the supplied AC power adaptor to the transmitter.



Notes

- Use only the supplied AC power adaptor. Do not use any other AC power adaptor.



Polarity of the plug

- If the connected equipment has the AVLS (Automatic Volume Limiter System) function, be sure to turn the function off when using the transmitter. Otherwise, you will have to turn up the volume of the headphones, and that may cause noise.

Notes

- If you connect the transmitter to LINE OUT or REC OUT jacks of an audio reproducer such as an MD player or CD player, do not set the NOISE FILTER switch to ON. Otherwise, volume will be limited.
- The NOISE FILTER switch is active only in the case of the connection shown in diagram ① on page 7 and ③. In diagram ②, the switch has no effect.
- When the transmitter is placed on or near a TV, it may pick up a noise. In such a case, place the transmitter away from the TV.

▶ Operating the system

Listening to a program

Before listening

To prevent your ears from being damaged, first lower the volume.

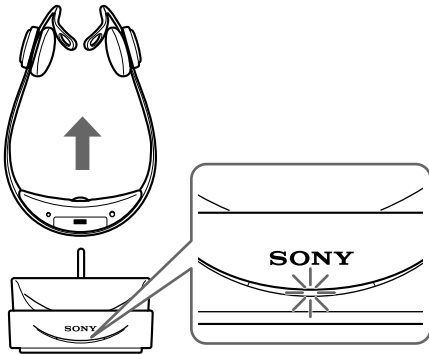
1 Turn on the audio/video equipment connected to the transmitter.

If the transmitter is connected to the headphone jack, set the volume control of the audio source equipment as high as possible but not so high that the audio signal becomes distorted.

2 Remove the headphones from the transmitter.

The transmitter's power indicator will light in green.

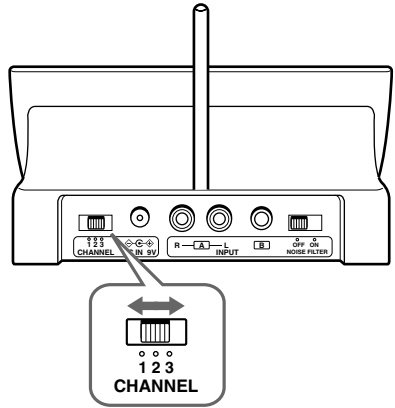
The headphones turn on automatically and the power indicator lights in red.



Note

If you are not going to use the headphones for the time being, turn them off by pressing the POWER button.

3 Select the radio frequency with the CHANNEL selector switch.



4 Put on the headphones.

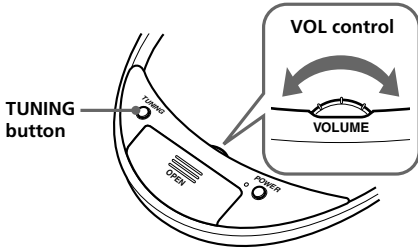
Be sure to put the right housing (R) on your right ear and the left housing (L) on your left ear.



5 Turn up the volume to a moderate level with the VOL control.

Press the TUNING button briefly for automatic tuning of the headphones.

If you do not receive a clear audio signal, press it again.



Follow steps 3 and 5 above until the receiving performance becomes better.

Sending RF signals from the transmitter

The transmitter starts sending RF signals automatically when it detects an audio signal from the equipment connected.

If it does not detect an audio signal for more than about four minutes, the transmitter will stop sending RF signals, and the power indicator will turn off.

When the transmitter receives an audio signal again, it starts sending the RF signals, and the power indicator will light in green again.

If the audio signal is very weak, the transmitter does not send RF signals. If the transmitter is connected to a headphone jack, make sure the volume of the equipment connected is set to 5 – 6 or higher.

You may not hear the beginning of the sound from the headphones until the transmitter starts sending the RF signals after detecting an audio signal.

Notes

- If hiss is heard, move closer to the transmitter.
- You may hear some noise when you disconnect the AC power adaptor from the transmitter before taking off the headphones.

Effective coverage of the transmitter

The maximum distance is up to approximately 100 m without the system picking up any interference. However, the distance may vary according to the surroundings and environment. If the system picks up some noise while using it within the above mentioned distance, reduce the distance between the transmitter unit and the headphones, or select another channel.

Notes

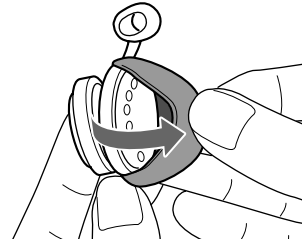
- When you use the headphones inside the effective areas of the transmitter, the transmitter can be placed in any direction from the listener.
- Even within the signal reception area, there are some spots (dead spot) where the RF signal can not be received. This characteristics is inherent to RF signals, and does not indicate malfunction. By slightly moving the transmitter, location of the dead spot can be changed.

Replacing the ear pads

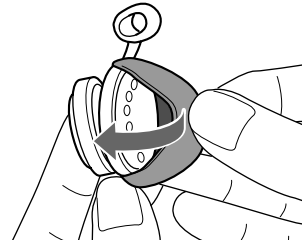
The ear pads are replaceable. If the ear pads become dirty or worn out, replace them as illustrated below.

The ear pad is not commercially available. You can order replacements from the store where you purchased this system, or at your nearest Sony dealer.

- 1 Remove the old ear pad by pulling it out of the groove on the housing.**



- 2 Place the new ear pad on the driver unit and insert the edge of the pad into the groove as illustrated.**



Make sure that the entire edge of the ear pad is securely inserted into the groove.

Precautions

- If the transmitter is not to be used for a long period of time, disconnect the AC power adaptor from the AC outlet by holding the plug. Do not pull on the cord.
- Do not leave the wireless stereo headphone system in a location subject to direct sunlight, heat or moisture.

Notes on headphones

Preventing hearing damage

Avoid using headphones at high volume.

Hearing experts advise against continuous, loud and extended play. If you experience a ringing in your ears, reduce the volume or discontinue use.

Caring for others

Keep the volume at a moderate level. This will allow you to hear outside sounds and to be considerate to the people around you.

If you have any questions or problems concerning the system that are not covered in this manual, please consult the nearest Sony dealer.

Be sure to bring the headphones and the transmitter to the Sony dealer when requiring repair work.

Troubleshooting

| Problem | Solution |
|-------------------------------|---|
| No sound/ Muffled sound | Check the connection of the audio/video equipment or the AC power adaptor. <hr/> Check that the audio/video equipment is turned on. <hr/> If the transmitter is connected to the headphones jack, turn up the volume of the connected audio/video equipment. <hr/> Change the radio frequency with the CHANNEL selector switch on the transmitter, then press the TUNING button again. <hr/> The mute function is activated. Use the headphones near the transmitter. <hr/> The headphones' power indicator light is weak or turned off. <ul style="list-style-type: none">• Charge the supplied rechargeable battery or if the power indicator is still off after charging the supplied rechargeable battery, take the headphones to a Sony dealer for replacement of the rechargeable battery. <hr/> If you connect the transmitter to the LINE OUT or REC OUT jacks of an audio reproducer, make sure that the NOISE FILTER switch is set to OFF. <hr/> Make sure that the NOISE FILTER switch is set to either ON or OFF. (If the switch gets stuck between ON and OFF, the sound will be cut off.) |

| Problem | Solution |
|-----------------------|--|
| Distortion | If the transmitter is connected to the headphone jack, reduce the volume of the connected audio/video equipment. |
| | Change the radio frequency with the CHANNEL selector switch on the transmitter. |
| | The headphones' power indicator light is weak or turned off. <ul style="list-style-type: none"> • Charge the supplied rechargeable battery or if the power indicator is still off after charging the supplied rechargeable battery, take the headphones to a Sony dealer for replacement of the rechargeable battery. |
| Loud background noise | If you connect the transmitter to the LINE OUT or REC OUT jacks of an audio reproducer, make sure that the NOISE FILTER switch is set to OFF. |
| | Move closer to the transmitter. As you move away from the transmitter, more noise is likely to be heard. |
| | If the transmitter is connected to the headphones jack, turn up the volume of the connected audio/video equipment. |
| | Change the radio frequency with the CHANNEL selector switch on the transmitter, then press the TUNING button again. |
| | The headphones' power indicator light is weak or turned off. <ul style="list-style-type: none"> • Charge the supplied rechargeable battery or if the power indicator is still off after charging the supplied rechargeable battery, take the headphones to a Sony dealer for replacement of the rechargeable battery. |
| | If you connect the transmitter to the LINE OUT or REC OUT jacks of an audio reproducer, make sure that the NOISE FILTER switch is set to OFF. |

Specifications

General

| | |
|--------------------|-------------------|
| Carrier frequency | 863.5 – 864.5 MHz |
| Channel | Ch1, Ch2, Ch3 |
| Modulation | FM stereo |
| Frequency response | 20 – 20,000 Hz |

Transmitter TMR-RF885R

| | |
|--------------|--|
| Power source | DC 9 V: supplied AC power adaptor |
| Input | INPUT A phono jacks INPUT B stereo mini jack |
| Dimensions | Approx. 140 × 70 × 75 mm (5 ⁵ / ₈ × 2 ⁷ / ₈ × 3 in.) (w/h/d) |
| Mass | Approx. 145 g (5.1 oz.) |

Headphones MDR-RF885R

| | |
|--------------|--|
| Power source | Supplied rechargeable nickel-metal hydride battery BP-HP550 or commercially available (size AAA) dry battery |
| Mass | Approx. 80 g (2.8 oz.) incl. battery |

Design and specifications are subject to change without notice.



Svenska

Härmed intygar Sony Corp. att detta högtalarsystem står i överensstämmelse med de väsentliga egenskapskrav och övriga relevanta bestämmelser som framgår av direktiv 1999/5/EG. Mer information finns på webbadressen:
<http://www.compliance.sony.de/>

Dansk

Undertegnede, Sony Corp., erklærer herved, at følgende udstyr overholder de væsentlige krav og øvrige relevante krav i direktiv 1999/5/EF.
Yderligere oplysninger findes på <http://www.compliance.sony.de/>

Suomi

Sony Corp. vakuuttaa täten, että tämä laite on direktiivin 1999/5/EY oleellisten vaatimusten ja sitä koskevien direktiivin muiden ehtojen mukainen.
Lisätietoja on seuraavassa Web-sivustossa:
<http://www.compliance.sony.de/>

Norsk

Herved erklærer Sony Corp. at dette utstyret er i overensstemmelse med vesentlige krav og andre relevante bestemmelser som fremgår av direktiv 1999/5/EC.
Gå til denne URL-en for mer informasjon:
<http://www.compliance.sony.de/>

Ελληνικά

ΜΕ ΤΗΝ ΠΑΡΟΥΣΑ Η Sony Corp. ΔΗΛΩΝΕΙ ΟΤΙ Η ΣΥΣΚΕΥΗ ΣΥΜΜΟΡΦΟΝΕΤΑΙ ΠΡΟΣ ΤΙΣ ΟΥΣΙΩΔΕΙΣ ΑΠΑΙΤΗΣΕΙΣ ΚΑΙ ΤΙΣ ΛΟΙΠΕΣ ΣΧΕΤΙΚΕΣ ΔΙΑΤΑΞΕΙΣ ΤΗΣ ΟΔΗΓΙΑΣ 1999/5/ΕΚ.
Για περισσότερες λεπτομέρειες, παρακαλούμε να επισκεφθείτε την παρακάτω ηλεκτρονική διεύθυνση (URL):
<http://www.compliance.sony.de/>

Français

Par la présente, Sony Corp. déclare que cet appareil est conforme aux exigences essentielles et aux autres dispositions pertinentes de la directive 1999/5/CE.
Pour de plus amples informations, veuillez vous reporter à l'URL suivante : <http://www.compliance.sony.de/>

Deutsch

Hiermit erkläre die Sony Corporation, dass sich dieses Gerät in Übereinstimmung mit den grundlegenden Anforderungen und den anderen relevanten Vorschriften der Richtlinie 1999/5/EG befindet. Erläuterungen dazu finden Sie unter folgendem URL:
<http://www.compliance.sony.de/>

Español

Por medio de la presente, Sony Corp. declara que el equipo cumple con los requisitos esenciales y cualesquiera otras disposiciones aplicables o exigibles de la Directiva 1999/5/CE.
Para obtener más información, visite la dirección URL siguiente:
<http://www.compliance.sony.de/>

Nederlands

Hierbij verklaart Sony Corp. dat dit toestel in overeenstemming is met de essentiële eisen en de andere relevante bepalingen van richtlijn 1999/5/EG.
Ga naar de volgende URL voor meer informatie:
<http://www.compliance.sony.de/>

Italiano

Con la presente Sony Corp. dichiara che questo apparecchio è conforme ai requisiti essenziali ed alle altre disposizioni pertinenti stabilite dalla direttiva 1999/5/CE.
Per ulteriori informazioni, accedere al seguente indirizzo URL:
<http://www.compliance.sony.de/>

Português

A Sony Corp., declara que este equipamento está conforme com os requisitos essenciais e outras provisões da directiva 1999/5/CE.
Para saber mais pormenores, aceda ao seguinte URL :
<http://www.compliance.sony.de/>