

Radio Cassette-Corder

Operating Instructions

使用說明書

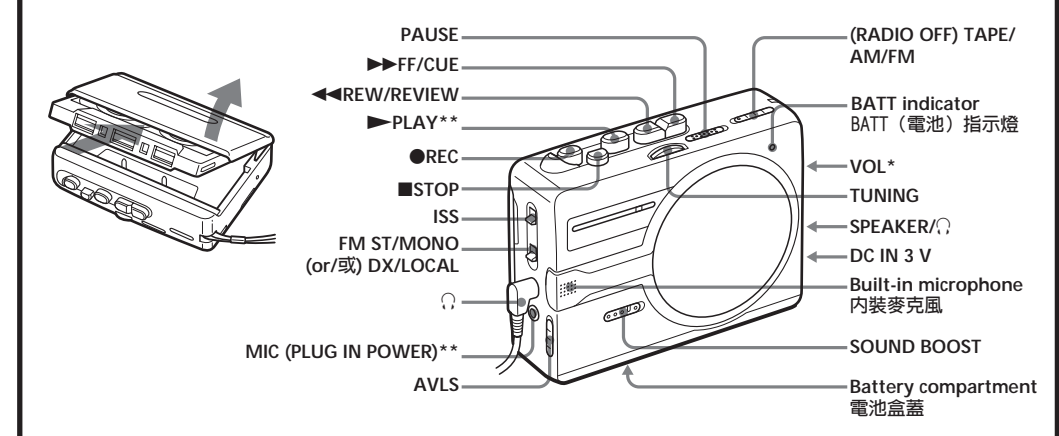
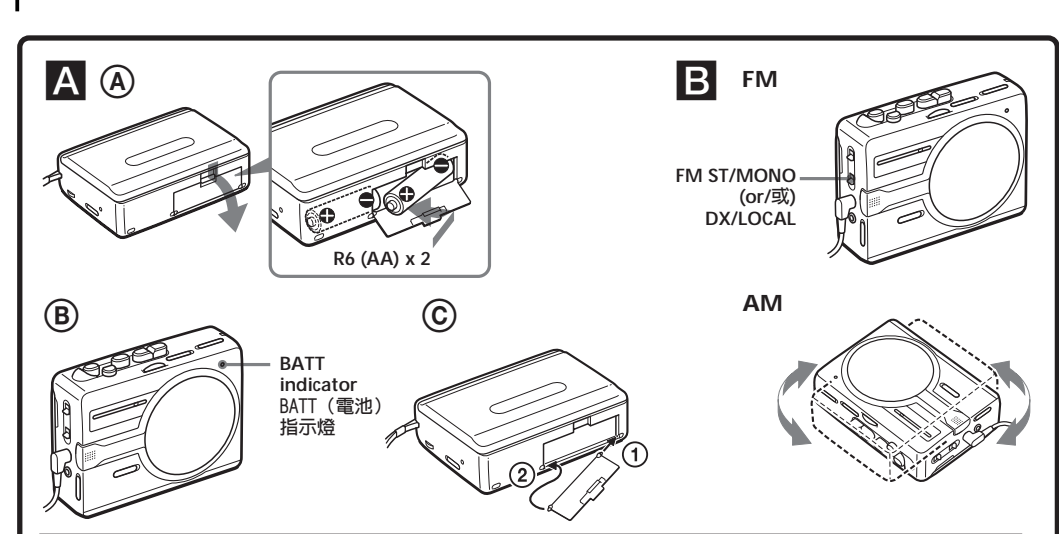
사용 설명서(뒷면)

تعليمات التشغيل(على الوجه الخلفي)



WM-SR10

©2002 Sony Corporation Printed in China



- * There is a tactile dot beside VOL on the main unit to show the direction to turn up the volume.
- ** The button/jack has a tactile dot.

- * 在主機上VOL旁邊有一個觸感圓點，表示轉大音量的方向。
- ** 按鈕／插孔有觸感圓點。

Specifications	Battery life* (approximate hours)																		
Frequency range <div>FM: 65.0 - 107.9 MHz (Eastern Europe)<div>87.5 - 108 MHz (Italy and Saudi Arabia)</div><div>87.6 - 108 MHz (North, Central and South America)</div><div>87.6 - 107.9 MHz (Other countries)</div>AM: 526.5 - 1 606.5 kHz (Italy and Saudi Arabia)<div>530 - 1 710 kHz (North, Central and South America)</div><div>531 - 1 602 kHz (Other countries)</div></div>	<table><tbody><tr><td></td><td>Sony alkaline LR6(SG)**</td><td>Sony R6P(SR)</td></tr><tr><td>(using headphones/earphones)</td><td></td><td></td></tr><tr><td>Tape playback</td><td>24</td><td>7</td></tr><tr><td>Radio reception</td><td>48</td><td>15</td></tr><tr><td>Mic recording</td><td>20</td><td>4.5</td></tr><tr><td>Radio recording</td><td>12</td><td>3</td></tr></tbody></table>		Sony alkaline LR6(SG)**	Sony R6P(SR)	(using headphones/earphones)			Tape playback	24	7	Radio reception	48	15	Mic recording	20	4.5	Radio recording	12	3
	Sony alkaline LR6(SG)**	Sony R6P(SR)																	
(using headphones/earphones)																			
Tape playback	24	7																	
Radio reception	48	15																	
Mic recording	20	4.5																	
Radio recording	12	3																	
Frequency response <div>Playback: 40 - 15 000 Hz</div> Recording: 100 - 8 000 Hz																			

規格

頻率範圍	Battery life* (大約時數)
<div>FM: 65.0–107.9MHz (東歐)<div>87.5–108MHz (意大利、沙烏地阿拉伯)</div><div>87.6–108MHz (北美、中美洲和南美洲)</div><div>87.6–107.9MHz (其他國家)</div>AM: 526.5–1 606.5kHz (意大利、沙烏地阿拉伯)</div> <div>530–1 710kHz (北美、中美洲和南美洲)</div> <div>531–1 602kHz (其他國家)</div>	

http://www.sony.net/

"WALKMAN" is a registered trademark of Sony Corporation to represent Headphone Stereo products.

WALKMAN is a trademark of Sony Corporation.

English	
To	Press/switch
Pause a recording	PAUSE
Stop recording	■ STOP
Start recording during playback	● REC during playback
playback	

Replace the batteries with new ones when the BATT indicator dims. **A-ⓐ**

Note
For maximum performance we recommend that you use Sony alkaline batteries.

To attach the battery compartment lid, if it is accidentally detached
Attach it as illustrated. **A-Ⓐ**

To use external power
Connect the AC power adaptor AC-E30HG (not supplied) to the DC IN 3 V jack and to the mains. Do not use any other AC power adaptor.
Specifications for AC-E30HG vary for each area. Check your local voltage and the shape of the plug before purchasing.

- Notes**
- Connect the AC power adaptor to an easily accessible AC outlet. Should you notice an abnormality in the AC power adaptor, disconnect it from the AC outlet immediately.
- Do not touch the AC power adaptor with wet hands.

Playing a Tape

- Insert a cassette.
- Set (RADIO OFF) TAPE/AM/FM to (RADIO OFF) TAPE.
- Press ► PLAY.

To	Press/switch
Stop playback*	■ STOP
Fast-forward or rewind the tape**	►► FF/CUE or ◄◄ REW/REVIEW during stop
Search forward during playback (CUE)	Press and hold ►► FF/CUE and release it at the point you want
Search backward during playback (REVIEW)	Press and hold ◄◄ REW/REVIEW and release it at the point you want
Pause playback	PAUSE in the direction of the arrow <i>To release pause, slide PAUSE to the opposite direction of the arrow.</i>

* When the tape ends, the depressed button ► PLAY is released automatically (Auto shut-off function).

** If you leave the unit after the tape has been wound or rewound, the batteries will be consumed rapidly. Be sure to press ■ STOP.

Note
Do not open the cassette holder while the tape is running.

To use the speaker
Set SPEAKER/♯ to SPEAKER. The sound will play from the speaker and no sound from the headphones/earphones. When the speaker is in use, the AVLS function will not work.

Listening to the Radio

Since the headphones/earphones cord serves as an FM antenna, connect the headphones/earphones even when using the speaker.

- Set (RADIO OFF) TAPE/AM/FM to AM or FM.
- Turn TUNING to tune in to the station you want.

To turn off the radio
Set (RADIO OFF) TAPE/AM/FM to (RADIO OFF) TAPE.

- To improve broadcast reception**
- For FM:** Extend the headphones/earphones cord (antenna). If the reception is still not good, adjust FM ST/MONO or DX/LOCAL.
- For AM:** Reorient the unit itself.

Recording

- Notes**
- If the record-protect tab is broken, you cannot record on that side.
- Use new batteries when recording.
- If a howling occurs, turn down the volume.
- When recording with the microphone, the sound to be recorded cannot be heard through the speaker.

- Insert a TYPE I (normal) tape.
- To record with the built-in microphone:**
 - Place the unit on a hard surface (such as a desk) with the cassette holder side down, so that the microphone can record effectively.
 - Set (RADIO OFF) TAPE/AM/FM to (RADIO OFF) TAPE.

To record from the radio:

- Set (RADIO OFF) TAPE/AM/FM to AM or FM.
- Tune in to the station you want to record (see “Listening to the Radio”).

- Press ● REC.
 - PLAY is pressed simultaneously and recording starts. The recording level is automatically adjusted.

To	Press/switch
Pause a recording	PAUSE
Stop recording	■ STOP
Start recording during playback	● REC during playback
playback	

To reduce noise while recording AM programs
Set the ISS (Interference Suppress Switch) to the position that reduces noise the most.

- Notes on recording**
- The recording level is fixed.
- Actual recording will start about 2 seconds after you press ● REC. Press ● REC about 2 seconds before the moment you want to start recording, or you will miss the beginning of your recording.
- Do not use a high-position (TYPE II) or metal (TYPE IV) tape. If you do, the sound may be distorted when you play back the tape, or the previous recording may not be erased completely.
- Do not connect or disconnect the headphones/earphones to/from the ♯ jack while recording from the radio. The recording condition may change abruptly, or noise may be recorded.
- When recording with the microphone, do not place it near a lamp cord or a fluorescent lamp as this may cause interference noise.
- No other operation can be done while recording. For other operations, stop recording first.

To prevent a tape from being accidentally recorded over

Break off the tabs from side A and/or B. To reuse the tape for recording, cover the tab hole with adhesive tape.

Recording from various sound sources

To record with an external microphone
Connect an external microphone to the MIC (PLUG IN POWER) jack.

Use a microphone such as the ECM-DS70P (not supplied).
When using a plug-in-power system microphone, the power to the microphone is supplied from this unit.

To record from another equipment
Connect another equipment to the MIC (PLUG IN POWER) jack using such as the RK-G134 connecting cord (not supplied).

Using Other Functions

(Only when using headphones/earphones)

Protecting your hearing—AVLS (Automatic Volume Limiter System)

Set AVLS to LIMIT. The maximum volume is kept down to protect your ears even if you turn the volume up.

To cancel the AVLS function, set AVLS to NORM.

Listening with powerful sound
Set SOUND BOOST to ON to obtain the Sound Boost effect which emphasizes both treble and bass.

Note
When you set AVLS to LIMIT, the SOUND BOOST effect is reduced.

Precautions

On batteries

- Do not carry dry batteries with coins or other metallic objects. It can generate heat if the positive and negative terminals of the batteries are accidentally contacted by a metallic object.
- When you are not going to use your Walkman for a long time, remove the batteries to prevent damage from battery leakage and corrosion.
- On handling**
- Do not put any heavy object on top of the unit. The unit may be damaged.
- Do not leave the unit in a location near heat sources, or in a place subject to direct sunlight, excessive dust or sand, moisture, rain, mechanical shock, or in a car with its windows closed.
- We do not recommend the use of tape longer than 90 minutes. They are very thin and tend to be stretched easily. This may cause malfunction of the unit or sound deterioration.
- If the unit has not been used for a long time, set it in the playback mode to warm it up for a few minutes before you start using it again.
- Keep personal credit cards using magnetic coding or spring-wound watches, etc. away from the unit to prevent possible damage from the magnet used in the speaker.

On headphones/earphones

Road safety
Do not use headphones/earphones while driving, cycling, or operating any motorized vehicle. It may create a traffic hazard and is illegal in some areas. It can also be potentially dangerous to play your headphones/earphones at high volume while walking, especially at pedestrian crossings.
You should exercise extreme caution or discontinue use in potentially hazardous situations.

Preventing hearing damage
Do not use headphones/earphones at high volume. Hearing experts advise against continuous, loud and extended play. If you experience a ringing in your ears, reduce the volume or discontinue use.

Caring for others
Keep the volume at a moderate level. This will allow you to hear outside sounds and to be considerate to the people around you.

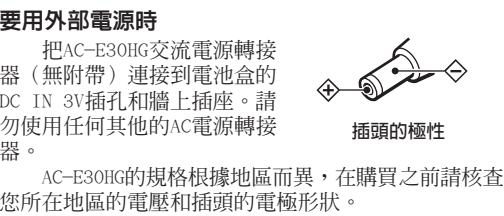
On maintenance

- Clean the tape head and tape path using a cotton swab and commercially available cleaning solvent after every 10 hours of use.
- To clean the exterior, use a soft cloth slightly moistened in water. Do not use alcohol, benzine or thinner.
- Clean the headphones/earphones plugs periodically.

中文	
準備工作	
安裝電池A-Ⓐ	
滑開電池盒蓋，然後對正確極性裝入兩個R6 (AA、3號) 電池。	
當BATT (電池) 指示燈變昏暗時，即請換新電池。	
A-ⓐ	
註	
為獲得最佳效果，建議您使用Sony牌鹼性電池。	
萬一電池盒蓋意外地脫落了而要再裝上時	
請按照圖 A-Ⓐ 所示安裝。	
要用外部電源時	
把AC-E30HG交流電源轉接器（無附帶）連接到電池盒的DC IN 3V插孔和牆上插座。請勿使用任何其他AC電源轉接器。	
AC-E30HG的規格根據地區而異，在購買之前請檢查您所在地區的電壓和插頭的電極形狀。	
註	
將AC電源轉接器連接到近旁的AC插座。您如果發現AC電源轉接器有異常現象，即請立即自AC插座拔下它。	
您的手潮濕時，切勿去碰AC電源轉接器。	

要在錄AM節目時減小噪聲	
請將ISS (干擾抑制開關) 設定於能將噪聲減至最小的位置。	
錄音須知	
●錄音電平被固定。	
●實際錄音將在您滑動●REC約2秒鐘之後開始。請在您要開始錄音時刻的約2秒鐘之前滑動●REC，否則您將錯過錄音的開始部分。	
●請勿用高位 (TYPE II) 或金屬 (TYPE IV) 型的錄音帶錄音。否則播放錄音帶時聲音可能會失真，以前的錄音內容也可能不會被完全抹消。	
●從收音機錄音時，請勿將頭戴耳機／耳機接到／拔出♯插孔。否則錄音條件可能會突然改變，也可能錄下噪音。	
●用麥克風錄音時，請勿將麥克風靠近電燈線或日光燈，以避免干擾噪音。	
●在錄音時所有其他操作都無法進行。要進行其他操作，請先停止錄音。	

萬一電池盒蓋意外地脫落了而要再裝上時
請按照圖**A-Ⓐ**所示安裝。



註
將AC電源轉接器連接到近旁的AC插座。您如果發現AC電源轉接器有異常現象，即請立即自AC插座拔下它。

要防止錄音帶被錄誤時
請折斷A面和／或B面的防護擦小翼。要重新用該錄音帶錄音，用膠帶蓋住折斷防護擦小翼後的缺口。

播放錄音帶

1 裝入卡帶。

2 把 (RADIO OFF) TAPE/AM/FM設定於 (RADIO OFF) TAPE。

3 按► PLAY。

要	請按／切換
停止播放*	■ STOP
快進繞或重繞**	停止中按►► FF/CUE或◄◄ REW/REVIEW
播放中，前進搜索	按住►► FF/CUE而在所要地點釋放按鈕
播放中，退後搜索	按住◄◄ REW/REVIEW而在所要的地點釋放按鈕
暫停播放	沿箭頭所指方向切換PAUSE 要釋放暫停模式時，請逆向箭頭所指方向推PAUSE。

* 當磁帶捲完時，被按下了的按鈕► PLAY將自動地釋放 (自動關閉功能)。

** 當磁帶已繞完或重繞完時，如果仍放置機器不管，將迅速消耗電池。請即按■ STOP。

註
在磁帶運轉中，不可打開磁帶座。

要用揚聲器時
把SPEAKER/♯滑到SPEAKER。聲音將從揚聲器放出而頭戴耳機／耳機則聽不到聲音。當使用揚聲器時，AVLS功能是不起作用的。

聽收音機
因為耳機導線也當FM天線作用，因此雖然是用揚聲器聽，也須連接著頭戴耳機／耳機使用。

- 把 (RADIO OFF) TAPE/AM/FM設定於AM或FM。
- 旋轉TUNING以調入所要的電台。

要關掉收音機時
把 (RADIO OFF) TAPE/AM/FM設定於 (RADIO OFF) TAPE。

要改善廣播接收效果時

- 收聽FM節目時**：請拉遙控器導線 (天線)。如果接收效果仍不好，請調節FM ST/MONO或DX/LOCAL。
- 收聽AM節目時**：調轉機器方位。

錄音

- 註**
- 如果防護小翼已被折斷，則無法在該面錄音。
- 錄音時，請使用新的電池。
- 如果出現嗶聲，請調低音量。
- 當用麥克風錄音時，所錄的聲音是不能通過揚聲器聽到的。

- 插入一盒TYPE I (標準) 錄音帶。
- 要用內裝麥克風錄音時**：
 - 把機器放在堅硬平面上 (例如桌面等) 讓卡帶座的一面朝下，使麥克風能有效地進行錄音。
 - 把 (RADIO OFF) TAPE/AM/FM設定於 (RADIO OFF) TAPE。

要從收音機錄音時：

- 把 (RADIO OFF) TAPE/AM/FM設定於AM或FM。
- 請調入您想錄的電台 (參看 “聽收音機”)。

- 按● REC (錄音)。
 - PLAY將同時被按而開始錄音。錄音電平將自動調整。

要	請按／切換
暫停錄音	PAUSE
停止錄音	■ STOP
播放中開始錄音	播放中按● REC

要在錄AM節目時減小噪聲
請將ISS (干擾抑制開關) 設定於能將噪聲減至最小的位置。

錄音須知

- 錄音電平被固定。
- 實際錄音將在您滑動●REC約2秒鐘之後開始。請在您要開始錄音時刻的約2秒鐘之前滑動●REC，否則您將錯過錄音的開始部分。
- 請勿用高位 (TYPE II) 或金屬 (TYPE IV) 型的錄音帶錄音。否則播放錄音帶時聲音可能會失真，以前的錄音內容也可能不會被完全抹消。
- 從收音機錄音時，請勿將頭戴耳機／耳機接到／拔出♯插孔。否則錄音條件可能會突然改變，也可能錄下噪音。
- 用麥克風錄音時，請勿將麥克風靠近電燈線或日光燈，以避免干擾噪音。
- 在錄音時所有其他操作都無法進行。要進行其他操作，請先停止錄音。

要防止錄音帶被錄誤時
請折斷A面和／或B面的防護擦小翼。要重新用該錄音帶錄音，用膠帶蓋住折斷防護擦小翼後的缺口。

從各種各樣聲源錄音

要用外接麥克風錄音時
將外部麥克風連接到MIC (PLUG IN POWER) 插孔。

請使用的麥克風，例如ECM-DS70P等 (無附帶)。當使用接插通電系統的麥克風時，將由本機供給麥克風的電源。

要從其他設備錄音時
可用諸如RK-G134等連接導線 (無附帶) 將其他設備連接到MIC (PLUG IN POWER) 插孔。

其他功能 (當使用頭戴耳機／耳機時為限)

保護聽覺—AVLS (自動音量限制系統)
把AVLS設定於LIMIT。則即使轉大了音量也可限制最大的音量以保護您的耳朵。要取消AVLS功能時，請把AVLS設定於NORM。

要聽魄力十足的音響時

請將SOUND BOOST (聲增強器) 設定於ON (打開) 以便能獲得加強了高音和低音的聲增強 (Sound Boost) 效果。

註
當您把AVLS設定於LIMIT時，SOUND BOOST (聲增強) 效果將減弱。

使用前須注意

電池須知

- 乾電池不要同錢幣或其他金屬物件放在一起。如果金屬物件偶爾接觸電池的正極與負極，就會發熱。
- 如果Walkman (本機) 長期不用，請取出電池以免本機因電池漏液、腐蝕而受損。

本機須知

- 請勿掉落或撞擊本機，否則會引起故障。
- 請勿將本機置於熱源附近，或受陽光直射、極多塵沙、潮濕、會淋到雨、有機械沖擊的地方，或緊閉的汽車裡。
- 請不要使用90分鐘以上長度的盒帶，這些盒帶很薄，容易被拉伸。這可能導致本機故障或音質變差。
- 如果長時間未使用本機，在重新開始使用之前，請先將其置於收音狀態預熱幾分鐘。
- 請將使用磁編碼的個人信用卡或條式鐘表等遠離本機放置，以防被揚聲器中使用的磁鐵損壞。

頭戴耳機／耳機須知

交通安全
請勿在駕車、騎車或操縱任何機動車輛時使用頭戴耳機／耳機，否則可能導致交通事故，有些地區是違法的。即使在步行時，特別是在過馬路時，高音量地使用頭戴耳機／耳機也會有潛在的危險。在可能有危險的情況下，必須減小音量或暫停使用。

防止損傷听力
請勿高音量地使用頭戴耳機／耳機。耳科專家告誡不要連續、高音量和長時間使用耳機。有耳鳴經驗的人也請調低音量或不連續使用。

為他人著想
請保持適當的音量，使您能聽到外界的聲音，而且不騷擾周圍的人。

維修須知

- 每使用了10個小時，即請用棉棒和市售清潔液清潔一下磁頭和磁帶通道。
- 請用軟布輕蘸濕清水擦拭機器外殼。切勿使用酒精，汽油或稀硫酸。
- 請定期地清潔頭戴耳機／耳機和遙控器的插頭。

