

索尼公司

Radio Cassette Corder

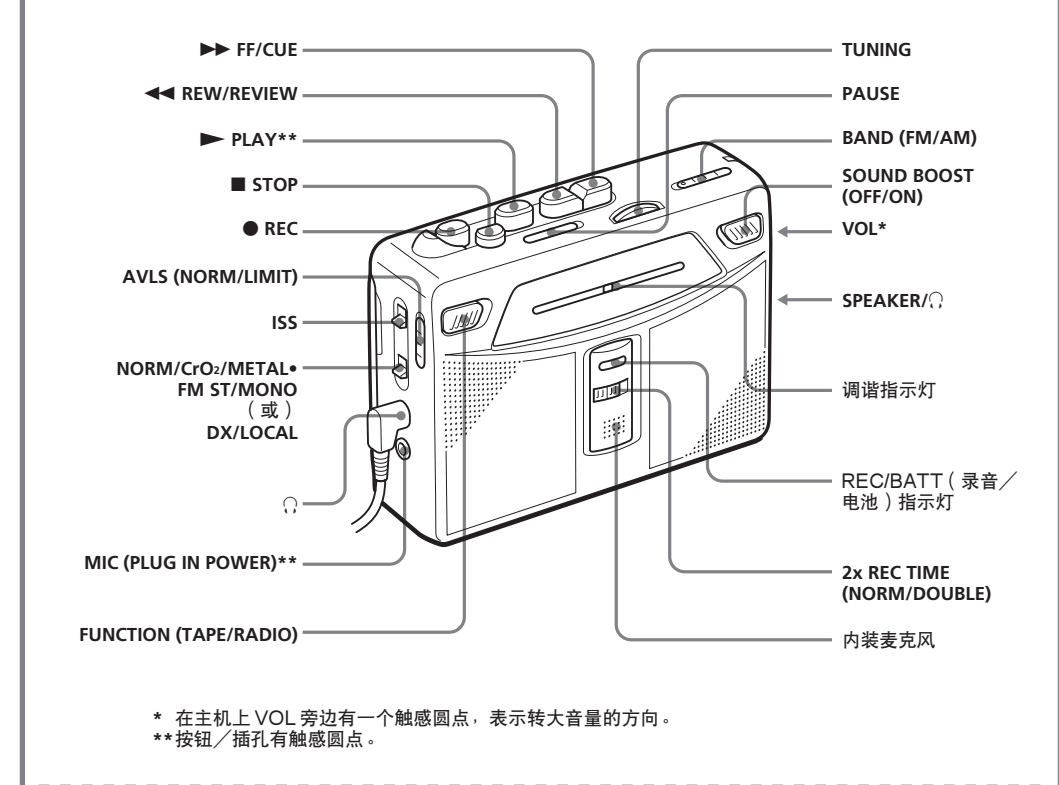
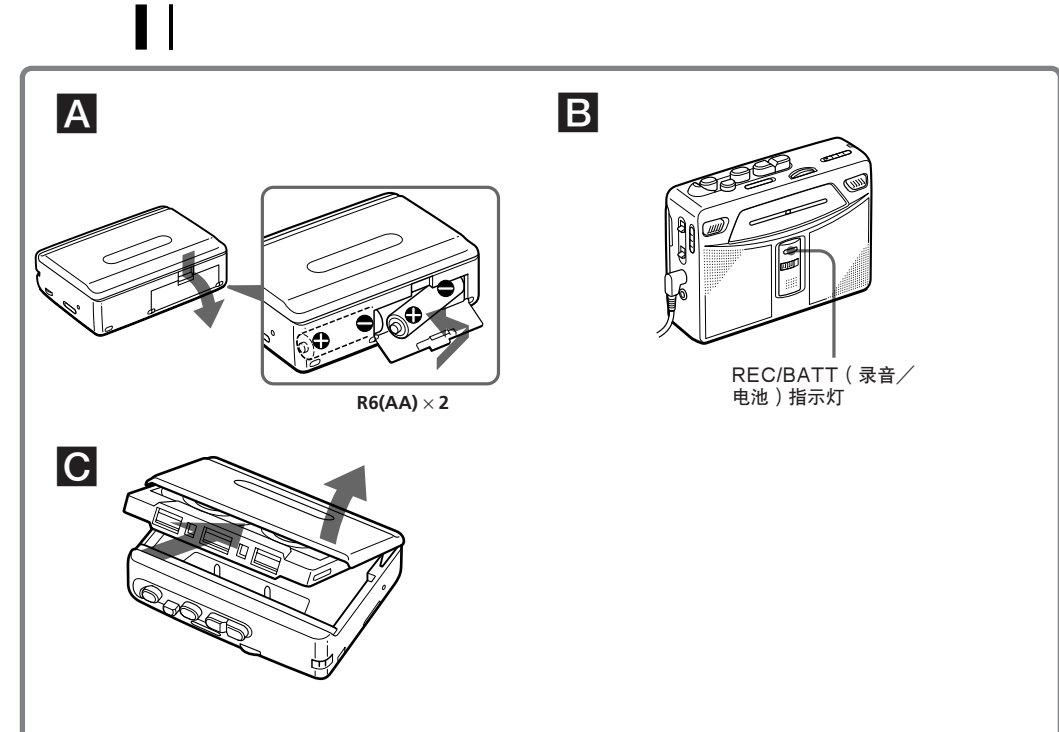
使用说明书 Operating Instructions (on reverse)



随身听

WM-GX221

©2001 Sony Corporation Printed in China



规格	
频率范围	
FM: 87.5-108MHz (意大利、沙特阿拉伯) 87.6-108MHz (北美、中美洲和南美洲) 87.6-107.9MHz (其他国家)	
AM: 526.5-1 606.5kHz (意大利、沙特阿拉伯) 530-1 710kHz (北美、中美洲和南美洲) 531-1 602kHz (其他国家)	
频率响应	<p>放音：40 - 15 000Hz</p> <p>录音：100 - 8 000Hz (当把 2x REC TIME (2倍录音时间) 设定于 NORM 时)</p>
输入	麦克风(MIC)插孔
输出	头戴耳机 (⌀) 插孔
	负载阻抗 8 - 300 Ω
电源	3V DC R6 (AA、5号) 电池×2
尺寸 (宽/高/纵深)	大约 112.0×82.5×38.0mm，不含突起部分和控制器
重量	大约 190 g (仅限于主机)
附件	<p>立体声头戴耳机或耳机 (1)</p> <p>立体声麦克风 (1)</p> <p>携带软袋 (1) *</p> <p>* 限中国型号有附带</p>
设计和规格有所变更时，恕不另行通知。	

http://www.sony.net/

"WALKMAN" is a registered trademark of Sony Corporation to represent Headphone Stereo products.

WALKMAN is a trademark of Sony Corporation.

中文

准备工作

安装电池 ⓘ

滑开电池盒盖，然后对正确极性装入两个 R6 (AA、5号) 电池。

当 REC/BATT (录音/电池) 指示灯变昏暗时，即请换新电池。 ⓘ

注

- 为获得最佳效果，建议您使用 Sony 牌碱电池。

录音

注

- 如果防误抹小翼已被折断，则无法在该面录音。
- 把 2x REC TIME (2倍录音时间) 切换到 DOUBLE 位置所录的录音带是不能在不带该录音模式功能的磁带录音机上面播放妥当的。
- 录音时，请使用新的电池。
- 当用麦克风录音时，所录的声音是不能通过扬声器听到的。

- 插入一盒(TYPE I) 录音带。 ⓘ
- 把 2x REC TIME (2倍录音时间) 设定于所要位置。**NORM(4.8cm/秒)**：用于为获得最佳音响，最好请用正常模式进行录音。**DOUBLE(2.4cm/秒)**：用于双倍录音时间(例如，使用 60 分盒带的双面可录 120 分钟)。适用于会议，口授记录等的录音。但，不适用于录音乐。

- 选择录音源。**要用内装麦克风录音时：**
 - 把机器放在坚硬平面上(例如桌面等)让盒带座的一面朝下，使麦克风能有效地进行录音。
 - 把 FUNCTION 设定于 TAPE 。
- 要用麦克风录音时：**
 - 将附带的麦克风连接到 MIC (PLUG IN POWER)插孔。
 - 把 FUNCTION 设定于 TAPE 。您可以将麦克风夹在您的衣服上。

- 要从收音机录音时：**
 - 把 FUNCTION 设定于 RADIO 。
 - 请调入您想录的电台(参见“听收音机”)。
- 按 ● REC (录音)。▶ PLAY 将同时被按而开始录音。录音电平将自动调整。

注

- 要录 FM 广播节目时，务请连接上头戴耳机/耳机，因为耳机导线也当接收 FM 的天线使用。

要	请按/切换
暂停录音	PAUSE
停止录音	■ STOP
播放中开始录音	播放中按 ● REC

- 按 ● REC (录音)。▶ PLAY 将同时被按而开始录音。录音电平将自动调整。

注

- 要录 FM 广播节目时，务请连接上头戴耳机/耳机，因为耳机导线也当接收 FM 的天线使用。

要	请按/切换
暂停录音	PAUSE
停止录音	■ STOP
播放中开始录音	播放中按 ● REC

要在录 AM 节目时减小噪声

请将 ISS (干扰抑制开关) 设定于能将噪声减至最小的位置。

录音须知

- 录音电平被固定。
- 实际录音将在您滑动 ● REC 约 2 秒钟之后开始。请在您要开始录音时刻的约 2 秒钟之前滑动 ● REC，否则您将错过录音的开始部分。
- 请勿用高位 (TYPE II) 或金属 (TYPE IV) 型的录音带录音。否则播放录音带时声音可能会失真，以前的录音内容也可能不会被完全抹消。
- 从收音机录音时，请勿将头戴耳机/耳机接到/拔出 ⌀ 插孔。否则录音条件可能会突然改变，也可能录下噪音。
- 用麦克风录音时，请勿将麦克风靠近电线或日光灯，以避免干扰噪音。
- 在录音时所有其他操作都无法进行。要进行其他操作，请先停止录音。

要防止录音带被误录时

请折断 A 面和/或 B 面的防误抹小翼。要重新用该录音带录音，用胶带盖住折断防误抹小翼后的缺口。

播放录音带

- 把 FUNCTION 设定于 TAPE 。
- 设定 NORM/CrO₂/METAL 以符合磁带型。
- 把 2x REC TIME (2倍录音时间) 设定于和录音时相同的位置。(要播放市售录音带时，请选择 NORM。)
- 装入盒带。 ⓘ
- 按 ▶ PLAY 。

要	请按/切换
停止播放	按 ■ STOP
暂停播放	PAUSE
快进绕或重绕*	停止中按 ▶▶ FF/CUE 或 ◀◀ REW/REVIEW
监听着声音快进绕/重绕	播放中按 ▶▶ FF/CUE 或 ◀◀ REW/REVIEW

* 当磁带已绕完或重绕完时，如果仍放置机器不管，将迅速消耗电池。请即按 ■ STOP。

注

- 在磁带运转中，不可打开盒带座。

要用扬声器时

把 SPEAKER/⌀ 滑到 SPEAKER。声音将从扬声器放出而头戴耳机/耳机则听不到声音。当使用扬声器时，AVLS 功能是不起作用的。

其他功能

要听魄力十足的音响时

请将 SOUND BOOST (声增强器) 设定于 ON (打开) 以便能获得加强了高音和低音的声增强 (Sound Boost) 效果。

保护听觉－AVLS (自动音量限制系统) (当使用头戴耳机/耳机时为限)

把 AVLS 设定于 LIMIT。便可限制最大的音量以保护您的耳朵。

听收音机

因为耳机导线也当 FM 天线作用，因此虽然是用扬声器听，也须连接着头戴耳机/耳机使用。

- 把 FUNCTION 设定于 RADIO 以打开收音机。
- 把 BAND 设定于 FM 或 AM 以选择波段。
- 旋转 TUNING 以调入所要的电台。

要关掉收音机时

把 FUNCTION 设定于 TAPE。

要改善广播接收效果时

- 收听 AM 节目时：调转机器方位。
- 收听 FM 节目时：请拉直遥控器导线 (天线)。如果接收效果仍不好，请调节 FM ST/MONO 或 DX/LOCAL 。

使用前须注意

电池须知

- 请勿将干电池与硬币或其他金属小件混在一起携带。如果电池的正极和负极意外地接触了金属小件，将意外生热。
- 长期不使用主机时，请取出电池以避免因电池漏液而腐蚀受损。

本机须知

- 请勿掉落或撞击本机，否则会引起故障。
- 请勿将本机置于热源附近，或受阳光直射、极多尘沙、潮湿、会淋到雨、有机械冲击的地方，或紧闭的汽车里。
- 请不要使用 90 分钟以上长度的磁带，这些磁带很薄，容易被拉伸。这可能导致本机故障或音质变差。
- 如果长时间未使用本机，在重新开始使用之前，请先将其置于收音状态预热几分钟。
- 请将使用磁编码的个人信用卡或发条式钟表等远离本机放置，以防被扬声器中使用的磁铁损坏。

头戴耳机/耳机须知

交通安全

请勿在驾车、骑车或操纵任何机动车辆时使用头戴耳机/耳机，否则可能导致交通事故，有些地区是违法的。即使在步行时，特别是在过马路时，高音量地使用头戴耳机/耳机也会有潜在的危险。在可能有危险的情况下，必须减小音量或暂停使用。

防止损伤听力

请勿高音量地使用头戴耳机/耳机。耳科专家告诫不要连续、高音量和长时间使用耳机。有耳鸣经验的人也请调低音量或不连续使用。

为他人着想

请保持适当的音量，使您能听到外界的声音，而且不骚扰周围的人。

维修须知

- 每使用了 10 个小时，即请用棉棒和市售清洁剂清洁一下磁头和磁带通道。
- 请用软布轻蘸湿清水擦拭机器外壳。切勿使用酒精，汽油或稀释剂。
- 请定期地清洁头戴耳机/耳机和麦克风的插头。

故障探寻

扬声器没有声音。

- 把 SPEAKER/⌀ 设定于 SPEAKER。

不能播放。

- 按 FUNCTION 设定 TAPE 以关掉收音机电源。

播放速度太快/太慢。

播放声失真。

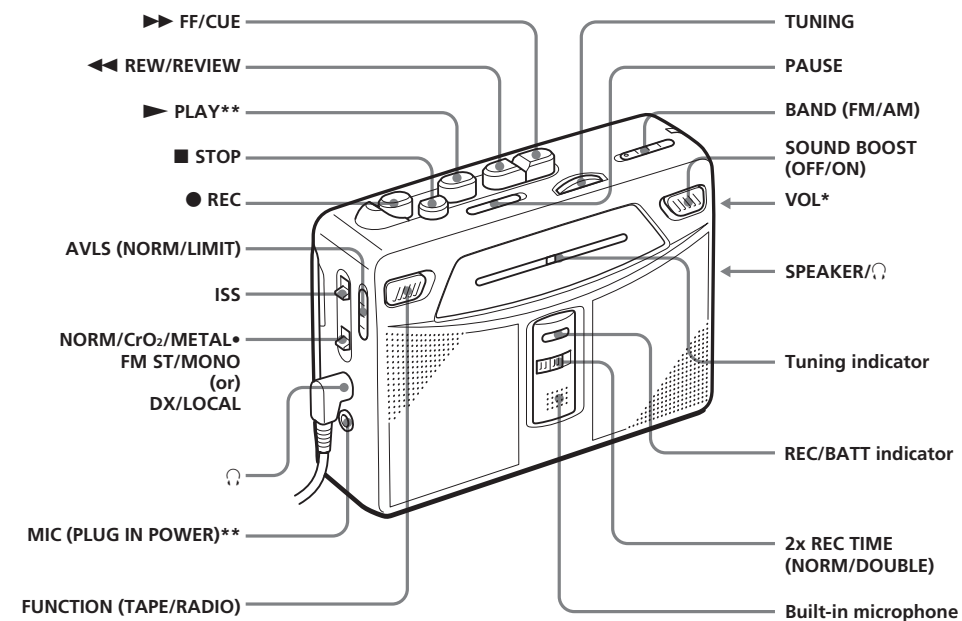
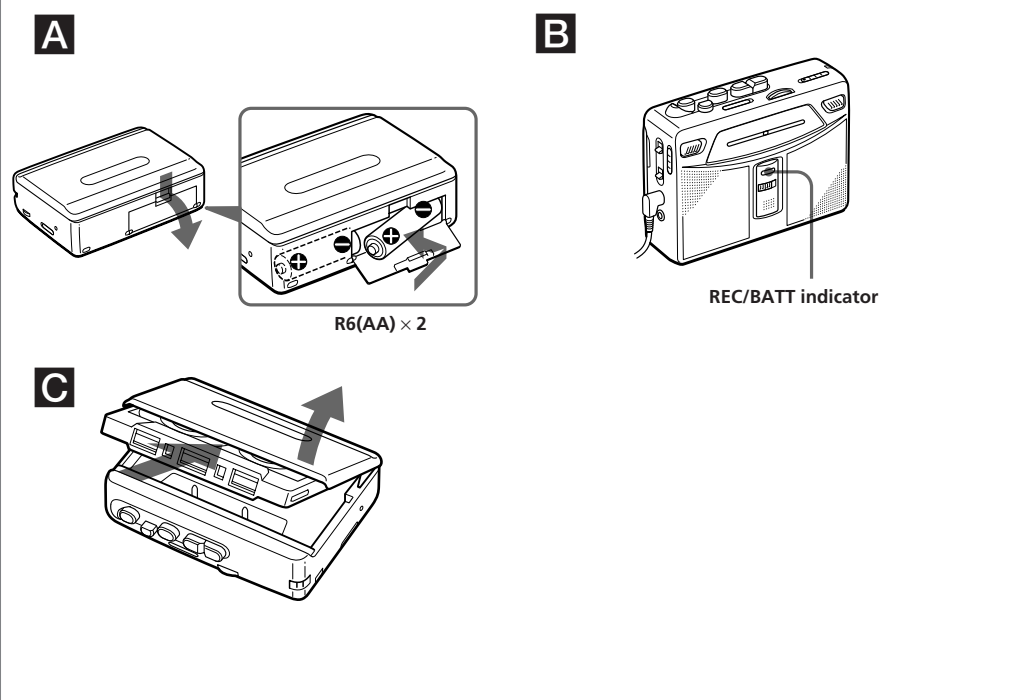
- 把 2x REC TIME (2倍录音时间) 设定于与该磁带录音时的相同位置。
- 两个电池同时换新。

不能按下 ● REC。

- 如果磁带的保护小翼已被摘除，可用黏胶带盖住小翼凹孔。

音量不能调大。

- 把 AVLS 设定于 NORM。



* There is a tactile dot beside VOL on the main unit to show the direction to turn up the volume.

**The button/jack has a tactile dot.

Specifications

Frequency range

FM: 87.5-108 MHz (Italy and Saudi Arabia)
87.6-108 MHz (North, Central and South America)
87.6-107.9 MHz (Other countries)

AM: 526.5-1 606.5 kHz (Italy and Saudi Arabia)
530-1 710 kHz (North, Central and South America)
531-1 602 kHz (Other countries)

Frequency response Playback: 40 - 15 000 Hz
Recording: 100 - 8 000 Hz (when setting 2x REC TIME to NORM)

Input

Microphone (MIC) jack
Headphones (🔊) jack

Output Load impedance 8 - 300 Ω

Power requirements 3 V DC batteries R6 (size AA) × 2

Dimensions (w/h/d) Approx. 112.0 × 82.5 × 38.0 mm
(4 1/2 × 3 1/4 × 1 1/2 inches), excl. projecting parts and controls

Mass Approx. 190 g (6.8oz) (main unit only)

Supplied accessories Stereo headphones or earphones (1)
Stereo microphone (1)
Carrying pouch (1)*
* Supplied with China model only

Design and specifications are subject to change without notice.

Battery life* (Approx. hours)

	Sony alkaline LR6(SG)**	Sony R6P(SR)
(using headphones/earphones)		
playback	24	7
radio	48	15
mic recording	20	4.5
radio recording	12	3
(using the speakers)		
playback	15	4.5
radio	26	6
radio recording	11.5	3

* Measured value by the standard of JEITA (Japan Electronics and Information Technology Industries Association) (using a Sony HF series cassette tape).

**When using Sony LR6(SG) alkaline dry batteries (produced in Japan).

Note

- The battery life may be shorter depending on the operating condition, the surrounding temperature and battery type.

Preparations

To Insert batteries **A**

Slide open the battery compartment lid, and insert two R6 (size AA) dry batteries with correct polarity.

Replace the batteries with new ones when the REC/BATT indicator dims. **B**

Note

- For maximum performance we recommend that you use Sony alkaline batteries.

Recording

Notes

- If the record-protect tab is broken, you cannot record on that side.
- Tapes recorded with the 2x REC TIME switch in the DOUBLE position cannot be played properly by a tape recorder without that recording mode function.
- Use new batteries when recording.
- When recording with the microphone, the sound to be recorded cannot be heard through the speakers.

1 Insert a normal (TYPE I) tape. **C**

- Set 2x REC TIME to the desired position. **NORM (4.8 cm/s)**: for optimum sound. Recommended for normal recordings. **DOUBLE (2.4 cm/s)**: for double recording time (for example, 120 minutes using both sides of a 60-minute cassette). Suitable for recording conferences, dictations, etc. Not recommended to record music.

3 Select a recording source.

To record with the built-in microphone:

- Place the unit on a hard surface (such as a desk) with the cassette holder side down, so that the microphone can record effectively.
- Set FUNCTION to TAPE.

To record with the microphone:

- Connect the supplied microphone to the MIC (PLUG IN POWER) jack.
- Set FUNCTION to TAPE.

You can attach the microphone to your clothes.

To record from the radio:

- Set FUNCTION to RADIO.
- Tune in to the station you want to record (see "Listening to the Radio").

4 Press ● REC.

▶▶ PLAY is pressed simultaneously and recording starts. The recording level is automatically adjusted.

Note

- To record FM radio programs, connect the headphones/earphones since its cord serves as an FM antenna.

To	Press/switch
Pause a recording	PAUSE
Stop recording	■ STOP
Start recording during playback	● REC during playback

To reduce noise while recording AM programs

Set the ISS (Interference Suppress Switch) to the position that reduces noise the most.

Notes on recording

- The recording level is fixed.
- Actual recording will start about 2 seconds after you press ● REC. Press ● REC about 2 seconds before the moment you want to start recording, or you will miss the beginning of your recording.
- Do not use a high-position (TYPE II) or metal (TYPE IV) tape. If you do, the sound may be distorted when you play back the tape, or the previous recording may not be erased completely.
- Do not connect or disconnect the headphones/earphones to/from the 🔊 jack while recording from the radio. The recording condition may change abruptly, or noise may be recorded.
- When recording with the microphone, do not place it near a lamp cord or a fluorescent lamp as this may cause interference noise.
- No other operation can be done while recording. For other operations, stop recording first.

To prevent a tape from being accidentally recorded over

Break off the tabs from side A and/or B. To reuse the tape for recording, cover the tab hole with adhesive tape.

Playing a Tape

- Set FUNCTION to TAPE.
- Set NORM/CrO₂/METAL to match the tape type.
- Set 2x REC TIME to the same position as that used for recording. (To playback commercially sold tapes, select NORM.)
- Insert a cassette. **C**
- Press ▶▶ PLAY.

To	Press/switch
Stop playback	■ STOP
Pause playback	PAUSE
Fast-forward or rewind*	▶▶ FF/CUE or ◀◀ REW/REVIEW during stop
Fast-forward/rewind while monitoring the sound	▶▶ FF/CUE or ◀◀ REW/REVIEW during playback

* If you leave the unit after the tape has been wound or rewound, the batteries will be consumed rapidly. Be sure to press ■ STOP.

Note

- Do not open the cassette holder while the tape is running.

To use the speakers

Slide SPEAKER/🔊 to SPEAKER. The sound will play from the speakers and no sound is heard from the headphones/earphones.

When the speakers are in use, the AVLS function will not operate.

Other functions

To listen with powerful sound

Set the SOUND BOOST to ON to obtain the Sound Boost effect which emphasizes both treble and bass.

Protecting Your Hearing

—AVLS (Automatic Volume Limiter System)

(Only when using headphones/earphones)
Set AVLS to LIMIT. The maximum volume is kept down to protect your ears.

Listening to the Radio

Since its cord serves as an FM antenna, connect the headphones/earphones even when using the speakers.

- Set FUNCTION to RADIO to turn on the radio.
- Set BAND to FM or AM to select the band.
- Turn TUNING to tune in to the desired station.

To turn off the radio

Set FUNCTION to TAPE.

To improve the broadcast reception

- For AM: Reorient the unit itself.
- For FM: Extend the headphone/earphone cord (antenna). If the reception is still not good, adjust FM ST/MONO or DX/LOCAL.

Precautions

On batteries

- Do not carry the dry batteries with coins or other metallic objects. It can generate heat if the positive and negative terminals of the batteries are accidentally contacted by a metallic object.
- When you are not going to use your Walkman for a long time, remove the batteries to prevent damage from battery leakage and corrosion.

On handling

- Do not drop the unit or give a shock to the unit, or it may cause a malfunction.
- Do not leave the unit in a location near heat sources, or in a place subject to direct sunlight, excessive dust or sand, moisture, rain, mechanical shock, or leave it in a car with its windows closed.
- We do not recommend the use of tape longer than 90 minutes. They are very thin and tend to be stretched easily. This may cause malfunction of the unit or sound deterioration.
- If the unit has not been used for a long time, set it in the playback mode to warm up for a few minutes before you start using again.
- Keep personal credit cards using magnetic coding or spring-wound watches, etc., away from the unit to prevent possible damage from the magnet used in the speaker.

On headphones/earphones

Road safety

Do not use headphones/earphones while driving, cycling, or operating any motorized vehicle. It may create a traffic hazard and is illegal in some areas. It can also be potentially dangerous to play your headphones/earphones at high volume while walking, especially at pedestrian crossings. You should exercise extreme caution or discontinue use in potentially hazardous situations.

Preventing hearing damage

Do not use headphones/earphones at high volume. Hearing experts advise against continuous, loud and extended play. If you experience a ringing in your ears, reduce volume or discontinue use.

Caring for others

Keep the volume to a moderate level. This will allow you to hear outside sounds and to be considerate to the people around you.

On maintenance

- Clean the tape head and tape path, using a cotton swab and commercially available cleaning solvent after every 10 hours of use.
- To clean the exterior, use a soft cloth slightly moistened in water. Do not use alcohol, benzine or thinner.
- Clean the headphones/earphones and microphone plugs periodically.

Troubleshooting

No sound comes out from the speakers.

- Set SPEAKER/🔊 to SPEAKER.

Cannot playback.

- Press FUNCTION to TAPE to turn off the radio.

The playback speed is too fast/slow.

The playback sound is distorted.

- Set 2x REC TIME at the same position as when the tape was recorded.
- Replace both batteries with new ones.

Cannot press ● REC down.

- If the tab of the tape is broken off, cover the tab hole with adhesive tape.

The volume cannot be turned up.

- Set AVLS to NORM.