

# Radio Cassette Player

Operating Instructions/使用说明书



## WM-FX700

©2003 Sony Corporation Printed in China



http://www.sony.net/

"WALKMAN" is a registered trademark of Sony Corporation to represent Headphone Stereo products.

WALKMAN is a trademark of Sony Corporation.

The validity of the CE marking is restricted to only those countries where it is legally enforced, mainly in the countries EEA (European Economic Area).

CE 标志的有效性, 仅限于那些有法律限制的国家, 主要在 EEA (欧洲经济区) 国家。

### WARNING

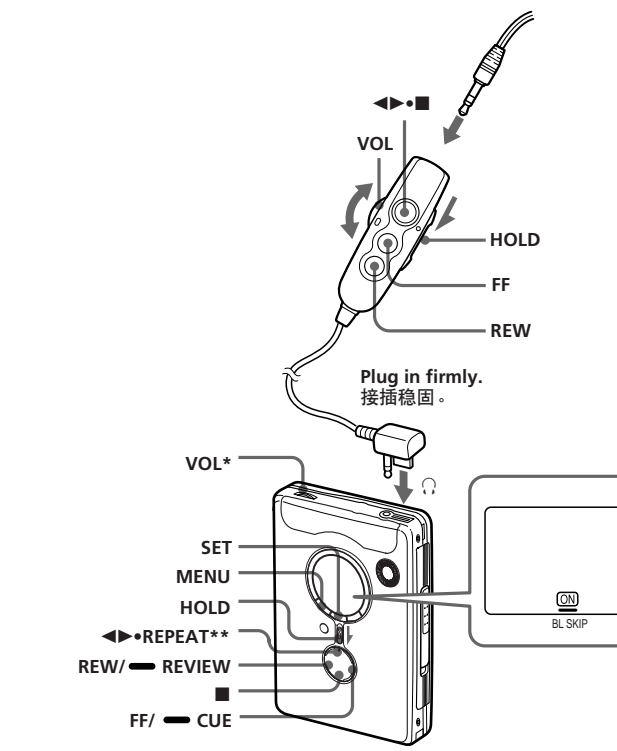
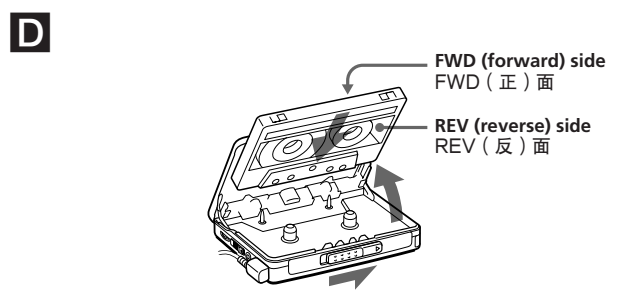
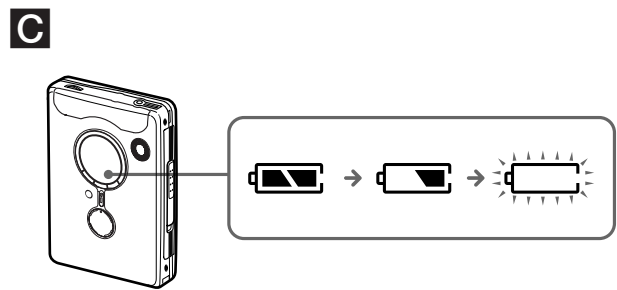
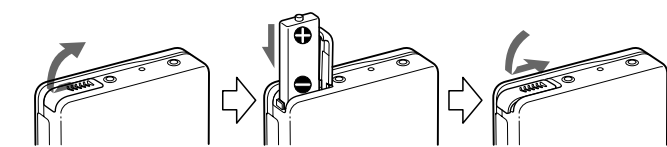
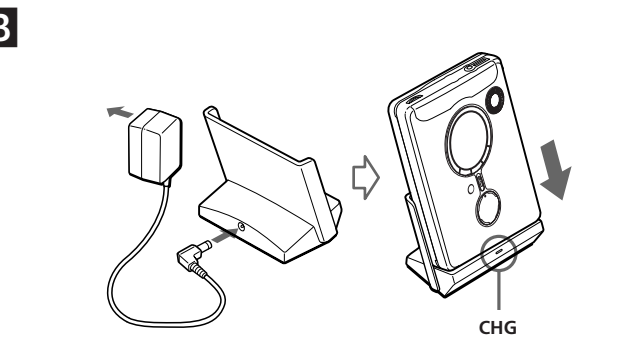
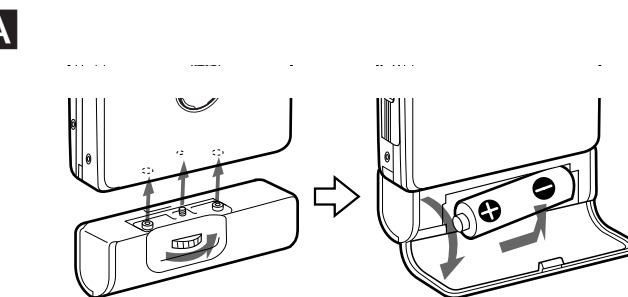
To prevent fire or shock hazard, do not expose the unit to rain or moisture.

Do not install the appliance in a confined space, such as a bookcase or built-in cabinet.

### 警告

为防火灾或触电危险, 切勿让机器暴露于雨中或潮湿处。

别把机器安装在例如书橱或壁柜等密闭不通风的地方。



- \* There is a tactile dot beside VOL on the main unit to show the direction to turn up the volume.
- \*\* The button has a tactile dot.
- 在主机上 VOL 旁边有一个触感圆点, 表示转大音量的方向。
- \*\* 按钮带有突起圆点。

- English**
- To prevent fire, do not cover the ventilation of the apparatus with newspapers, table-cloths, curtains, etc. And don't place lighted candles on the apparatus.
- To prevent fire or shock hazard, do not place objects filled with liquids, such as vases, on the apparatus.
- Certain countries may regulate disposal of the battery used to power this product. Please consult with your local authority.

### Preparations

Prepare a dry battery (not supplied) or the rechargeable battery (supplied).

#### Dry Battery (A)

Attach the supplied battery case, and then insert one R6 (size AA) battery with correct polarity.

For maximum performance we recommend that you use a Sony alkaline battery.

#### Rechargeable Battery (B)

Charge the rechargeable battery before using it for the first time.

- 1 Insert the supplied rechargeable battery NH-10WM into the rechargeable battery compartment with correct polarity.
- 2 Connect the supplied AC power adaptor to the charging stand, plug in the AC power adaptor to the house current (mains). If the plug does not fit to your mains, attach the supplied AC plug adaptor (Saudi Arabian model only).
- 3 Place the main unit on the charging stand. The CHG lamp will light up during charging. Full charging takes about 6 hours regardless of the battery power remaining. The CHG lamp will go off when the battery is fully charged.

- Notes**
- This charging stand charges the rechargeable battery based on a timer. If you remove the unit from the charging stand while it is charging, the timer will be reset and full charging will take about 6 hours when you place the unit on the charging stand again.
- You can use the unit before the CHG lamp goes off, but in that case, battery life will be shorter depending on the charging time.

- Do not use the unit while it is charging. Remove the unit from the charging stand when using it.
- If you operate the unit while it is charging, the battery will not be charged.
- If you operate the unit while it is charging, this may cause a malfunction.
- Do not place the unit on the charging stand without the rechargeable battery. Otherwise, this may cause a malfunction.

#### When to replace/charge the battery (C)

Replace or charge the battery when " " flashes in the display.

Battery life* (Approx. hours)	
Sony alkaline LR6 (SG)**	
Tape playback	50
Radio reception	56

Rechargeable battery NH-10WM	
Tape playback	22
Radio reception	25

Sony alkaline LR6 (SG)** and Rechargeable NH-10WM	
Tape playback	72
Radio reception	81

\* Measured value by the standard of JEITA (Japan Electronics and Information Technology Industries Association). (Using a Sony HF series cassette tape)

\*\* When using a Sony LR6 (SG) alkaline dry battery (produced in Japan).

- Notes**
- The battery life may be shorter depending on the operating condition, the surrounding temperature and battery type.
- The AVLS setting (see "Using the Menu") will be cancelled when you replace the battery.

### Playing a Tape (D)

- 1 Insert a cassette and if the HOLD function is on, slide the HOLD switch in the opposite direction of the arrow to unlock the controls.
- 2 Press ◀▶•REPEAT on the main unit and adjust the volume with VOL. (On the remote control, press ▶(play)•■(stop).)

When adjusting the volume on the remote control Set the VOL control on the main unit to around 6.

When adjusting the volume on the main unit Set the VOL control on the remote control at maximum.

#### Operation on the remote control

To	Press
Switch playback to the other side	◀▶•■ for 2 seconds or more during playback
Stop playback	▶(stop) once during playback
Repeat the current track (Repeat Single Track function)	◀▶•■ twice during playback <i>To stop a single repeat, press ▶(stop) once.</i>
Fast forward*	FF during stop
Rewind*	REW during stop
Search forward during playback (CUE)	Press and hold FF and release it at the point you want
Search backward during playback (REVIEW)	Press and hold REW and release it at the point you want
Play the next track/succeeding 9 tracks from the beginning (AMS**)	FF once/repeatedly during playback
Play the other side from the beginning (Skip Reverse function)	FF/CUE for 2 seconds or more during stop
Play the same side from the beginning (Rewind Auto Play function)	REW/REVIEW for 2 seconds or more during stop

\* Press ◀▶•REPEAT (on the remote control, press ▶(play)•■(stop)) during fast forward or rewind to start playback.

\*\*Automatic Music Sensor

**To skip a long blank space (BL SKIP\* function)**

- 1 Press MENU repeatedly to set " " (the cursor) in the display to BL SKIP.
- 2 Press SET to show " ".

\* When the BL SKIP function is on, the tape is fast-forwarded to the next track if there is a blank space longer than 12 seconds.

(turn over)

### 中文

- 为防止火灾, 请勿让报纸、桌布、窗帘等盖住装置的通风孔。也不可把点燃的蜡烛放在装置上。
- 为防止火灾或触电的危险, 请勿将装满液体的物体, 例如花瓶等放在装置上。
- 一部分国家对本产品的电源用电池的处置, 可能有所规定。此请询问当地有关当局。

### 准备工作

准备干电池 (无附带) 或充电式电池 (附带)。

#### 干电池 (A)

安装附带的电池盒, 然后按正确极性装入一节 R6 (AA) 电池。

注 为获得最佳效果, 建议您使用 Sony 牌碱性电池。

#### 充电式电池 (B)

充电式电池在第一次使用前, 必须加以充电。

- 1 以正确极性将附带的充电式电池 NH-10WM 装入充电式电池室。
- 2 将附带的 AC 电源转换器连接到充电座, 将 AC 电源转换器插到家庭用电源插座 (主电源)。如果插头与所用主电源插座不匹配, 请装上附带的 AC 电源插头转换器 (仅限于沙特阿拉伯型号)。
- 3 把主机放在充电座上。在充电期间, CHG 灯将点亮。无论电池是否有剩余电量, 完全充电需时大约 6 小时。当电池完全充满电时, CHG 灯将熄灭。

注

- 充电座根据定时器为充电式电池充电。如果在充电时将本机从充电座上卸下, 定时器将复位, 并且当您把本机重新放在充电座上时, 完全充电需时大约 6 小时。
- 您可以在 CHG 灯熄灭之前使用本机, 但是在这种情况下, 电池工作时间将较短, 具体取决于充电时间。
- 充电中, 请勿使用本机。要使用本机, 须把它从充电座上卸下。
- 如果在充电时操作本机, 电池便不会充电。
- 如果在充电时操作本机, 便可能引起故障。

• 请勿在没有安装充电式电池的情况下把本机放在充电座上。否则, 便可能引起故障。

\* Press ◀▶•REPEAT (on the remote control, press ▶(play)•■(stop)) during fast forward or rewind to start playback.

\*\*Automatic Music Sensor

#### To skip a long blank space (BL SKIP\* function)

- 1 Press MENU repeatedly to set " " (the cursor) in the display to BL SKIP.
- 2 Press SET to show " ".

\* When the BL SKIP function is on, the tape is fast-forwarded to the next track if there is a blank space longer than 12 seconds.

#### 何时更换电池/给电池充电 (C)

" " 在显示窗中闪烁时, 即请更换电池或给电池充电。

电池寿命* (大约时数)	
Sony 碱电池 LR6 (SG)**	
录音带收音	50
听收音机	56

充电式电池 NH-10WM	
录音带收音	22
听收音机	25

同时使用 Sony 碱电池 LR6 (SG)** 和充电式电池 NH-10WM	
录音带收音	72
听收音机	81

\* 按 JEITA (Japan Electronics and Information Technology Industries Association) 标准测定的值。(使用 Sony HF 系列磁带)

\*\*使用 LR6 (SG) 型 Sony 碱电池 (日本制) 时。

- 注
- 电池寿命可能因操作条件、环境温度 and 电池类型而缩短些。
- 当更换电池时, AVLS 设定 (参见 "使用项目单") 将被取消。

### 播放录音带 (D)

- 1 装入盒带, 如果遥控器的 HOLD 功能仍打开着, 即请沿相反于箭头方向滑动 HOLD 开关以释放控制钮。
- 2 按主机上的 ◀▶•REPEAT 并用 VOL 调节音量。(在遥控器上, 则请按 ▶(播放)•■(停止)。

在遥控器上调节音量时 请把主机上的 VOL 控制钮设定于 6 左右。

在主机上调节音量时 请把遥控器上的 VOL 控制钮设定于最大。

#### 在遥控器上的操作

要	请按
换播放另一面	播放中按 ◀▶•■ 2 秒以上
停止播放	播放中按一次 ◀▶•■
反复播放当前曲子 (反复播放单首曲子功能)	播放中按两次 ◀▶•■
要停止单曲反复播放, 请按一次	要停止单曲反复播放, 请按一次 ◀▶•■。
快进绕*	停止中按 FF
重绕*	停止中按 REW
播放期间向前搜索 (CUE)	按住 FF, 在所要点上释放
播放期间向后搜索 (REVIEW)	按住 REW, 在所要点上释放
从头播放下一首曲子/接下 9 首曲子 (AMS**)	播放中按 FF 一次/多次
从头播放当前曲子/前面 8 首曲子 (AMS**)	播放中按 REW 一次/多次
从头播放另一首曲子/前面 8 首曲子 (AMS**)	停止中按住 FF 并面 (跳越倒绕 保持 2 秒以上功能)
从头播放同一首曲子/前面 8 首曲子 (AMS**)	停止中按住 REW 并面 (重绕自动 并保持 2 秒以上播放功能)

在主机上的操作	
要	请按
换播放另一面	播放中按 ◀▶•REPEAT
停止播放	按 ■ (停止)
反复播放当前曲子 (反复播放单首曲子功能)	播放中按住 ◀▶•REPEAT 并保持 2 秒以上
要停止单曲反复播放, 请按一次	要停止单曲反复播放, 请按一次 ◀▶•REPEAT。
快进绕*	停止中按 FF/CUE
重绕*	停止中按 REW/REVIEW
播放期间向前搜索 (CUE)	按住 FF/CUE, 在所要点上释放
播放期间向后搜索 (REVIEW)	按住 REW, 在所要点上释放
从头播放下一首曲子/接下 9 首曲子 (AMS**)	播放中按 FF/CUE 一次或多次
从头播放当前曲子/前面 8 首曲子 (AMS**)	播放中按 REW/REVIEW 一次或多次
从头播放另一首曲子/前面 8 首曲子 (AMS**)	停止中按住 FF/面 (跳越倒绕 CUE 并保持 2 秒以上功能)
从头播放同一首曲子/前面 8 首曲子 (AMS**)	停止中按住 REW/面 (重绕自动 并保持 2 秒以上播放功能)

\* 在快进绕或重绕时, 按 ◀▶•REPEAT (在遥控器上按 ◀▶•■) 开始播放。

\*\*自动乐曲探测

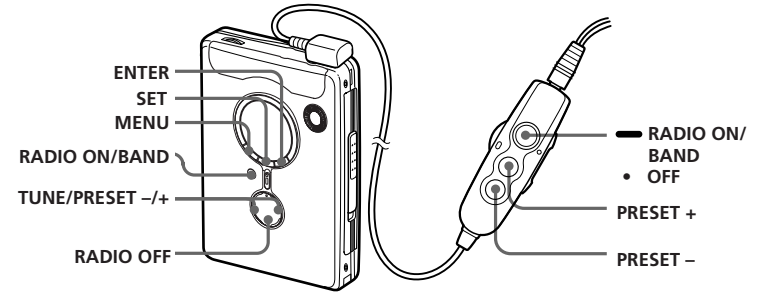
#### 要跳越长空白区 (BL SKIP\* 功能)

- 1 反复按 MENU 把显示窗中的 " " (光标) 设为 BL SKIP。
- 2 按 SET 以显示 " "。

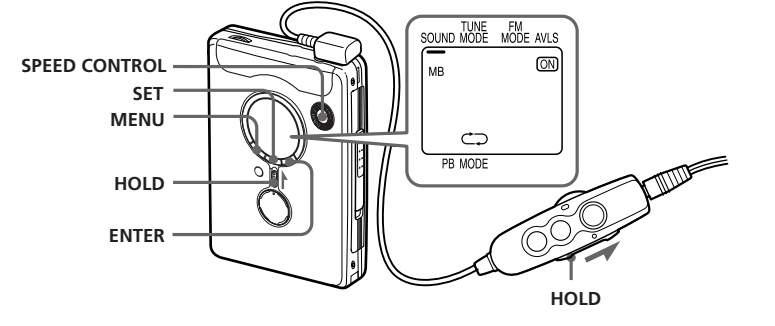
\* 当 BL SKIP 功能起作用时, 如果空白区时长超过 12 秒, 磁带将快进到下一首曲子。

(接反面)

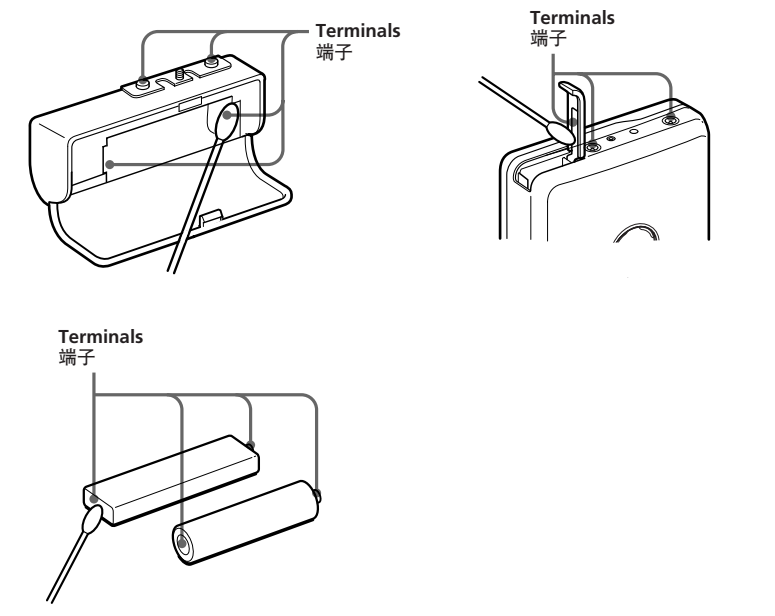
E



F



G



English

### Listening to the Radio

- Press RADIO ON/BAND to turn on the radio.
- Press RADIO ON/BAND repeatedly to select AM or FM.
- Press MENU on the main unit repeatedly and set the cursor in the display to TUNE MODE.
- For manual tuning
  - Press SET to choose MANUAL.
  - Press TUNE/PRESET + or – repeatedly to tune in to the desired station. Hold down TUNE/PRESET + or – for a few seconds to scan for stations.

**For preset tuning**  
 ① Press SET to choose PRESET.  
 ② Press TUNE/PRESET + or – repeatedly to recall the desired preset station.

To use preset tuning, preset stations first (see “Presetting Radio Stations”).  
 Press RADIO OFF.

**To improve the broadcast reception**

- For AM:** Reorient the unit itself.
- For FM:** Extend the remote control cord (antenna). If the reception is still not good, press MENU repeatedly to set the cursor in the display to FM MODE. Then press SET to choose from “MONO” (monaural), “LOCAL\*” or none (stereo) for best reception. \* Excluding European, Saudi Arabian, and Chinese models

**To operate from the remote control**

To turn on the radio, press RADIO ON/BAND•OFF for more than 1 second (while the tape is in stop mode only). To select the band, press RADIO ON/BAND•OFF for more than 1 second while the radio is on. To tune in or recall a preset station, press PRESET + or –. To turn off the radio, press RADIO ON/BAND•OFF.

- Press RADIO ON/BAND to turn on the radio.
- Press RADIO ON/BAND repeatedly to select AM or FM.
- Press ENTER.
- While the frequency digits are flashing, tune in to a station you wish to store using TUNE/PRESET + or – and press ENTER.

### Presetting Radio Stations

You can preset up to 30 stations—20 for FM and 10 for AM (for the JPN area\*, up to 16 stations—8 for FM and 8 for AM).

\* Only if available. See “Receiving Stations Outside Your Country/Region”.

### Presetting Automatically Scanned Stations

- Press RADIO ON/BAND to turn on the radio.
- Press RADIO ON/BAND repeatedly to select AM or FM.
- Press and hold ENTER for more than 3 seconds. Preset number 1 will flash in the display and the main unit starts scanning the stations from the lower frequencies and stops for about 5 seconds when a station is received.
- If you wish to preset the currently received station, press ENTER while the preset number is flashing.

The received station is preset on preset number 1 and the unit starts scanning for the next receivable station.

### To stop scanning

Press RADIO OFF. The radio is turned off at the same time.

### Notes

- If stations are already stored, the newly preset stations replace the old ones when the above procedure is completed.
- If stations cannot be preset automatically, preset them manually.

### Presetting Stations Manually

- Press RADIO ON/BAND to turn on the radio.
  - Press RADIO ON/BAND repeatedly to select AM or FM.
  - Press ENTER.
  - While the frequency digits are flashing, tune in to a station you wish to store using TUNE/PRESET + or – and press ENTER.
- The preset number will flash in the display.

- While the preset number is flashing, select the preset number you want using TUNE/PRESET + or – and press ENTER.

Notes

- If you cannot complete step 4 or 5 while the indicators are flashing, repeat from step 3.
- If a station is already stored, the new station replaces the old one.

### Playing the Preset Radio Stations

- Press RADIO ON/BAND to turn on the radio.
- Press RADIO ON/BAND repeatedly to select AM or FM.
- Press and hold ENTER for more than 3 seconds. Preset number 1 will flash in the display and the main unit starts scanning the stations from the lower frequencies and stops for about 5 seconds when a station is received.
- If you wish to preset the currently received station, press ENTER while the preset number is flashing.

Follow the procedure above and in step 4, select the preset number you want to cancel and then press ENTER. The frequency digits will flash in the display.

- Press and hold TUNE/PRESET + or –. The frequency digit starts running up or down. Keep holding down the button until “----” is displayed.
- Press ENTER while “----” is flashing. A preset number will flash in the display.
- Press ENTER to cancel the stored station.

### Scanning the Preset Radio Stations — DAPS (Digital Auto Preset Scanning)

- Press RADIO ON/BAND to turn on the radio.
- Press RADIO ON/BAND repeatedly to select AM or FM.
- Press and hold RADIO ON/BAND for 2 seconds or more.

The preset stations of the selected band will be played for about 5 seconds each. (During DAPS the indicators in the display flash.)

- Press MENU repeatedly to set the cursor in the display to PB MODE. Then press SET to select the desired mode.
- Press SET repeatedly to select the sound emphasis of your choice.

Notes

- If there are no stations stored, the DAPS function does not work.
- Until a station is selected in step 4, the DAPS function turned on in step 3 will continue.

### Receiving Stations Outside Your Country/Region (Excluding European, Saudi Arabian, and Chinese models)

- Press RADIO ON/BAND to turn on the radio.
- Press ENTER. The frequency digits will flash in the display.
- Press and hold RADIO ON/BAND until “Eur”, “USA” or “JPN” flashes.
- Press RADIO ON/BAND repeatedly to select “Eur”, “USA” or “JPN” and press ENTER.
- Tune in to and store stations as necessary following the procedure of “Listening to the Radio” and “Presetting Radio Stations”.

### Area indication and frequency range

Area*	Frequency range FM (MHz)	AM(kHz)
Eur	87.5 - 108	531 - 1 602
USA	87.5 - 108	530 - 1 710
JPN	76.0 - 90.0	531 - 1 710

\* Eur : European and other countries/regions  
 USA : USA, Canada, and Central and South America  
 JPN: Japan

### Locking the Controls — HOLD Function

Slide the HOLD switch in the direction of the arrow to lock the controls of the main unit (except SPEED CONTROL) or the remote control.

### Using the Menu

#### Adjusting Playback Modes

Press MENU repeatedly to set the cursor in the display to PB MODE. Then press SET to select the desired mode.

To play	Select
both sides repeatedly	
both sides once from the FWD side	

#### Emphasizing Sound

- Press MENU repeatedly to set the cursor in the display to SOUND.
  - Press SET repeatedly to select the sound emphasis of your choice.
- The indications change as follows:
- RV : Sound Revitalizer Emphasizes treble sound.
  - MB : Mega Bass Emphasizes bass sound (moderate effect).
  - GRV : Groove Emphasizes bass sound (strong effect).
  - no message : normal (no effect)

**Note**  
 If the sound is distorted with the mode “GRV”, turn down the volume of the main unit or select other modes.

### Protecting Your Hearing — AVLS (Automatic Volume Limiter System)

The maximum volume is kept down to protect your ears. Press MENU repeatedly in the playback, stop or radio mode to set the cursor in the display to AVLS. Then press SET to show “AV”.  
**To cancel the AVLS function**  
 Press SET so that “AV” disappears from the display on the main unit.

### Using Other Functions

#### Adjusting the Tape Playback Speed

You can adjust the playback speed using SPEED CONTROL. Turn SPEED CONTROL to: – (slow) to play back at a slower speed. Center position to play back at normal speed. + (fast) to play back at a faster speed.

#### Locking the Controls — HOLD Function

Slide the HOLD switch in the direction of the arrow to lock the controls of the main unit (except SPEED CONTROL) or the remote control.

### Precautions

#### On charging

- The supplied charging stand can be used only with this unit. No other model can be charged using this stand.
- Remove the AC power adaptor from the wall outlet as soon as possible after the rechargeable battery has been charged. Overcharging may damage the rechargeable battery.
- The charging stand and the rechargeable battery may become warm during charging, but this is not a problem.
- Do not tear off the film on the rechargeable battery.
- Use only the supplied charging stand to charge the supplied rechargeable battery.
- Be sure not to short-circuit the battery. When you carry it with you, use the supplied carrying case. If you are not using the case, do not carry the battery with other metallic objects such as keys, rings in your pocket.
- If the rechargeable battery is new or has not been used for a long time, it may not be charged completely until you use it several times.

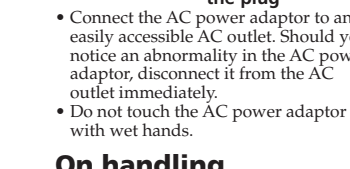
RV : Clean the exterior, use a soft cloth slightly moistened in water. Do not use alcohol, benzine or thinner.  
 MB : Clean the headphones/earphones and remote control plugs periodically.  
 GRV : Clean the battery case terminals (both inside and outside) and the terminals periodically with a cotton swab or soft cloth as illustrated.

On batteries

- Do not charge a dry battery.
- Do not carry the dry or rechargeable batteries with coins or other metallic objects. It can generate heat if the positive and negative terminals of the batteries are accidentally contacted by a metallic object.
- When you are not going to use the main unit for a long time, remove the battery to prevent any damage from battery leakage and corrosion.

### On AC power adaptor

- Use only the supplied AC power adaptor (for charging stand). Do not use any other AC power adaptor.



- Connect the AC power adaptor to an easily accessible AC outlet. Should you notice an abnormality in the AC power adaptor, disconnect it from the AC outlet immediately.
- Do not touch the AC power adaptor with wet hands.

### On handling

- Do not leave the unit in a location near heat sources, or in a place subject to direct sunlight, excessive dust or sand, moisture, rain, mechanical shock, or in a car with its windows closed.
- We do not recommend the use of tape longer than 90 minutes. They are very thin and tend to be stretched easily. This may cause malfunction of the unit or sound deterioration.
- The LCD display may become hard to see or slow down when using the unit at high temperatures (above 40°C/104°F) or at low temperatures (below 0°C/32°F). At room temperature, the display will return to its normal operating condition.
- If the unit has not been used for long, set it in the playback mode to warm up for a few minutes before you start using again.

### On the remote control

Use the supplied remote control only with this unit.

### On headphones/earphones

Do not use headphones/earphones while driving, cycling, or operating any motorized vehicle. It may create a traffic hazard and is illegal in some areas. It can also be potentially dangerous to play your headphones/earphones at high volume while walking, especially at pedestrian crossings. You should exercise extreme caution or discontinue use in potentially hazardous situations.

### Preventing hearing damage

Do not use headphones/earphones at high volume. Hearing experts advise against continuous, loud and extended play. If you experience a ringing in your ears, reduce volume or discontinue use.

### Caring for others

Keep the volume to a moderate level. This will allow you to hear outside sounds and to be considerate to the people around you.

### On maintenance

- Clean the tape head and tape path, using a cotton swab and commercially available cleaning solvent after every 10 hours of use.
- To clean the exterior, use a soft cloth slightly moistened in water. Do not use alcohol, benzine or thinner.
- Clean the headphones/earphones and remote control plugs periodically.
- Clean the battery case terminals (both inside and outside) and the terminals periodically with a cotton swab or soft cloth as illustrated.

### Troubleshooting

#### The sound drops out or comes with excessive noise.

- Clean the headphones/earphones and remote control plugs.

#### The unit does not operate at all.

- Charge the battery or replace the dry battery with a new one.
- HOLD is activated. Deactivate HOLD.

#### Tape operation is not possible.

- Insert a cassette tape.

#### The volume cannot be turned up.

- If AVLS is on, turn it off.

#### The display and the operations are not normal.

- Remove the power sources for 15 seconds or more, and then set them again.

### Specifications

#### Radio section

**Frequency range**  
 FM: 76.0 - 90.0 MHz (Japan)  
 87.5 - 108 MHz (other countries/regions)  
 AM: 531 - 1 710 kHz (Japan)  
 530 - 1 710 kHz (North, Central, and South America)  
 531 - 1 602 kHz (other countries/regions)

#### Tape section

**Frequency response**  
 Playback: 40 - 15 000 Hz  
**Output**  
 Headphones (⊘) jack  
 Load impedance 8 - 300 Ω

#### General

**Power requirements**  
 1.5 V  
 Rechargeable battery  
 One R6 (size AA) battery  
**Dimensions (w/h/d)**  
 Approx. 77.1 × 108.0 × 22.5 mm  
 (3¼ × 4¼ × ⅞ inches) excl. projecting parts and controls

#### Supplied accessories

- AC power adaptor (1), Battery case (1) Stereo headphones or earphones with remote control (1), Charging stand (1) Rechargeable battery (NH-10WM, 1.2 V, 900 mAh (min), Ni-MH) (1) Rechargeable battery carrying case (1) Carrying pouch (1) AC plug adaptor (1) (Saudi Arabian model only)

Design and specifications are subject to change without notice.

中文

### 听收音机

- 按 RADIO ON/BAND 打开收音机。
- 反复按 RADIO ON/BAND 选择 AM 或 FM。
- 反复按主机关上的 MENU，将显示窗中的光标设为 TUNE MODE。
- 要手动调台时
  - 按 SET 选 MANUAL。
  - 反复按 TUNE/PRESET + 或 – 调入所要的电台。按住 TUNE/PRESET + 或 – 数秒以扫描电台。

要预设电台时  
 ① 按 SET 选 PRESET。  
 ② 反复按 TUNE/PRESET + 或 – 选出所要的预设电台。

要使用预设调谐时，请先预设电台（参见“预设电台”）。

### 要关掉收音机时

按 RADIO OFF 键。

### 要改善广播接收效果时

- 收听 AM 节目时：调转本机方位。
- 收听 FM 节目时：请拉长遥控器导线（天线）。如果接收效果仍不好，请反复按 MENU 将显示窗中的光标设为 FM MODE，然后按 SET 从 “MONO”（单耳声）、“LOCAL\*” 或无（立体声）方式中进行选择以获最佳接收效果。

### 要从遥控器进行操作时

要打开收音机时，请按 RADIO ON/BAND•OFF 1 秒以上（限当录音带处于停止状态时）。  
 要选择波段时，请在打开收音机时，按下 RADIO ON/BAND•OFF 1 秒以上。  
 要关掉收音机时，请按 RADIO ON/BAND•OFF。

### 预设电台

您可以预设多达 30 个电台—20 个 FM 台, 10 个 AM 台。（在 JPN 地区\*，最多可以预设 16 个台—8 个 FM 台, 8 个 AM 台）。

#### 自动地预设扫描的电台

- 按 RADIO ON/BAND 打开收音机。
- 反复按 RADIO ON/BAND 选择 AM 或 FM。
- 按 ENTER 3 秒钟以上。预设号 1 将在显示屏上闪烁。主机开始从低频段扫描电台，在接收到电台时停止约 5 秒钟。
- 如果您要预设接收到的电台，请在预设号闪烁着时按 ENTER。

接收到的电台即被预设于预设号 1。本机将开始扫描下一个可接收的电台。

- 重复步骤 4 直至所有可接收电台均被预设。

### 停止扫描

- 按 RADIO OFF，收音机将同时关掉电源。
- 如果已预设了电台，当完成上述步骤时，新预设的电台将取代原有的电台。
- 如果电台不能自动预设，请用手动预设电台。

### 手动预设电台

- 按 RADIO ON/BAND 打开收音机。
- 反复按 RADIO ON/BAND 选择 AM 或 FM。
- 按 ENTER。显示窗中即闪烁着频率数字。
- 当频率数字闪烁时，请用 TUNE/PRESET + 或 – 键调入您想存储的电台。按 ENTER。显示窗中即将闪烁着预设号。
- 当预设号闪烁时，请用 TUNE/PRESET + 或 – 选择所要预设号并按 ENTER。

### 注

- 如果上述指示闪烁时您不能完成步骤 4 或步骤 5，请从步骤 3 开始重复操作。
- 如果已存储有电台，新电台即将取代原有的电台。

播放预设电台

- 按 RADIO ON/BAND 打开收音机。
- 反复按 RADIO ON/BAND 选择 AM 或 FM。
- 反复按 MENU，将显示窗中的光标设定于 TUNE MODE，然后按 SET 以显示“PRESET”。
- 按 TUNE/PRESET + 或 –。

### 要取消所储存的电台时

- 按照上述方法而在步骤 4 里选择所要取消的预设号，然后按 ENTER。显示窗中即闪烁着频率数字。
- 按住 TUNE/PRESET + 或 –，频率数开始增大或减小。按住该键至显示了“----”。
- 当闪烁着“----”时按 ENTER。显示窗中即闪烁着预设号。
- 按 ENTER 以取消所储存的电台。

### 扫描预设电台 — DAPS (Digital Auto Preset Scanning)

- 按 RADIO ON/BAND 打开收音机。
- 反复按 RADIO ON/BAND 选择 AM 或 FM。
- 按住 RADIO ON/BAND 2 秒以上。所选波段的预设电台即各播放大约 5 秒。（在 DAPS 当中，显示窗中将闪烁着指示灯。）
- 当播放着所要预设电台时，再按一次 RADIO ON/BAND 以选择电台。

### 注

- 如果没储存电台，DAPS 功能将不起作用。
- 步骤 3 里的 DAPS 功能将继续打开着—直到在步骤 4 里已选择了电台为止。

- 如果没储存电台，DAPS 功能将不起作用。
- 步骤 3 里的 DAPS 功能将继续打开着—直到在步骤 4 里已选择了电台为止。

指示灯改变如下：  
 RV : Sound Revitalizer（声音再生器）  
 增强高音。  
 MB : Mega Bass（强低音）  
 增强低音（中等效果）  
 GRV : Groove（最佳状态）  
 增强低音（强烈效果）  
 无信息：普通（无效果）。

### 注

- 如果上述指示闪烁时您不能完成步骤 4 或步骤 5，请从步骤 3 开始重复操作。
- 如果已存储有电台，新电台即将取代原有的电台。

### 接收别的国家/地区的电台（欧洲、沙特阿拉伯和中国型号除外）

- 按 RADIO ON/BAND 打开收音机。
- 按 ENTER 键。频率数字将闪烁于显示窗中。
- 反复按 RADIO ON/BAND 直到“Eur”，“USA”或“JPN”闪烁。
- 反复按 RADIO ON/BAND 选择“Eur”，“USA”或“JPN”并按 ENTER 键。
- 按照“听收音机”和“预设电台”的步骤操作，调入并储存所要的电台。

### 地区指示和频率范围

地区*	频率范围 FM (MHz)	AM (kHz)
Eur	87.5 - 108	531 - 1 602
USA	87.5 - 108	530 - 1 710
JPN	76.0 - 90.0	531 - 1 710

\* Eur : 欧洲和其他国家/地区  
 USA : 美国、加拿大和中南美  
 JPN: 日本

### 使用项目单

**调整收音方式**  
 请反复按 MENU 把显示器中的光标设定于 PB MODE，然后按 SET 以选择所要模式。

要	请选择
反复放双面	
从 FWD 面放一次双面	

### 增强声音

- 反复按 MENU 把显示窗中的光标设定于 SOUND。
  - 反复按 SET 以选择所喜欢的声加强模式。
- 指示灯改变如下：  
 RV : Sound Revitalizer（声音再生器）  
 增强高音。  
 MB : Mega Bass（强低音）  
 增强低音（中等效果）  
 GRV : Groove（最佳状态）  
 增强低音（强烈效果）  
 无信息：普通（无效果）。

### 注

- 如果上述指示闪烁时您不能完成步骤 4 或步骤 5，请从步骤 3 开始重复操作。
- 如果已存储有电台，新电台即将取代原有的电台。

### 保护您的听觉 — AVLS (自动音量限制系统)

限制最大音量以保护听力。  
 在播放、停止或收音模式中，反复按 MENU 把显示窗中的光标设为 AVLS。然后按 SET 显示“AV”。

### 要取消 AVLS 功能

按 SET 使“AV”从主机显示窗中消失。

### 利用其他功能

#### 调节磁带播放速度

可以使用 SPEED CONTROL 调节播放速度。转动 SPEED CONTROL 到：  
 –（慢）以较慢的速度播放。  
 中央位置以正常速度播放。  
 +（快）以较快的速度播放。

#### 锁定控制按钮 — HOLD 功能

按箭头方向滑动 HOLD 开关以锁定主机（SPEED CONTROL 除外）或遥控器控制钮。

### 充电须知

- 附带的充电座只能用于本装置，别的型号是不能用此充电座充电的。
- 充电式电池充满电时，即应速从墙上电源插座卸下充电器。因为过度的充电可能会损坏充电式电池。
- 进行充电中，充电座和充电式电池都可能